



US00D727687S

(12) **United States Design Patent**
De Giorgio

(10) **Patent No.:** **US D727,687 S**

(45) **Date of Patent:** **** Apr. 28, 2015**

(54) **BOTTLE BASKET OF A DECANTING CRADLE**

(75) Inventor: **Carmelino De Giorgio**, Ebikon (CH)

(73) Assignee: **Officina Gourmet GmbH**, Lucerne (CH)

(**) Term: **14 Years**

(21) Appl. No.: **29/411,269**

(22) Filed: **Jan. 18, 2012**

(30) **Foreign Application Priority Data**

Jul. 19, 2011 (CH) 138209

(51) **LOC (10) Cl.** **07-06**

(52) **U.S. Cl.**
USPC **D7/589**

(58) **Field of Classification Search**
USPC D7/589, 621, 314, 622, 601-603, 607, D7/608, 620, 619.1, 642.3, 605, 704, 536; 248/139, 133, 141, 146, 138; 222/166, 222/91; 211/81, 74, 85.4, 75, 85.18, 85.22; 215/399; 210/515; 141/64, 45; 362/101, 802; 206/139; D9/710, 702, D9/705, 707

See application file for complete search history.

(56) **References Cited**

U.S. PATENT DOCUMENTS

1,249,341 A * 12/1917 Cropsey 248/139
D102,904 S * 1/1937 Karsh D7/314
D233,723 S * 11/1974 Gutierrez D7/704
3,868,047 A * 2/1975 Bersano 222/166
D257,935 S * 1/1981 Allan D7/621

D261,345 S * 10/1981 Koepfel et al. D7/621
D262,085 S * 12/1981 Petley D7/621
4,317,551 A * 3/1982 Bishop 248/141
4,836,476 A * 6/1989 Wolf 248/146
6,425,421 B1 * 7/2002 Morrison 141/64
7,708,241 B2 * 5/2010 Wiemholt 248/138
8,496,139 B2 * 7/2013 Nishino 222/91

OTHER PUBLICATIONS

Carmelino De Giorgio, "Base portion of a decanting cradle", Design U.S. Appl. No. 29/411,266, filed Jan. 18, 2012.

Carmelino De Giorgio, "Base portion of a decanting cradle", Design U.S. Appl. No. 29/411,267, filed Jan. 18, 2012.

Carmelino De Giorgio, "Bottle basket portion of a decanting cradle", Design U.S. Appl. No. 29/411,268, filed Jan. 18, 2012.

* cited by examiner

Primary Examiner — Brandon M Rosati

(74) *Attorney, Agent, or Firm* — Smartpat PLC; Axel Nix

(57) **CLAIM**

I claim the ornamental design for a bottle basket of a decanting cradle, as shown and described.

DESCRIPTION

FIG. 1 is a perspective top, rear and left side view of a bottle basket of a decanting cradle showing my new design;

FIG. 2 is a left side elevational view thereof, the right side being a mirror image;

FIG. 3 is a front elevational view thereof;

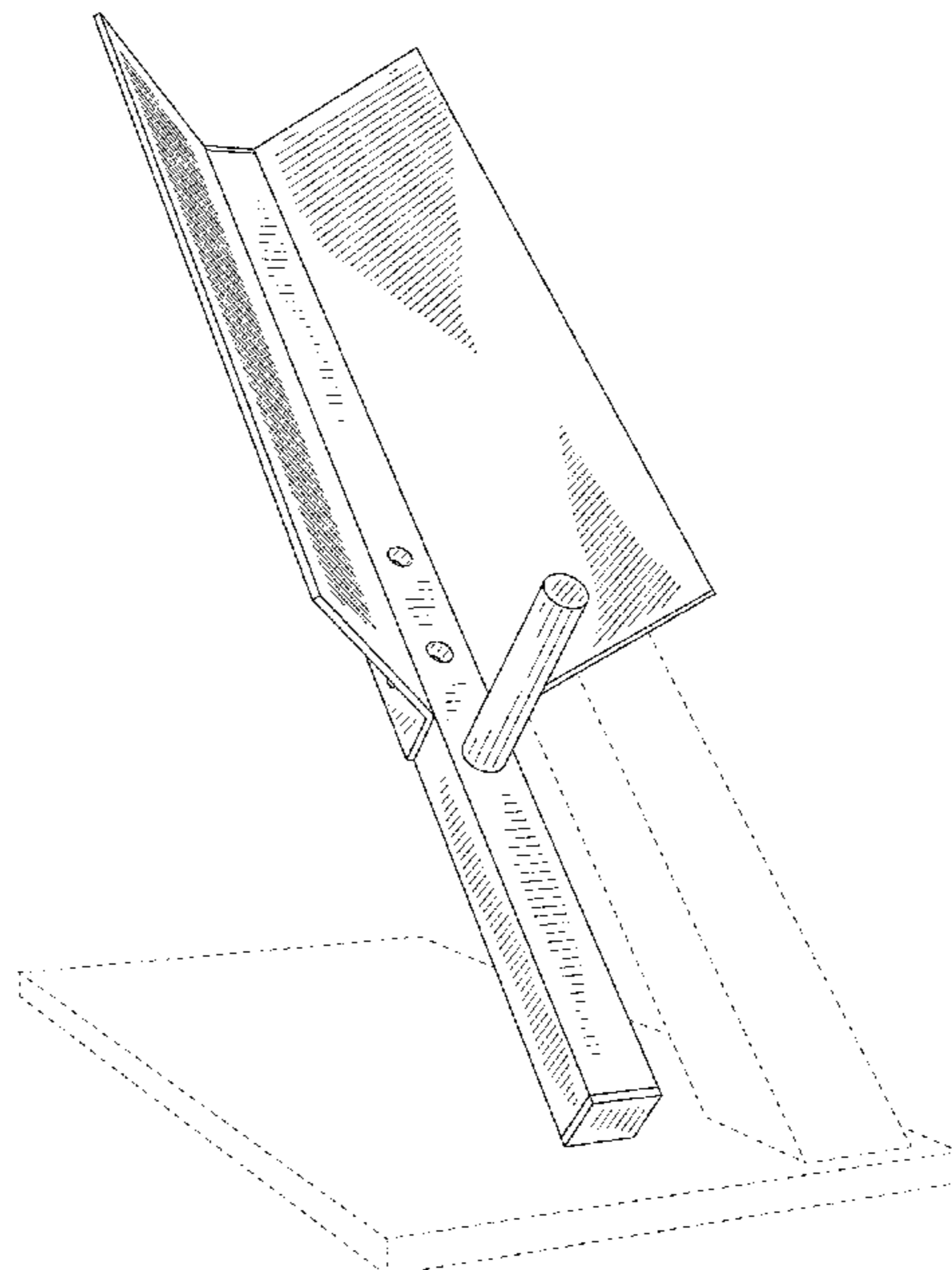
FIG. 4 is a rear elevational view thereof;

FIG. 5 is a top plan view thereof; and,

FIG. 6 is a bottom plan view thereof.

The base portion of the decanting cradle is shown in broken lines for environmental purposes only and forms no part of the claimed design.

1 Claim, 5 Drawing Sheets



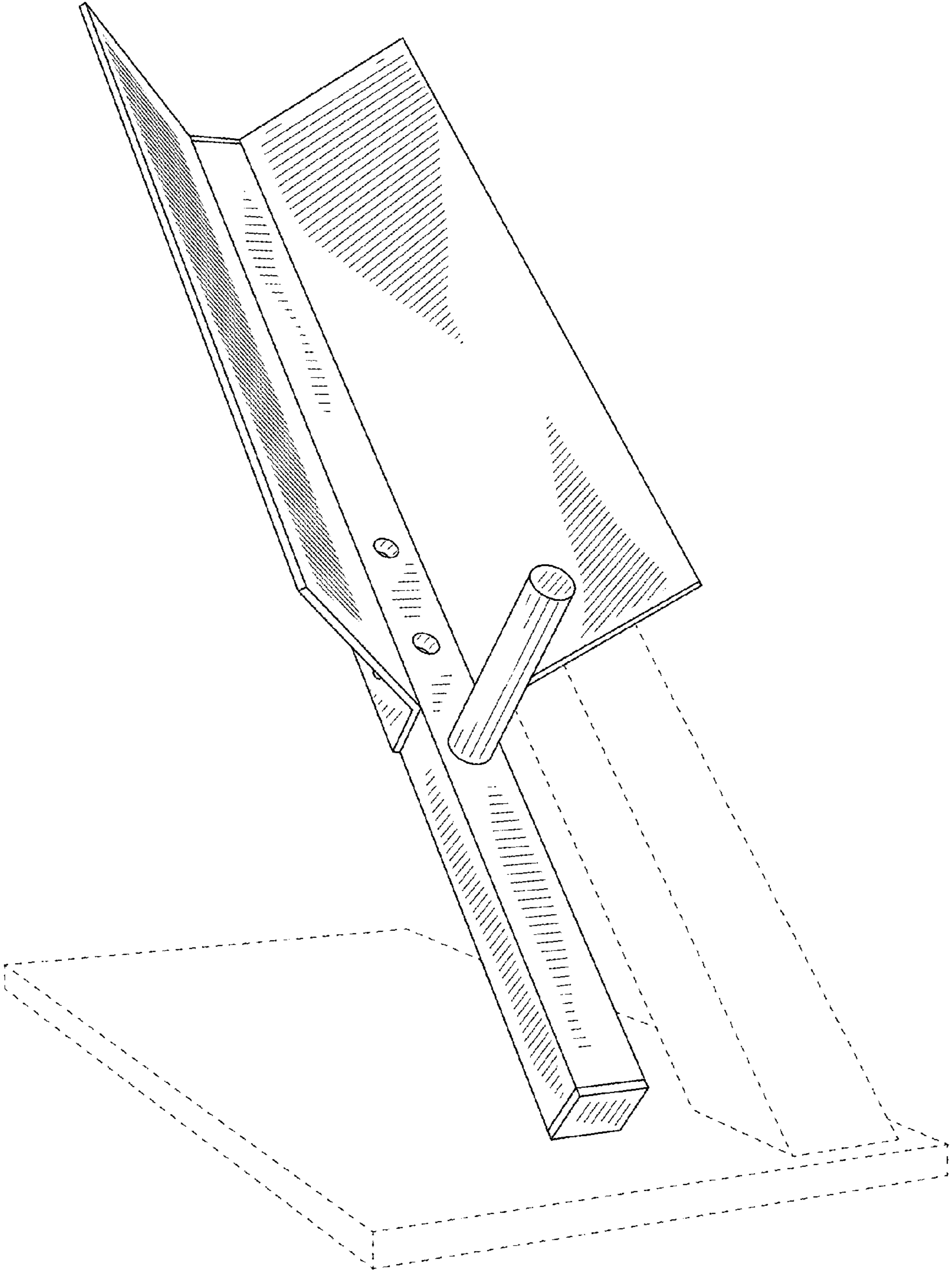


FIG. 1

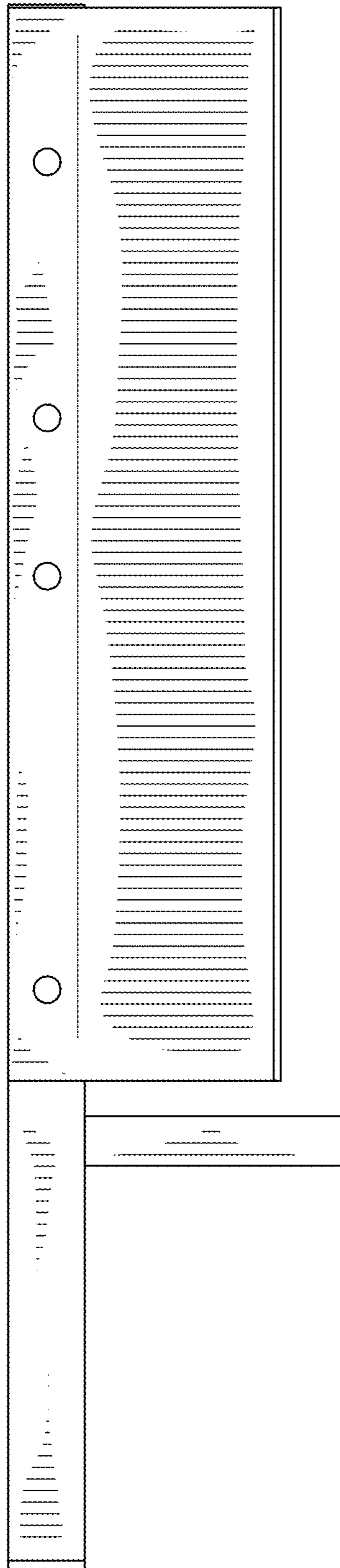


FIG. 2

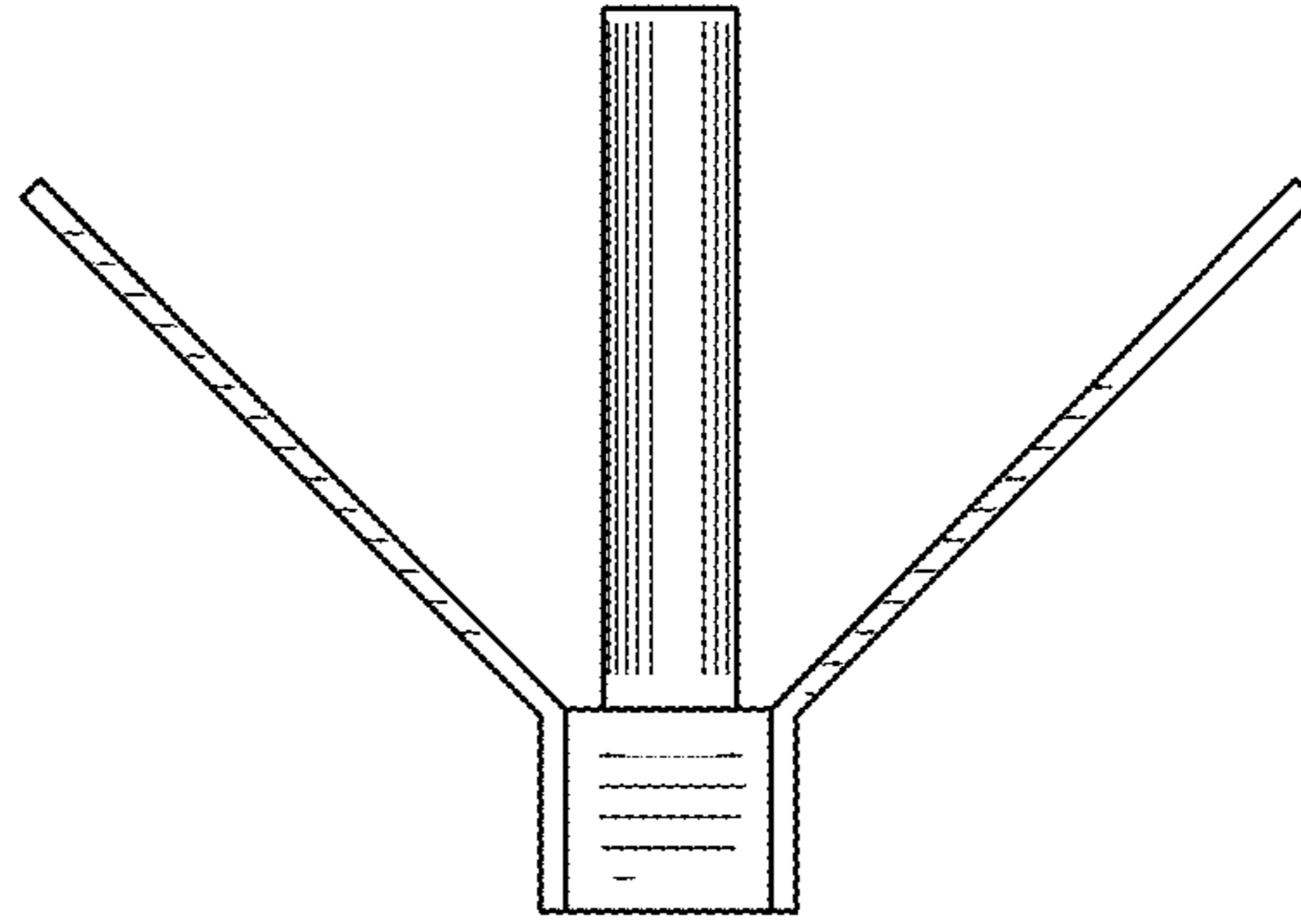


FIG. 3

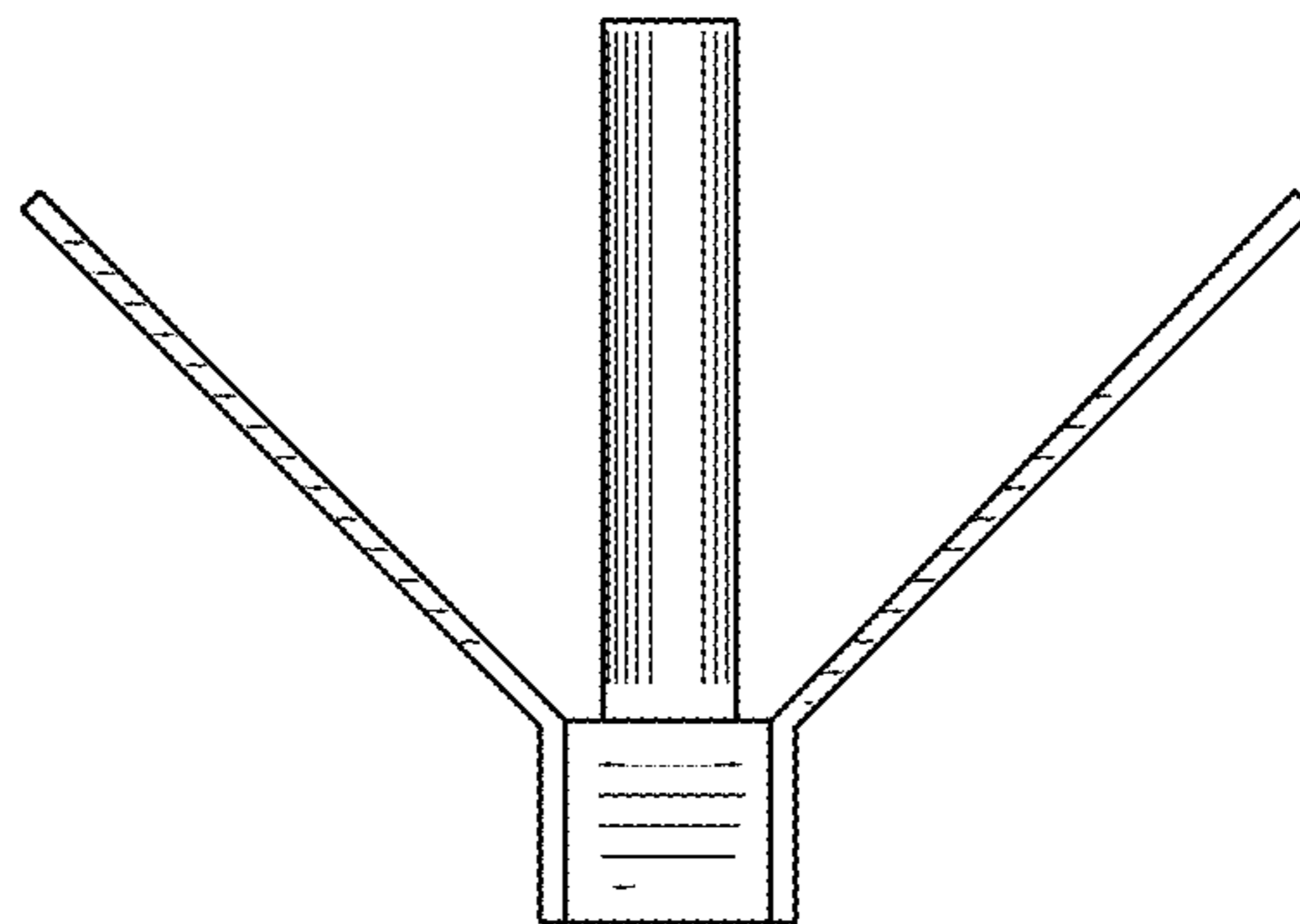


FIG. 4

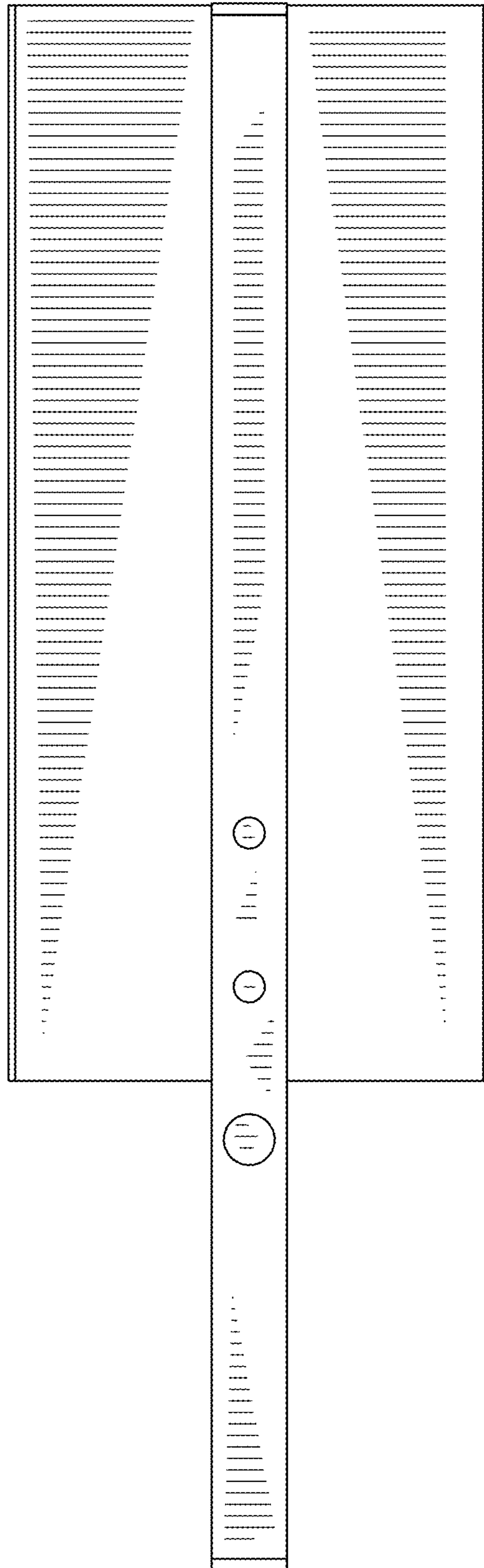


FIG. 5

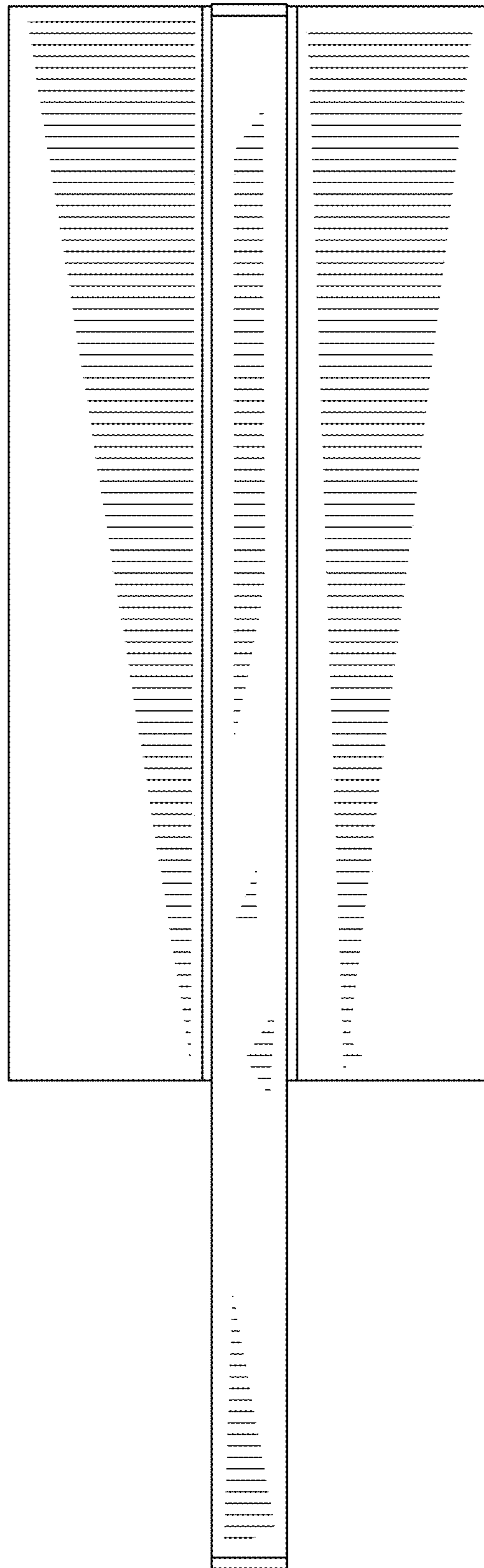


FIG. 6