



US00D727685S

(12) **United States Design Patent**
He

(10) **Patent No.:** **US D727,685 S**
(45) **Date of Patent:** **** Apr. 28, 2015**

(54) **BOTTLE**

(71) Applicant: **Shanghai Hongchen Household Wares Co., Ltd., Shanghai (CN)**

(72) Inventor: **Junliang He, Shanghai (CN)**

(73) Assignee: **Shanghai Hongchen Household Wares Co., Ltd., Shanghai (CN)**

(**) Term: **14 Years**

(21) Appl. No.: **29/478,824**

(22) Filed: **Jan. 8, 2014**

(30) **Foreign Application Priority Data**

Aug. 12, 2013 (CN) 2013 3 0384043

(51) **LOC (10) Cl.** **07-01**

(52) **U.S. Cl.**
USPC **D7/510; D7/511; D7/536; D7/608**

(58) **Field of Classification Search**
CPC **A47G 19/22; A47G 19/2205; A47G 19/2211; A47G 19/2216; A47G 19/2222; A47G 19/2227**

USPC **D7/509-515, 650, 649, 653, 504, 523, D7/543, 525, 533, 535, 538, 560, 584, 300, D7/300.1, 300.2, 305, 600, 602, 705, D7/619.1, 393, 394, 396.2, 900, 387, 400, D7/318, 319, 536, 608; D9/501, 503, 504, D9/517, 523, 530, 436, 449, 522, 526, 420, D9/434, 516, 435, 443, 446; 220/713, 715, 220/703, 254.9, 262; D24/122, 197, 198, D24/199; 206/216, 217**

See application file for complete search history.

(56) **References Cited**

U.S. PATENT DOCUMENTS

D326,624 S * 6/1992 Cowan D11/19
D474,376 S * 5/2003 Kitamura et al. D7/608

D489,281 S * 5/2004 Hill D11/3
D548,075 S * 8/2007 Mavin et al. D9/435
D572,078 S * 7/2008 Bhavnani D7/392.1
D572,981 S * 7/2008 Carreno D7/608
D586,183 S * 2/2009 Junkel D7/511
D604,561 S * 11/2009 Chisholm D7/510
D611,355 S * 3/2010 Kim et al. D9/540
D611,765 S * 3/2010 George D7/510
D621,220 S * 8/2010 Lown et al. D7/510
D651,044 S * 12/2011 Gilbert D7/510
D655,172 S * 3/2012 Brooks et al. D9/522
D655,581 S * 3/2012 Kotani D7/608
D658,446 S * 5/2012 George D7/608
D660,082 S * 5/2012 Wahl D7/510
D660,648 S * 5/2012 Gilbert D7/510
D672,648 S * 12/2012 Goto et al. D9/443
D673,459 S * 1/2013 Moran, Sr. D9/608
D674,662 S * 1/2013 Huang D7/510
8,371,244 B2 * 2/2013 Krasner 119/72.5
D682,017 S * 5/2013 Smiedt et al. D7/392.1
D682,041 S * 5/2013 Moran, Sr. D7/608
D688,538 S * 8/2013 Nguyen et al. D7/709

(Continued)

Primary Examiner — Marianne Pandozzi

Assistant Examiner — Jae Liang

(74) *Attorney, Agent, or Firm* — Tianhua Gu; Global IP Services

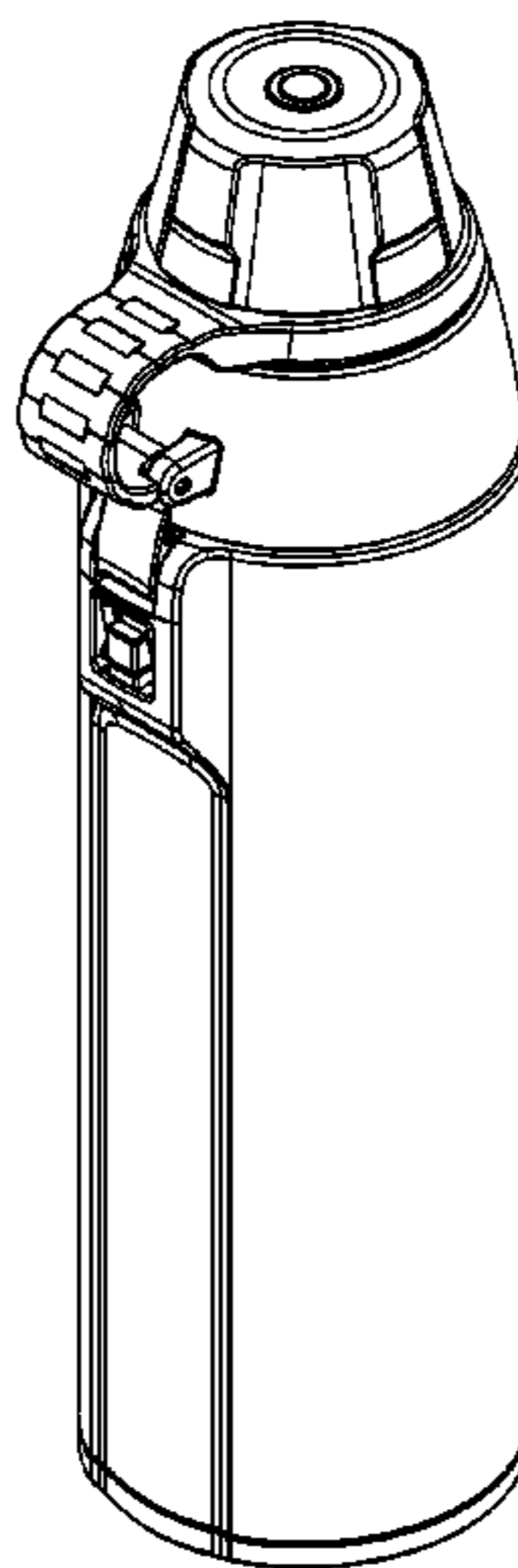
(57) **CLAIM**

The ornamental design for a bottle, as shown and described.

DESCRIPTION

FIG. 1 is a front elevation view of a bottle showing my new design;
FIG. 2 is a rear elevation view thereof;
FIG. 3 is a left side elevation view thereof;
FIG. 4 is a right side elevation view thereof;
FIG. 5 is a top plan view thereof;
FIG. 6 is a bottom plan view thereof; and,
FIG. 7 is a left perspective view thereof.

1 Claim, 4 Drawing Sheets



US D727,685 S

Page 2

(56)

References Cited

U.S. PATENT DOCUMENTS

D690,556 S * 10/2013 Boroski D7/510
D699,516 S * 2/2014 Kim et al. D7/510

D699,996 S * 2/2014 De Leo D7/300.1
D700,802 S * 3/2014 Miller D7/392.1
D702,092 S * 4/2014 Mettler et al. D7/608
2009/0236341 A1* 9/2009 McKinney et al. 220/375

* cited by examiner

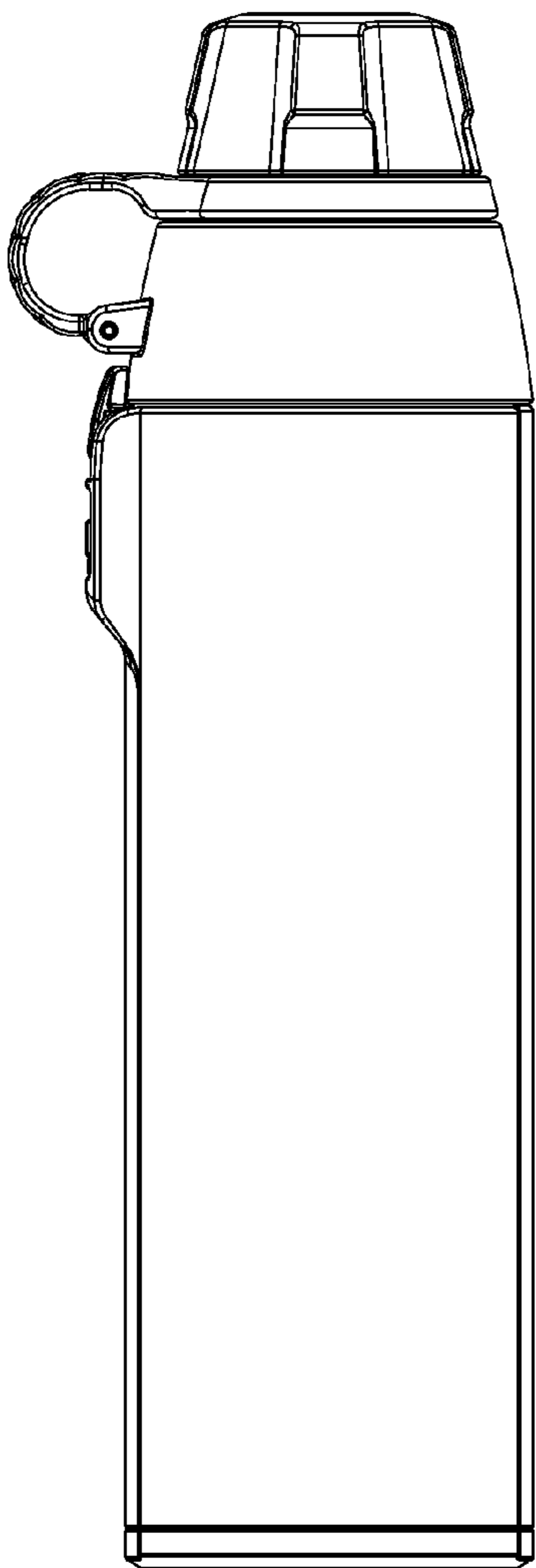


Fig. 1

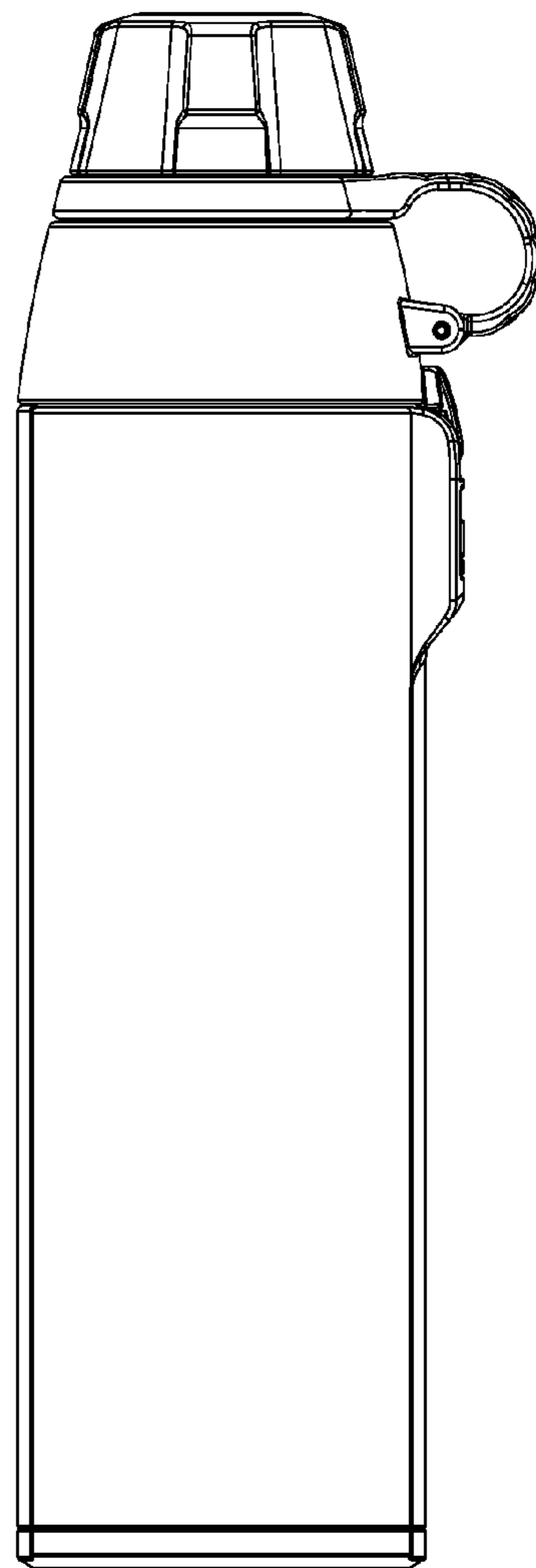


Fig. 2

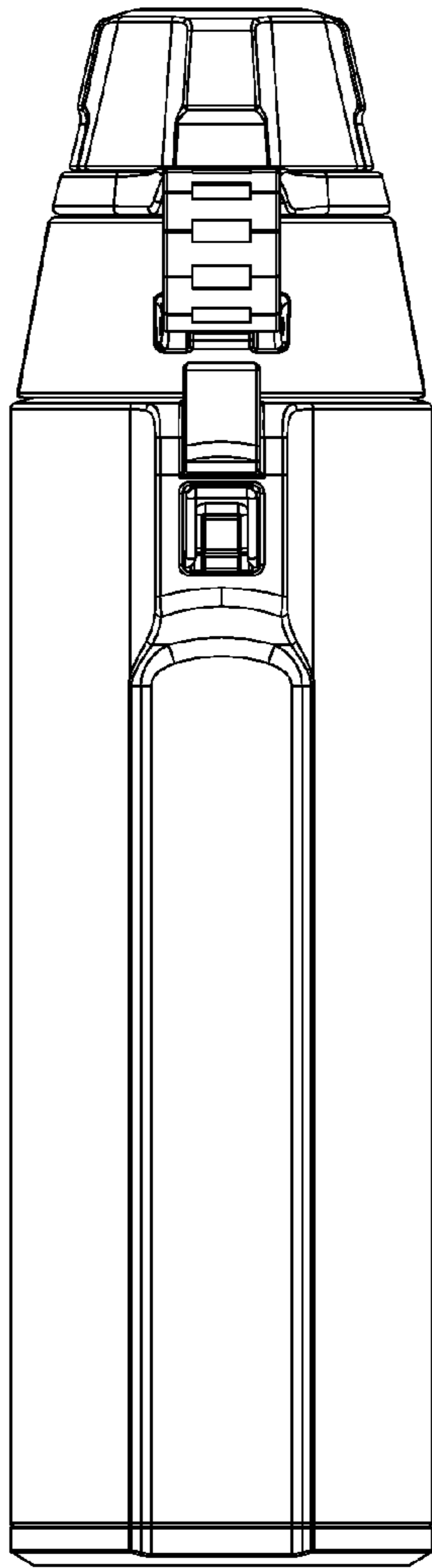


Fig. 3

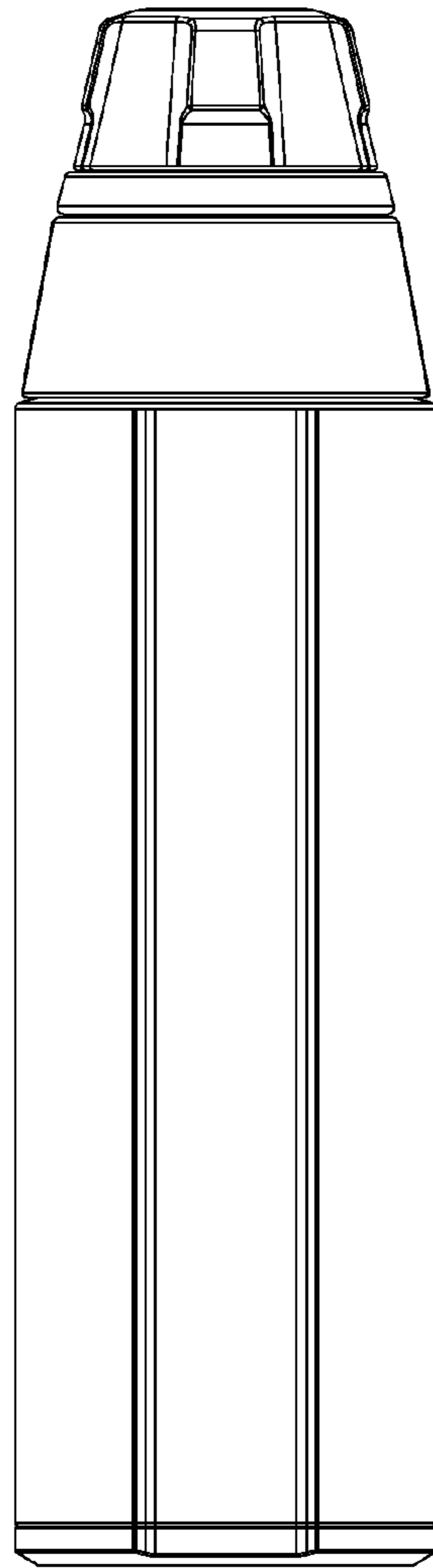


Fig. 4

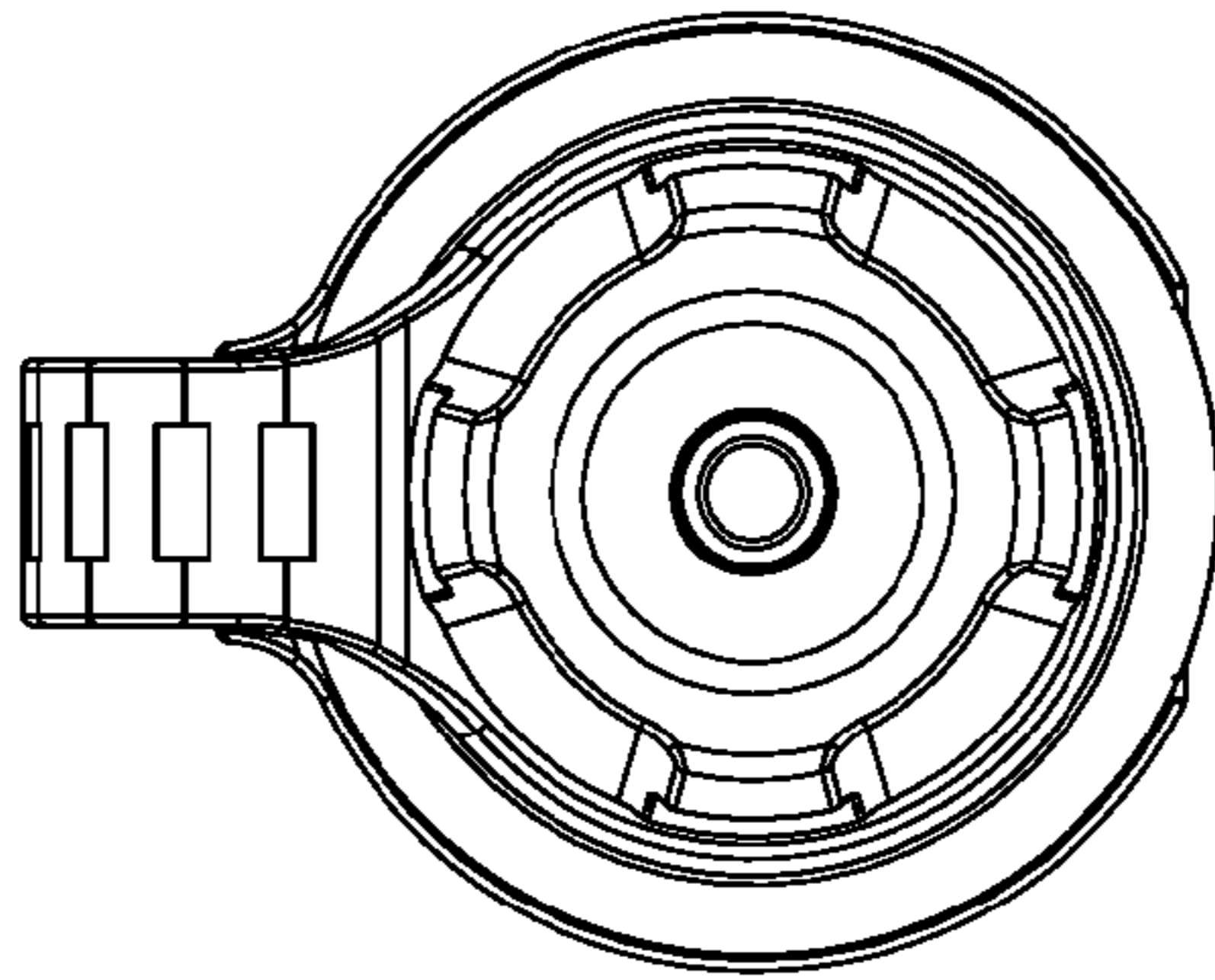


Fig. 5

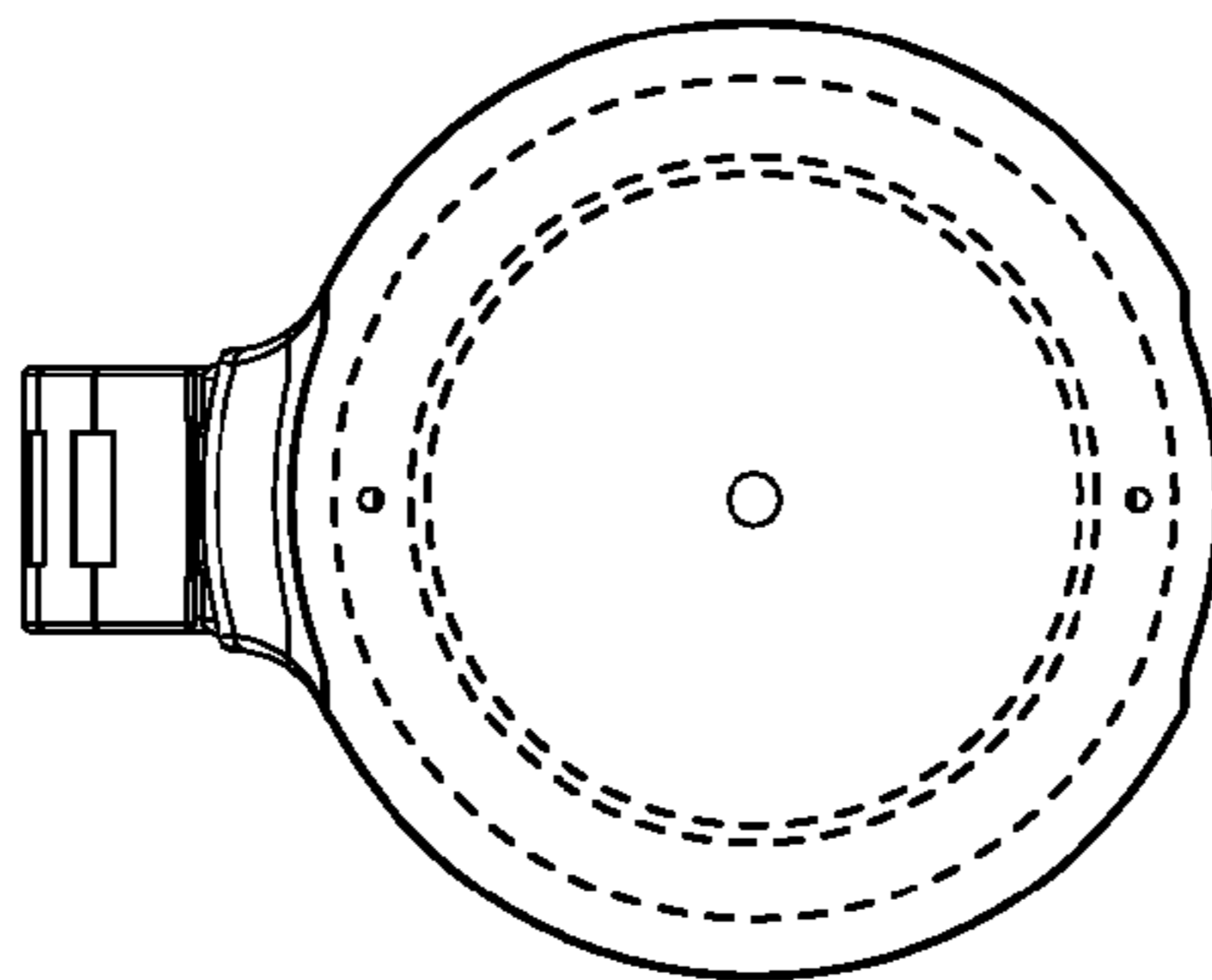


Fig. 6

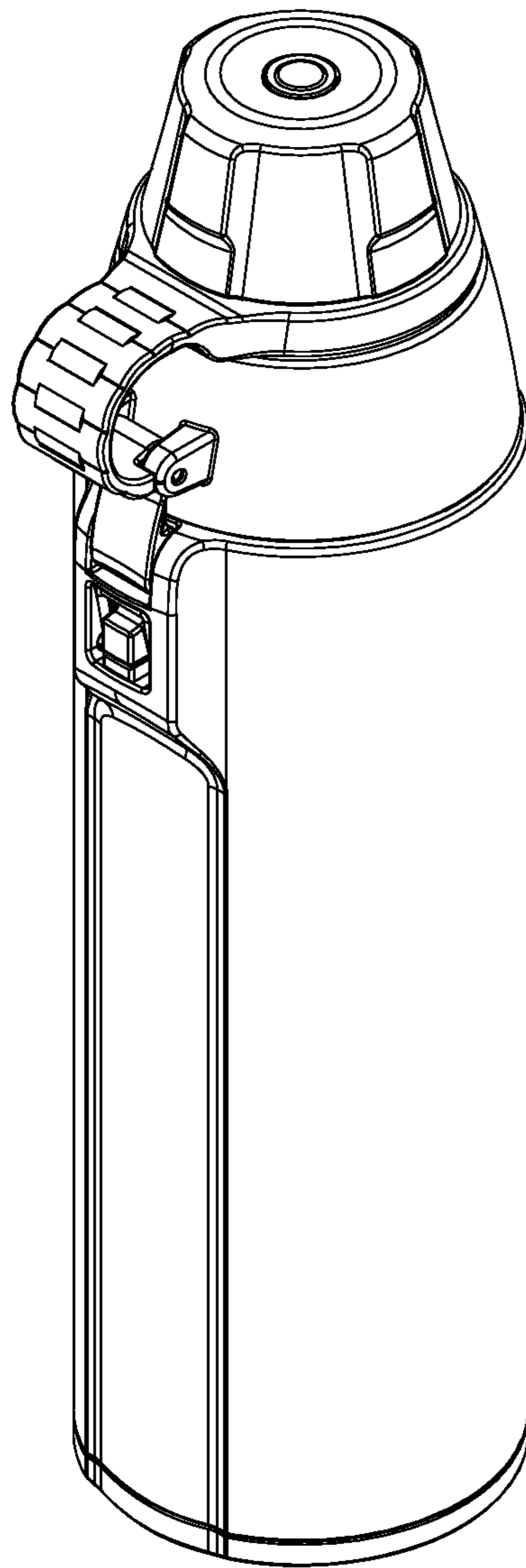


Fig. 7