



US00D727683S

(12) **United States Design Patent**  
**Schmidt**

(10) **Patent No.:** **US D727,683 S**

(45) **Date of Patent:** **\*\* Apr. 28, 2015**

(54) **COMBINED CUP AND SAUCER**

(71) Applicant: **Holdrog AG**, Samen (CH)

(72) Inventor: **Barbara Schmidt**, Berlin (DE)

(73) Assignee: **Kahla Thüringen Porzellan GmbH**  
(DE)

(\*\*) Term: **14 Years**

(21) Appl. No.: **29/437,458**

(22) Filed: **Nov. 16, 2012**

(30) **Foreign Application Priority Data**

May 16, 2012 (EM) ..... 002042499-0005

(51) **LOC (10) Cl.** ..... **07-01**

(52) **U.S. Cl.**  
USPC ..... **D7/507**

(58) **Field of Classification Search**

USPC ..... D3/202; D7/305, 314, 361, 392.1,  
D7/396.2, 505, 507, 509, 510, 511, 523,  
D7/528, 532, 533, 536, 586; D9/780;  
220/703, 705, 710, 713

See application file for complete search history.

(56) **References Cited**

**U.S. PATENT DOCUMENTS**

|           |     |         |           |       |         |
|-----------|-----|---------|-----------|-------|---------|
| 2,770,956 | A * | 11/1956 | Achtziger | ..... | 215/10  |
| 3,762,591 | A * | 10/1973 | Gray      | ..... | 215/393 |
| D313,921  | S * | 1/1991  | Unger     | ..... | D7/509  |
| D406,012  | S * | 2/1999  | Indekeu   | ..... | D7/536  |
| D445,646  | S * | 7/2001  | Indekeu   | ..... | D7/536  |
| D482,239  | S * | 11/2003 | Bodum     | ..... | D7/536  |
| D518,999  | S * | 4/2006  | Laib      | ..... | D7/536  |
| D549,523  | S * | 8/2007  | Montes    | ..... | D7/536  |
| D552,931  | S * | 10/2007 | Bodum     | ..... | D7/536  |
| D561,537  | S * | 2/2008  | Schosser  | ..... | D7/536  |

(Continued)

*Primary Examiner* — Robert M Spear

*Assistant Examiner* — Marissa J Cash

(74) *Attorney, Agent, or Firm* — Mayback & Hoffman, P.A.;  
Gregory L. Mayback

(57) **CLAIM**

I claim the ornamental design for a combined cup and saucer,  
as shown and described.

**DESCRIPTION**

FIG. 1 is a top right front perspective view of a combined cup  
and saucer showing my new design;

FIG. 2 is a perspective view of the combined cup and saucer  
of FIG. 1 with the cup on its side;

FIG. 3 is a perspective view of the cup of FIG. 1 from above  
a front side thereof;

FIG. 4 is a perspective view of the cup of FIG. 1 from above  
a side opposite the front side;

FIG. 5 is a perspective view of the cup of FIG. 1 from above  
a handle side;

FIG. 6 is a perspective view of the cup of FIG. 1 from above  
a side opposite the handle side;

FIG. 7 is a perspective view of the cup of FIG. 1 from below  
a side thereof;

FIG. 8 is a perspective view of the cup of FIG. 1 turned  
upside-down and from above a bottom thereof;

FIG. 9 is a handle side elevational view of the cup of FIG. 1;

FIG. 10 is a side elevational view of the cup of FIG. 1 from  
opposite the handle side;

FIG. 11 is a front side elevational view of the cup of FIG. 1;

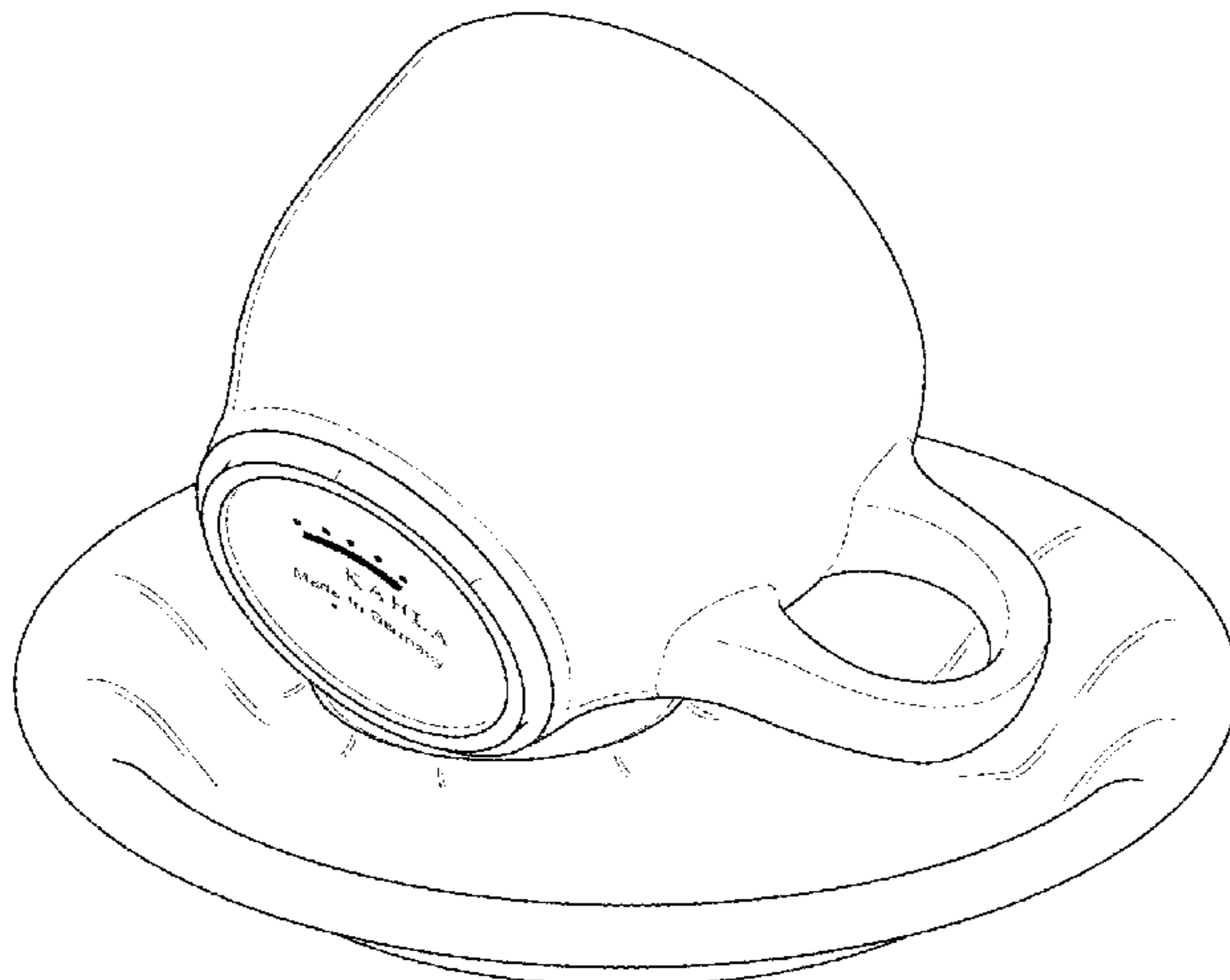
FIG. 12 is a side elevational view of the cup of FIG. 1 from  
opposite the front side;

FIG. 13 is a top plan view of the cup of FIG. 1;

FIG. 14 is a bottom plan view of the cup of FIG. 1;

FIG. 15 is a top plan view of the saucer of FIG. 1; and,  
FIG. 16 is a bottom plan view of the saucer of FIG. 1.

**1 Claim, 8 Drawing Sheets**



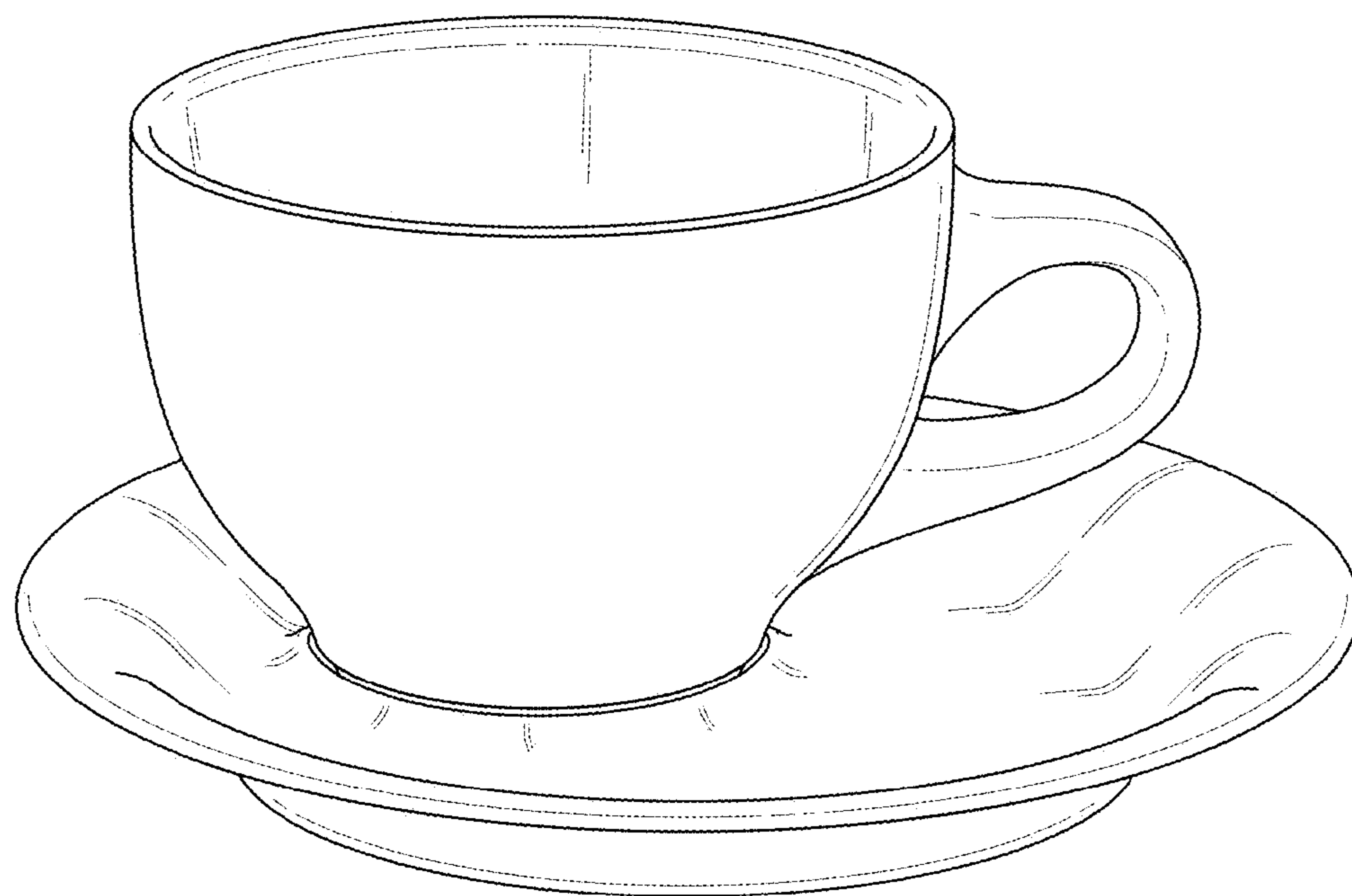
(56)

**References Cited**

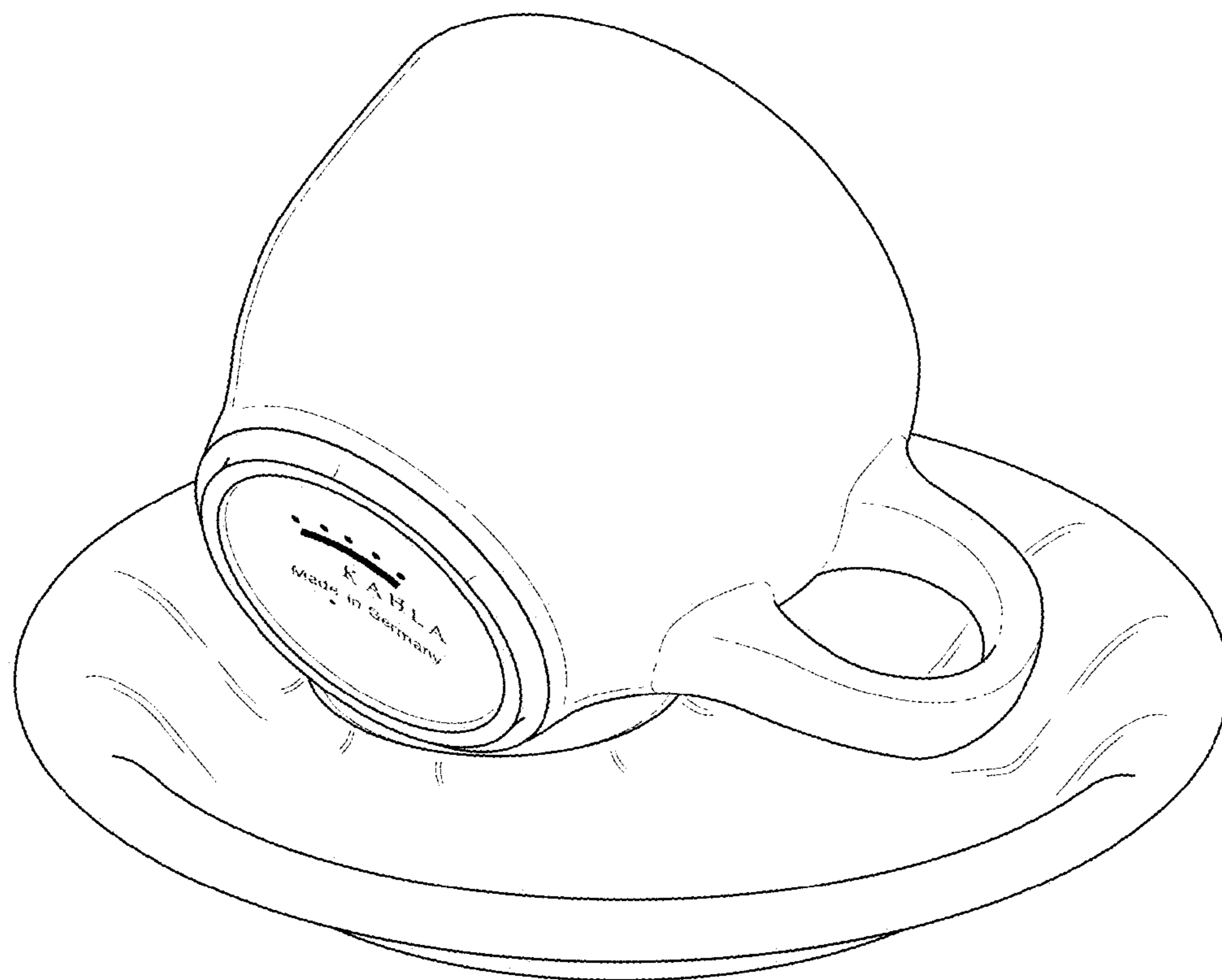
D600,076 S \* 9/2009 Haas ..... D7/586  
D658,946 S \* 5/2012 Burns ..... D7/536

U.S. PATENT DOCUMENTS

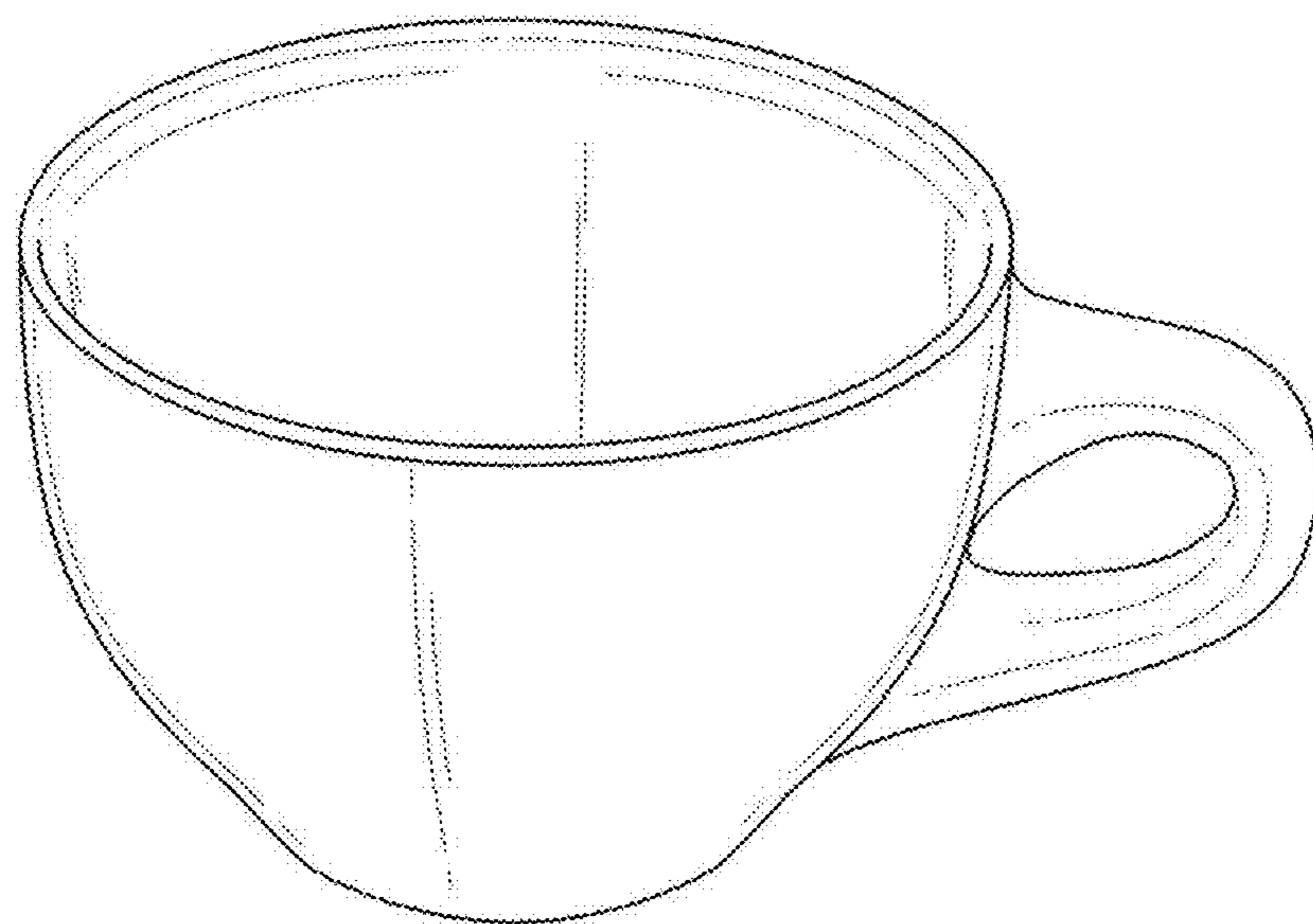
D595,541 S \* 7/2009 Haas ..... D7/536 \* cited by examiner



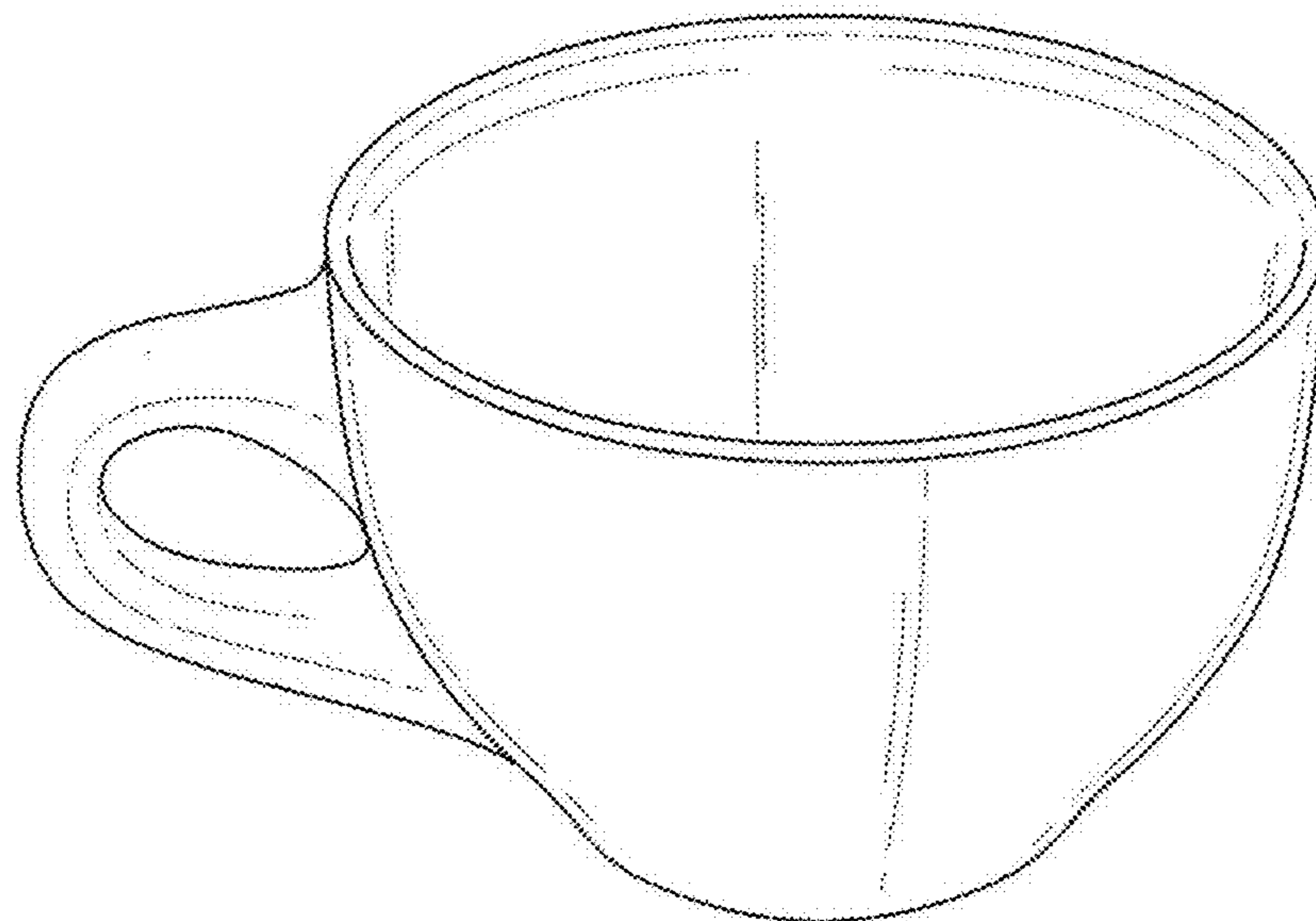
**FIG. 1**



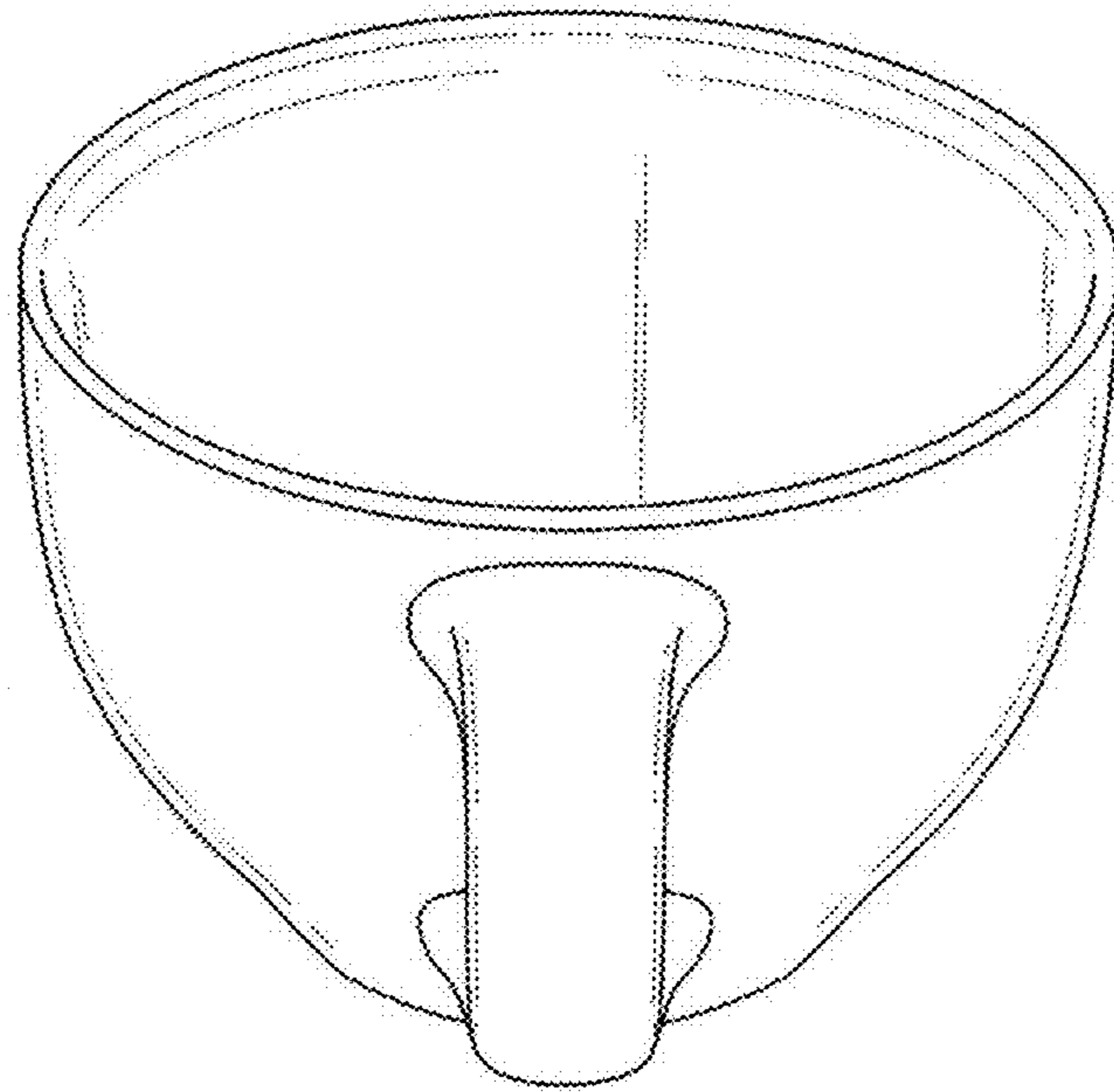
**FIG. 2**



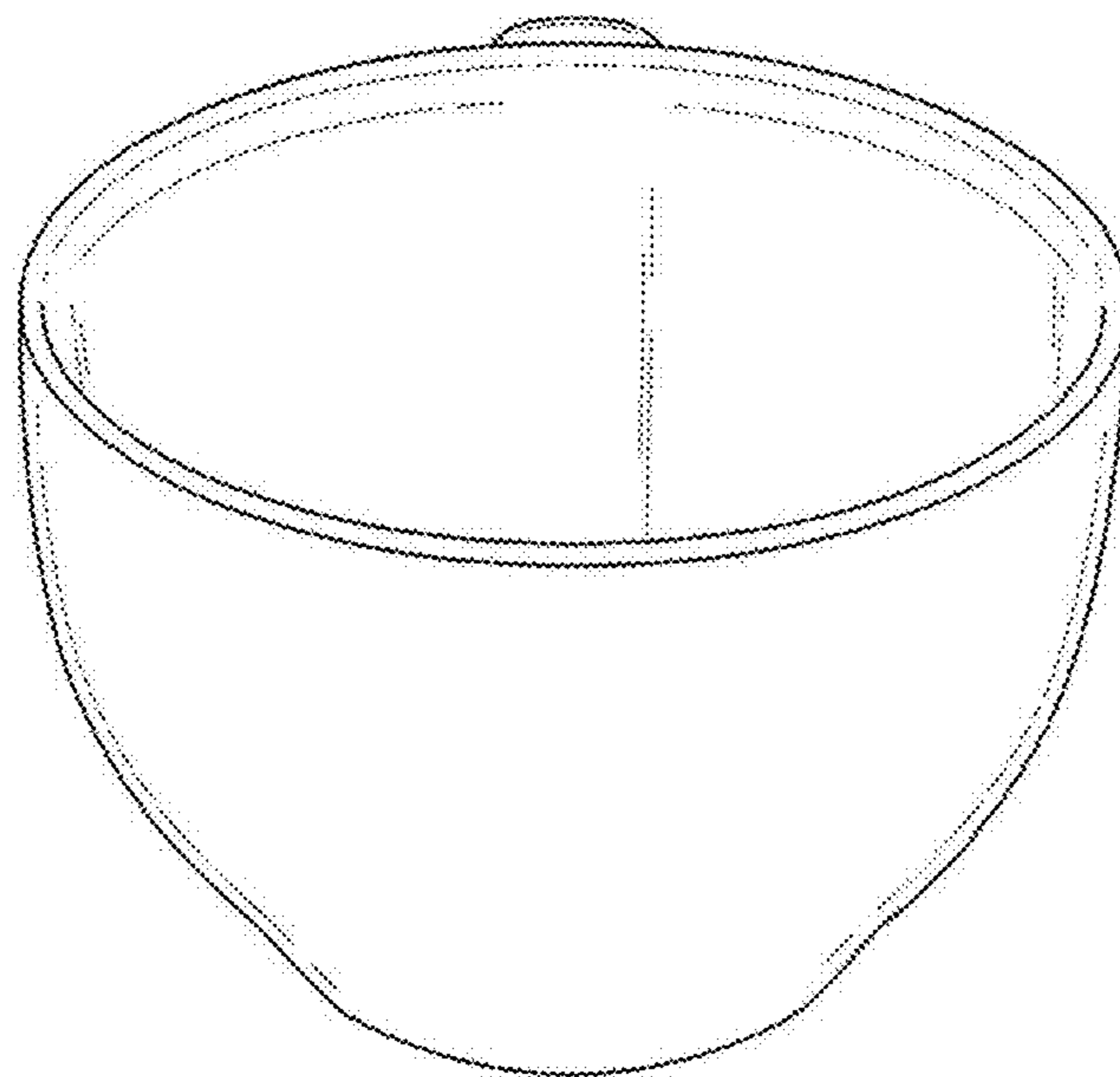
**FIG. 3**



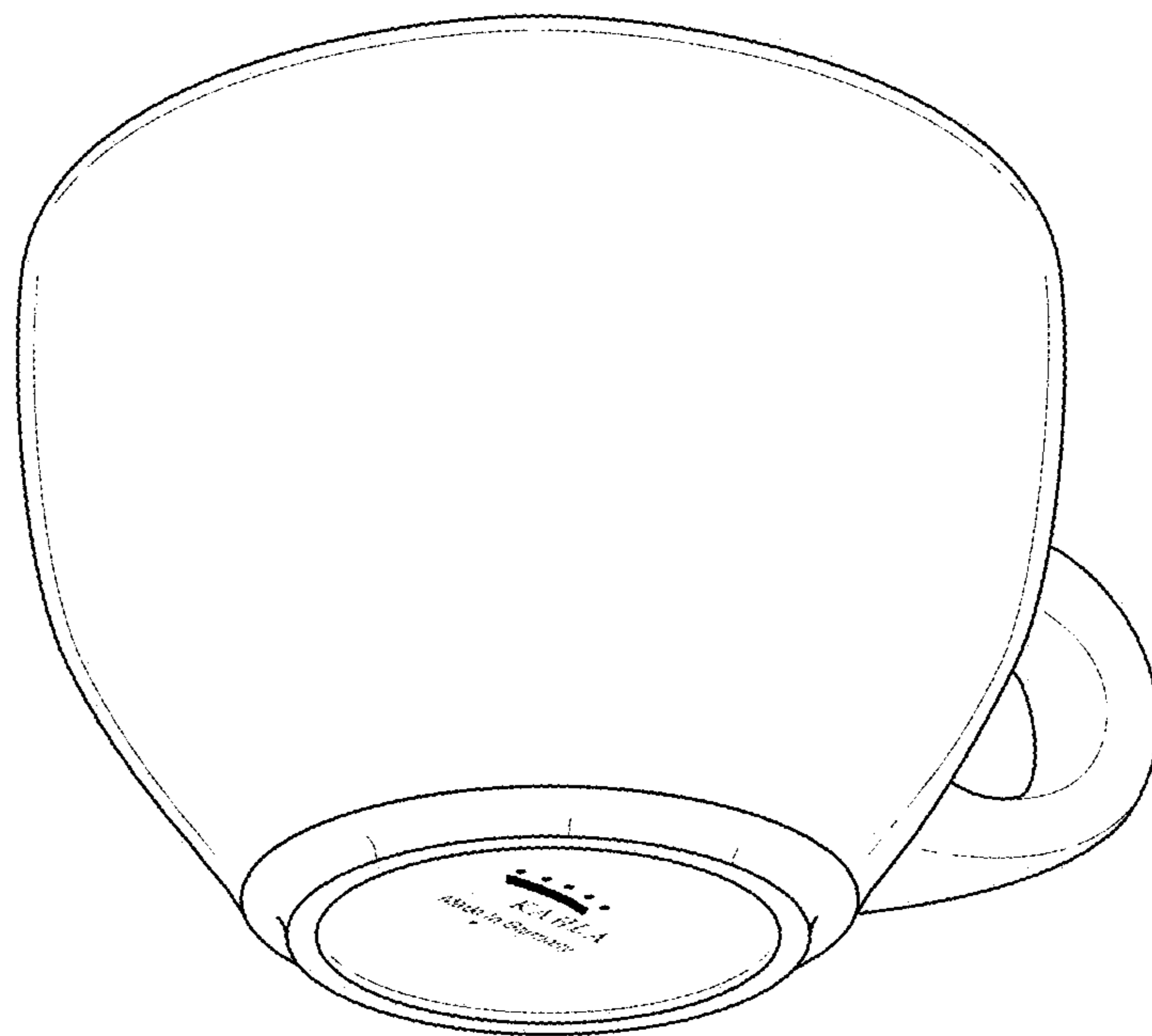
**FIG. 4**



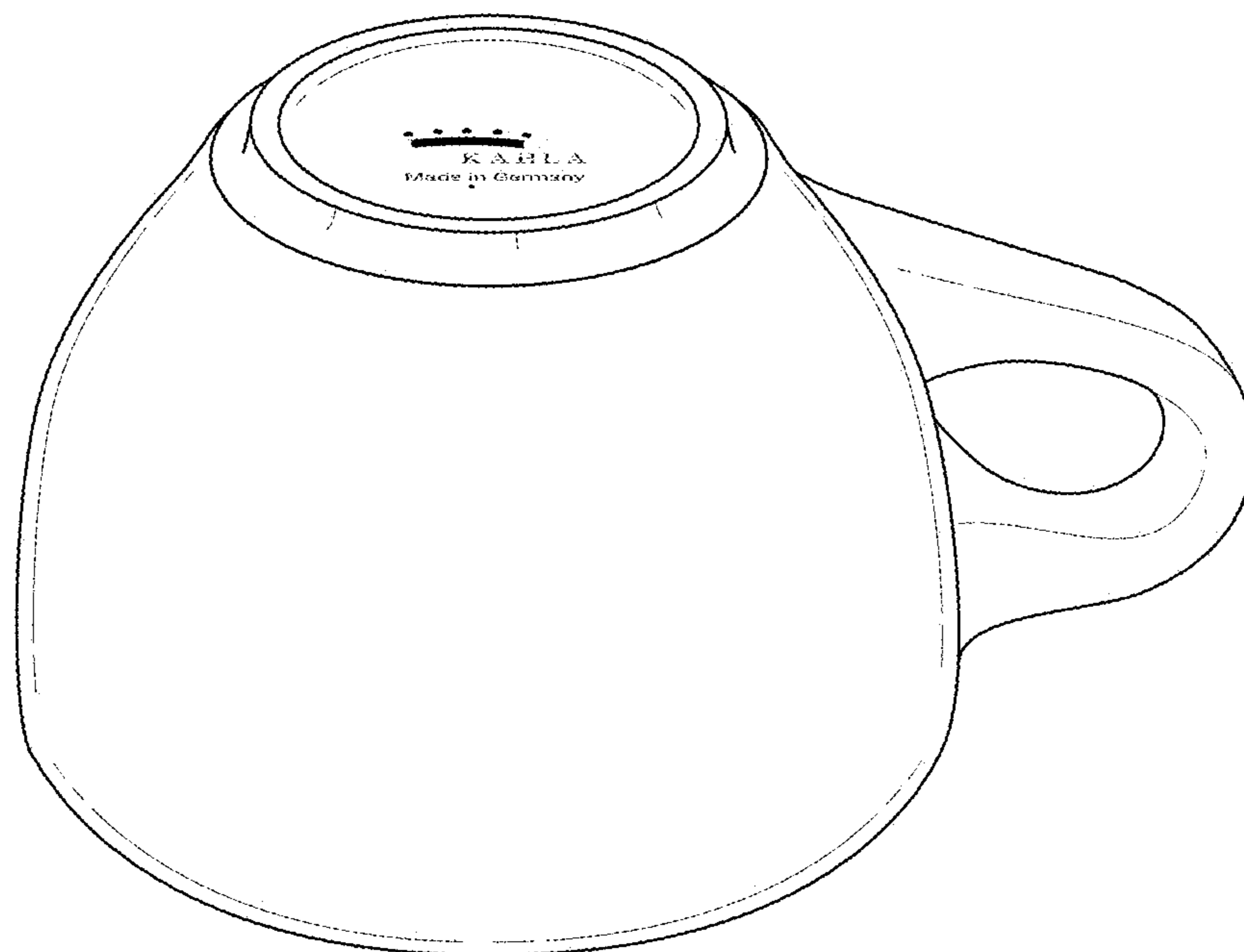
**FIG. 5**



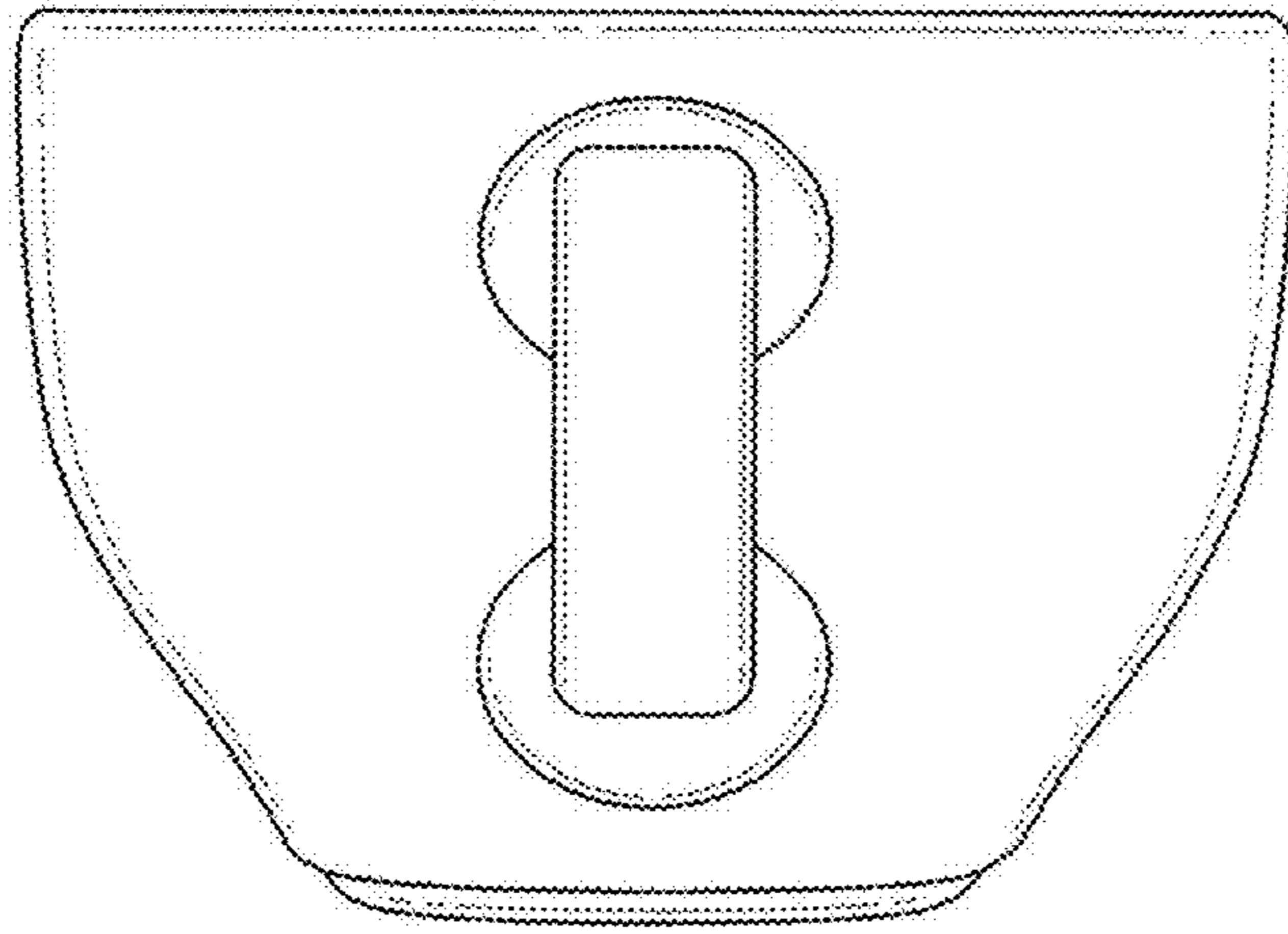
**FIG. 6**



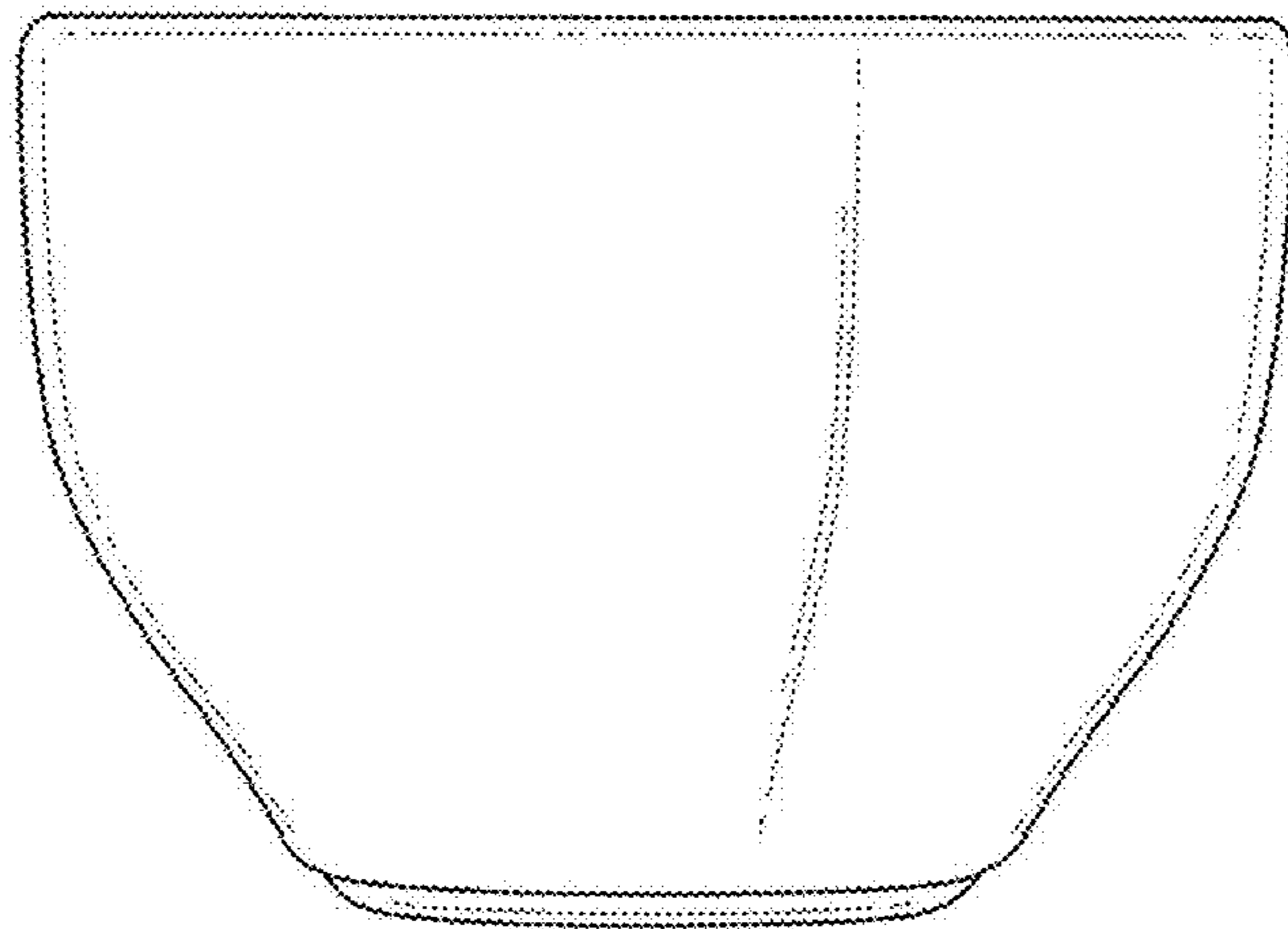
**FIG. 7**



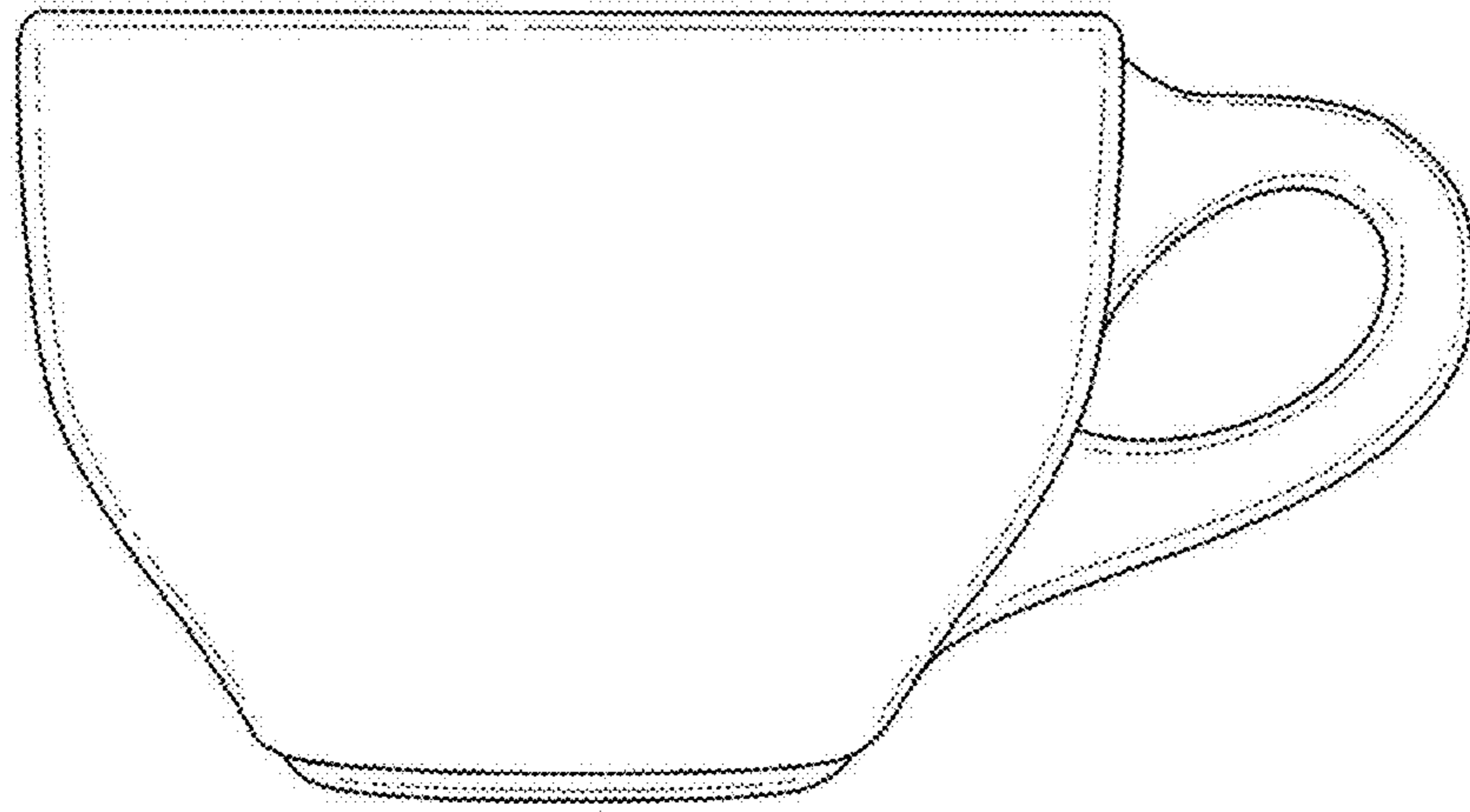
**FIG. 8**



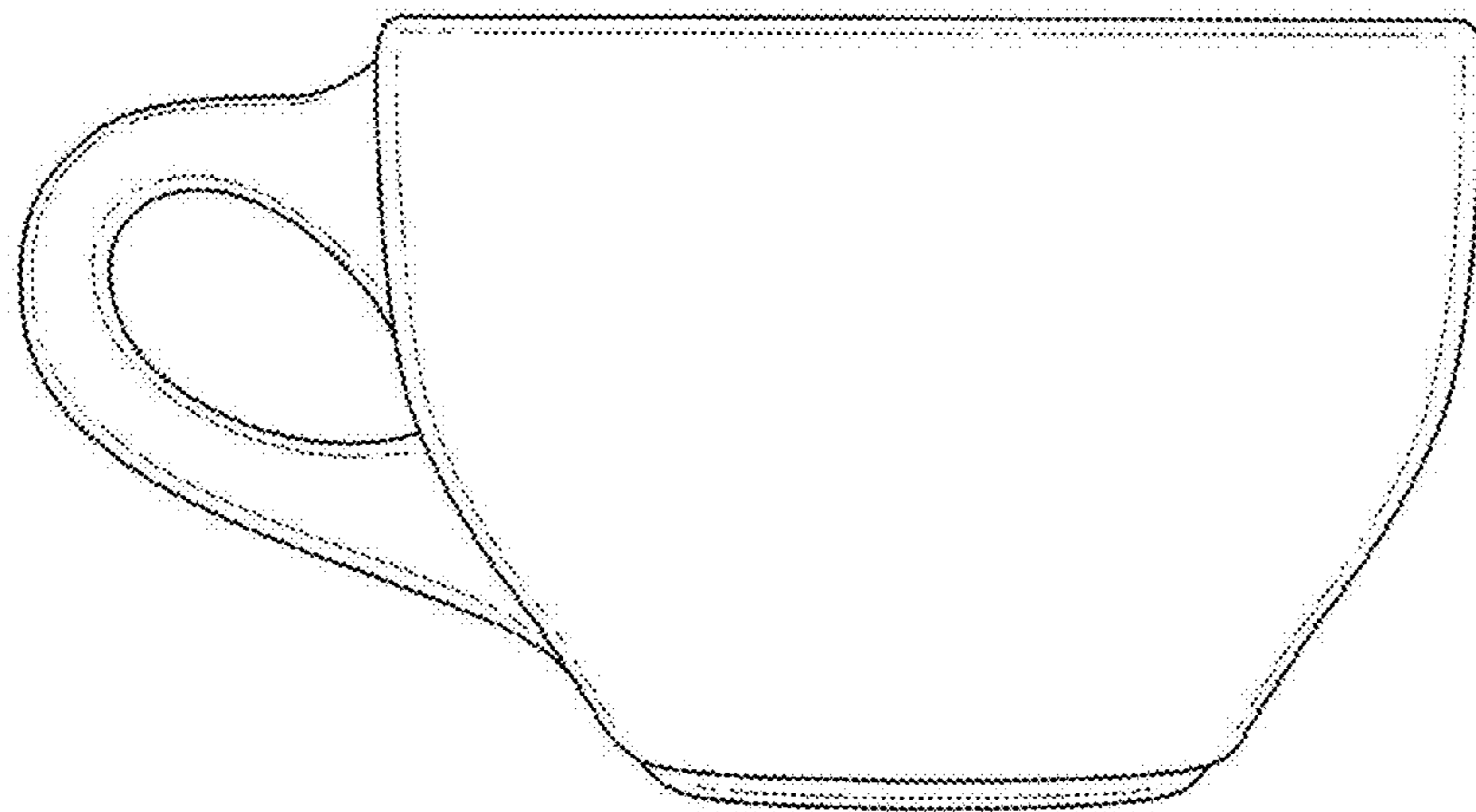
**FIG. 9**



**FIG. 10**

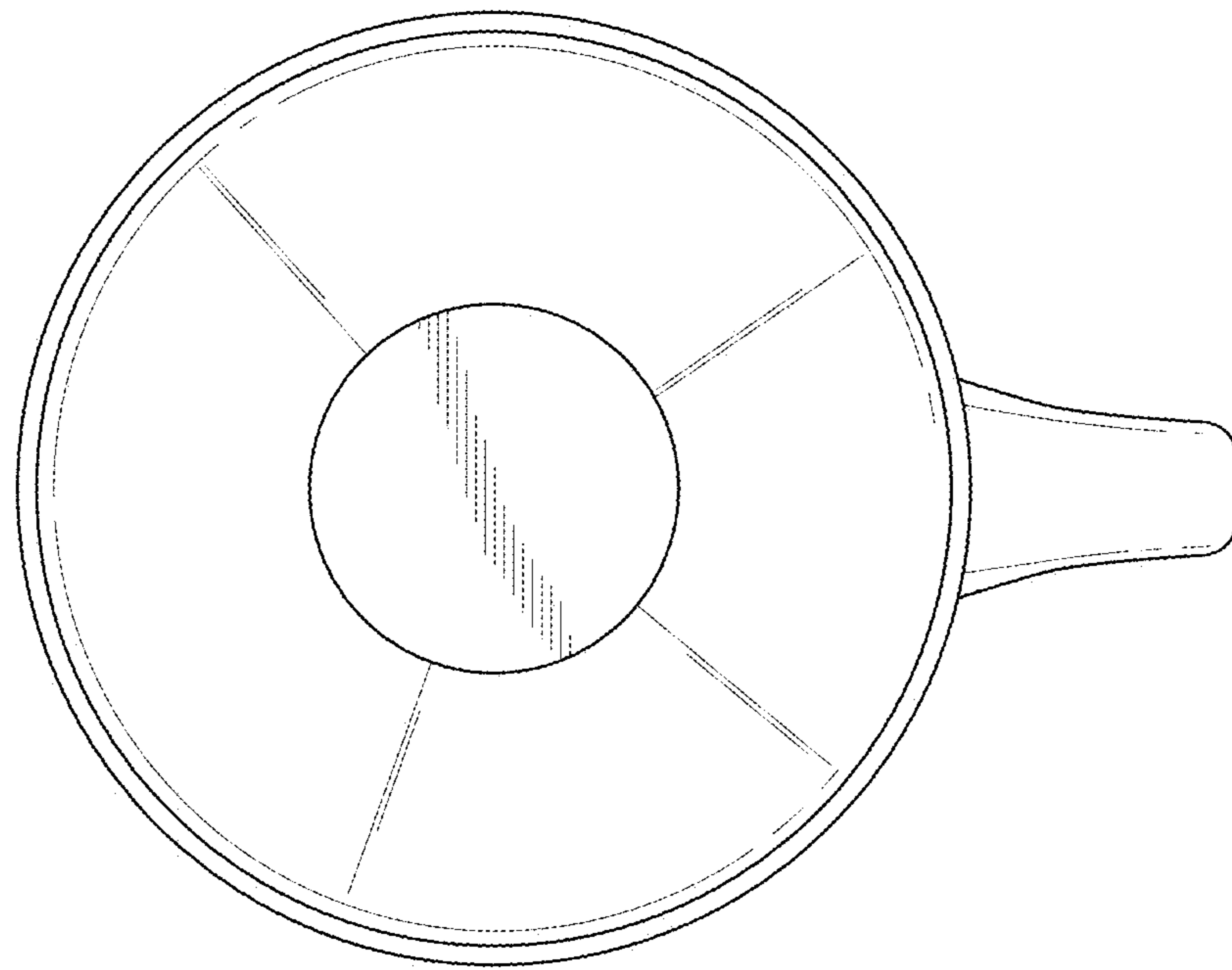


**FIG. 11**

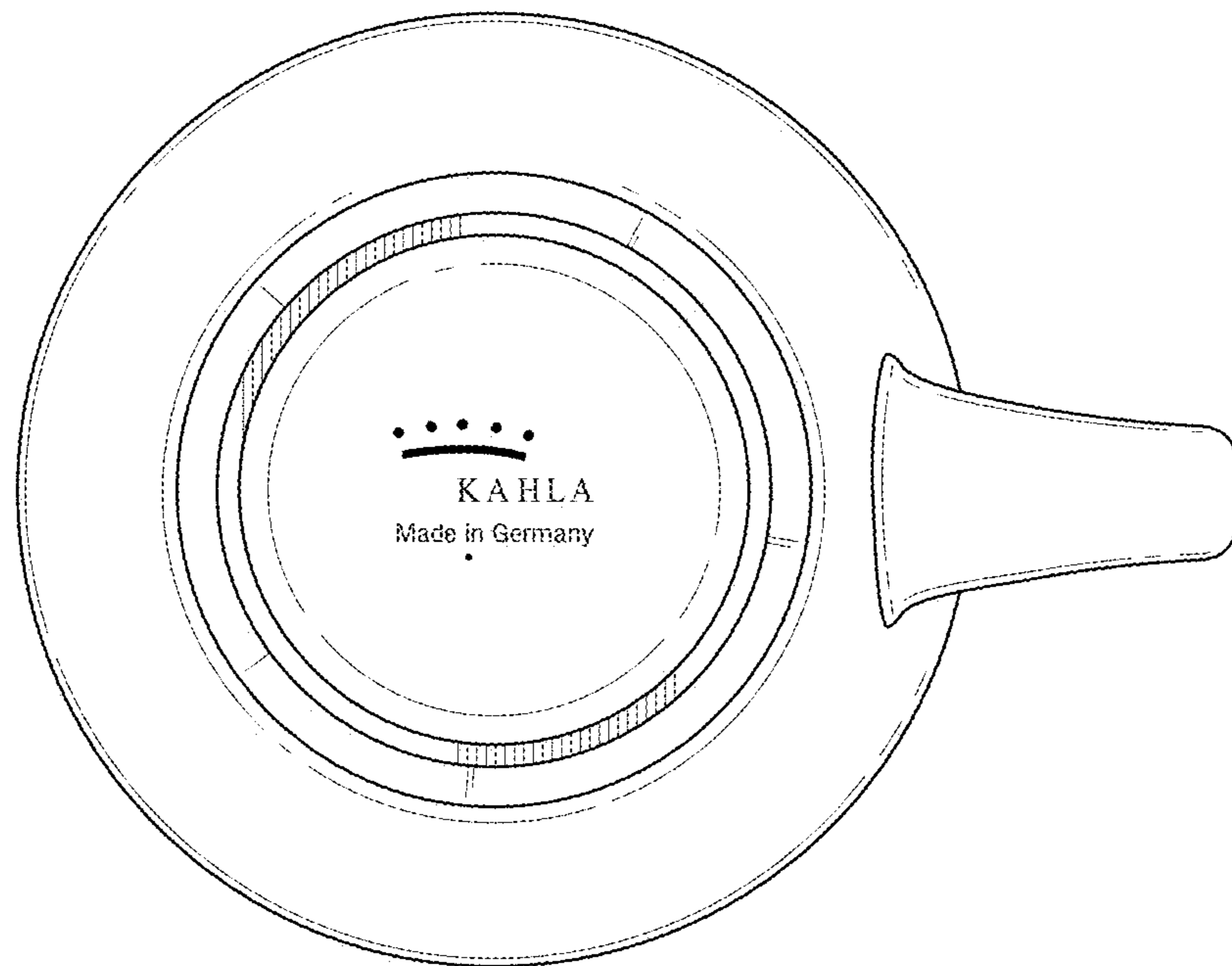


**FIG. 12**

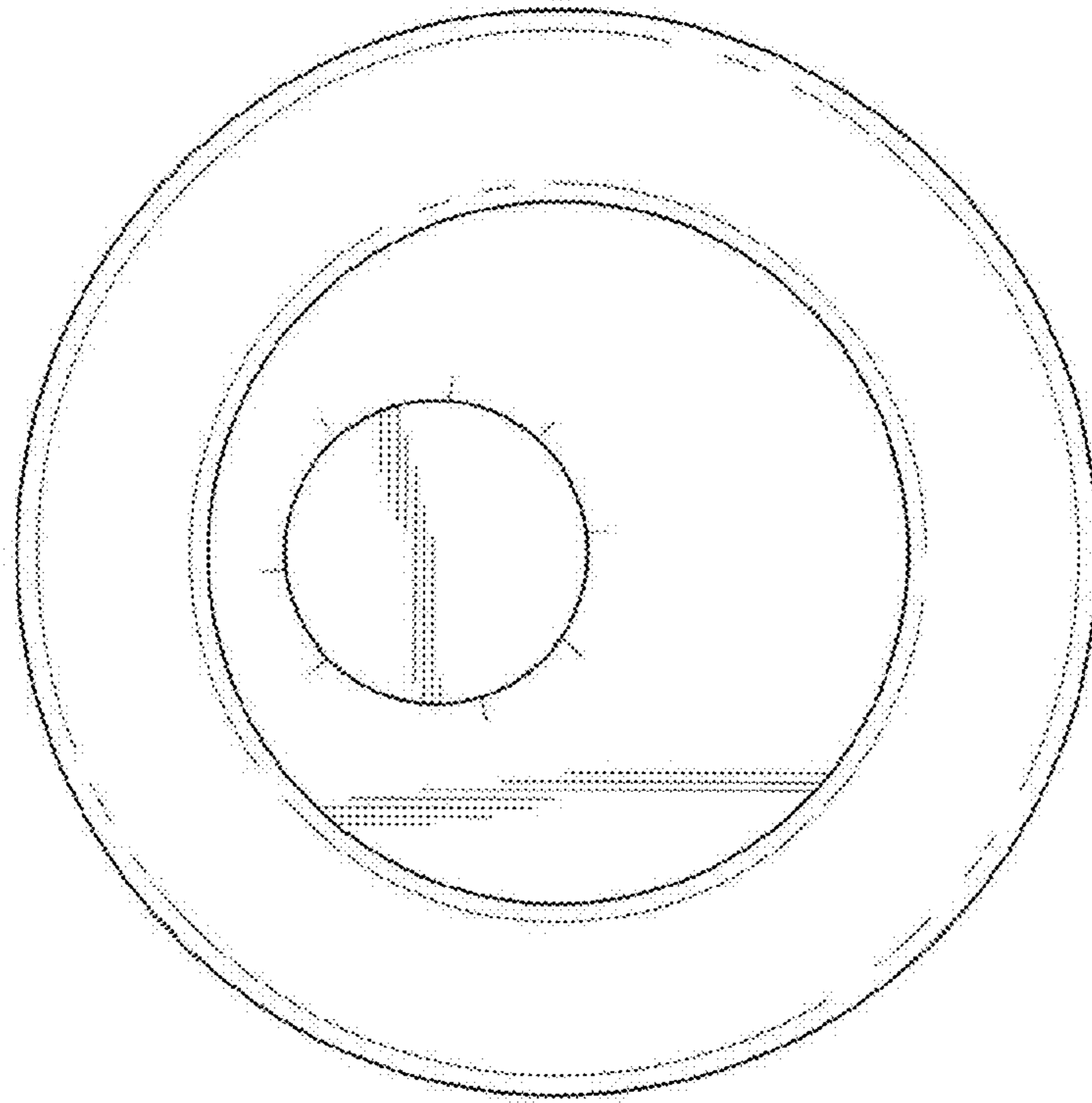




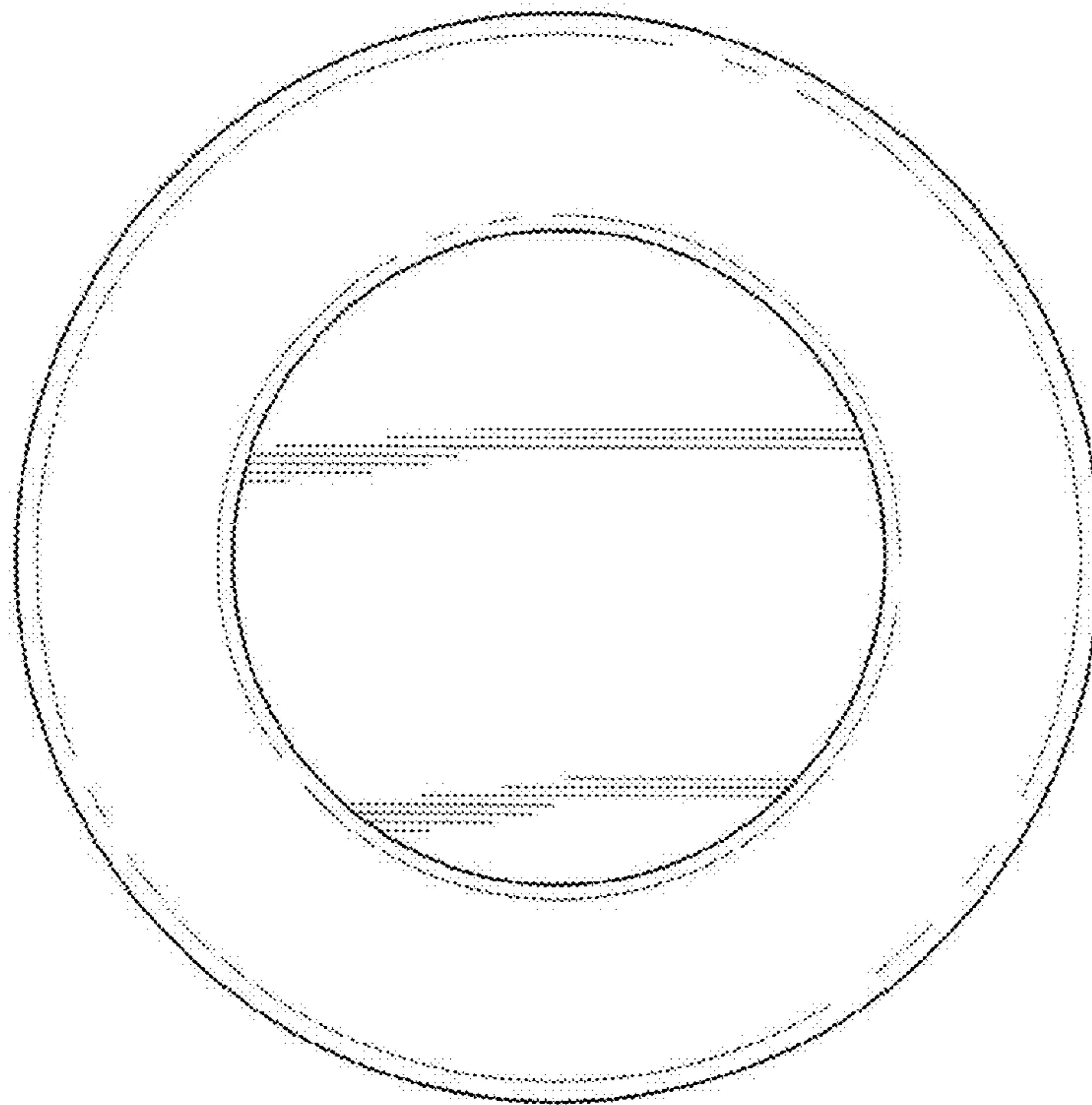
**FIG. 13**



**FIG. 14**



**FIG. 15**



**FIG. 16**