



US00D727682S

(12) **United States Design Patent**  
**Madvin**

(10) **Patent No.:** **US D727,682 S**  
(45) **Date of Patent:** **\*\* Apr. 28, 2015**

(54) **BEVERAGE INFUSER**

OTHER PUBLICATIONS

- (71) Applicant: **Jeremy Madvin**, Westlake, CA (US)
- (72) Inventor: **Jeremy Madvin**, Westlake, CA (US)
- (73) Assignee: **Jeremy Madvin**, Westlake Village, CA (US)
- (\*\*) Term: **14 Years**

<http://teafinelybrewed.com/blog/travel-buddy-infuser-tea-mug-review/> Posted Jan. 27, 2010.\*  
[http://www.amazon.com/WSWS-Tea-Infuser-Travel-Clear/dp/B00D9VSRO8/ref=cm\\_cr\\_pr\\_product\\_top/180-3455632-0277663](http://www.amazon.com/WSWS-Tea-Infuser-Travel-Clear/dp/B00D9VSRO8/ref=cm_cr_pr_product_top/180-3455632-0277663) Reviews from Jul. 11, 2913.\*  
 Tea Infuser Travel Mug [http://www.amazon.com/WSWS-Tea-Infuser-Travel-Clear/dp/B00D9VSRO8/ref=cm\\_cr\\_pr\\_product\\_top](http://www.amazon.com/WSWS-Tea-Infuser-Travel-Clear/dp/B00D9VSRO8/ref=cm_cr_pr_product_top).

\* cited by examiner

(21) Appl. No.: **29/480,899**

*Primary Examiner* — Susan Bennett Hattan  
*Assistant Examiner* — Leanne Was

(22) Filed: **Jan. 30, 2014**

(51) **LOC (10) Cl.** ..... **07-01**

(52) **U.S. Cl.**

USPC ..... **D7/397**

(58) **Field of Classification Search**

USPC ..... D7/300, 305, 309, 368, 387, 388, 396.1,  
 D7/396.2, 397, 399, 400, 500, 505, 507,  
 D7/509, 510, 511, 513, 538, 541, 543, 549,  
 D7/558, 566, 667; D9/516, 519, 530, 537,  
 D9/544, 545, 548, 549, 715, 719, 738, 739,  
 D9/751; 99/279, 299, 303, 322, 323, 495;  
 206/205; 220/703, 711

See application file for complete search history.

(56) **References Cited**

U.S. PATENT DOCUMENTS

D470,753	S	*	2/2003	Kunesh et al.	.....	D9/521
6,786,137	B1	*	9/2004	Shen	.....	99/323
D560,097	S	*	1/2008	Shen et al.	.....	D7/510
D608,642	S	*	1/2010	Black	.....	D9/500
D620,361	S	*	7/2010	Scott	.....	D9/500
D664,852	S	*	8/2012	Weber-Trinkfass et al.	...	D9/503
D691,418	S	*	10/2013	Minton et al.	.....	D7/400

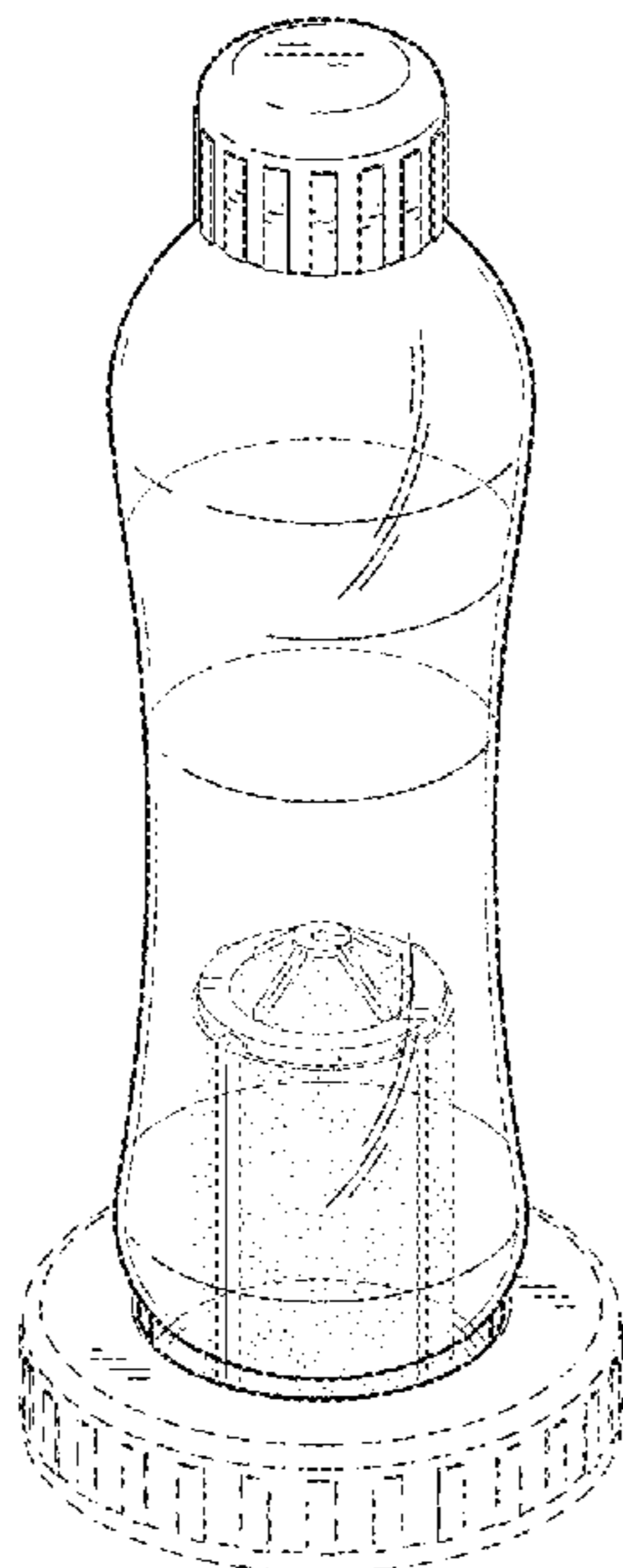
(57) **CLAIM**

The ornamental design for a beverage infuser, as shown and described.

**DESCRIPTION**

FIG. 1 is a perspective front view of a beverage infuser assembled;  
 FIG. 2 is a perspective front view of the beverage infuser exploded;  
 FIG. 3 is a front elevation view of the beverage infuser; the rear elevation view being a mirror image thereof;  
 FIG. 4 is a left side elevation view of the beverage infuser; the right side elevation view being a mirror image thereof;  
 FIG. 5 is a top plan view of the beverage infuser unassembled as in FIG. 3; and,  
 FIG. 6 is a top plan view of the beverage infuser unassembled as in FIG. 3.  
 The shape of the base is shown in broken lines for illustrative purposes only and forms no part of the claimed design.

**1 Claim, 4 Drawing Sheets**



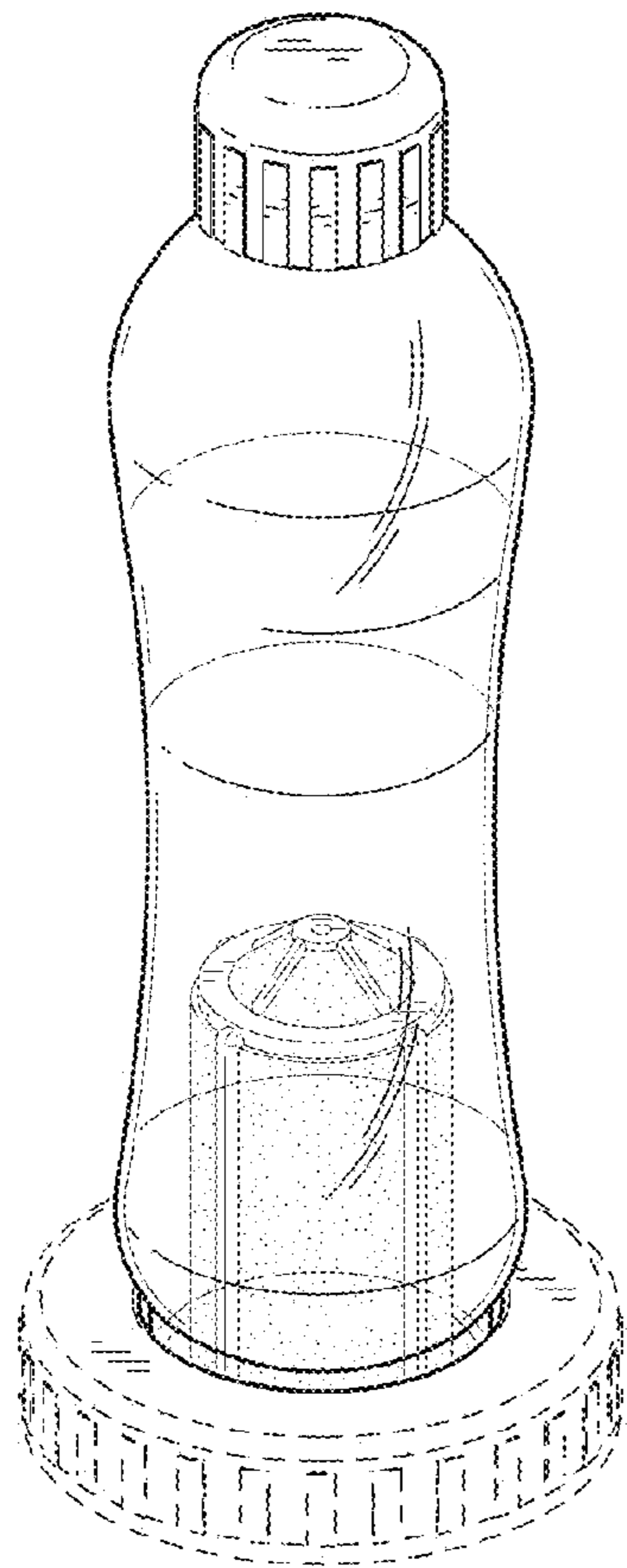


FIG. 1

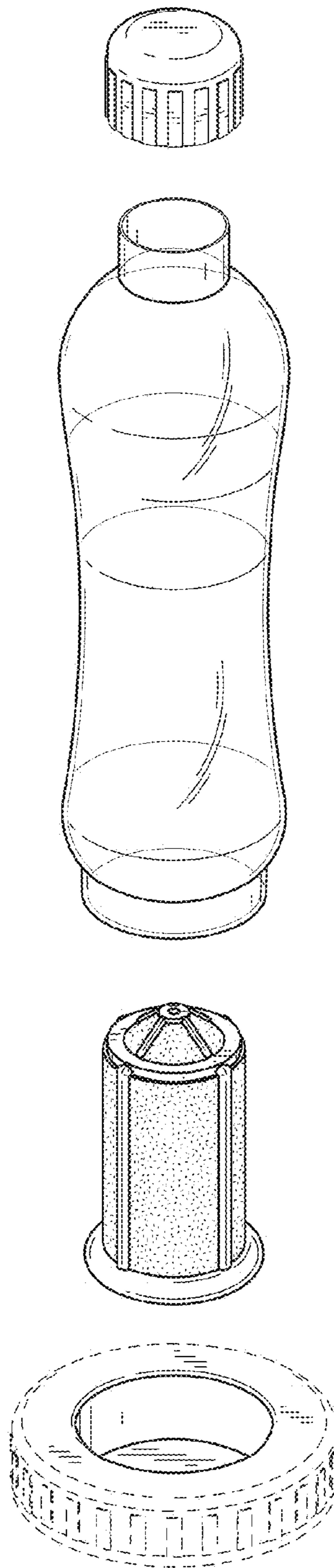


FIG. 2

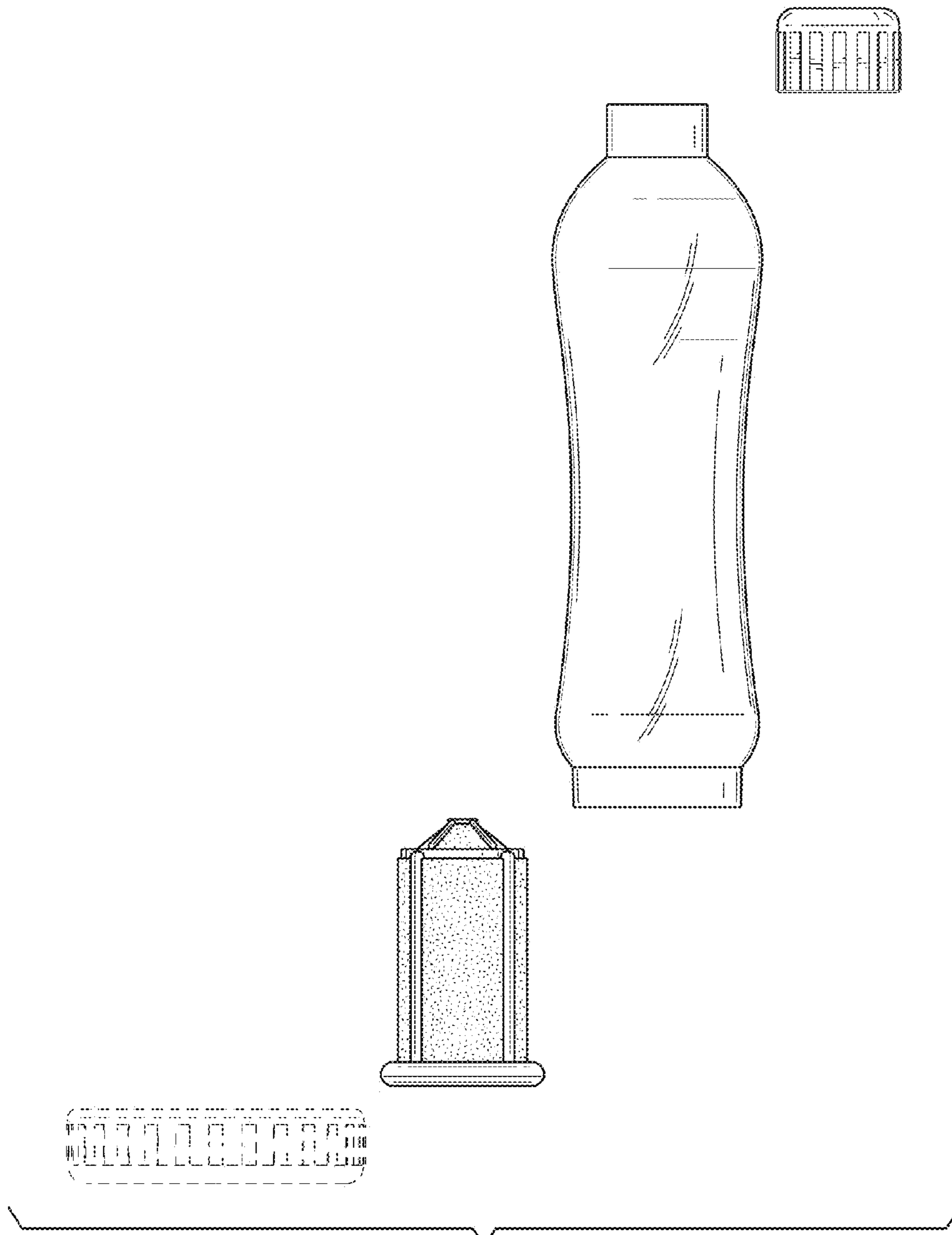


FIG. 3

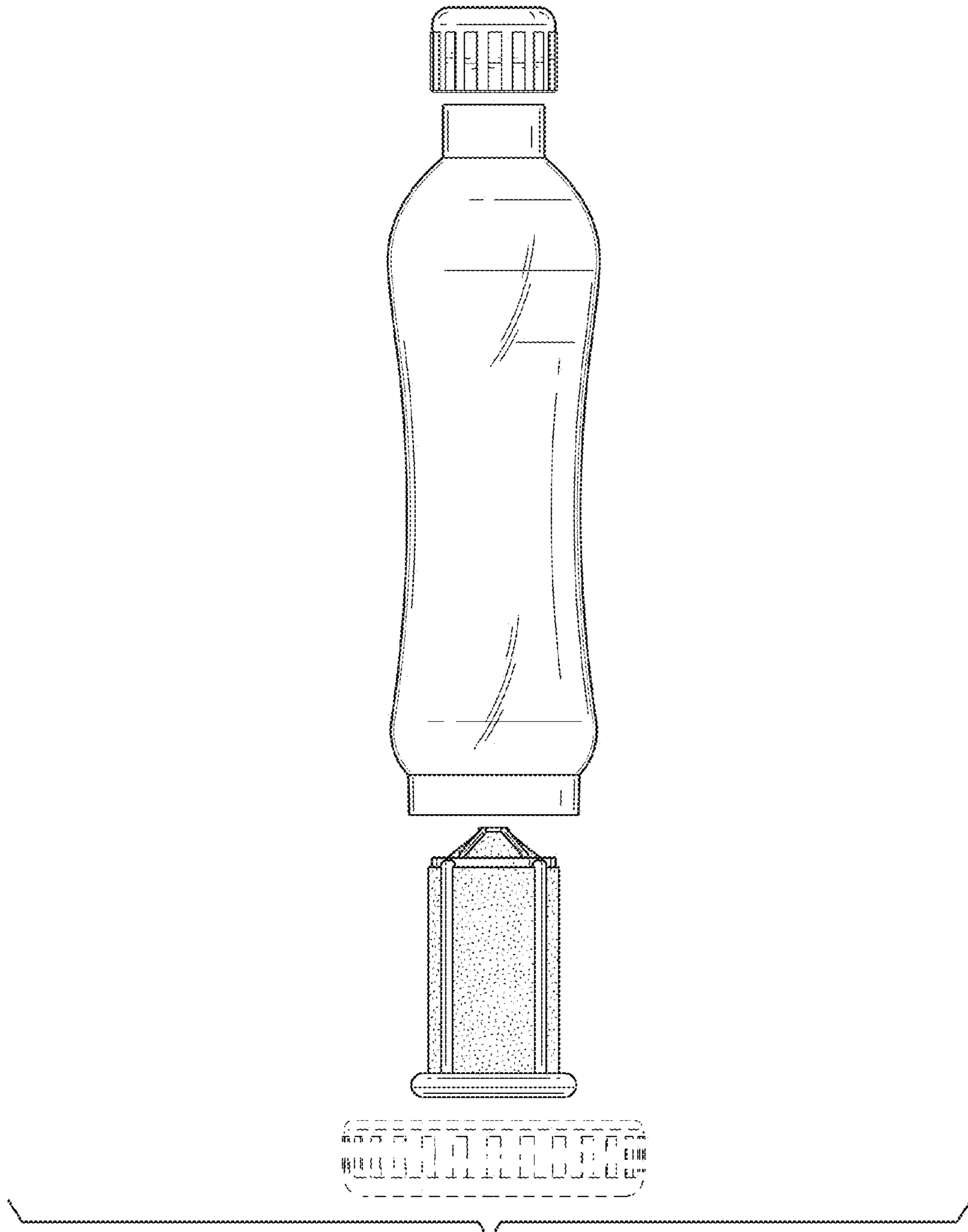


FIG. 4

