



US00D727681S

(12) **United States Design Patent**
Osgood et al.

(10) **Patent No.:** **US D727,681 S**
(45) **Date of Patent:** **** Apr. 28, 2015**

- (54) **LID ASSEMBLY FOR A DRINKING VESSEL**
- (71) Applicant: **Klean Kanteen, Inc.**, Chico, CA (US)
- (72) Inventors: **James Osgood**, Chico, CA (US);
Andrew L. Cote, Sr., Merrimack, NH (US)
- (73) Assignee: **Klean Kanteen, Inc.**, Chico, CA (US)
- (**) Term: **14 Years**
- (21) Appl. No.: **29/458,060**
- (22) Filed: **Jun. 14, 2013**
- (51) **LOC (10) Cl.** **07-01**
- (52) **U.S. Cl.**
USPC **D7/392.1; D9/447**
- (58) **Field of Classification Search**
CPC **A47G 19/22–19/23**
USPC **D7/396.2, 392.1, 510, 509, 511;**
D9/435, 439, 440, 445, 447, 449, 450,
D9/454, 500, 503–505; 220/254.3, 705,
220/709, 713, 714
See application file for complete search history.

D686,074 S *	7/2013	Brinckerhoff et al.	D9/447
2004/0094552 A1 *	5/2004	Featherston et al.	220/715
2005/0045634 A1 *	3/2005	Ward et al.	220/254.3
2014/0069946 A1 *	3/2014	Gubitosi et al.	220/713

* cited by examiner

Primary Examiner — Susan Bennett Hattan

Assistant Examiner — Brett Miller

(74) *Attorney, Agent, or Firm* — Alleman Hall McCoy Russell & Tuttle LLP

(57) **CLAIM**

The ornamental design for a lid assembly for a drinking vessel, as shown and described.

DESCRIPTION

FIG. 1 is an isometric view of a lid assembly for a drinking vessel.

FIG. 2 is a top plan view of the lid assembly for a drinking vessel of FIG. 1.

FIG. 3 is a top plan view of the lid assembly for a drinking vessel of FIG. 1 in a rotated, open position.

FIG. 4 is a bottom plan view of the lid assembly for a drinking vessel of FIG. 1.

FIG. 5 is a front elevation view of the lid assembly for a drinking vessel of FIG. 1.

FIG. 6 is a rear elevation view of the lid assembly for a drinking vessel of FIG. 1; and,

FIG. 7 is a left side elevation view of the lid assembly for a drinking vessel of FIG. 1.

No right side elevation is shown, as it is a mirror image of FIG. 7.

The dashed lines in the figures are for environmental purposes only and form no part of the claimed design.

(56) **References Cited**

U.S. PATENT DOCUMENTS

5,553,731 A *	9/1996	Schuyler	220/719
D622,545 S *	8/2010	Wahl	D7/510
D642,864 S *	8/2011	Tobias	D7/510
D654,762 S *	2/2012	Gilbert	D7/510
D654,763 S *	2/2012	George et al.	D7/510
D658,431 S *	5/2012	Gilbert	D7/392.1
D659,474 S *	5/2012	Wahl et al.	D7/510
D673,047 S *	12/2012	Stamper et al.	D9/453
D675,063 S *	1/2013	Wahl	D7/510

1 Claim, 3 Drawing Sheets

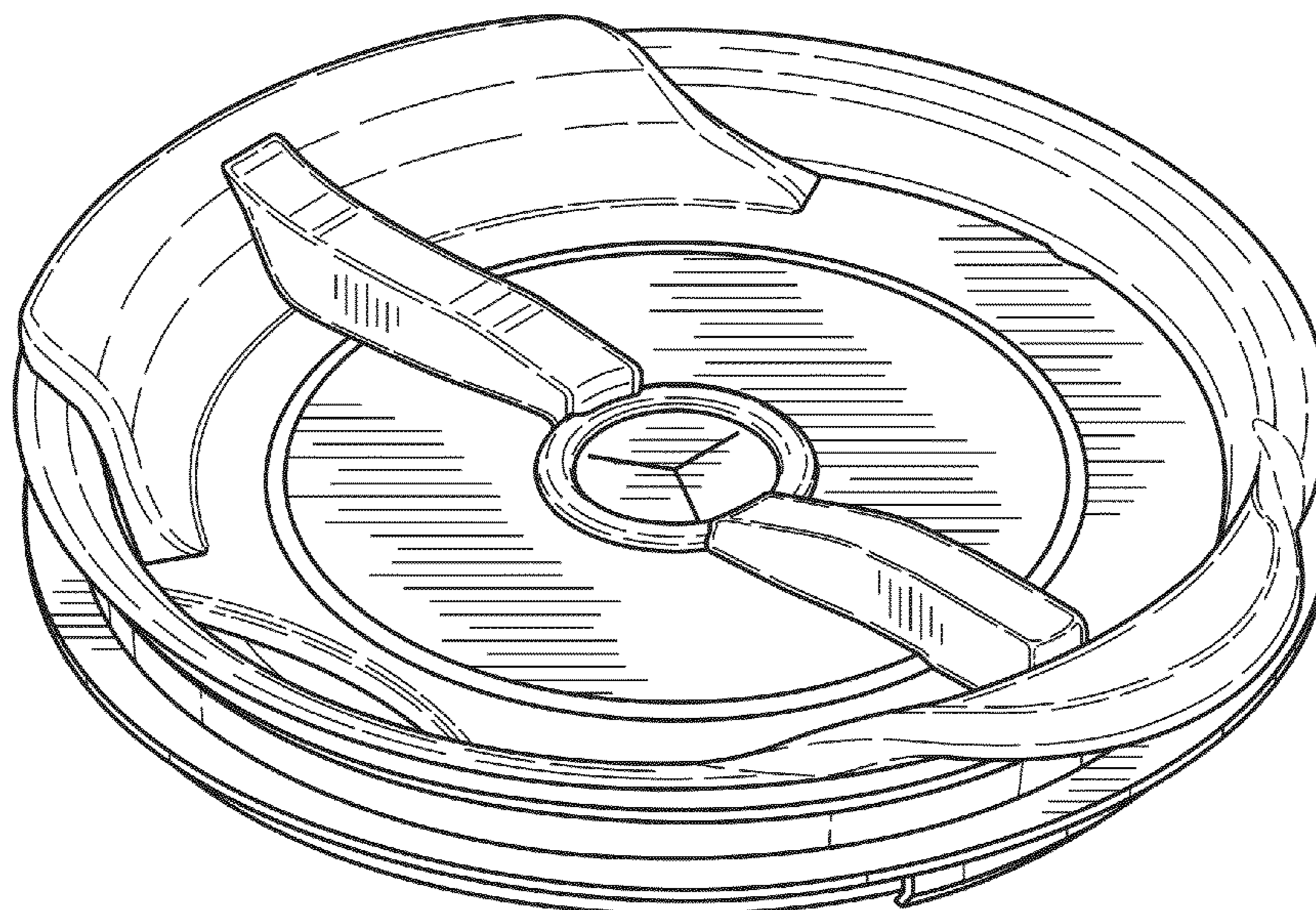


Fig. 1

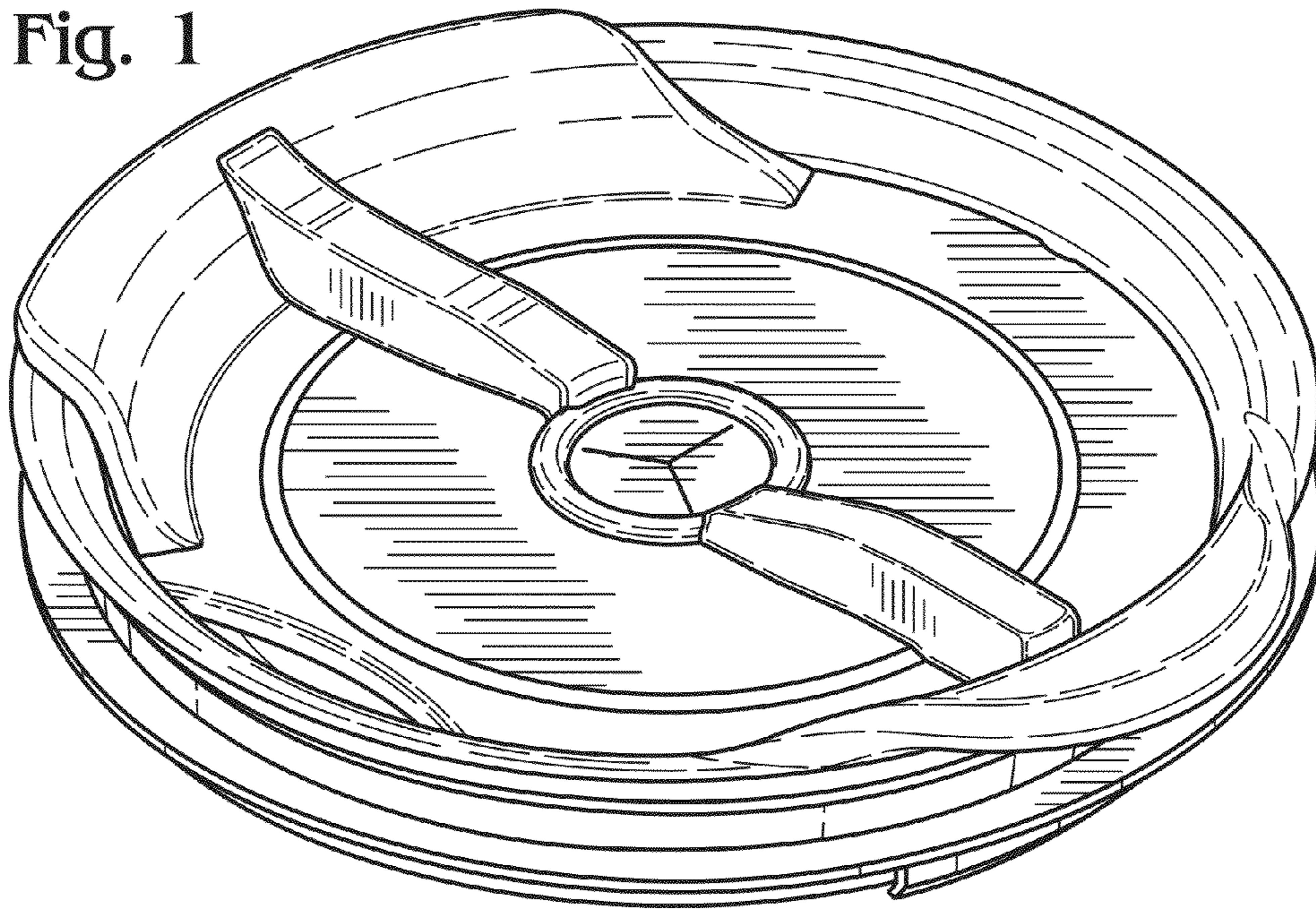


Fig. 2

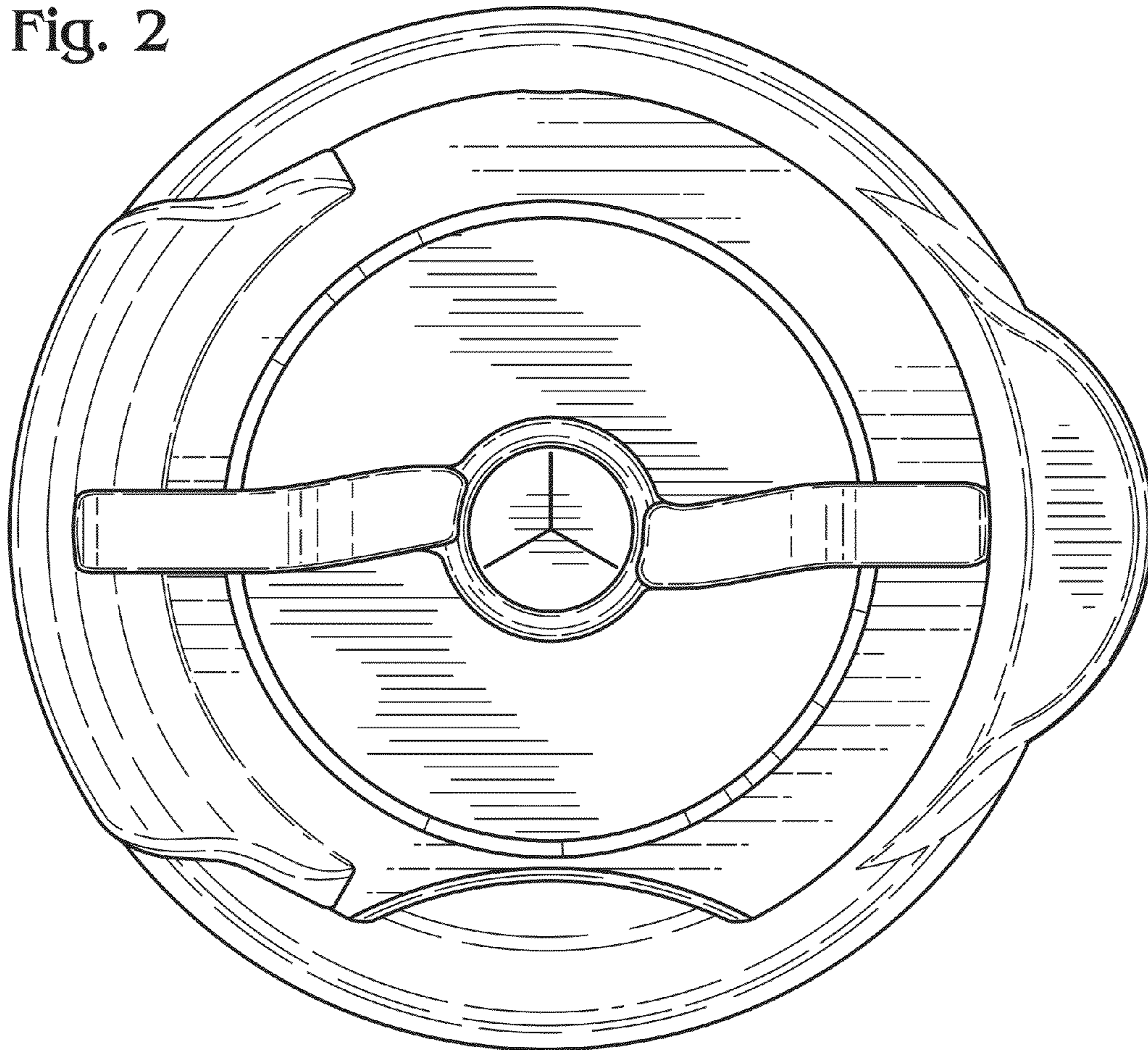


Fig. 3

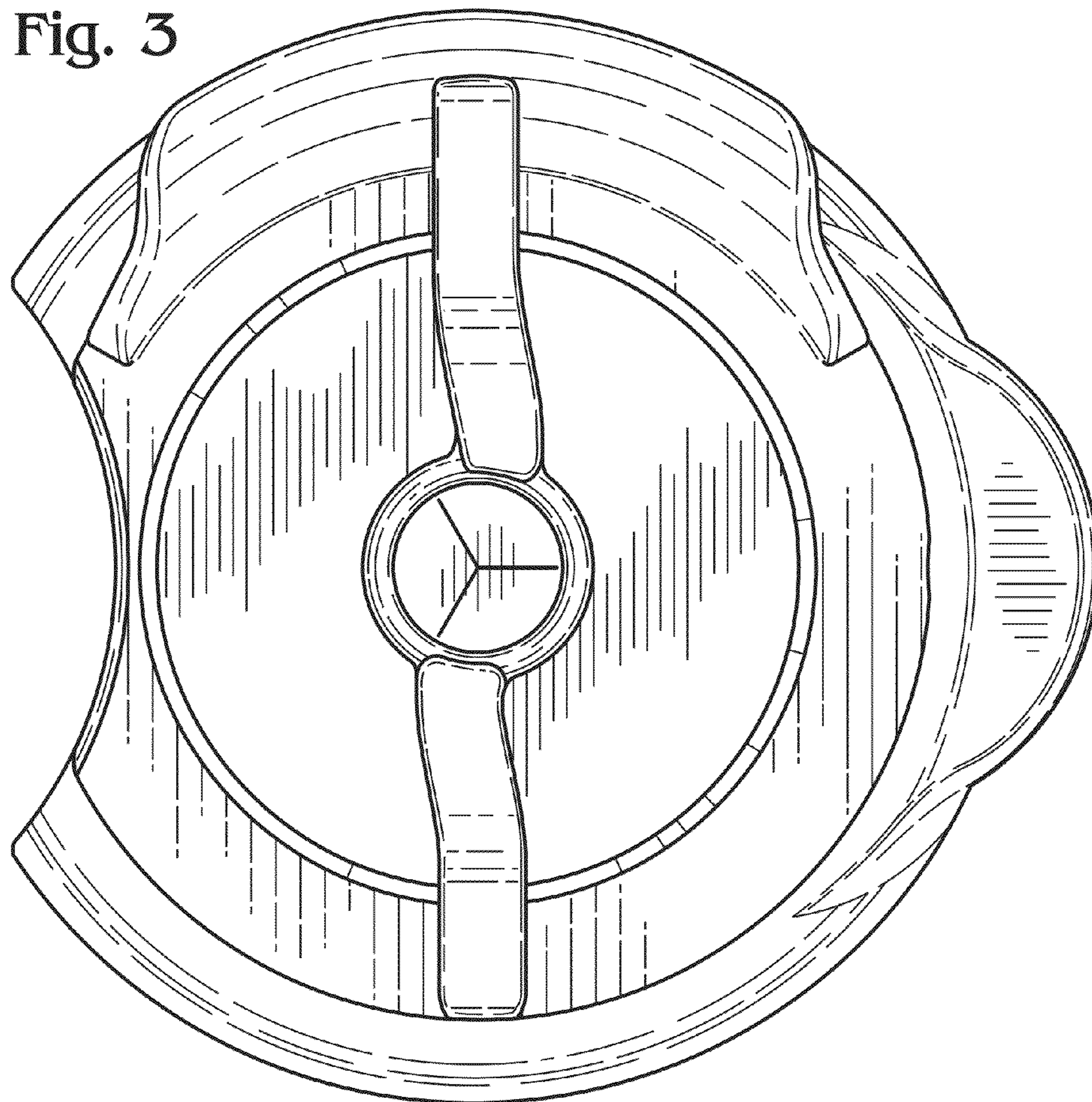


Fig. 5

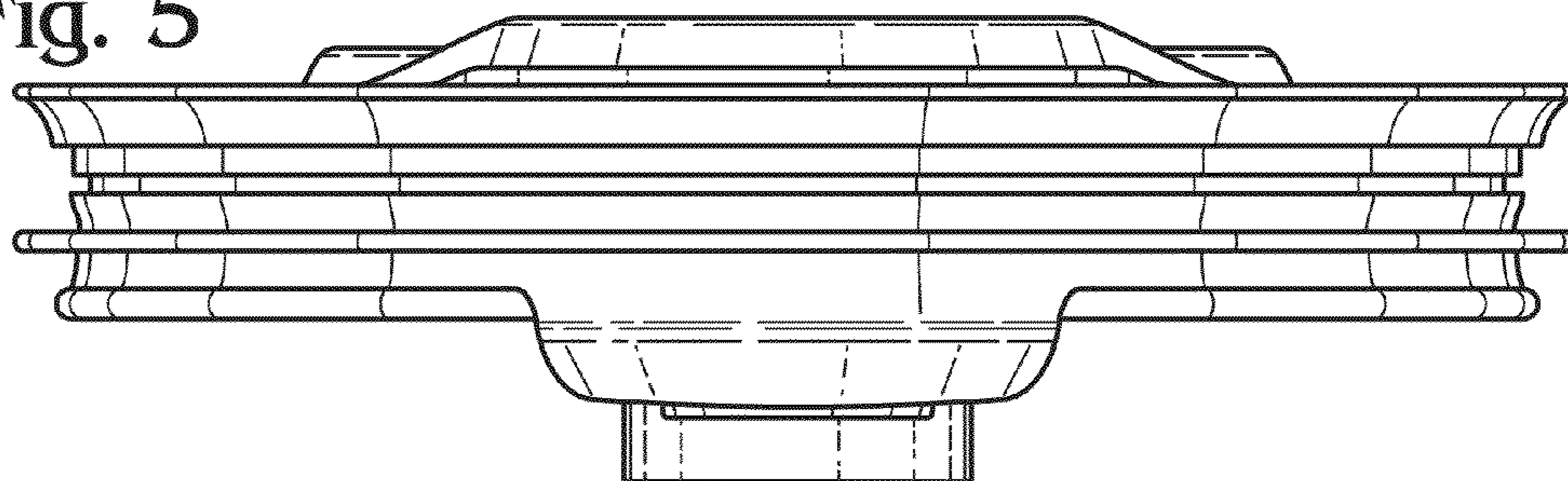


Fig. 4

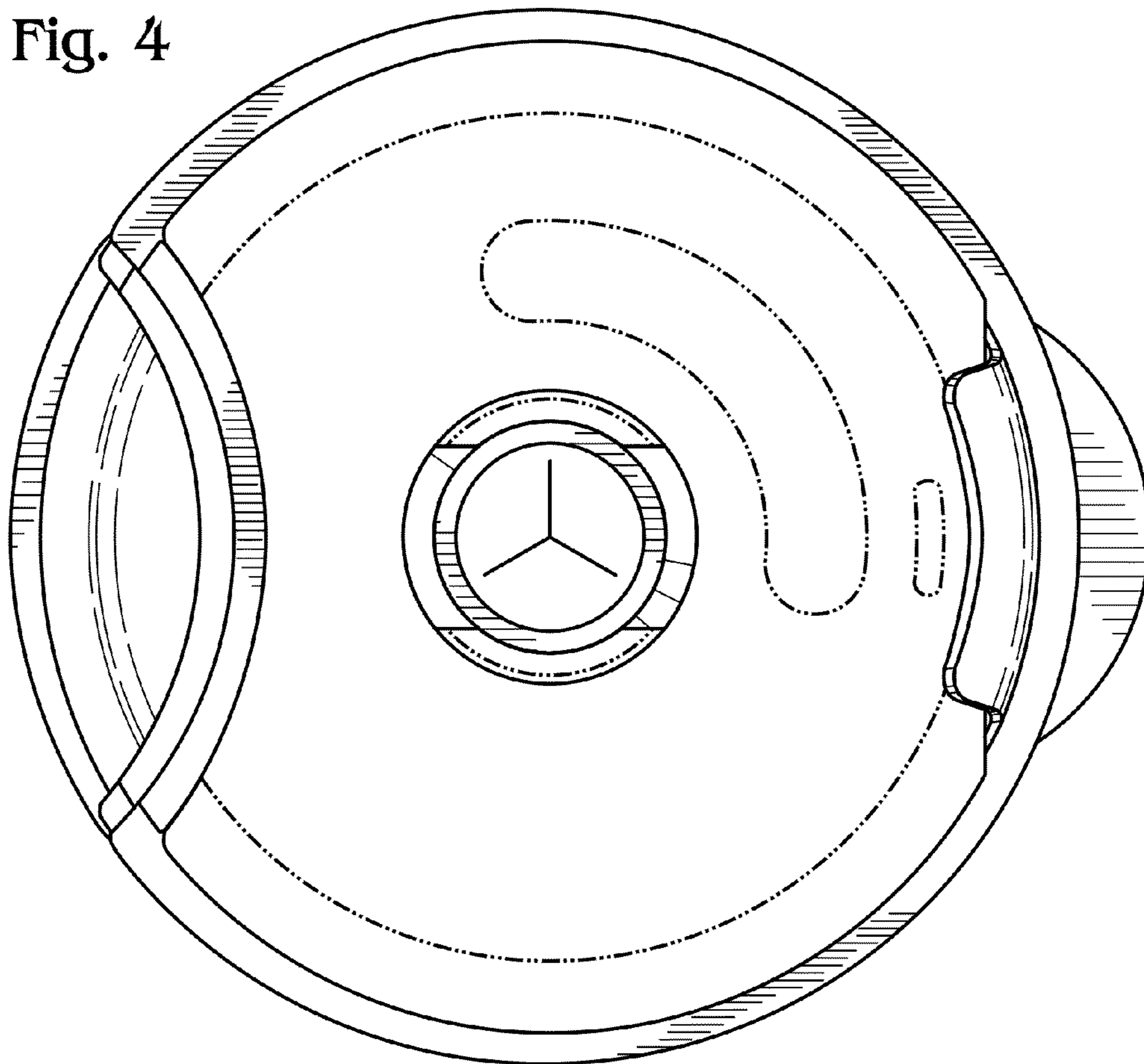


Fig. 6

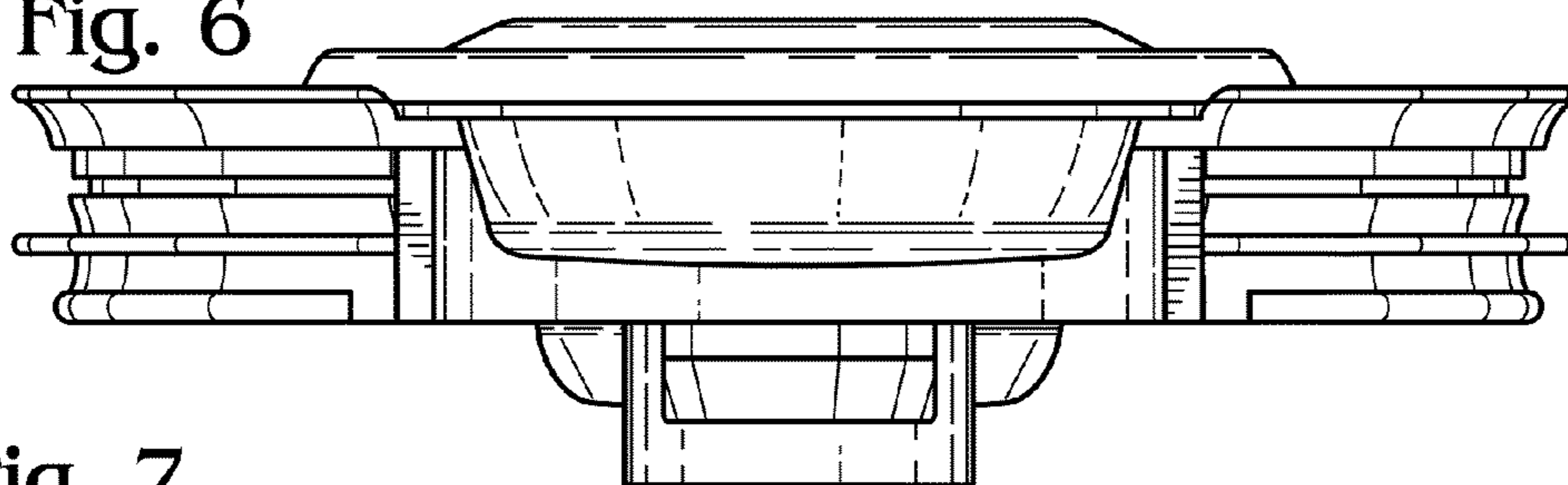


Fig. 7

