

US00D727680S

(12) **United States Design Patent**  
**Parekh et al.**

(10) **Patent No.:** **US D727,680 S**  
(45) **Date of Patent:** **\*\* Apr. 28, 2015**

(54) **BOTTLE**

(71) Applicant: **Hydros Bottle, LLC**, Philadelphia, PA  
(US)

(72) Inventors: **Jay Kiran Parekh**, Philadelphia, PA  
(US); **Aakash Mathur**, Philadelphia, PA  
(US); **Joseph Jackson**, Wilmington, DE  
(US); **David Fowlkes**, West Chester, PA  
(US); **Ian White**, Philadelphia, PA (US);  
**Ian McDermott**, Lincoln University, PA  
(US)

(73) Assignee: **Hydros Bottle, LLC**, Philadelphia, PA  
(US)

(\*\*) Term: **14 Years**

(21) Appl. No.: **29/432,870**

(22) Filed: **Sep. 21, 2012**

(51) **LOC (10) Cl.** ..... **07-01**

(52) **U.S. Cl.**  
USPC ..... **D7/392.1**

(58) **Field of Classification Search**  
CPC ..... C02F 1/002; C02F 1/444; B01D 27/00;  
A45F 3/16; B65D 23/00; B65D 51/1644  
USPC ..... D7/300, 300.1, 303, 321, 392, 392.1,  
D7/397, 398; D9/447, 449, 452, 551, 719;  
D23/209, 210; 210/464, 615; 215/248,  
215/308; 422/422

See application file for complete search history.

(56) **References Cited**

**U.S. PATENT DOCUMENTS**

D235,206 S *	5/1975	Bertrand .....	D23/209
D242,043 S *	10/1976	Corder .....	D23/209
D285,958 S *	9/1986	Koizumi et al. ....	D23/209
D289,914 S *	5/1987	Willinger et al. ....	D23/210
D313,266 S *	12/1990	Geneve et al. ....	D23/209
D338,946 S *	8/1993	Taylor et al. ....	D23/209
5,303,850 A	4/1994	Connan .....	

5,509,551 A	4/1996	Terrell, II	
D383,192 S *	9/1997	Johnson .....	D23/209
D477,382 S *	7/2003	Strand .....	D23/209
6,733,669 B1	5/2004	Crick	
D513,304 S *	12/2005	Suzuki .....	D23/209
D518,555 S *	4/2006	De Muro, Jr. ....	D23/209
D541,374 S *	4/2007	Colussi et al. ....	D23/209

(Continued)

**OTHER PUBLICATIONS**

BPA-Free Water Bottles dated 2010. found online [Apr. 25, 2014]  
[http://www.greendeals.org/bpa-free-water-bottles.\\*](http://www.greendeals.org/bpa-free-water-bottles.*)

Hydros Filtering Water Bottles dated Sep. 19, 2011. found online  
[Apr. 25, 2015] [http://www.onlineprnews.com/news/169792-1316453211-hydros-filtering-water-bottles-show-how-sustainability-is-sexy-at-natural-products-expo-east.html.\\*](http://www.onlineprnews.com/news/169792-1316453211-hydros-filtering-water-bottles-show-how-sustainability-is-sexy-at-natural-products-expo-east.html.*)

(Continued)

*Primary Examiner* — Robert M Spear

*Assistant Examiner* — Marissa J Cash

(74) *Attorney, Agent, or Firm* — Knobbe, Martens, Olson &  
Bear LLP

(57) **CLAIM**

The ornamental design for a bottle, as shown and described.

**DESCRIPTION**

FIG. 1 is a front perspective view of another embodiment of  
a bottle in accordance with our new design;

FIG. 2 is a front elevational view of the bottle shown in FIG.  
1;

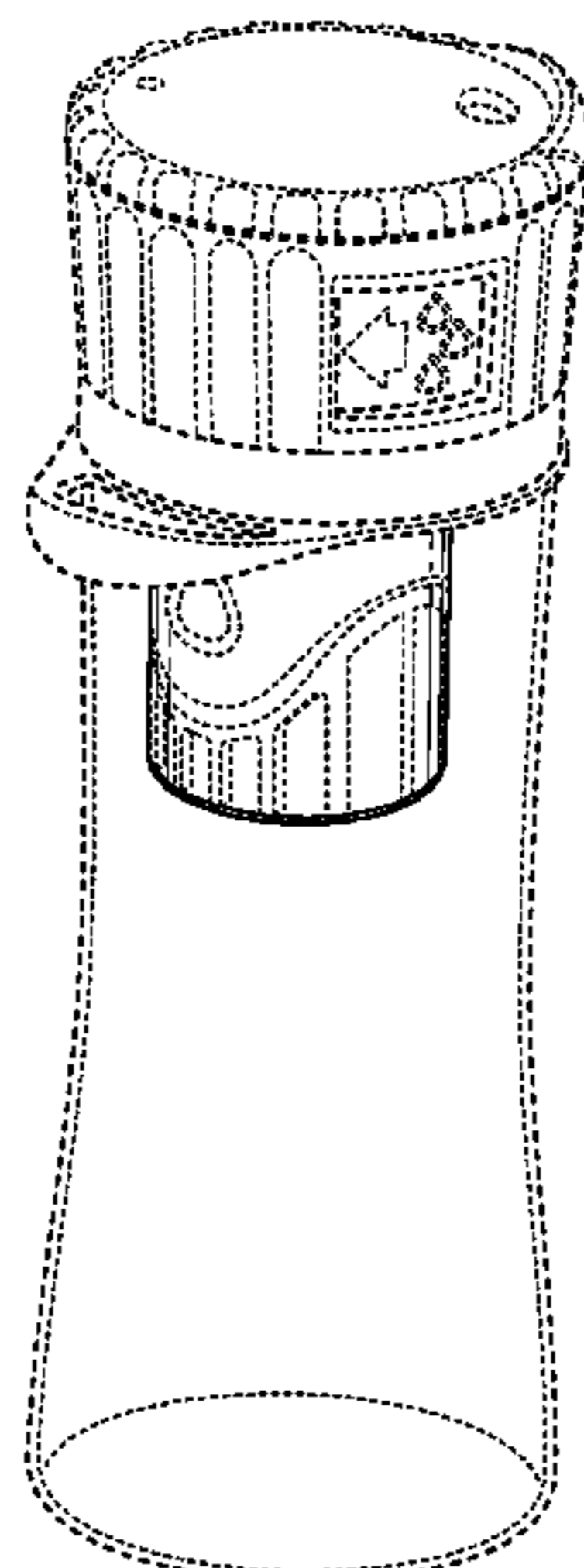
FIG. 3 is a rear elevational view of the bottle shown in FIG. 1;  
FIG. 4 is a right-side elevational view of the bottle shown in  
FIG. 1;

FIG. 5 is a left-side elevational view of the bottle shown in  
FIG. 1;

FIG. 6 is a top plan view of the bottle shown in FIG. 1; and,  
FIG. 7 is a bottom plan view of the bottle shown in FIG. 1.

In the drawings, the broken lines depict environmental sub-  
ject matter only and form no part of the claimed design.

**1 Claim, 6 Drawing Sheets**



(56)

**References Cited**

U.S. PATENT DOCUMENTS

D642,916	S *	8/2011	Handy .....	D9/448
8,113,359	B2 *	2/2012	Perryman .....	210/464
D696,892	S *	1/2014	Bretillot .....	D7/316
2001/0035428	A1	11/2001	Shipilevsky	
2003/0111495	A1	6/2003	Parve et al.	
2007/0102332	A1	5/2007	Bommi et al.	
2010/0219151	A1	9/2010	Risheq	
2011/0117257	A1	5/2011	Sturgess	
2012/0055862	A1	3/2012	Parekh et al.	

OTHER PUBLICATIONS

Hydros 4 Bottle Family Gift Pack dated 2011. found online [Apr. 25, 2011] <http://www.hydrosbottle.com/shop/hydros-5pack.html>.\*

International Search Report and Written Opinion for PCT/US2012/56642 dated Jan. 22, 2013.

Ubergizmo, "Binibottle Design Is Revolutionary." Oct. 10, 2007, pg. 1 [online] <URL: <http://www.ubergizmo.com/2007/10/binibottle-design-is-revolutionary/>> [retrieved Dec. 7, 2012].

\* cited by examiner

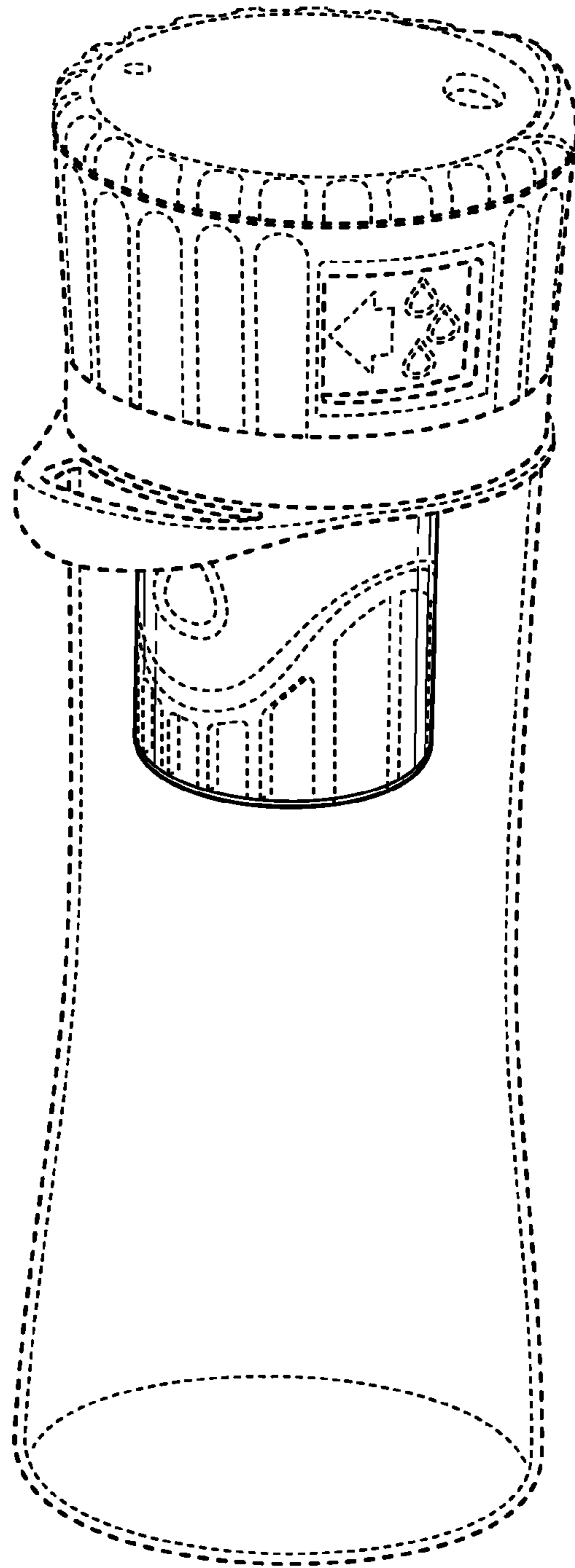


FIG. 1

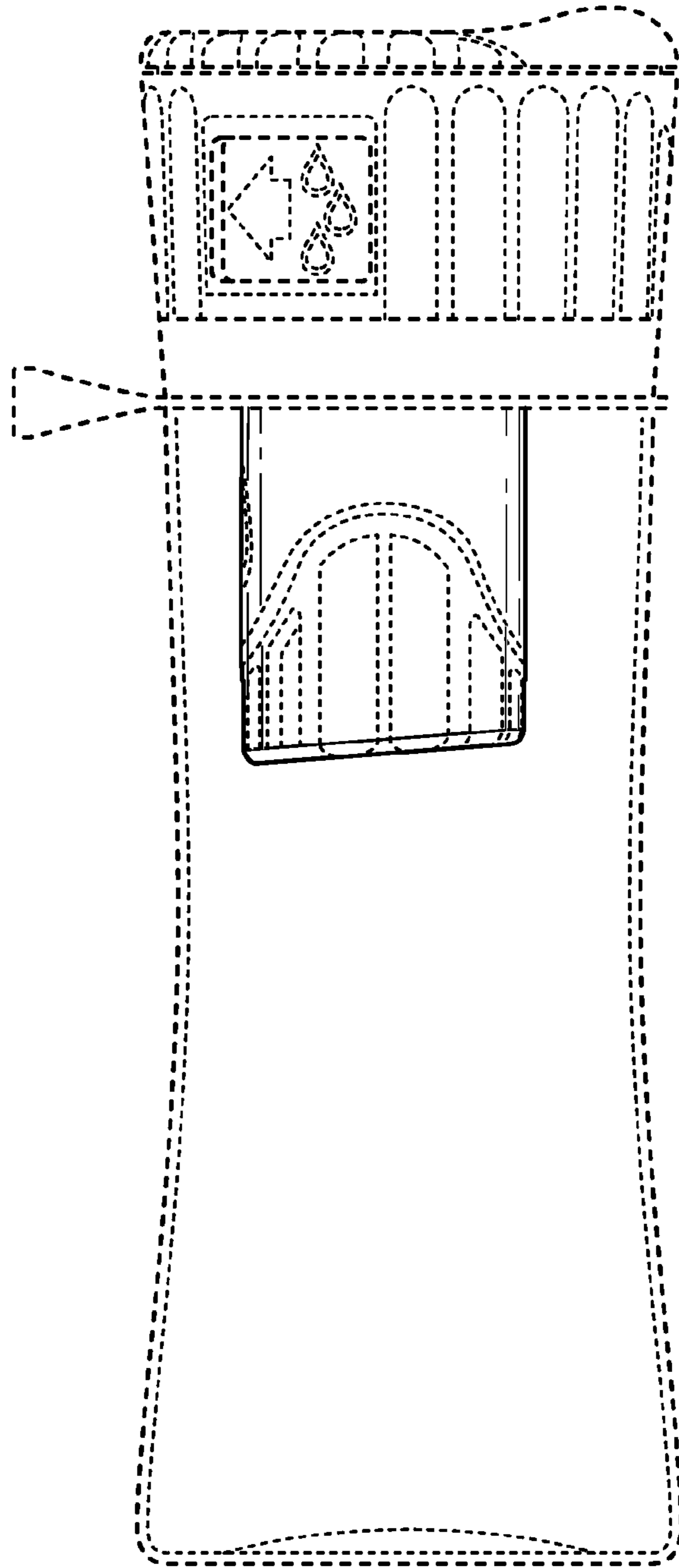


FIG. 2

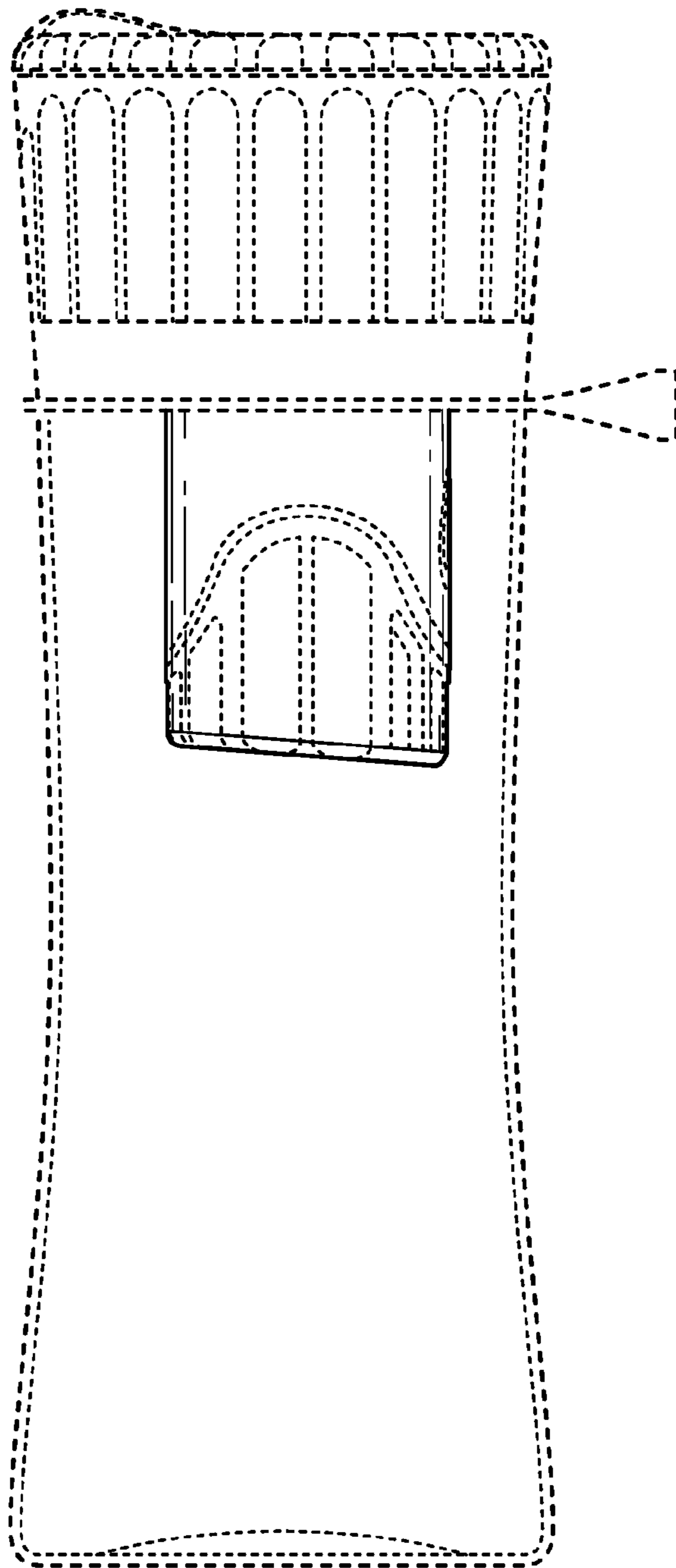


FIG. 3

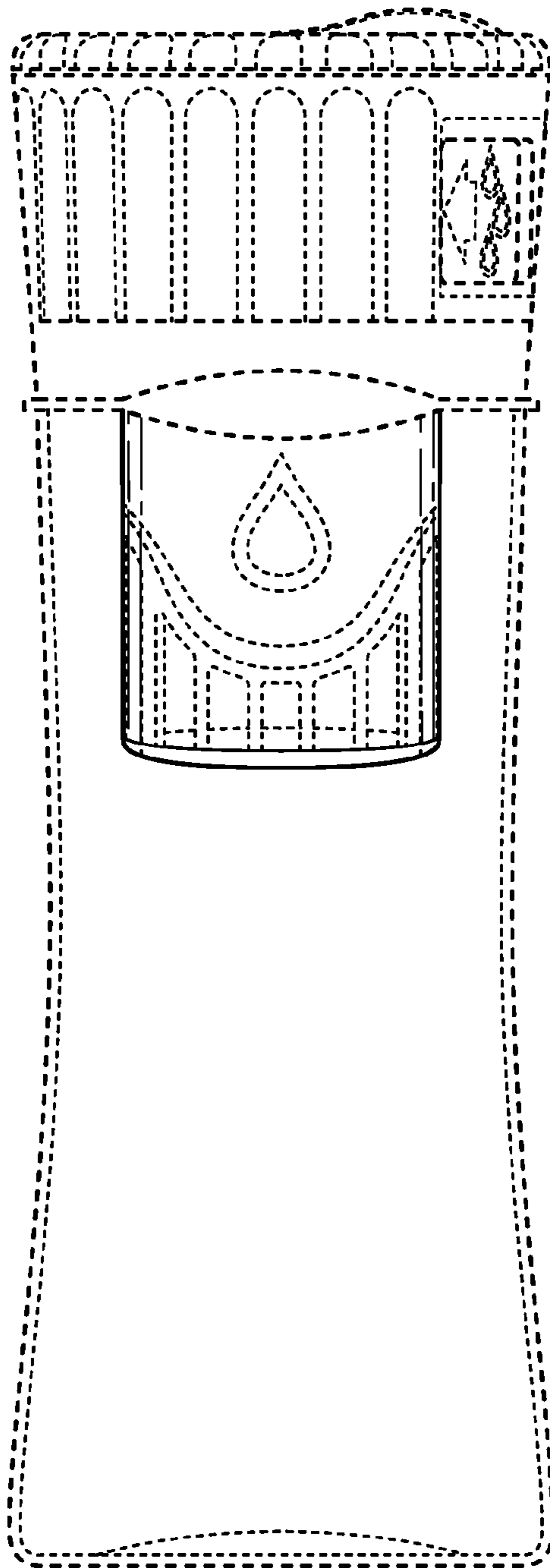


FIG. 4

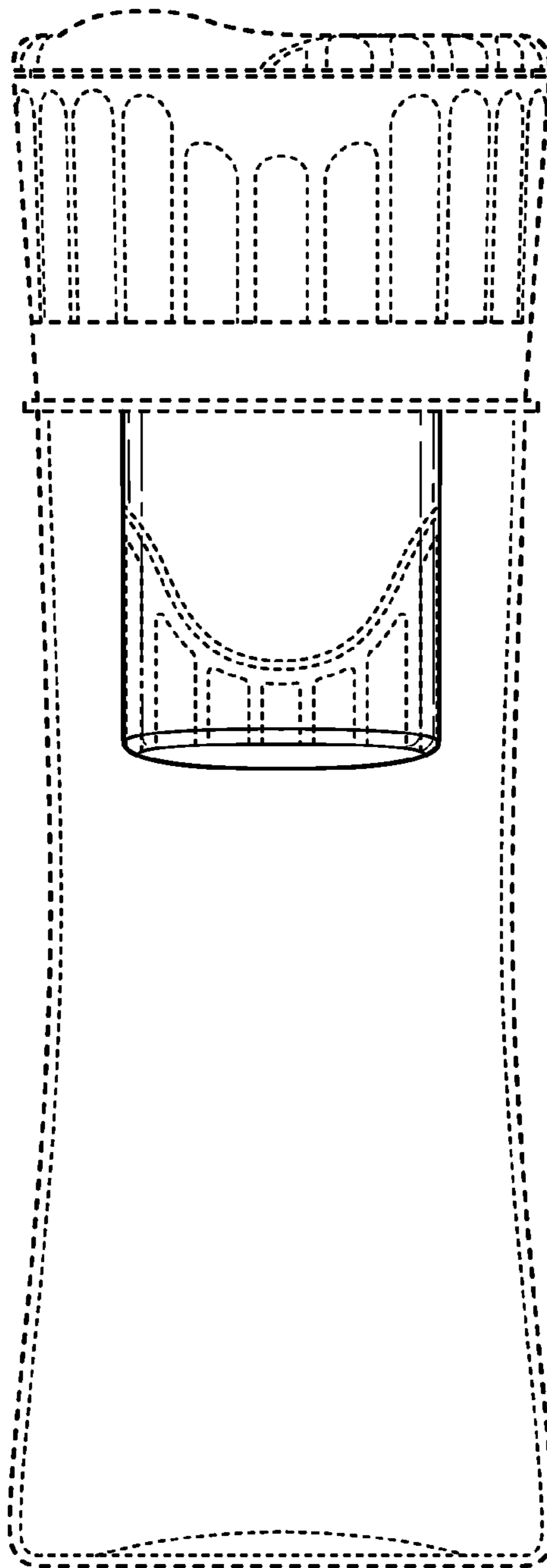
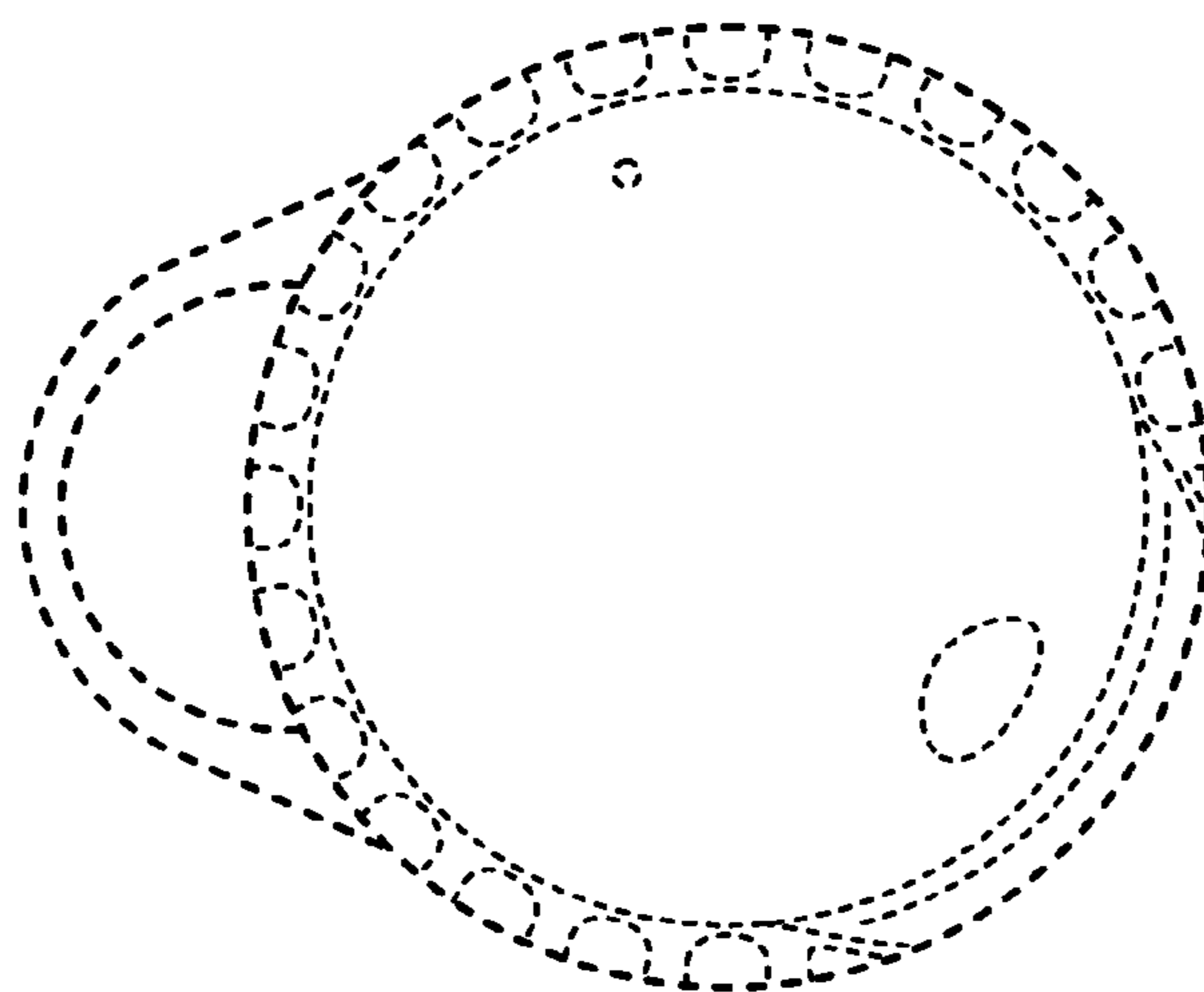
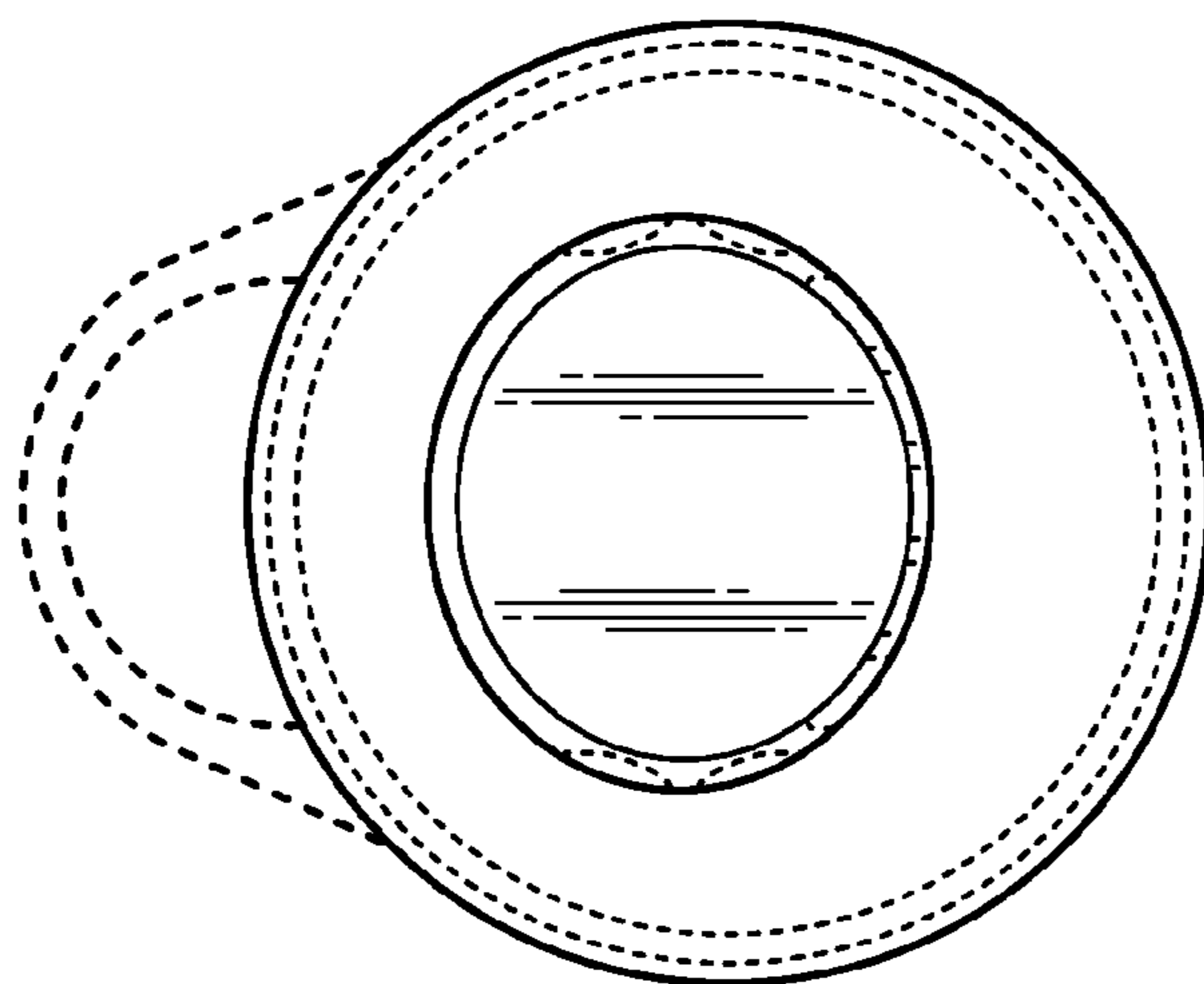


FIG. 5



*FIG. 6*



*FIG. 7*