



US00D727678S

(12) **United States Design Patent**
Minor et al.

(10) **Patent No.:** **US D727,678 S**
(45) **Date of Patent:** **** Apr. 28, 2015**

(54) **DEEP FRY COOKER**

(71) Applicants: **Billy V. Minor**, Bartlesville, OK (US);
Brenda G. Minor, Bartlesville, OK
(US); **Dustin A. Minor**, Bartlesville, OK
(US); **Zackery D. Minor**, Bartlesville,
OK (US)

(72) Inventors: **Billy V. Minor**, Bartlesville, OK (US);
Brenda G. Minor, Bartlesville, OK
(US); **Dustin A. Minor**, Bartlesville, OK
(US); **Zackery D. Minor**, Bartlesville,
OK (US)

(**) Term: **14 Years**

(21) Appl. No.: **29/472,251**

(22) Filed: **Nov. 11, 2013**

(51) **LOC (10) Cl.** **07-02**

(52) **U.S. Cl.**
USPC **D7/354**

(58) **Field of Classification Search**
CPC A23L 1/01; A23L 1/0107; A23L 1/0114;
A47J 27/00; A47J 27/08; A47J 27/09; A47J
27/092; A47J 36/025; A47J 36/06; A47J
36/08; A47J 36/10; A47J 36/12; A47J 36/165;
A47J 36/18; A47J 36/20; A47J 36/22; A47J
43/18; A47J 37/00; A47J 37/049; A47J
37/0786; A47J 37/12; A47J 37/1204; A47J
37/1209; A47J 37/1214; A47J 37/1219;
A47J 37/1266; A47J 37/1285; A47J 37/129;
A47J 37/1295; G07F 17/0064; G07F 17/0078;
G07F 17/0085; H05B 6/02; H05B 6/06;
H05B 6/12
USPC D7/323, 354-361, 396.6, 409; D8/1;
D24/130; D26/110; D30/121;
99/324-325, 330-339, 345-348, 359,
99/403, 410, 411, 413, 419, 426, 467, 468,
99/644; 126/1 R, 21 A, 21 R, 384.1, 389.1,
126/390.1; 219/385-386, 438, 440-441,
219/447.1, 620-622; 220/573.1-573.5,
220/912; 426/438

See application file for complete search history.

(56) **References Cited**

U.S. PATENT DOCUMENTS

D39,566	S	*	9/1908	Verbeck	D26/110
D330,420	S	*	10/1992	Nottage	D24/130
D362,784	S	*	10/1995	Sperry et al.	D7/396.6
5,893,320	A	*	4/1999	Demaree	99/419
6,119,585	A	*	9/2000	Guidry	99/345
6,192,792	B1	*	2/2001	Gremillion	99/426
6,349,632	B1	*	2/2002	Beck, Jr.	99/345
6,467,399	B1	*	10/2002	Boutte	99/347
D522,184	S	*	5/2006	Tippetts	D30/121
7,063,007	B2	*	6/2006	Citrynell et al.	99/347
D564,286	S	*	3/2008	Zemel	D7/354
D573,838	S	*	7/2008	Jones	D7/409
D668,122	S	*	10/2012	Caruso	D8/1

* cited by examiner

Primary Examiner — Ricky Pham

(74) *Attorney, Agent, or Firm* — Head, Johnson & Kachigian, P.C.

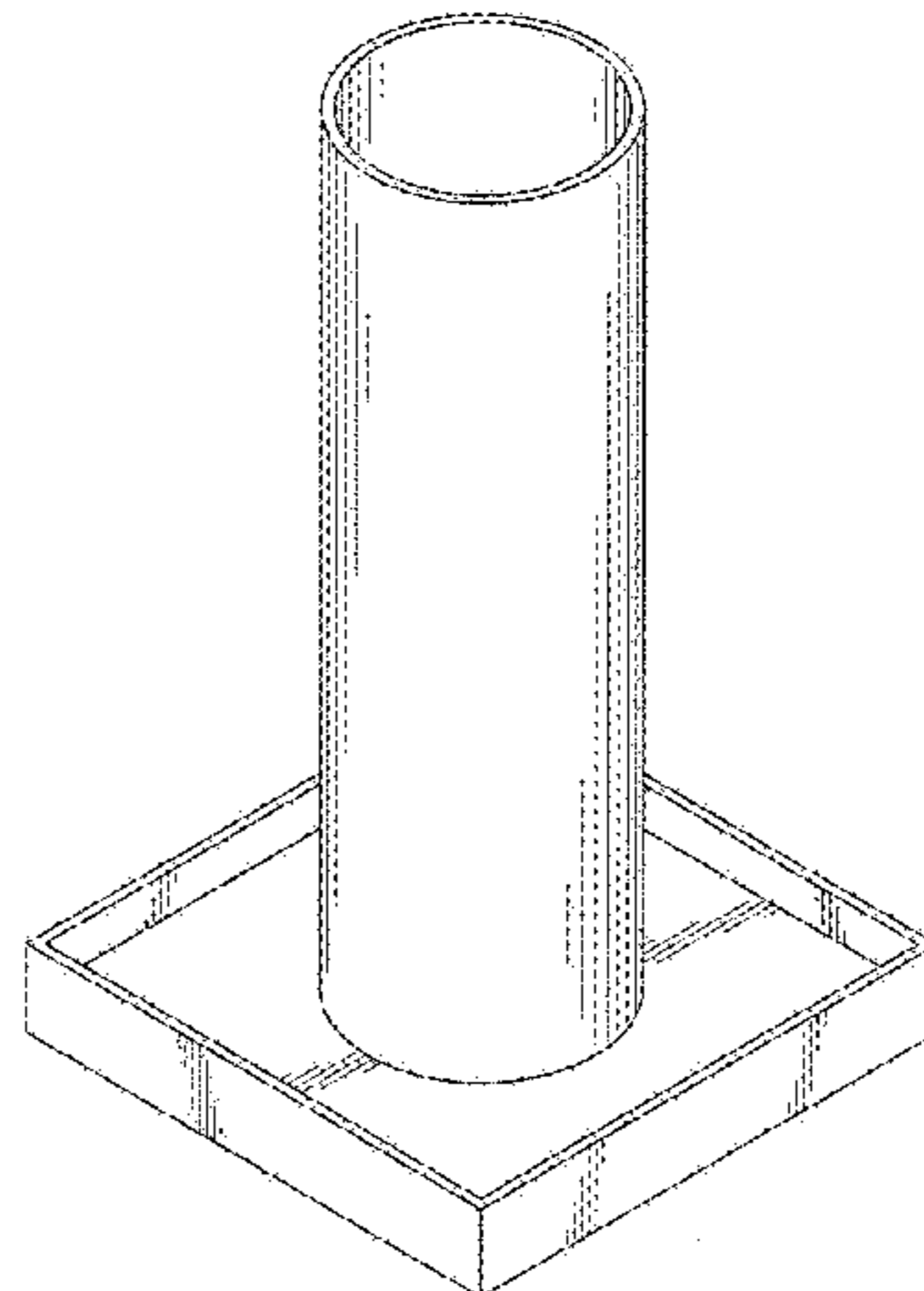
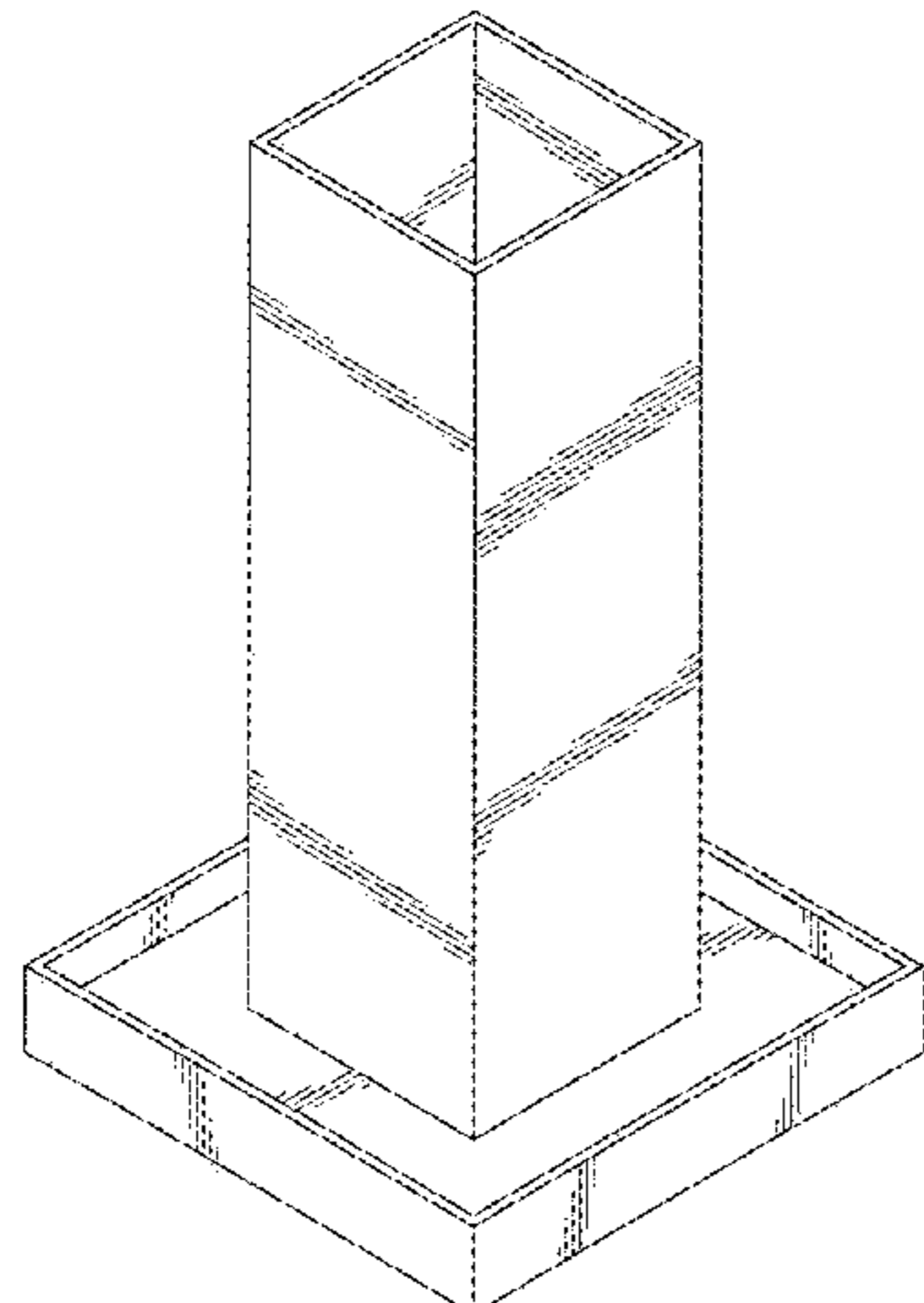
(57) **CLAIM**

The ornamental design for a deep fry cooker, as shown and described.

DESCRIPTION

FIG. 1 is a perspective view of a first preferred embodiment of a deep fry cooker constructed in accordance with the present invention;
FIG. 2 is a top view thereof;
FIG. 3 is a right side view thereof, with the left side, front and rear being mirror images thereof;
FIG. 4 is a bottom view thereof;
FIG. 5 is a perspective view of a second preferred embodiment of a deep fry cooker constructed in accordance with the present invention;
FIG. 6 is a top view thereof;
FIG. 7 is a right side view thereof, with the left side, front and rear being mirror images thereof; and,
FIG. 8 is a bottom view thereof.

1 Claim, 4 Drawing Sheets



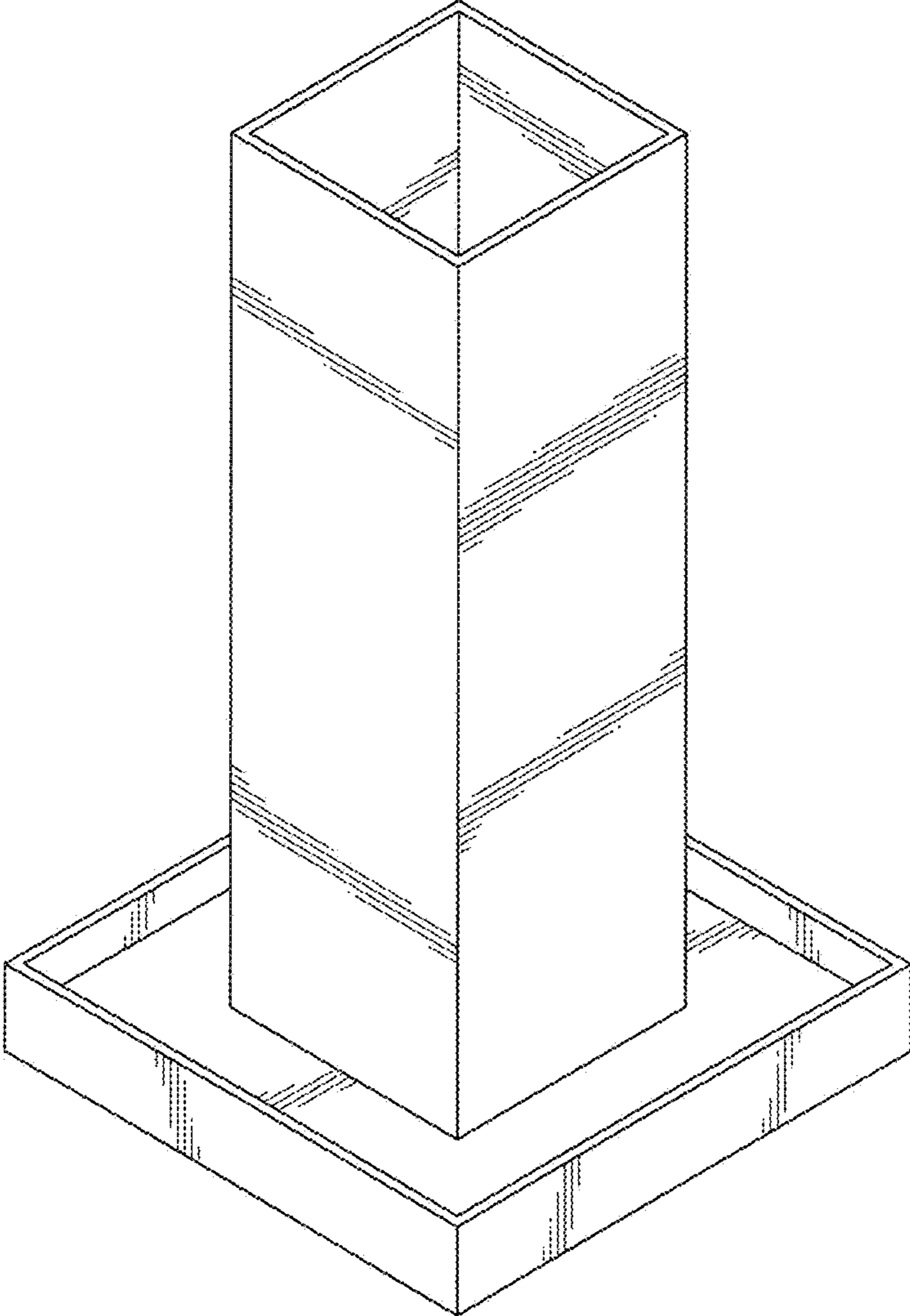


FIG. 1

FIG. 2

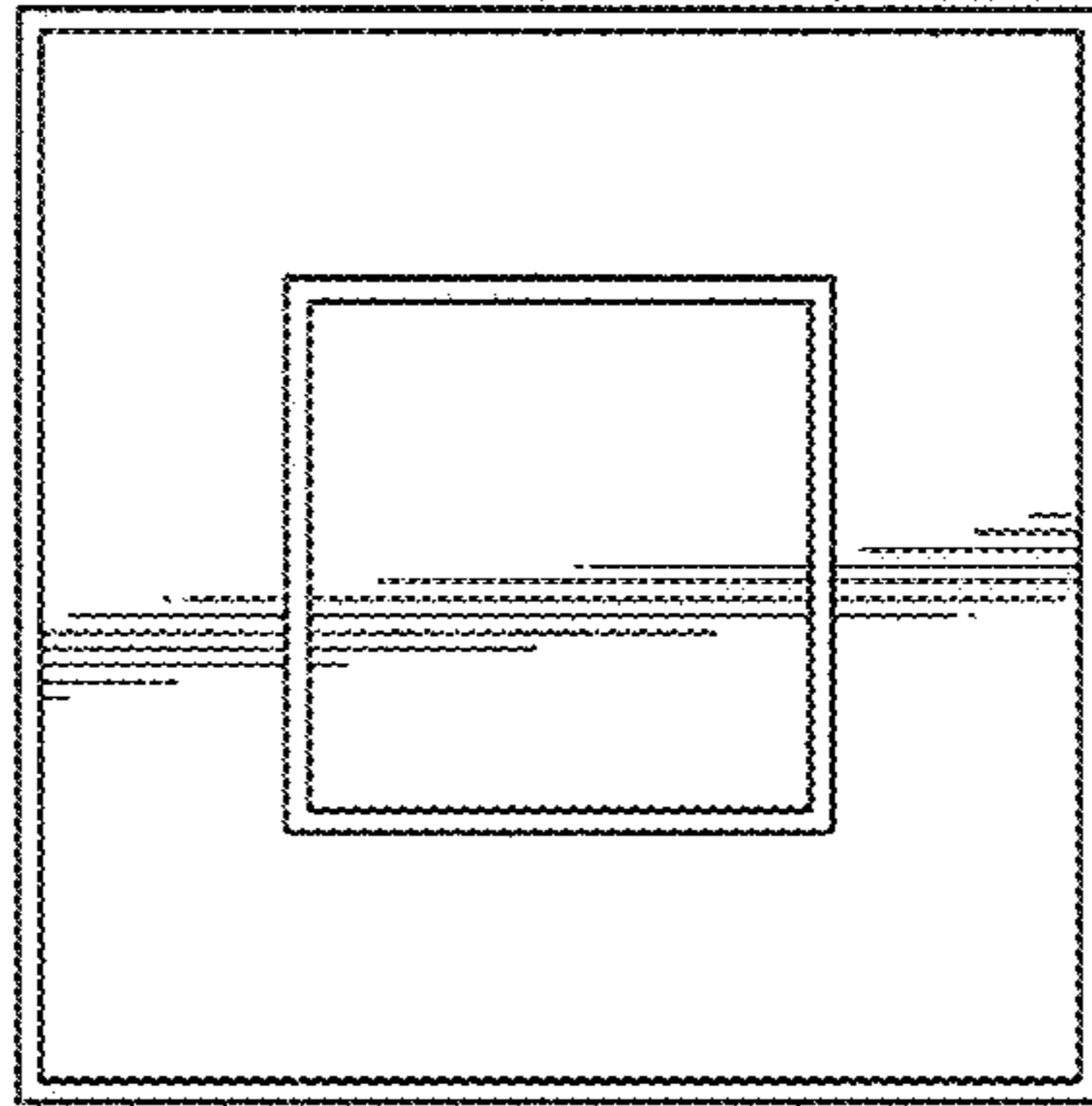


FIG. 3

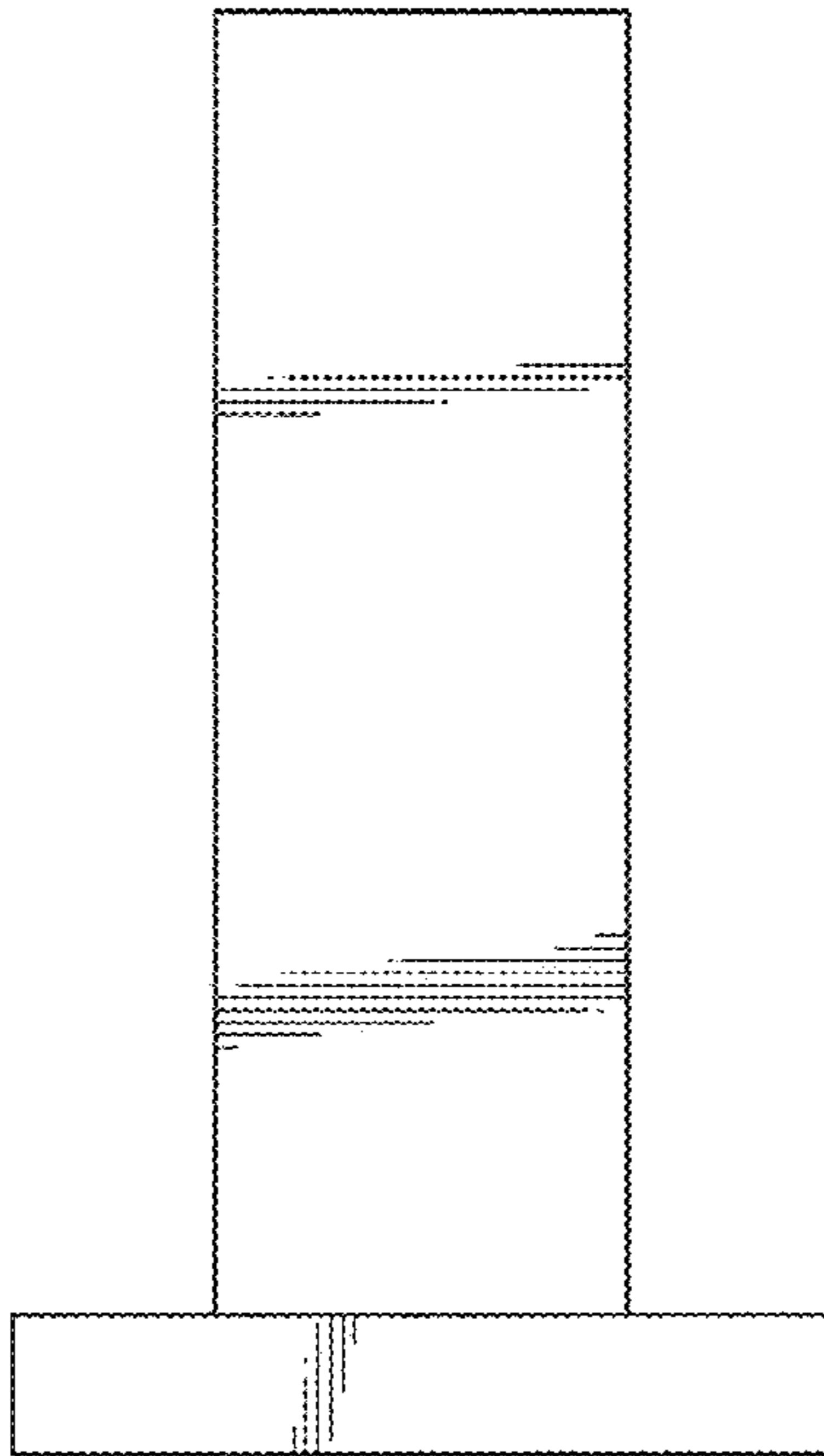
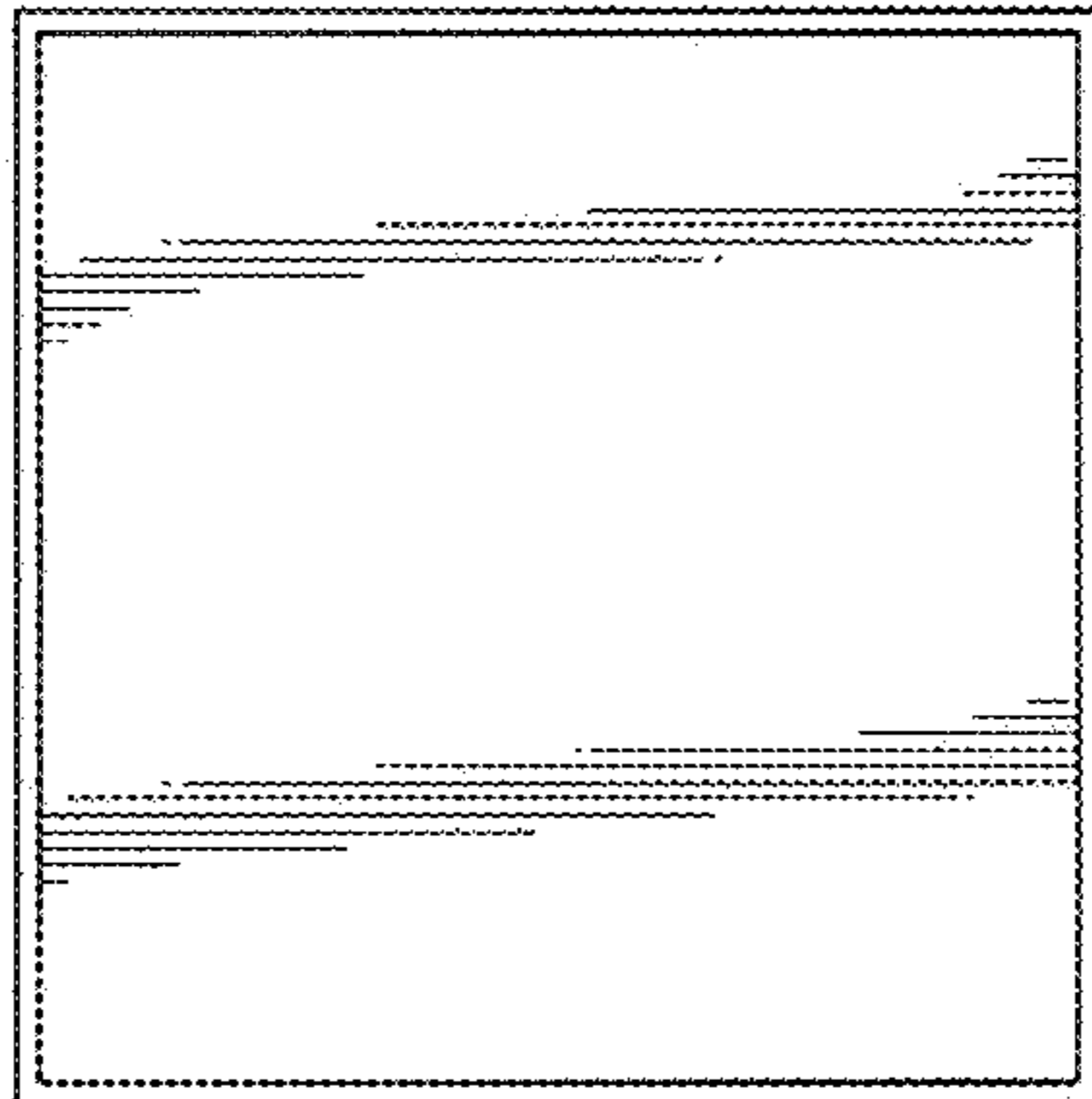


FIG. 4



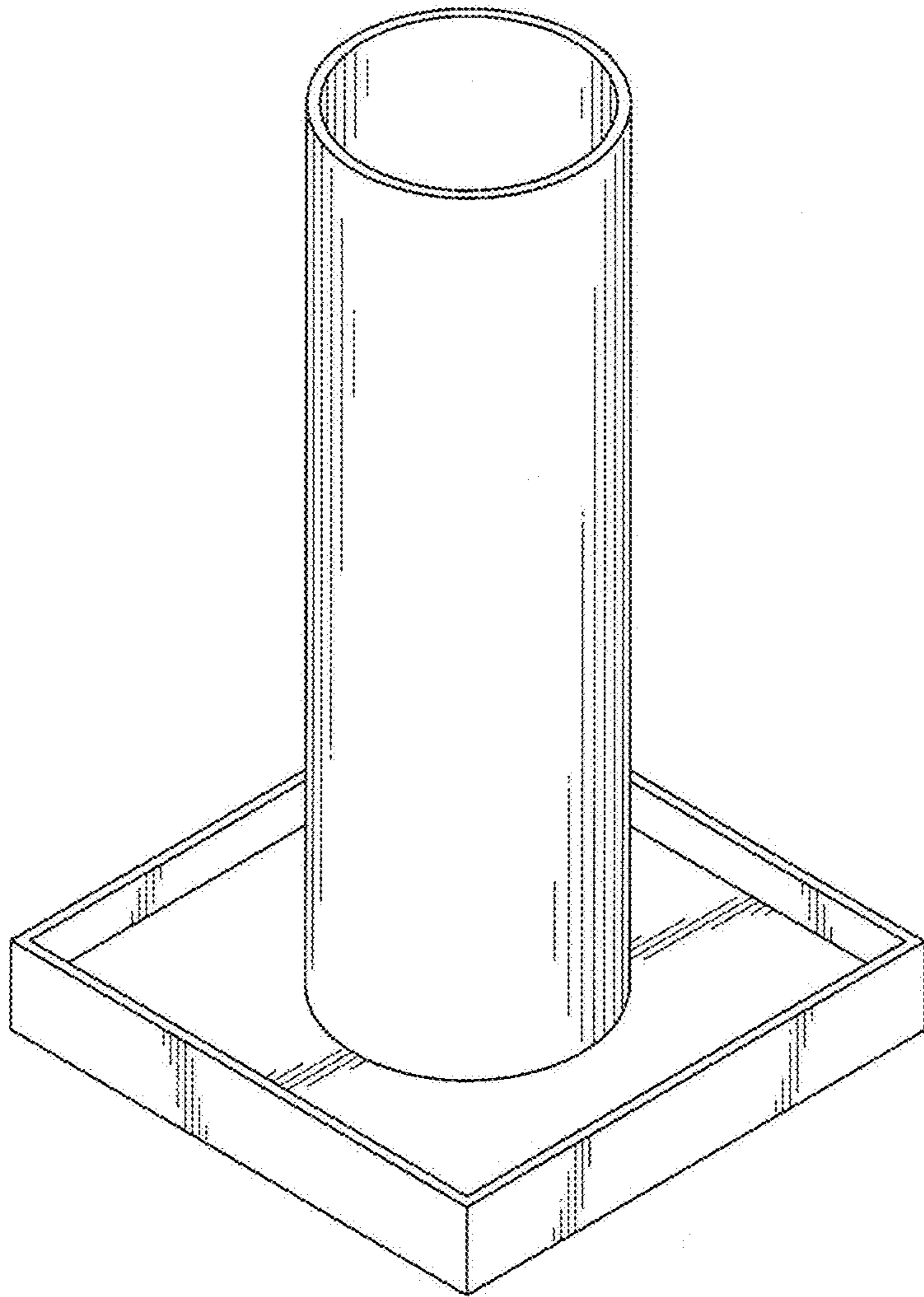


FIG. 5

FIG. 6

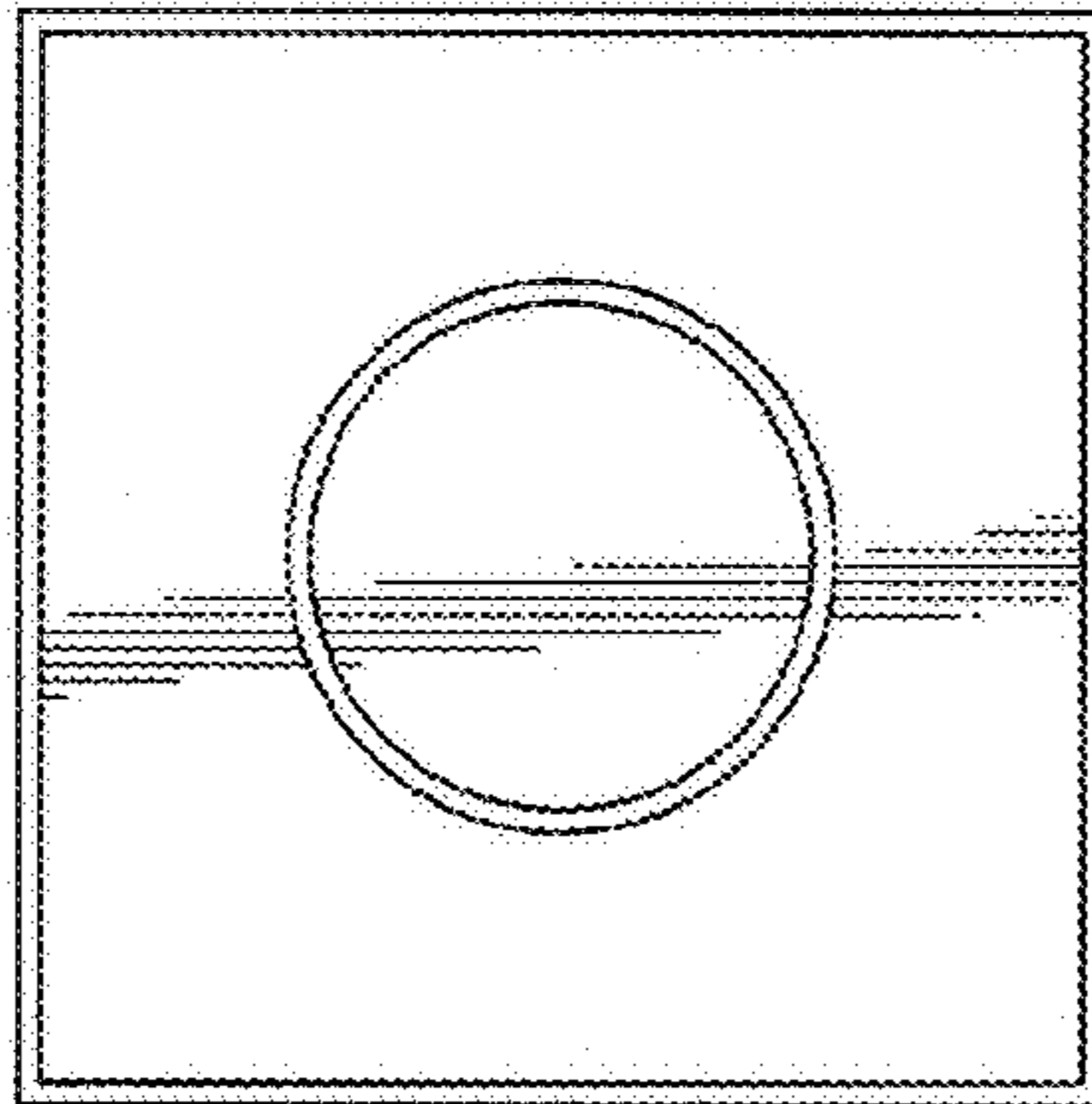


FIG. 7

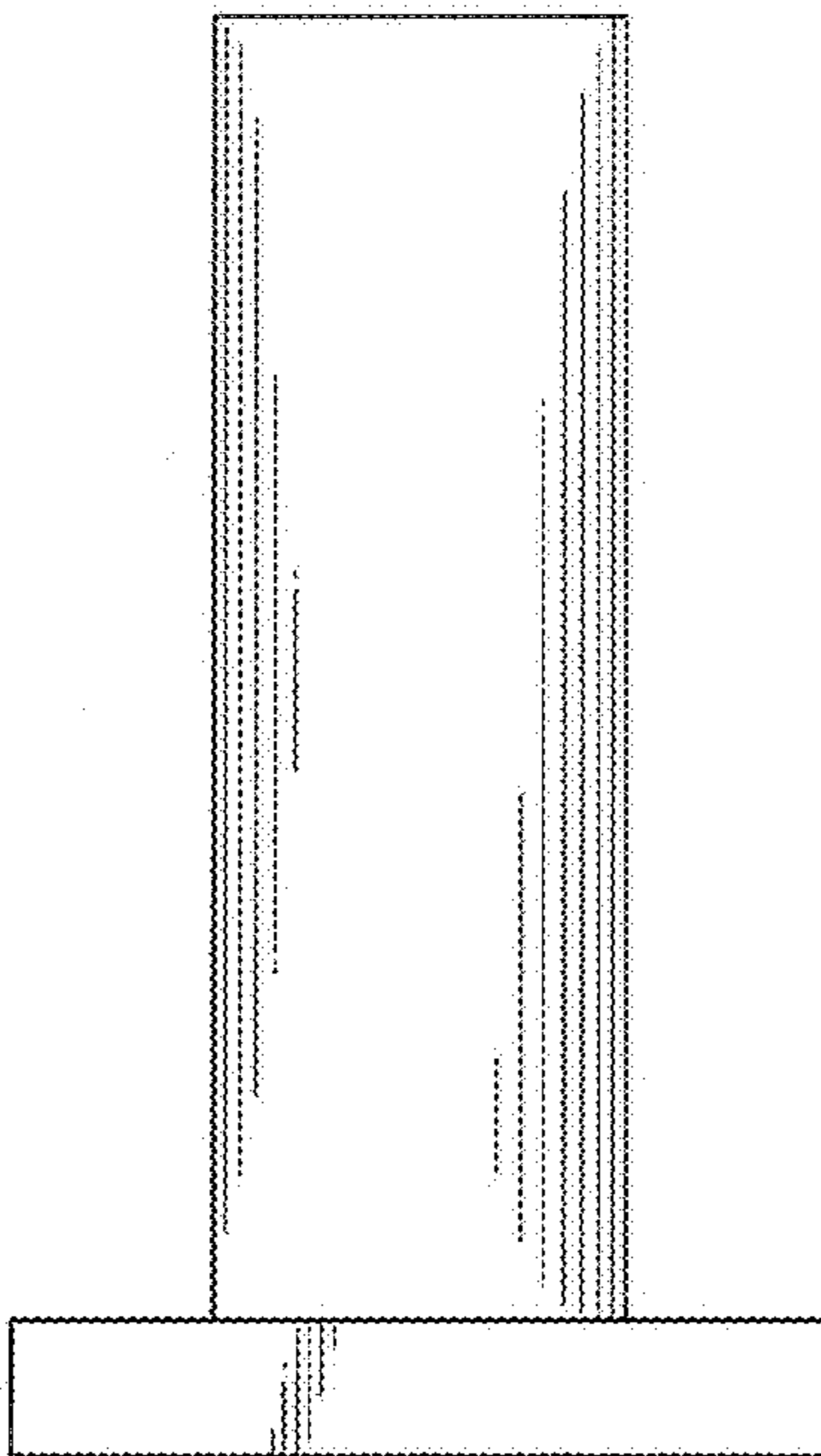


FIG. 8

