



US00D727677S

(12) **United States Design Patent**
Walker et al.

(10) **Patent No.:** **US D727,677 S**
(45) **Date of Patent:** **** Apr. 28, 2015**

(54) **STOVE**

(71) Applicant: **EnviroFit International, Ltd.**, Fort Collins, CO (US)

(72) Inventors: **Jesse Walker**, Fort Collins, CO (US);
Nathan Lorenz, Laporte, CO (US)

(73) Assignee: **Envirofit International, Inc.**, Fort Collins, CO (US)

(**) Term: **14 Years**

(21) Appl. No.: **29/494,676**

(22) Filed: **Jun. 23, 2014**

(51) **LOC (10) Cl.** **07-02**

(52) **U.S. Cl.**
USPC **D7/337**

(58) **Field of Classification Search**
USPC D7/332, 335-337, 402-403, 405;
126/25 R, 29-30, 9 R, 9 B, 38, 40, 50,
126/41 R, 43-44; 99/450
See application file for complete search history.

(56) **References Cited**

U.S. PATENT DOCUMENTS

1,096,069	A *	5/1914	Strobl	126/43
D120,152	S *	4/1940	Tullis	D7/337
D184,450	S *	2/1959	Morton	D7/337
3,213,849	A *	10/1965	Hirsch	126/43
D229,277	S *	11/1973	Ming-Kong	D7/337
4,726,350	A *	2/1988	Steinhauser	126/38
4,776,318	A *	10/1988	Serra et al.	126/38
D355,809	S *	2/1995	Kothrade	D7/337
D357,610	S *	4/1995	Dutro et al.	D7/332

5,954,044	A *	9/1999	Schmidt et al.	126/38
D416,750	S *	11/1999	Persson	D7/337
D424,364	S *	5/2000	Persson	D7/337
6,102,027	A *	8/2000	Tilby	126/38
6,182,651	B1 *	2/2001	Tornsten	126/38
D444,991	S *	7/2001	Measom	D7/337
D446,991	S *	8/2001	Taniguchi et al.	D7/337
D478,771	S *	8/2003	Wu	D7/337
D610,390	S *	2/2010	Nishijima	D7/332
D618,038	S *	6/2010	Davies et al.	D7/337
7,775,203	B1 *	8/2010	Patrick	126/38
D680,799	S *	4/2013	Chung	D7/337
D683,999	S *	6/2013	Karlsson	D7/337
8,695,582	B1 *	4/2014	Lin	126/40
2007/0017499	A1 *	1/2007	Hsu	126/9 R
2012/0073570	A1 *	3/2012	Wall et al.	126/9 R

* cited by examiner

Primary Examiner — Ruth McInroy

(74) *Attorney, Agent, or Firm* — Dorsey & Whitney LLP

(57) **CLAIM**

The ornamental design for a stove, as shown and described.

DESCRIPTION

FIG. 1 is a front perspective view of a stove of the present invention;

FIG. 2 is a front view of the stove of FIG. 1;

FIG. 3 is a rear elevation view of the stove of FIG. 1;

FIG. 4 is a right elevation view of the stove of FIG. 1;

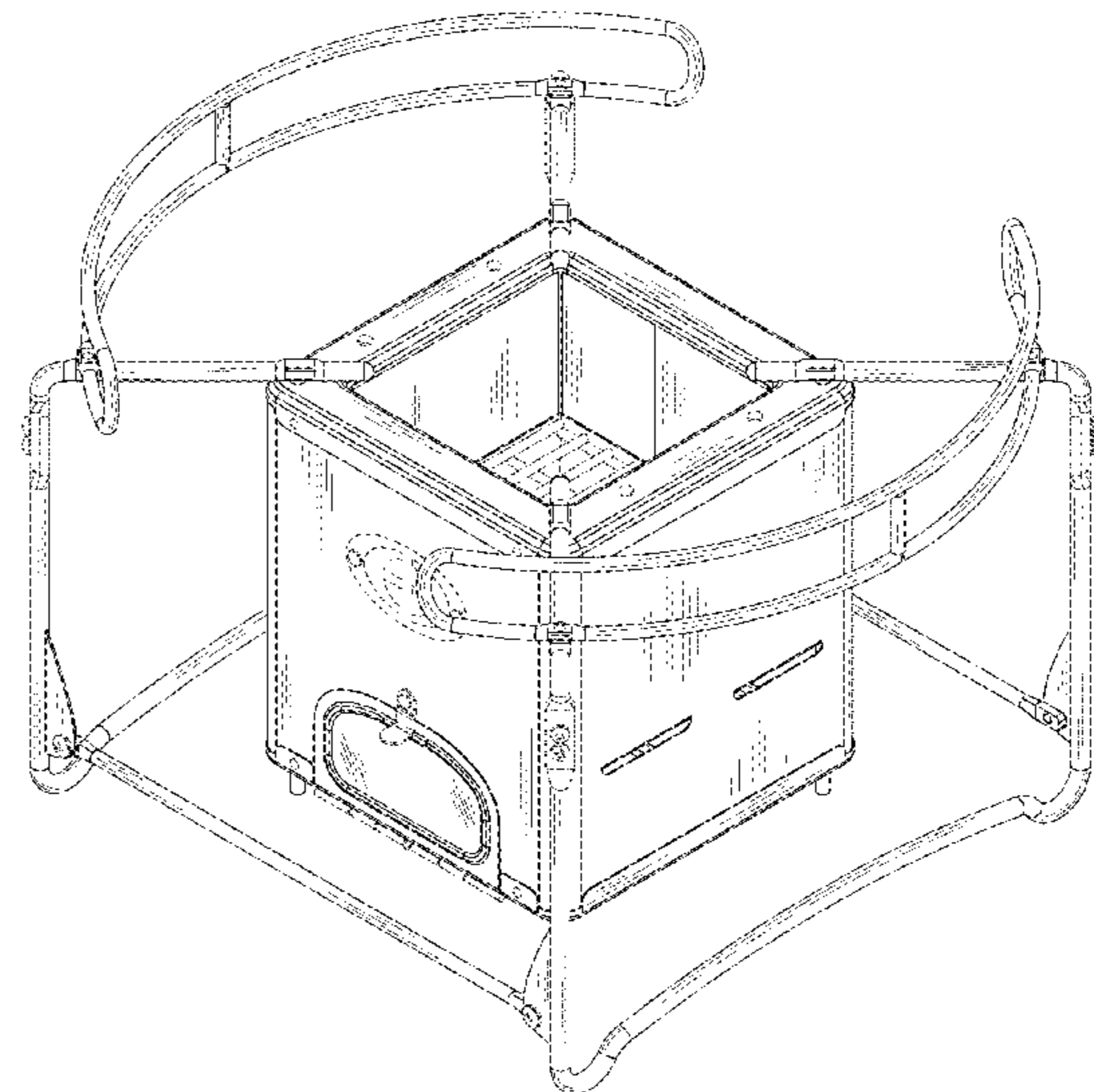
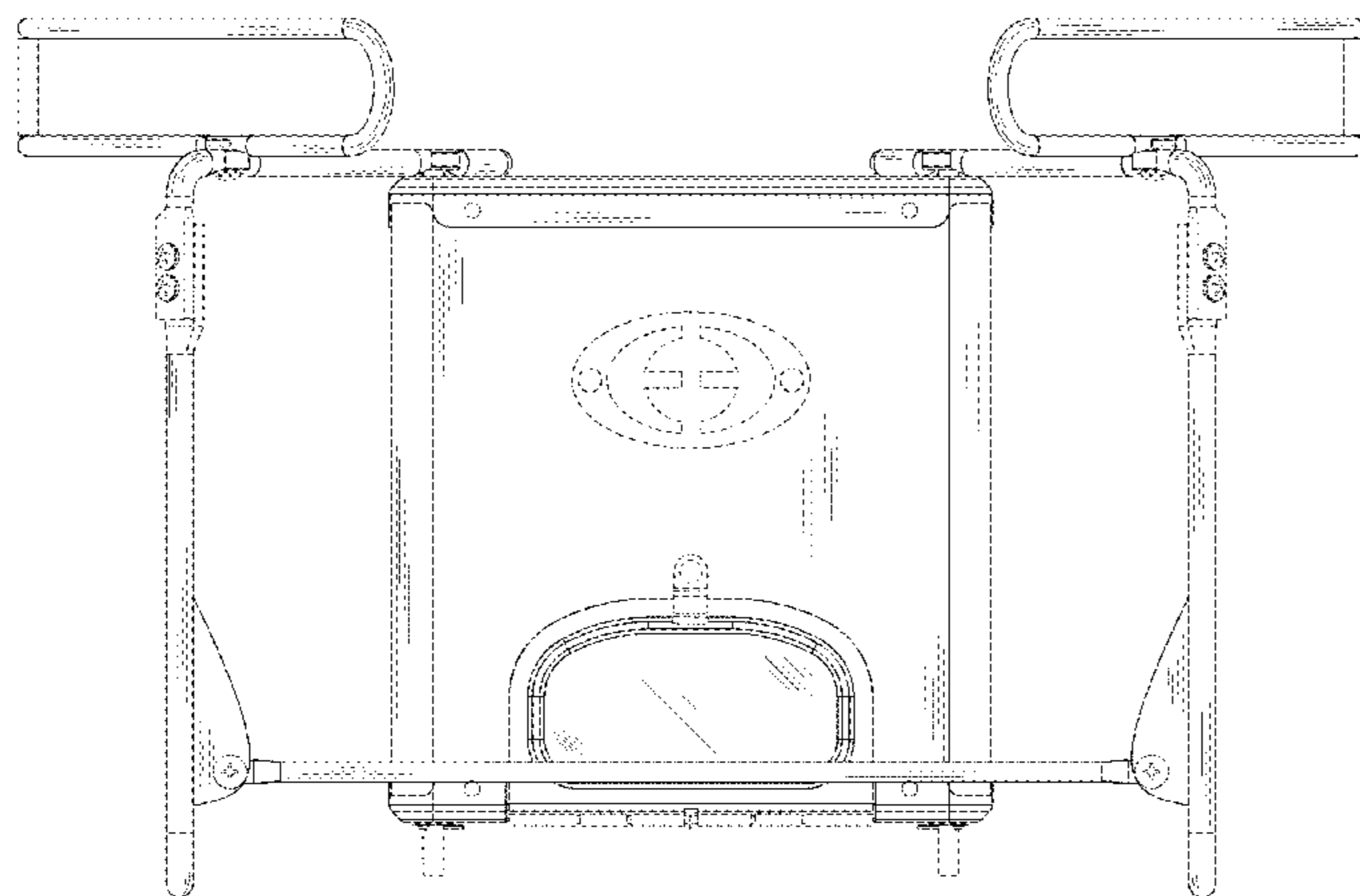
FIG. 5 is a left elevation view of the stove of FIG. 1;

FIG. 6 is a top view of the stove of FIG. 1; and,

FIG. 7 is a bottom view of the stove of FIG. 1.

The broken lines in FIGS. 1-7 represent boundary lines and unclaimed details.

1 Claim, 7 Drawing Sheets



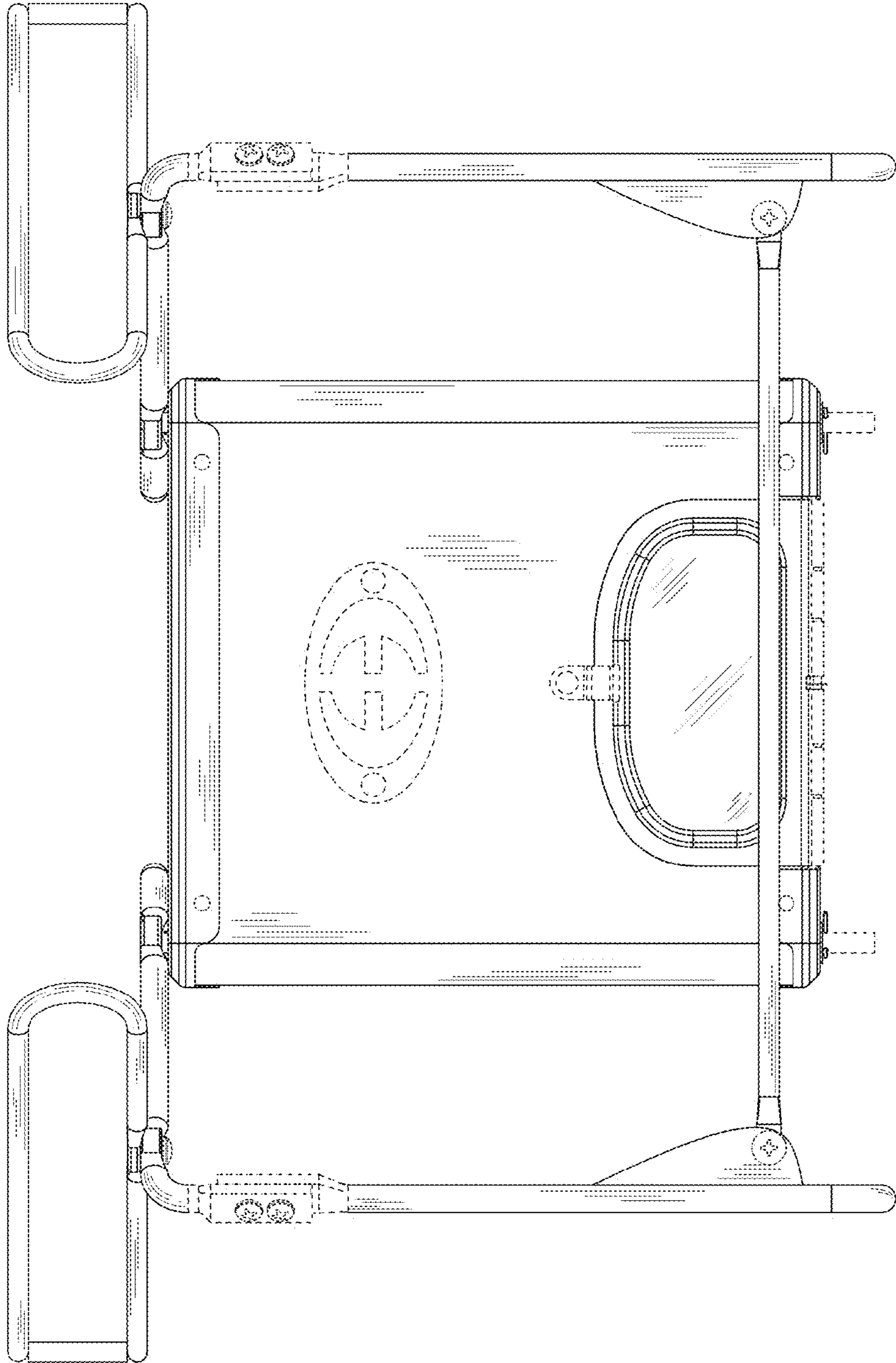


FIG. 1

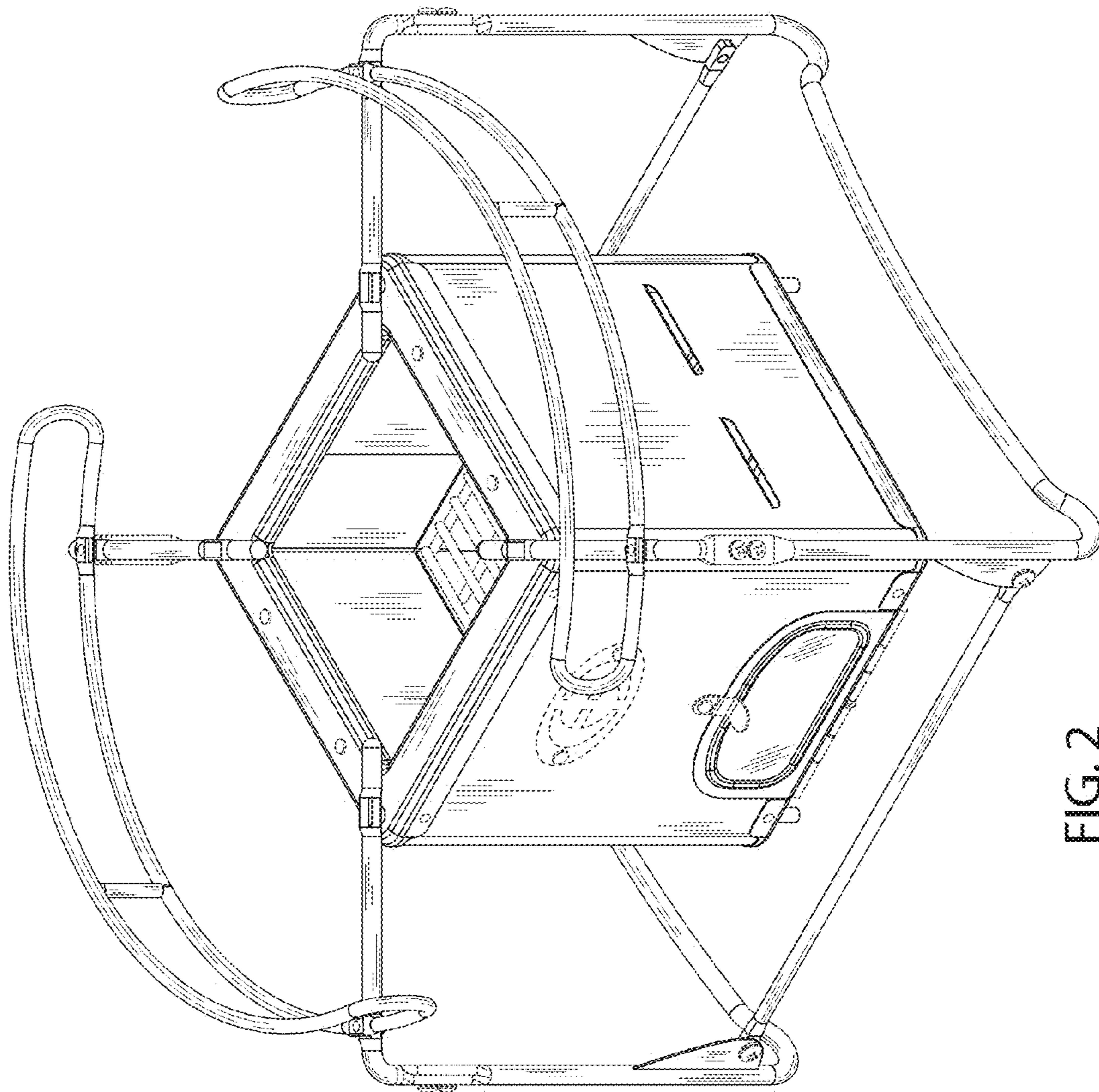


FIG. 2

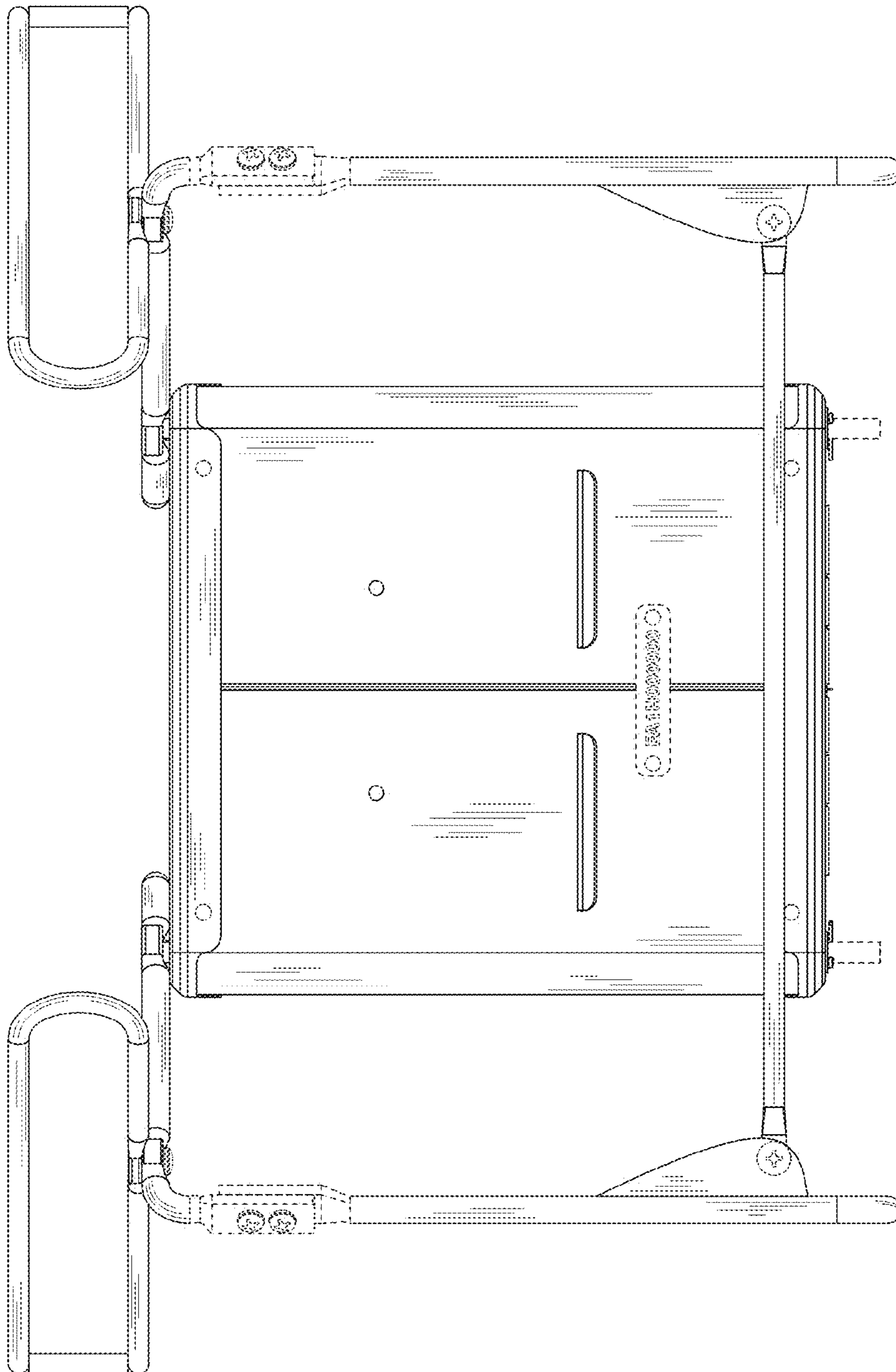


FIG. 3

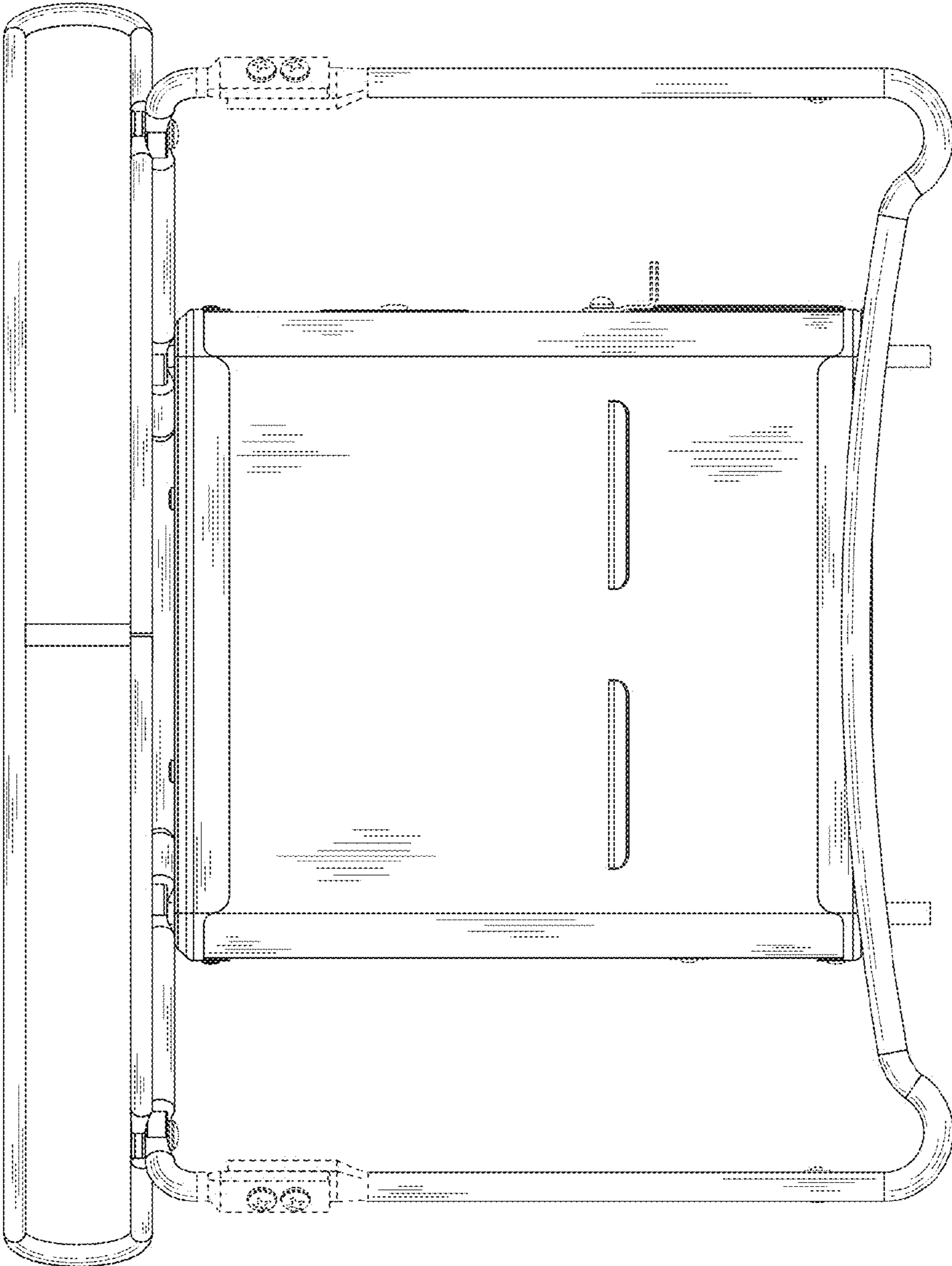


FIG. 4

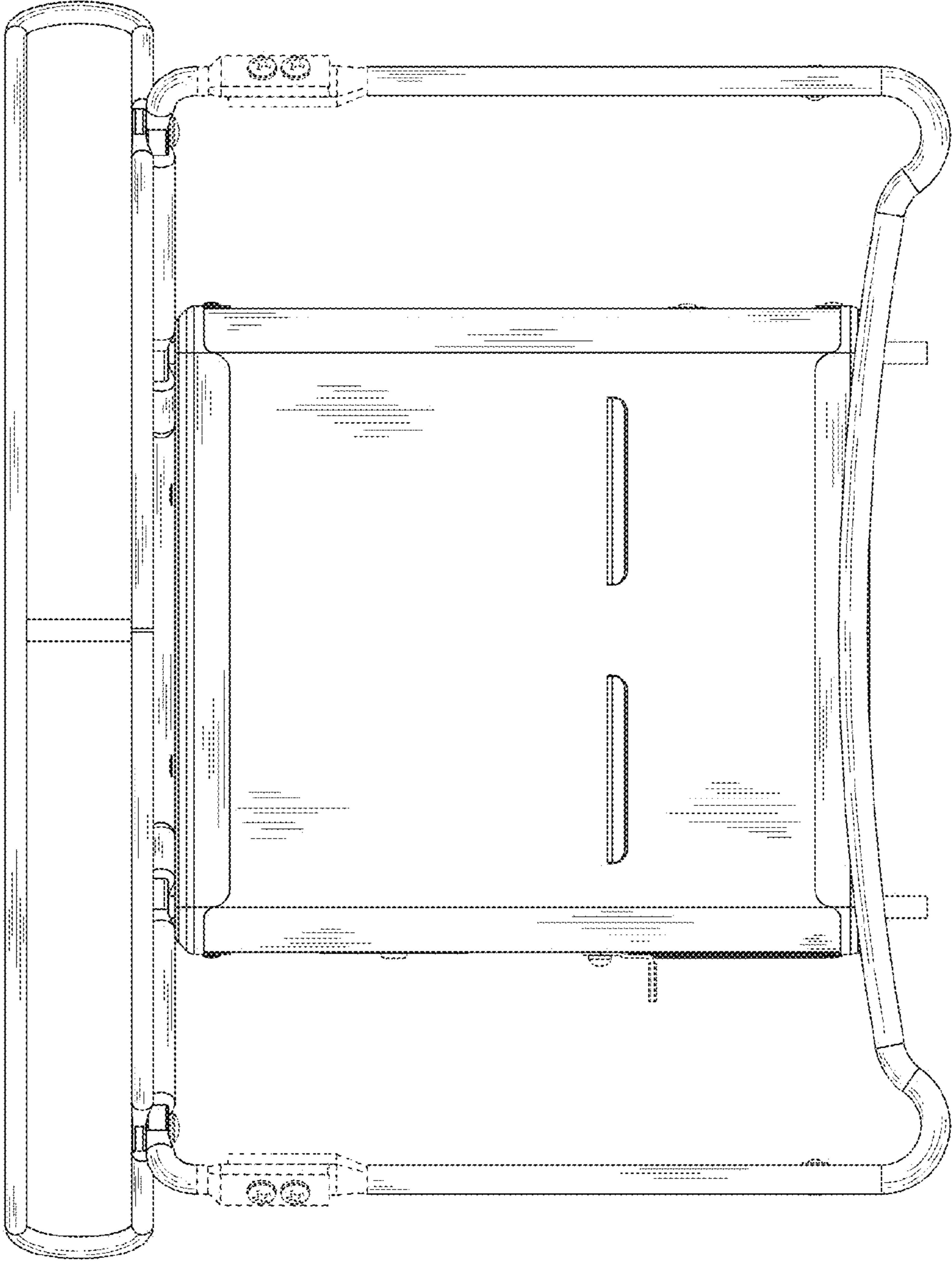


FIG. 5

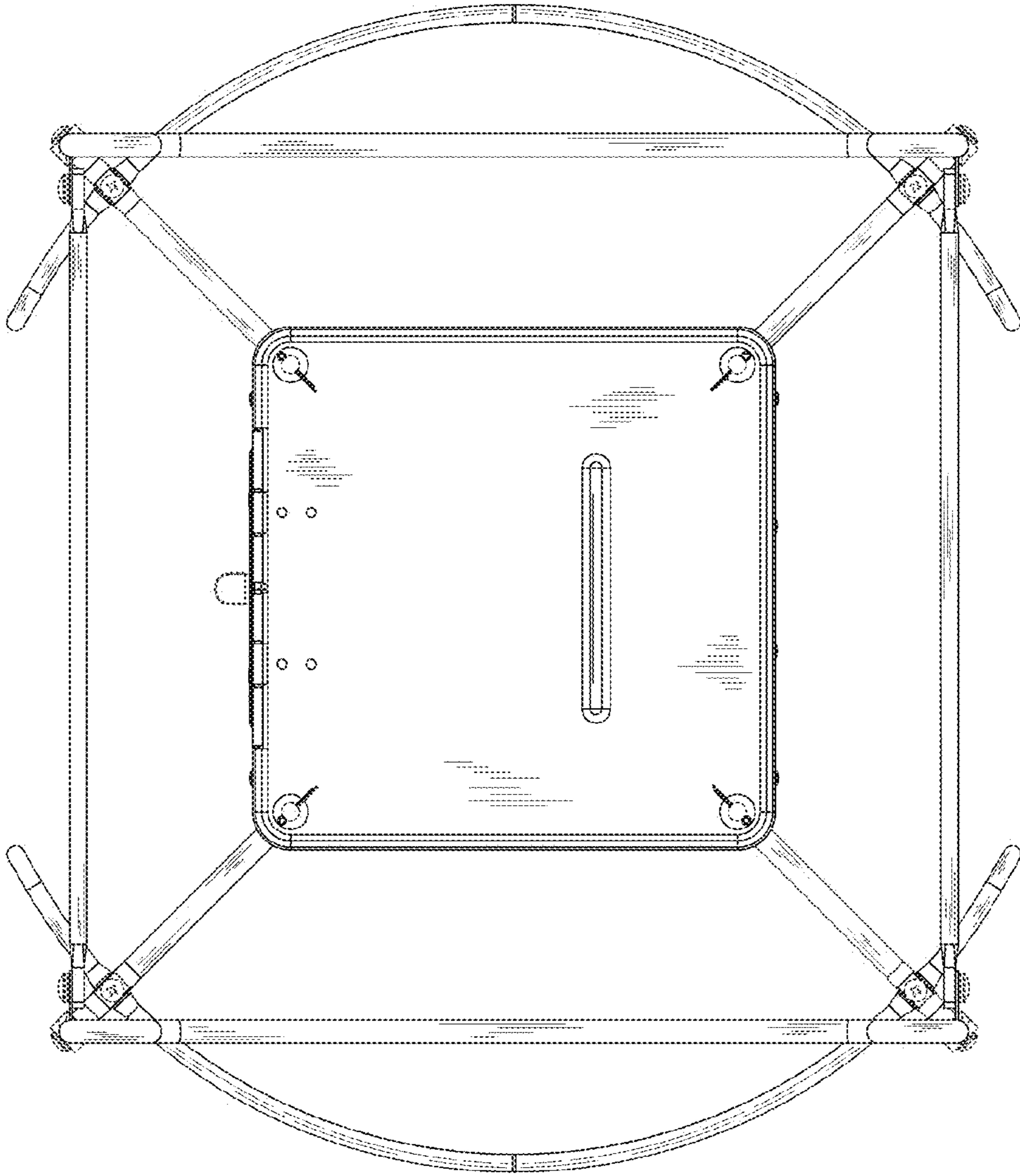


FIG. 6

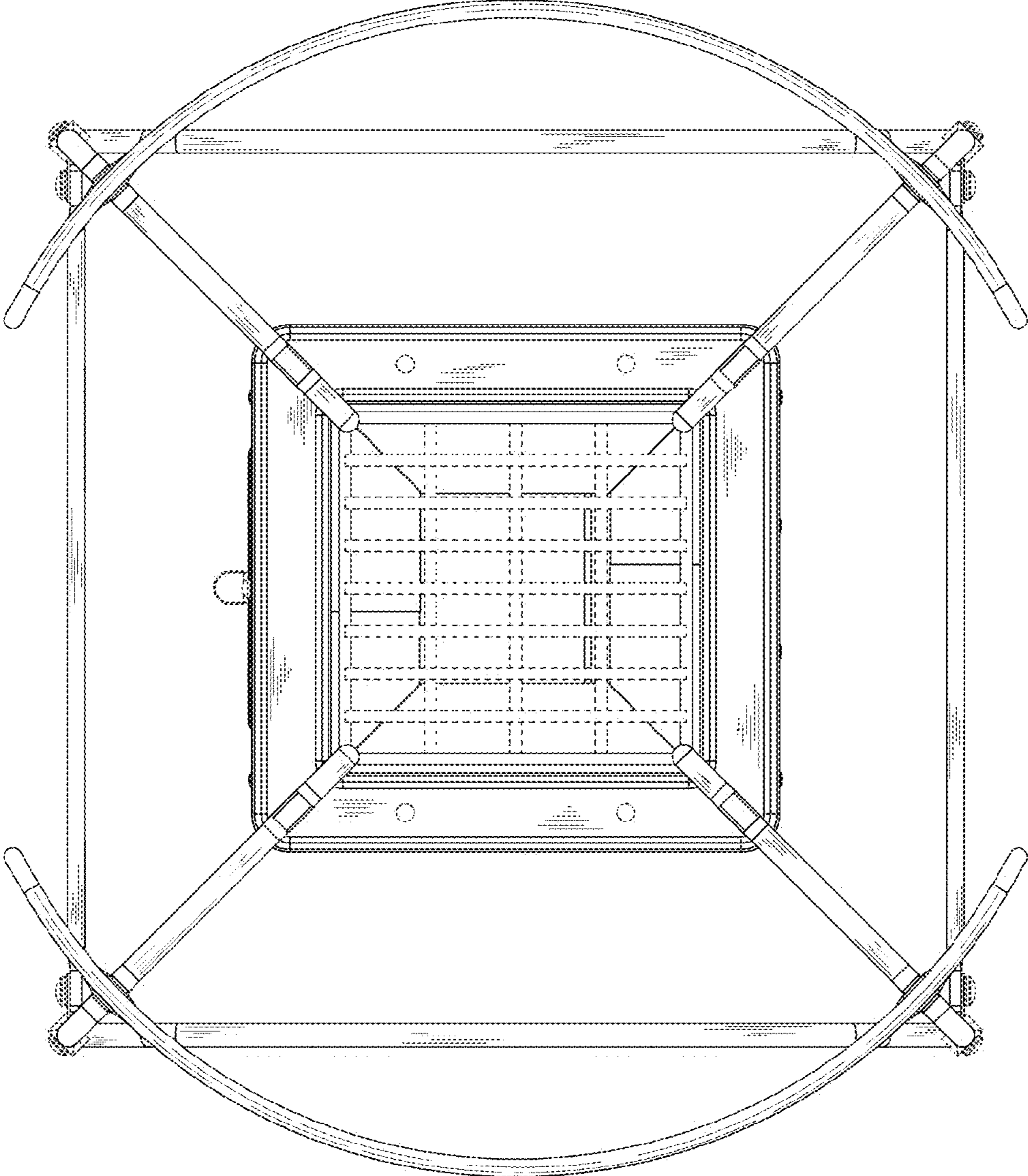


FIG. 7