



US00D727674S

(12) **United States Design Patent**  
**Liu et al.**

(10) **Patent No.:** **US D727,674 S**  
(45) **Date of Patent:** **\*\* Apr. 28, 2015**

(54) **BEVERAGE MACHINE**

(56) **References Cited**

(71) Applicants: **Ta-Wei Liu**, Taipei (TW); **Cheng-Yi Lee**, Taipei (TW)

U.S. PATENT DOCUMENTS

D600,491 S *	9/2009	Hammad et al. ....	D7/309
D627,186 S *	11/2010	Romandy .....	D7/306
D633,746 S *	3/2011	Lam .....	D7/309
D713,666 S *	9/2014	Van Baelen .....	D7/306

(72) Inventors: **Ta-Wei Liu**, Taipei (TW); **Cheng-Yi Lee**, Taipei (TW)

\* cited by examiner

(73) Assignee: **Pegatron Corporation**, Taipei (TW)

*Primary Examiner* — Marianne Pandozzi

(\*\*) Term: **14 Years**

(74) *Attorney, Agent, or Firm* — J.C. Patents

(21) Appl. No.: **29/493,716**

(57) **CLAIM**

The ornamental design for a beverage machine, as shown and described.

(22) Filed: **Jun. 12, 2014**

**DESCRIPTION**

(51) **LOC (10) Cl.** ..... **07-01**

FIG. 1 is a perspective view of a beverage machine showing our new design;  
FIG. 2 is a front view thereof;  
FIG. 3 is a rear view thereof;  
FIG. 4 is a left view thereof;  
FIG. 5 is a right view thereof;  
FIG. 6 is a top view thereof;  
FIG. 7 is a bottom view thereof; and,  
FIG. 8 is a perspective view thereof in a use state.  
The broken lines in the drawings are included for the purpose of illustration and form no part of the claimed design.

(52) **U.S. Cl.**

USPC ..... **D7/306; D7/311**

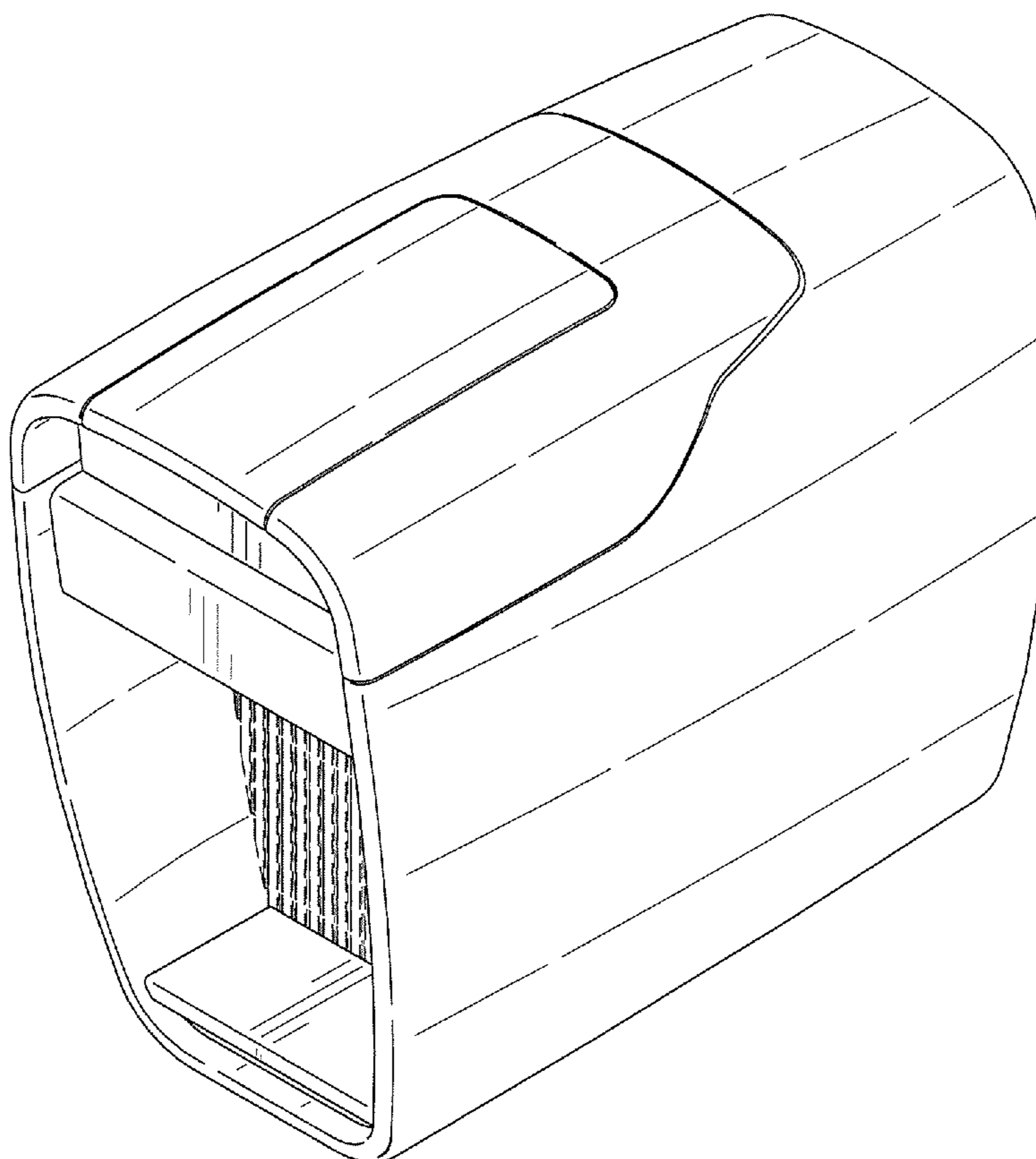
(58) **Field of Classification Search**

CPC ..... **A47J 31/00**

USPC ..... **D7/306-311, 300, 305, 301, 313; 99/282, 279, 280, 300, 305; 222/146.5, 222/129.1**

See application file for complete search history.

**1 Claim, 8 Drawing Sheets**



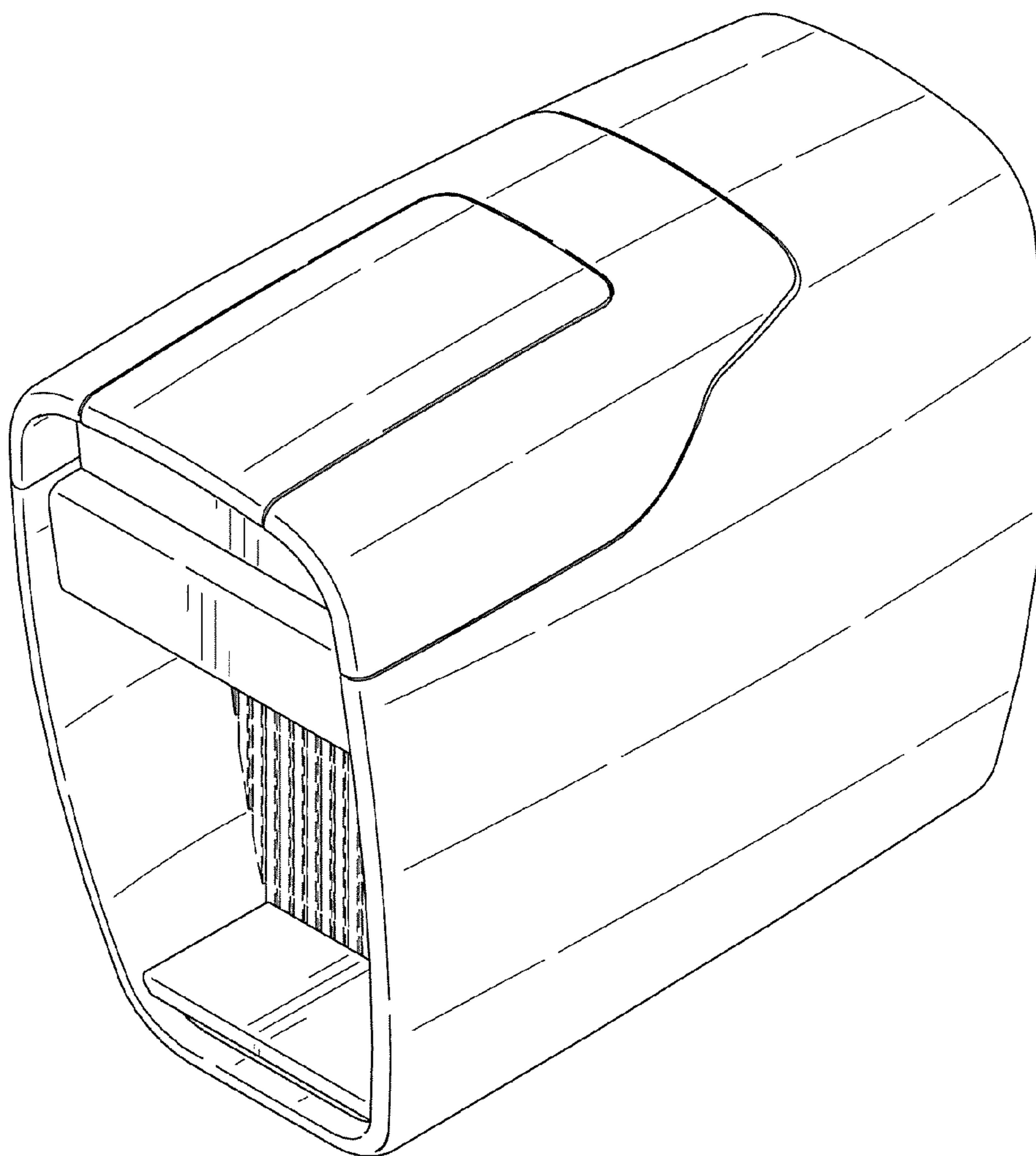


FIG. 1

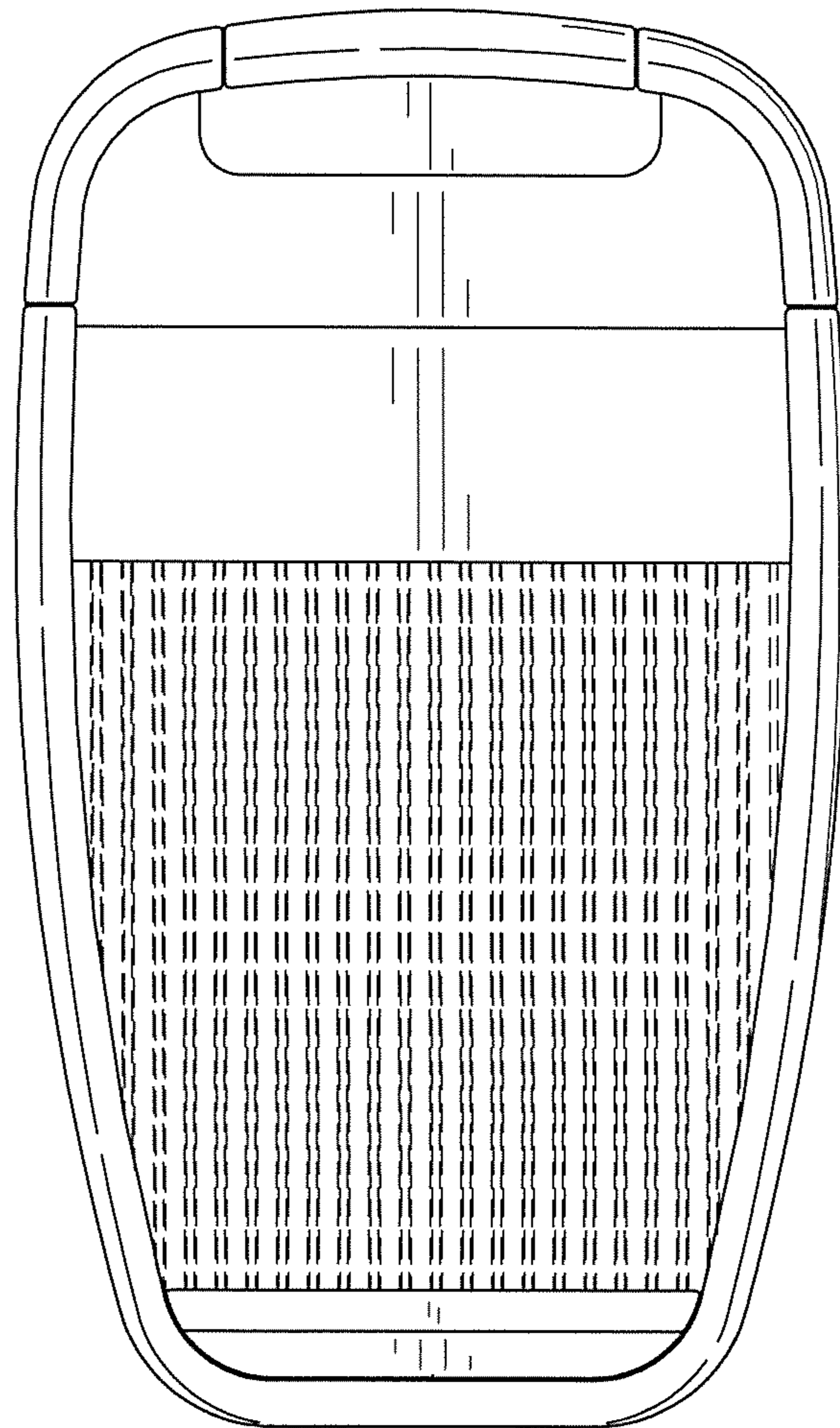


FIG. 2

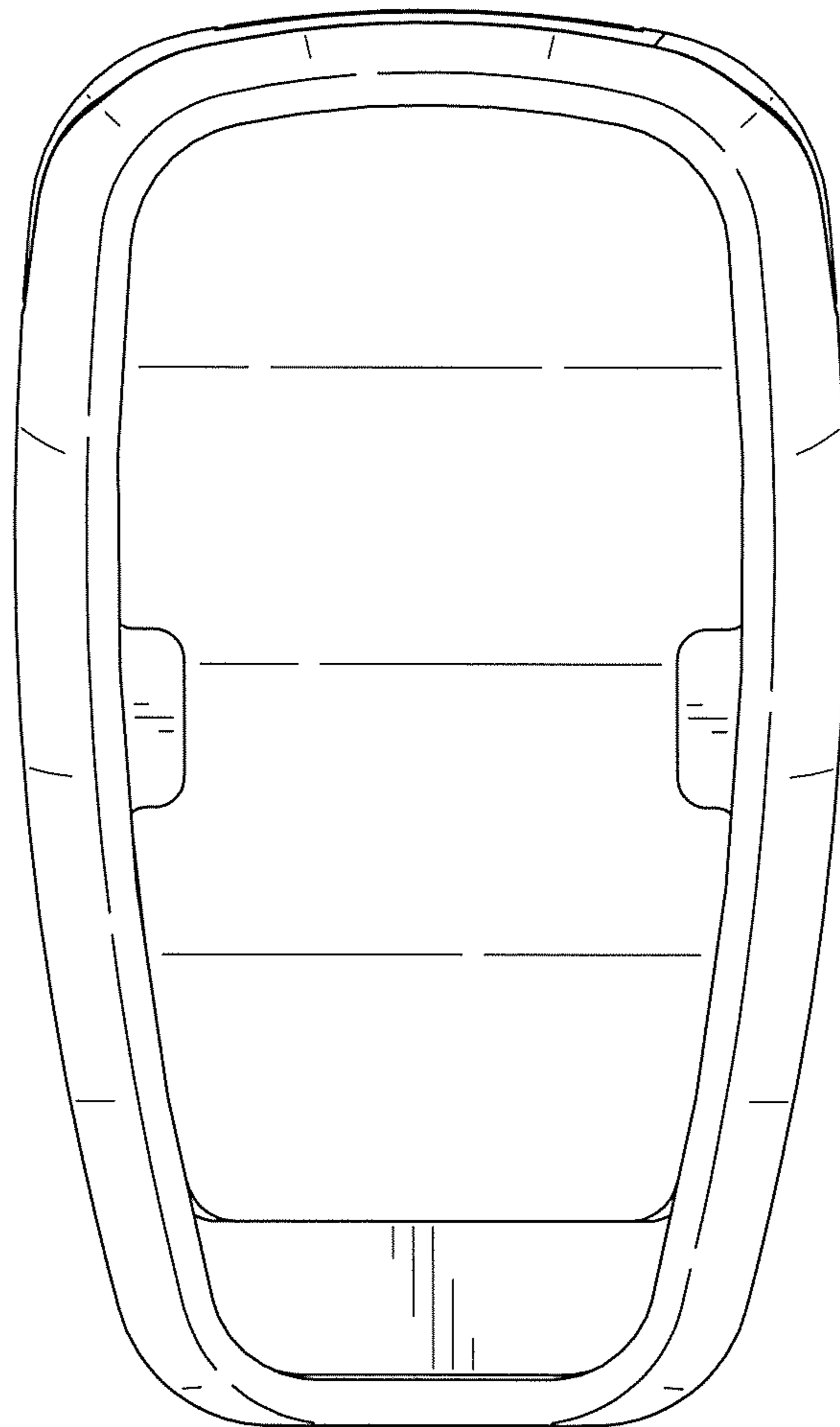


FIG. 3

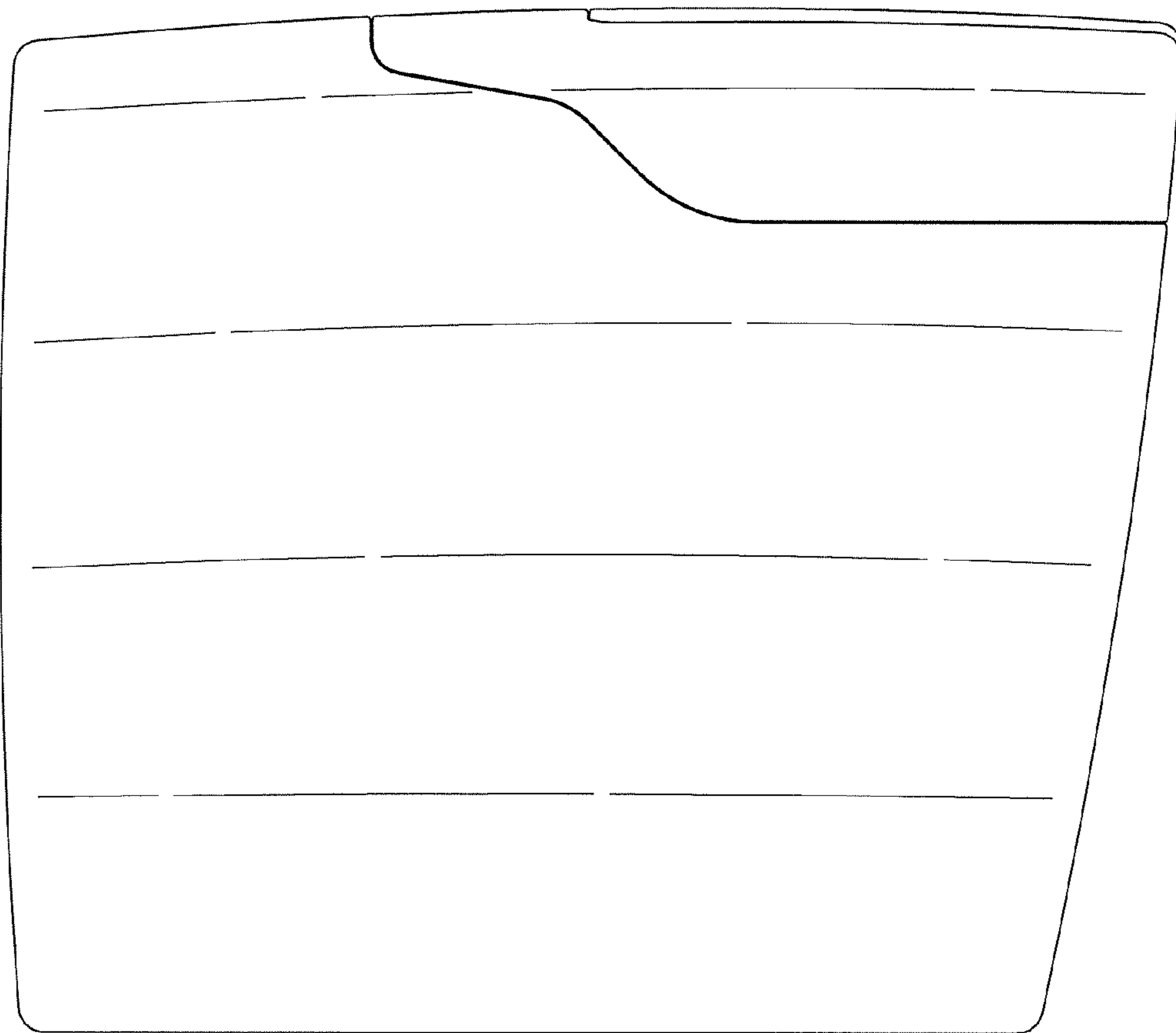


FIG. 4

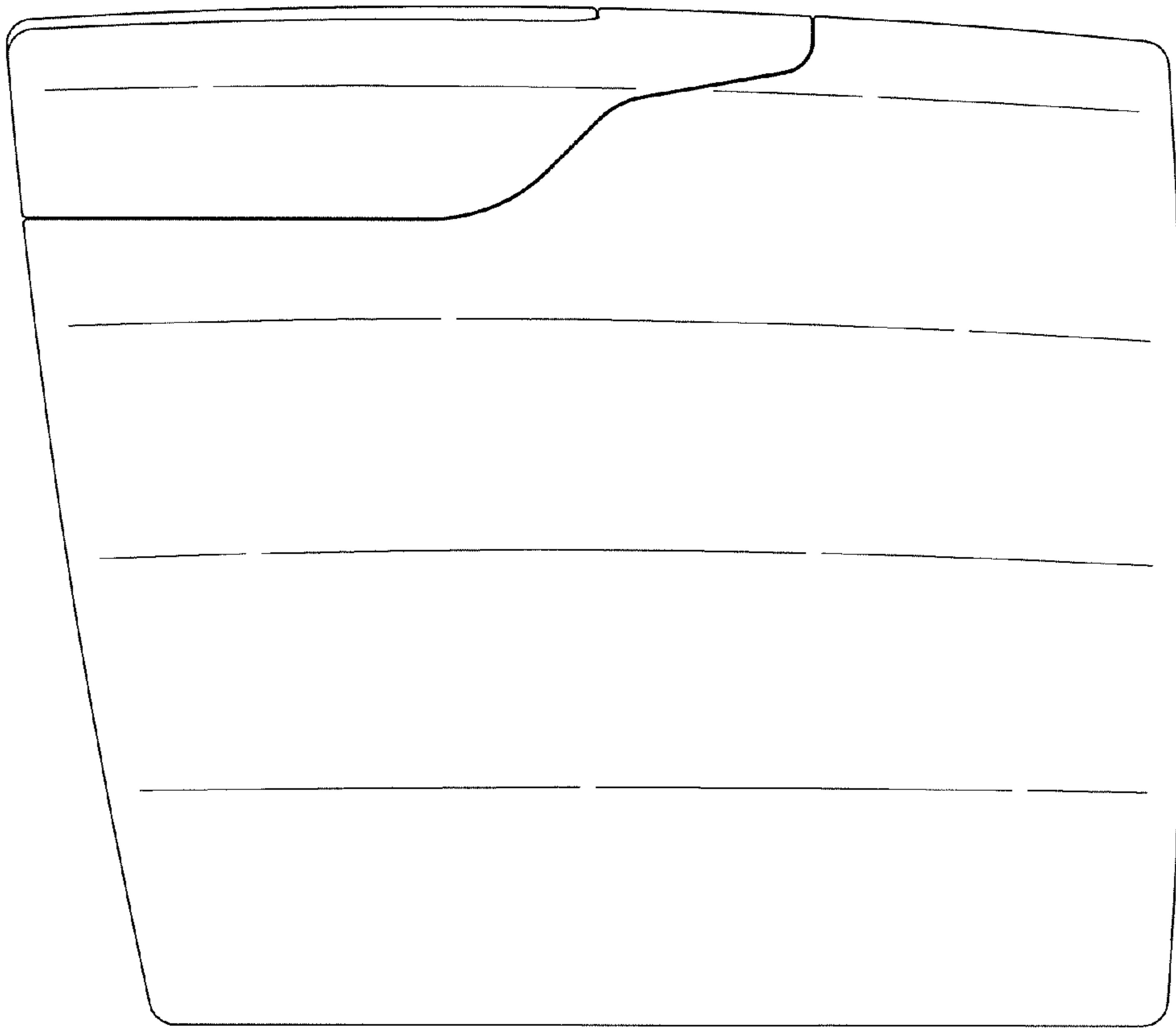


FIG. 5

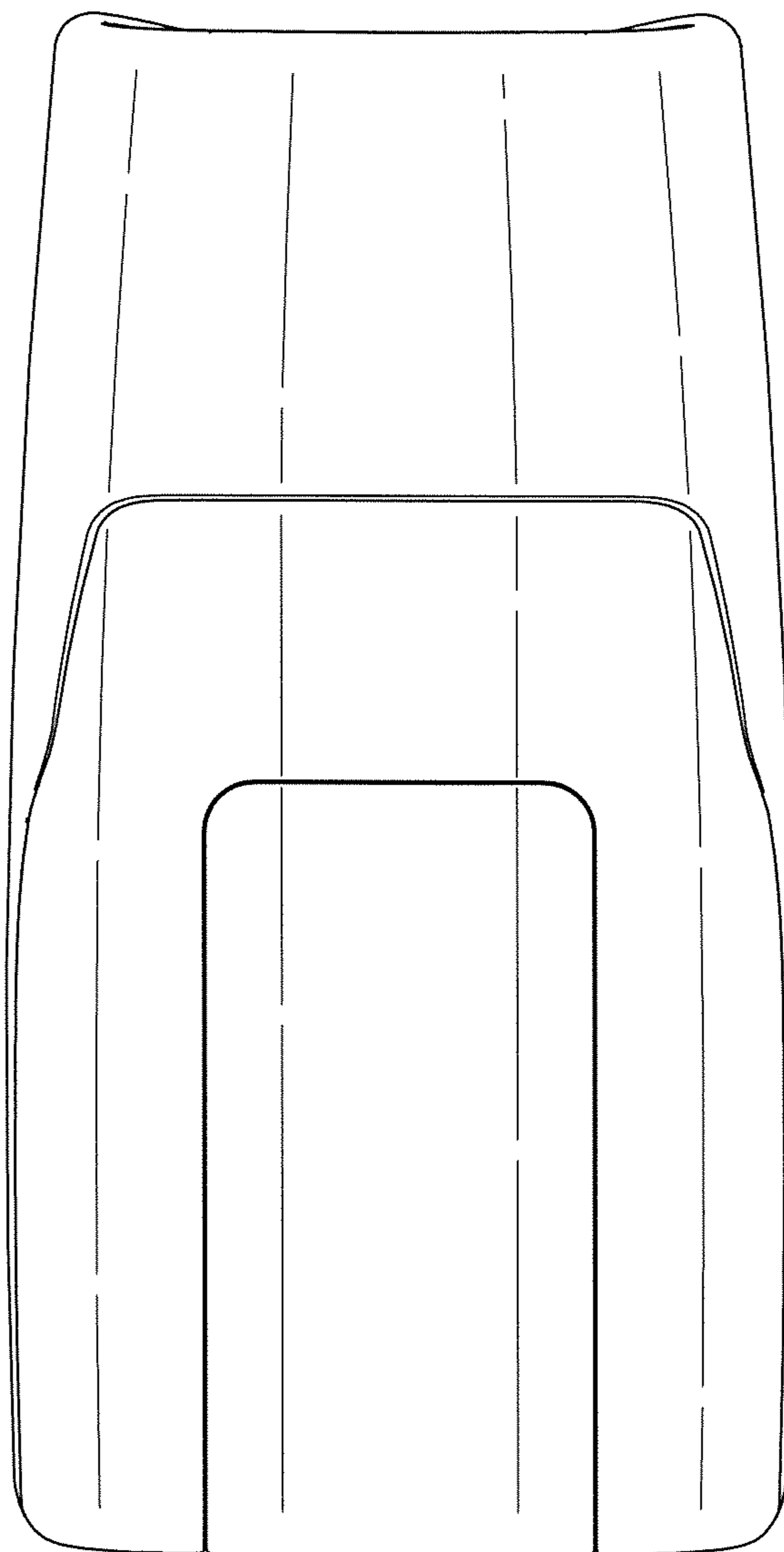


FIG. 6

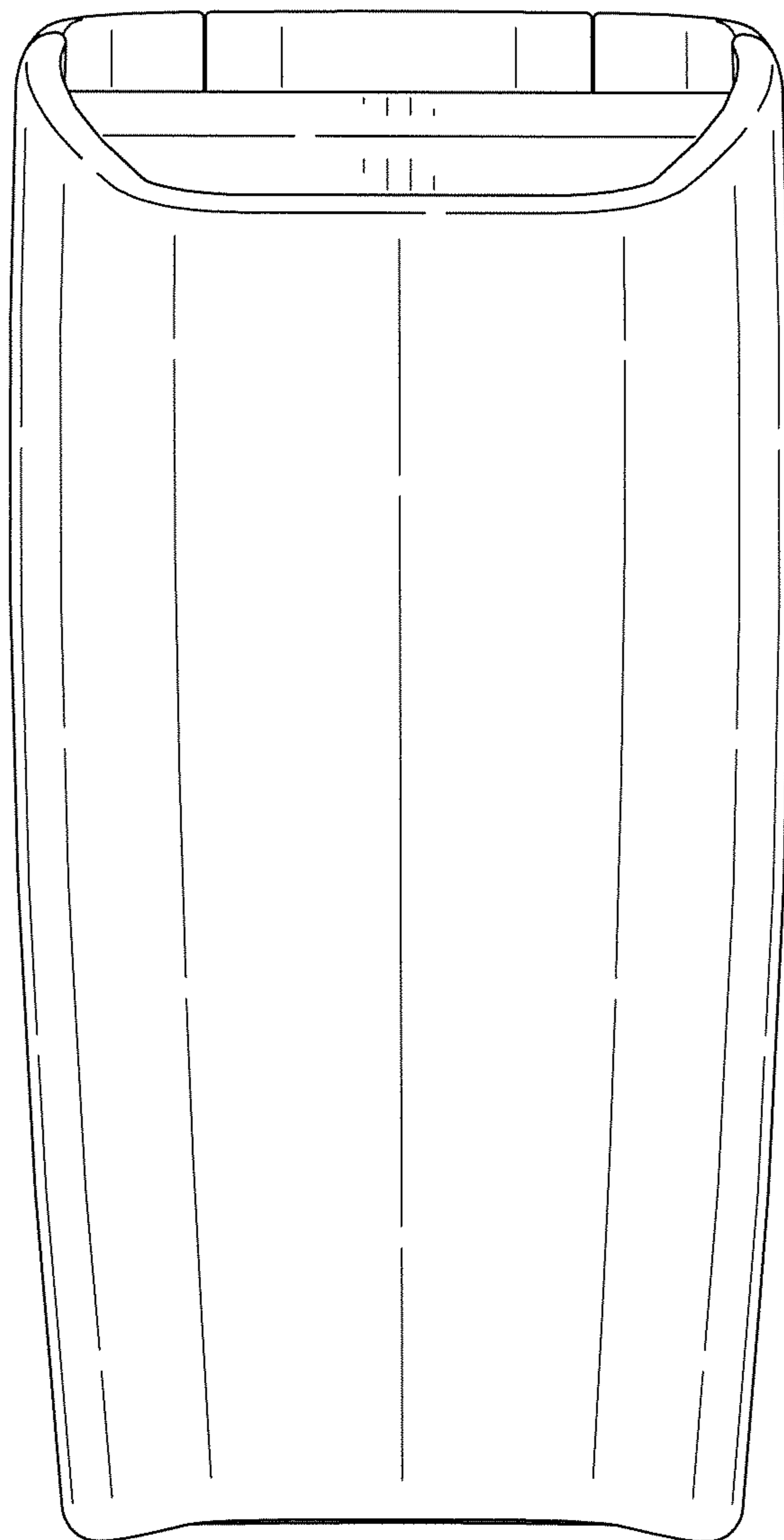


FIG. 7



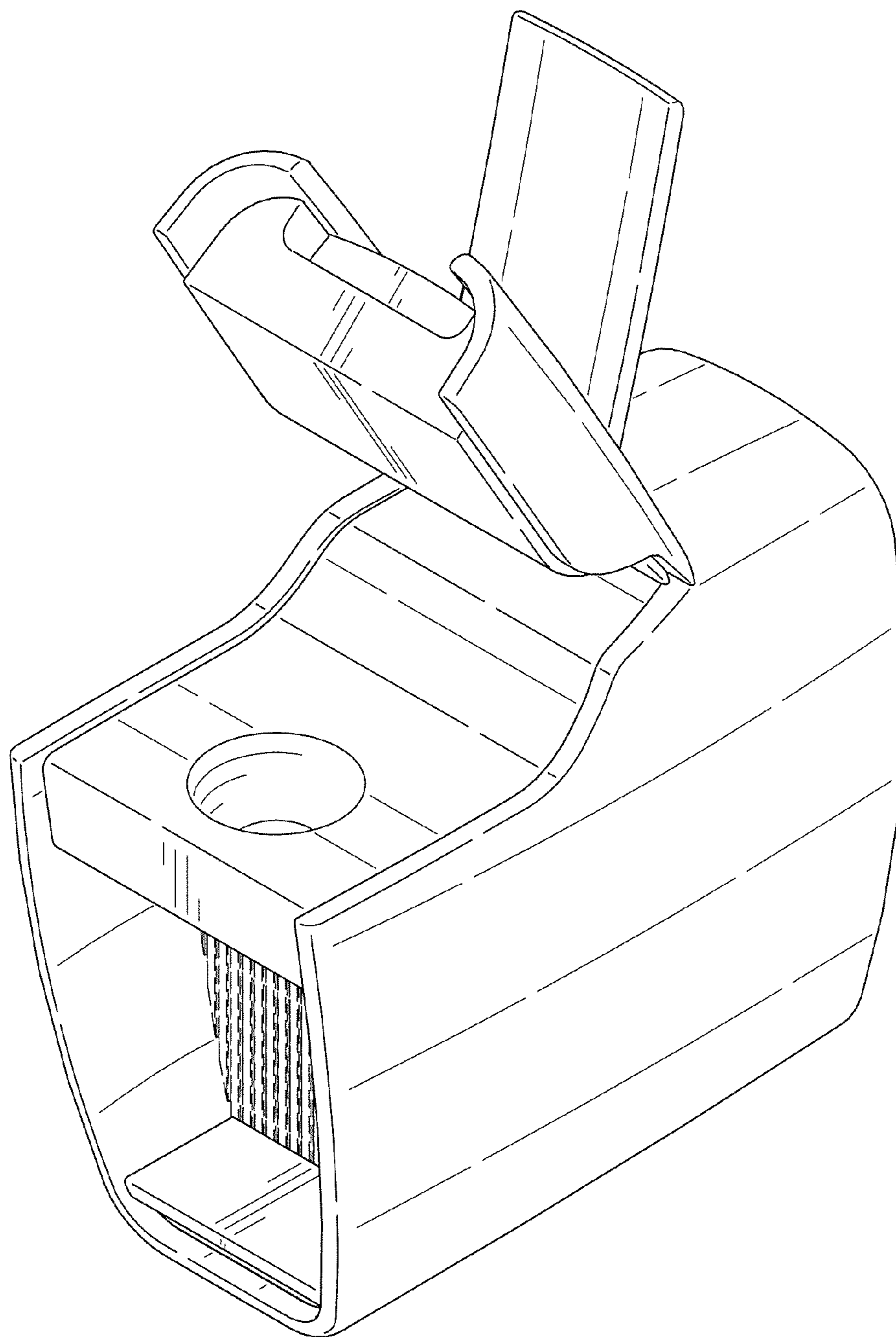


FIG. 8