



US00D727673S

(12) **United States Design Patent**
Broen et al.

(10) **Patent No.:** **US D727,673 S**
(45) **Date of Patent:** **** Apr. 28, 2015**

- (54) **DISPENSER**
- (71) Applicant: **PepsiCo, Inc.**, Purchase, NY (US)
- (72) Inventors: **Martin Eduardo Broen**, New York, NY (US); **Stephen Lim**, Chappaqua, NY (US); **Martin Ivar Franzen**, Milan (IT)
- (73) Assignee: **PepsiCo, Inc.**, Purchase, NY (US)
- (**) Term: **14 Years**
- (21) Appl. No.: **29/472,886**
- (22) Filed: **Nov. 17, 2013**
- (51) **LOC (10) Cl.** **07-01**
- (52) **U.S. Cl.**
USPC **D7/306; D7/311**
- (58) **Field of Classification Search**
CPC **A47J 31/00**
USPC **D7/306-311, 300, 305, 313; 99/282, 99/279, 280, 300, 305, 293, 295; 222/146.5, 129.1, 146.1; D20/1; D30/121, 122; 119/74; D14/447**
See application file for complete search history.

- D340,616 S 10/1993 Williams et al.
- D358,290 S 5/1995 Schroeder
- D359,412 S 6/1995 Minh
- D365,962 S * 1/1996 Amundsen et al. D7/311
- D369,937 S 5/1996 Guadalupi
- D375,431 S * 11/1996 Credle et al. D7/311
- D400,753 S 11/1998 Pryor et al.
- D462,225 S 9/2002 Kyees et al.
- D555,968 S * 11/2007 Pfeifer et al. D7/306
- D611,287 S 3/2010 Lochen
- D643,682 S 8/2011 Asthon
- D646,105 S * 10/2011 Deo et al. D7/306
- D649,153 S * 11/2011 Symons D14/447
- D655,122 S * 3/2012 Bingul et al. D7/306
- D655,123 S * 3/2012 Bingul et al. D7/306
- D669,154 S * 10/2012 Choi D23/207
- D681,385 S * 5/2013 Ring et al. D7/306
- D682,597 S * 5/2013 Bingul et al. D7/306
- D691,203 S 10/2013 d'Amore et al.
- D691,204 S * 10/2013 d'Amore et al. D20/1

(Continued)

Primary Examiner — Marianne Pandozzi
(74) *Attorney, Agent, or Firm* — Banner & Witcoff, Ltd.

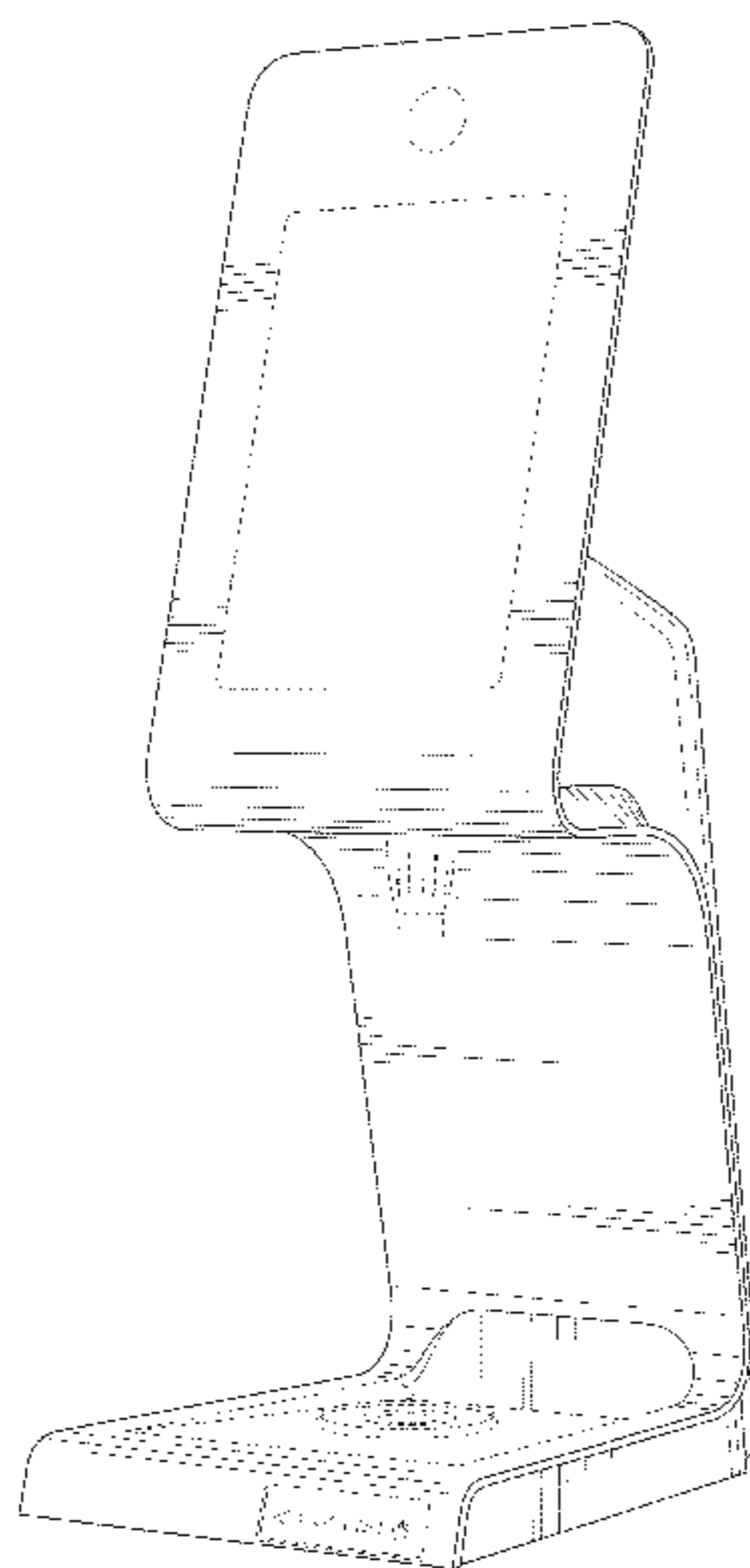
(57) **CLAIM**
The ornamental design for a dispenser, as shown and described.

DESCRIPTION

FIG. 1 is a top, front, right perspective view of a dispenser showing our new design;
FIG. 2 is a front view thereof;
FIG. 3 is a rear view thereof;
FIG. 4 is a left side view thereof;
FIG. 5 is a right side view thereof;
FIG. 6 is a top view thereof; and,
FIG. 7 is a bottom view thereof.
The broken lines immediately adjacent to the shaded area represent unclaimed boundaries of the claimed design. The broken lines showing the remainder of the dispenser are for environmental purposes only and form no part of the claimed design.

1 Claim, 7 Drawing Sheets

- (56) **References Cited**
U.S. PATENT DOCUMENTS
- D183,532 S * 9/1958 McCauly D7/311
- D185,006 S 4/1959 Langevin
- D188,909 S 9/1960 Maxson et al.
- D195,663 S 7/1963 Schumaus
- D202,688 S 11/1965 Cornelius et al.
- D215,533 S 10/1969 Gilson
- D235,816 S 7/1975 Hill
- D251,564 S 4/1979 MacKrell
- D256,125 S * 7/1980 Erickson D7/398
- D259,725 S 6/1981 Wasserstrom et al.
- D265,653 S 8/1982 Arzberger et al.
- D268,977 S 5/1983 Marotta
- D272,976 S 3/1984 LaLumiere
- D287,089 S 12/1986 Cesaroni
- D334,029 S * 3/1993 Reising D20/1



(56)

References Cited

U.S. PATENT DOCUMENTS

D701,412 S * 3/2014 Broen et al. D7/306
D704,492 S * 5/2014 Broen et al. D7/306

2010/0116842 A1 5/2010 Hecht et al.
2011/0017776 A1 1/2011 Metropulos et al.
2011/0125334 A1 5/2011 Deo et al.

* cited by examiner

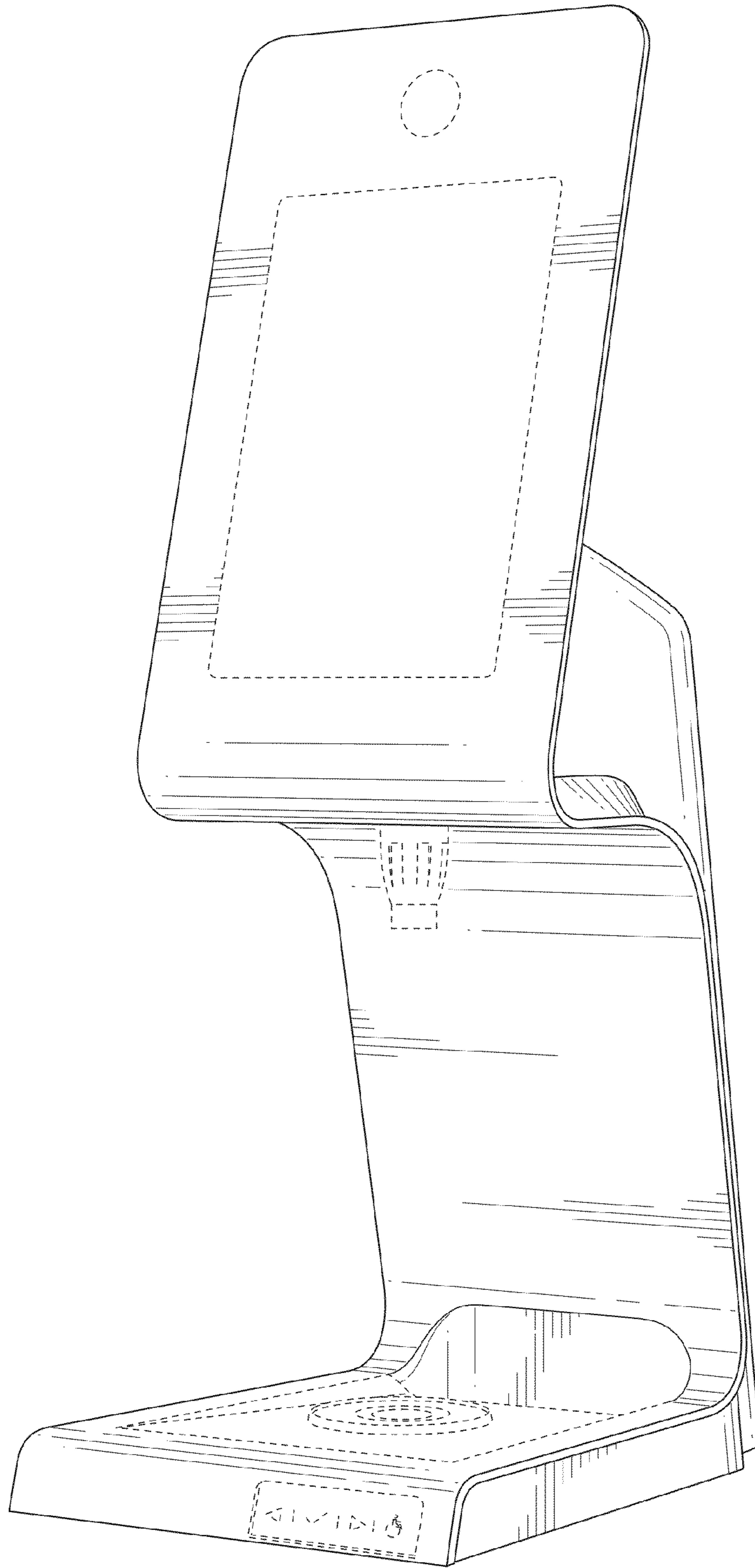


FIG. 1

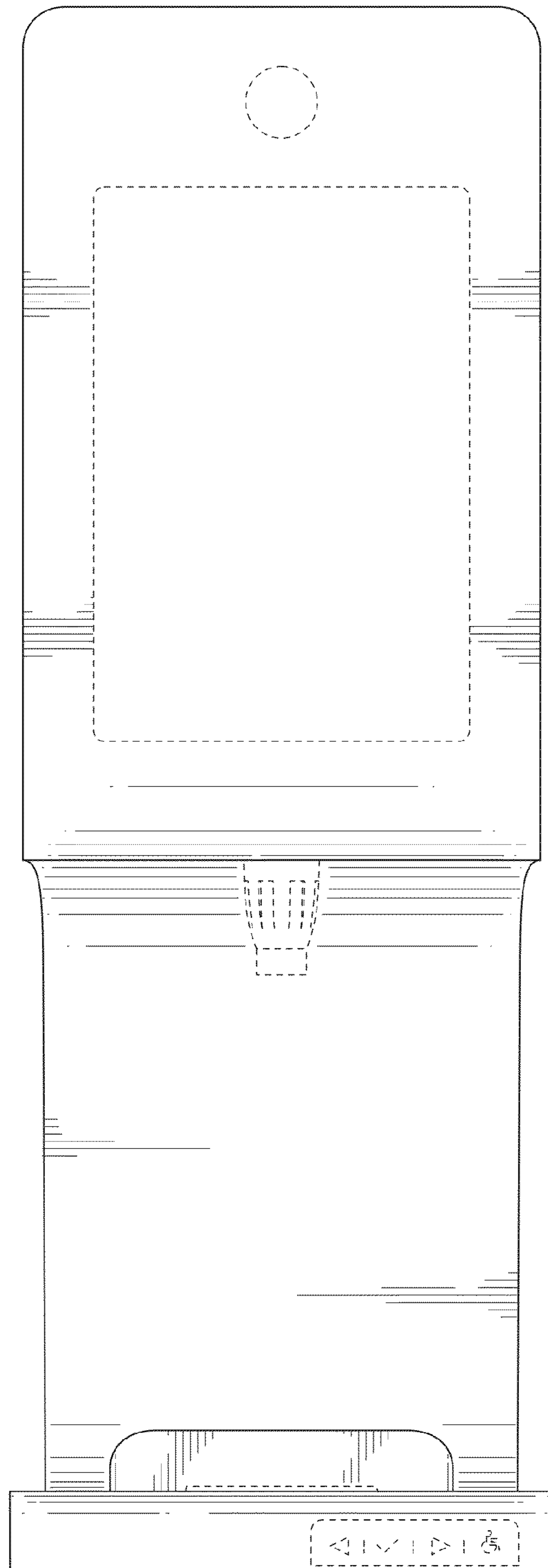


FIG. 2

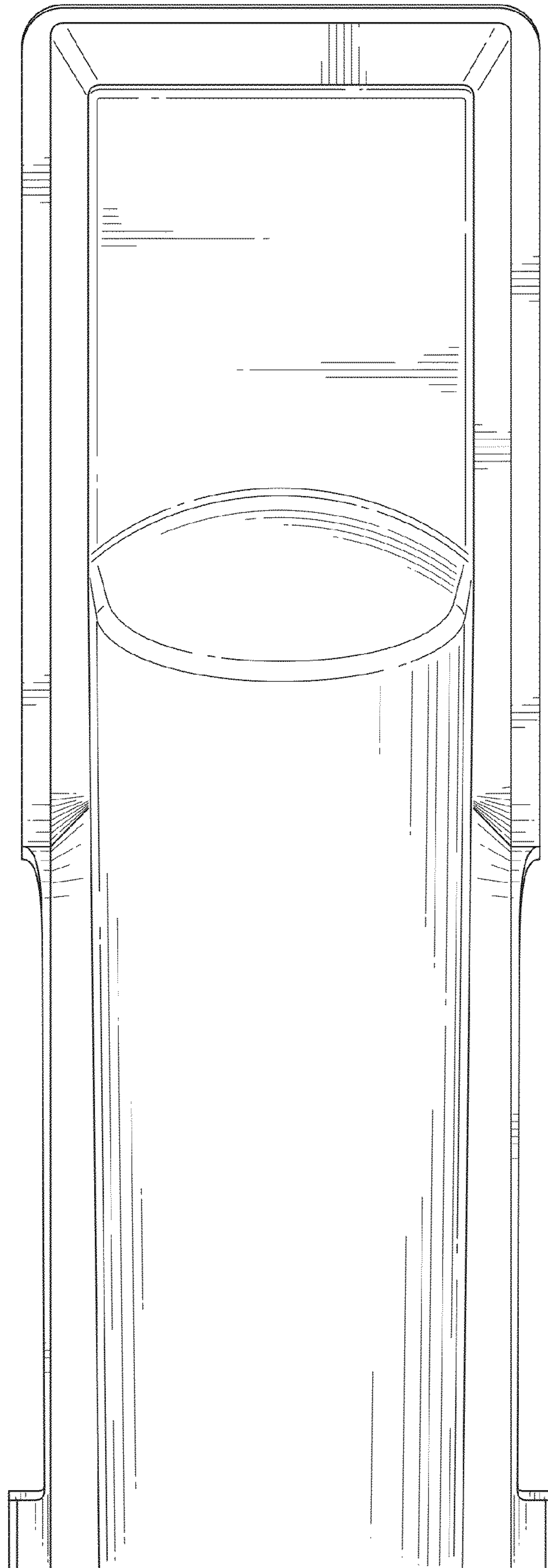


FIG. 3

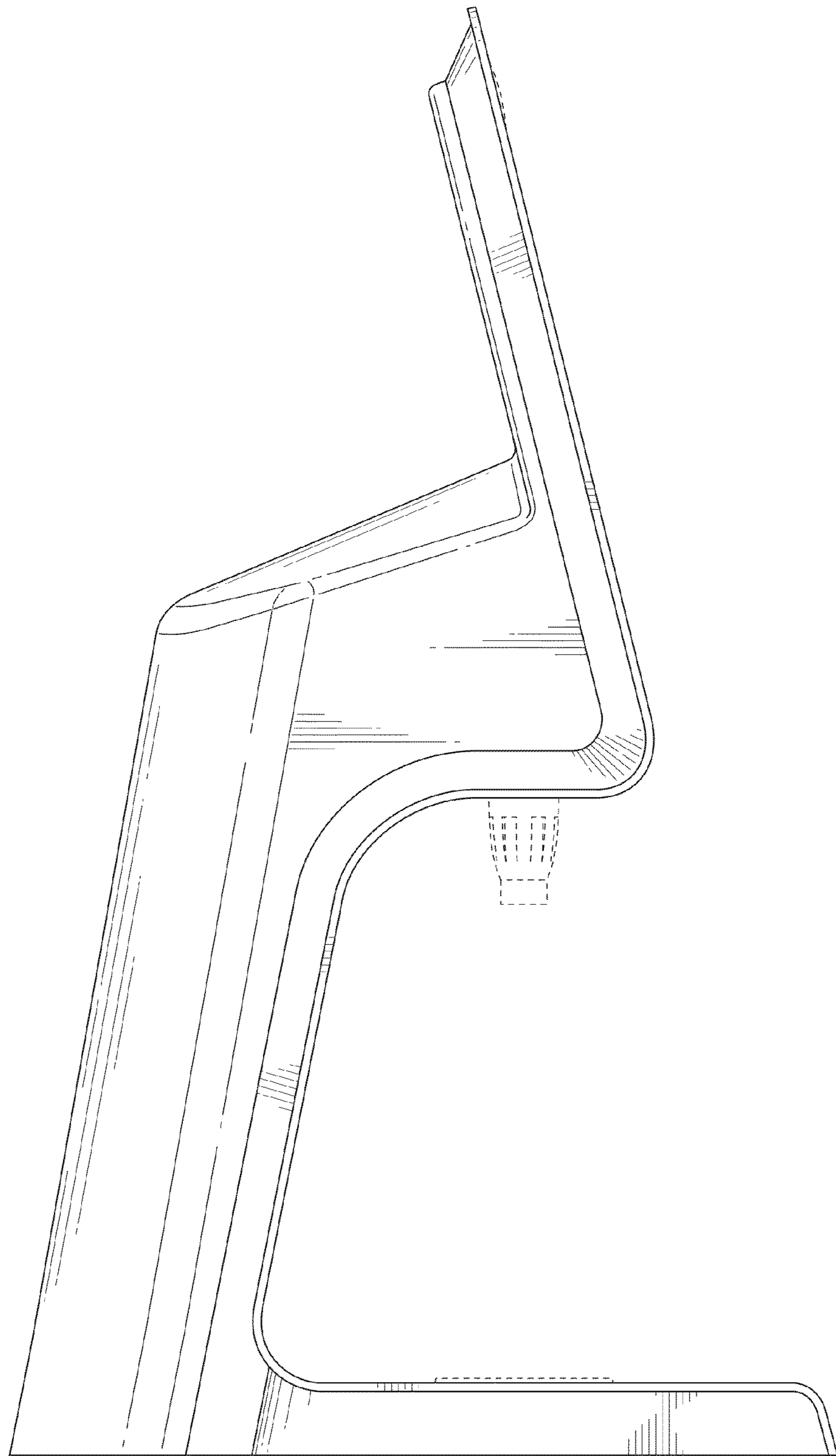


FIG. 4

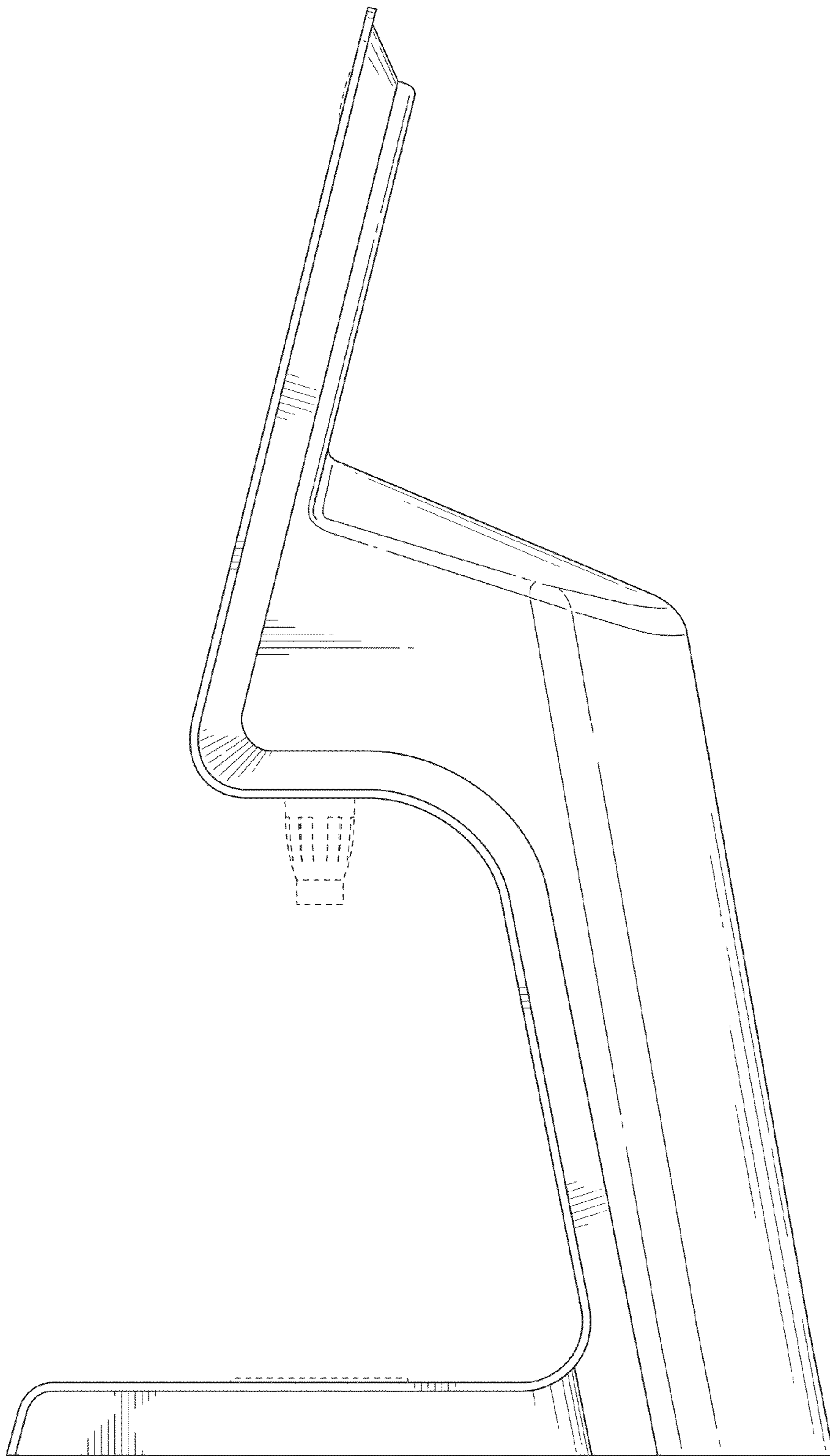


FIG. 5

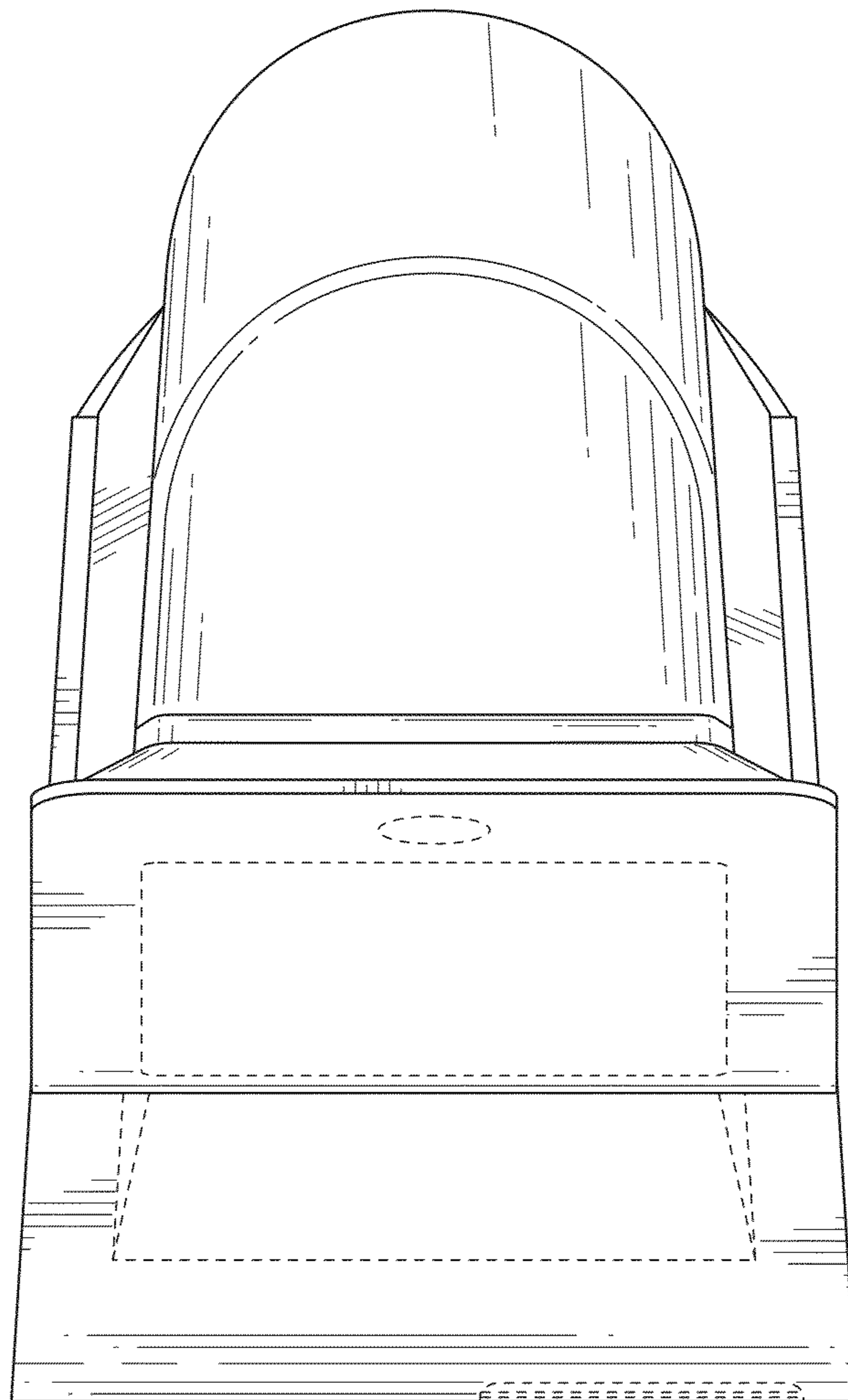


FIG. 6

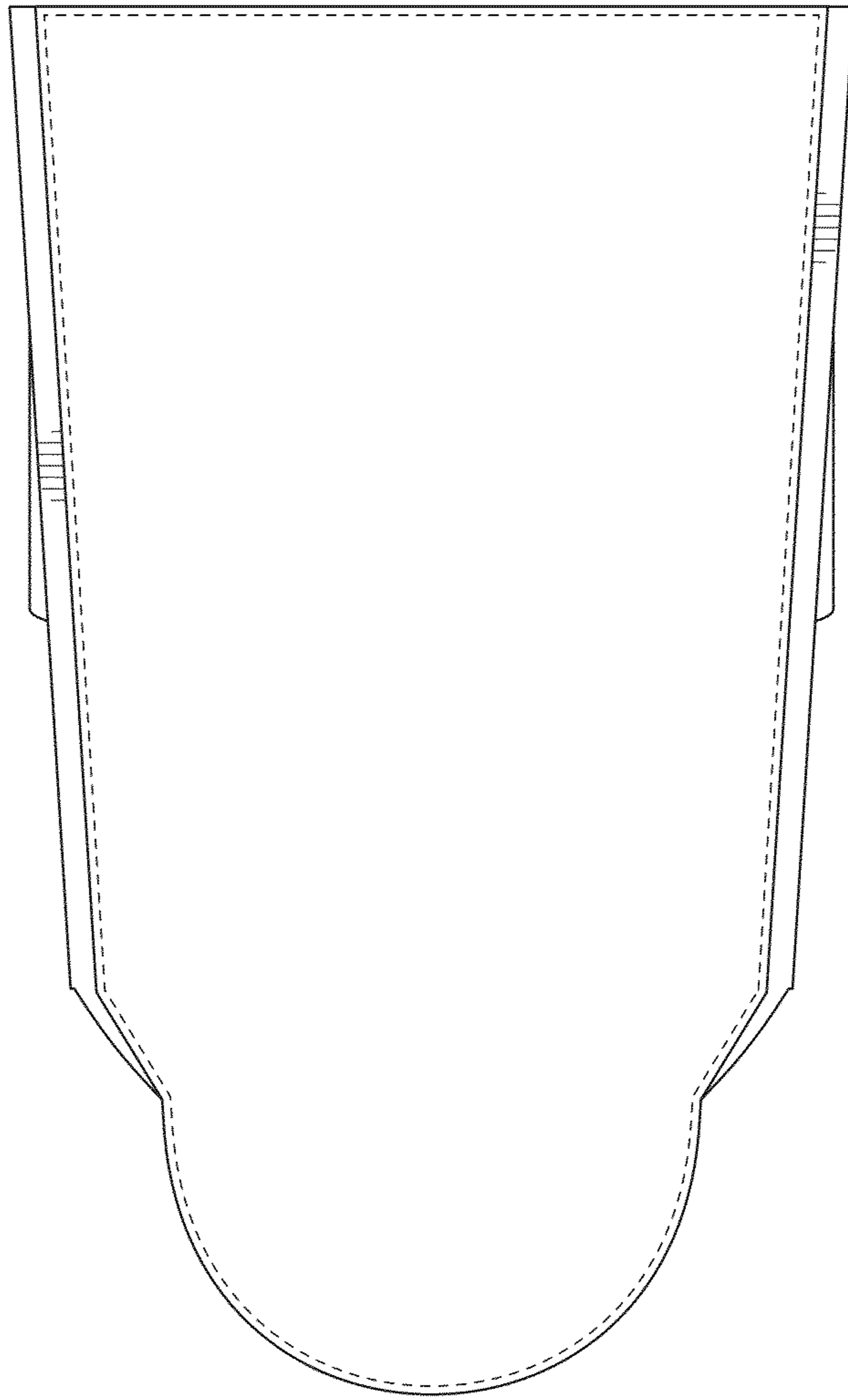


FIG. 7