

US00D727672S

(12) **United States Design Patent**
Price et al.

(10) **Patent No.:** **US D727,672 S**
(45) **Date of Patent:** **** Apr. 28, 2015**

(54) **COVER FOR A BEVERAGE DISPENSING CONTAINER**

(71) Applicants: **Travis Elliot Price**, Menlo Park, CA (US); **Kyle Mulroe**, Menlo Park, CA (US); **Jack Mulroe**, Menlo Park, CA (US)

(72) Inventors: **Travis Elliot Price**, Menlo Park, CA (US); **Kyle Mulroe**, Menlo Park, CA (US); **Jack Mulroe**, Menlo Park, CA (US)

(73) Assignees: **Travis Elliot Price**, Menlo Park, CA (US); **Kyle Mulroe**, Menlo Park, CA (US); **Jack Mulroe**, Menlo Park, CA (US)

(**) Term: **14 Years**

(21) Appl. No.: **29/481,758**

(22) Filed: **Feb. 10, 2014**

Related U.S. Application Data

(63) Continuation of application No. 29/461,597, filed on Oct. 2, 2013.

(51) **LOC (10) Cl.** **07-01**

(52) **U.S. Cl.**
USPC **D7/301**; D11/126

(58) **Field of Classification Search**
USPC D2/980-983; D7/301, 302, 308, 317, D7/319, 321, 509, 514, 515, 622; D9/516, D9/523, 524, 527, 528, 544, 631, 702, 703, D9/711, 713; D11/121, 125, 126; 215/385; 220/703, 711, 713, 714, 715, 737, 751; 428/7-9

See application file for complete search history.

(56) **References Cited**

U.S. PATENT DOCUMENTS

2,302,392 A *	11/1942	Risch	220/495.03
D194,002 S *	11/1962	Pincus	D11/126
D254,233 S *	2/1980	Dolan	D9/631
D264,179 S *	5/1982	Dash	D9/631
D381,927 S *	8/1997	Riggall	D11/126
D426,171 S *	6/2000	Sheen	D11/126
D432,451 S *	10/2000	Turgeon	D11/126
D432,941 S *	10/2000	Turgeon	D11/126
D467,835 S *	12/2002	Guillory	D11/126
D498,429 S *	11/2004	Sotomura	D11/126
D498,702 S *	11/2004	Hale	D11/126
D520,406 S *	5/2006	Groeschen	D11/126
D552,013 S *	10/2007	Gilead	D11/126
D616,931 S *	6/2010	Staller	D19/4

* cited by examiner

Primary Examiner — Susan Bennett Hattan

Assistant Examiner — Leanne Was

(74) *Attorney, Agent, or Firm* — Fenwick & West LLP

(57) **CLAIM**

The ornamental design for a cover for a beverage dispensing container, as shown and described.

DESCRIPTION

FIG. 1 is a perspective view showing the top, front side, and left side of a cover for a beverage dispensing container according to our new design;

FIG. 2 is a perspective view showing the top, rear side, and left side thereof;

FIG. 3 is a front view thereof;

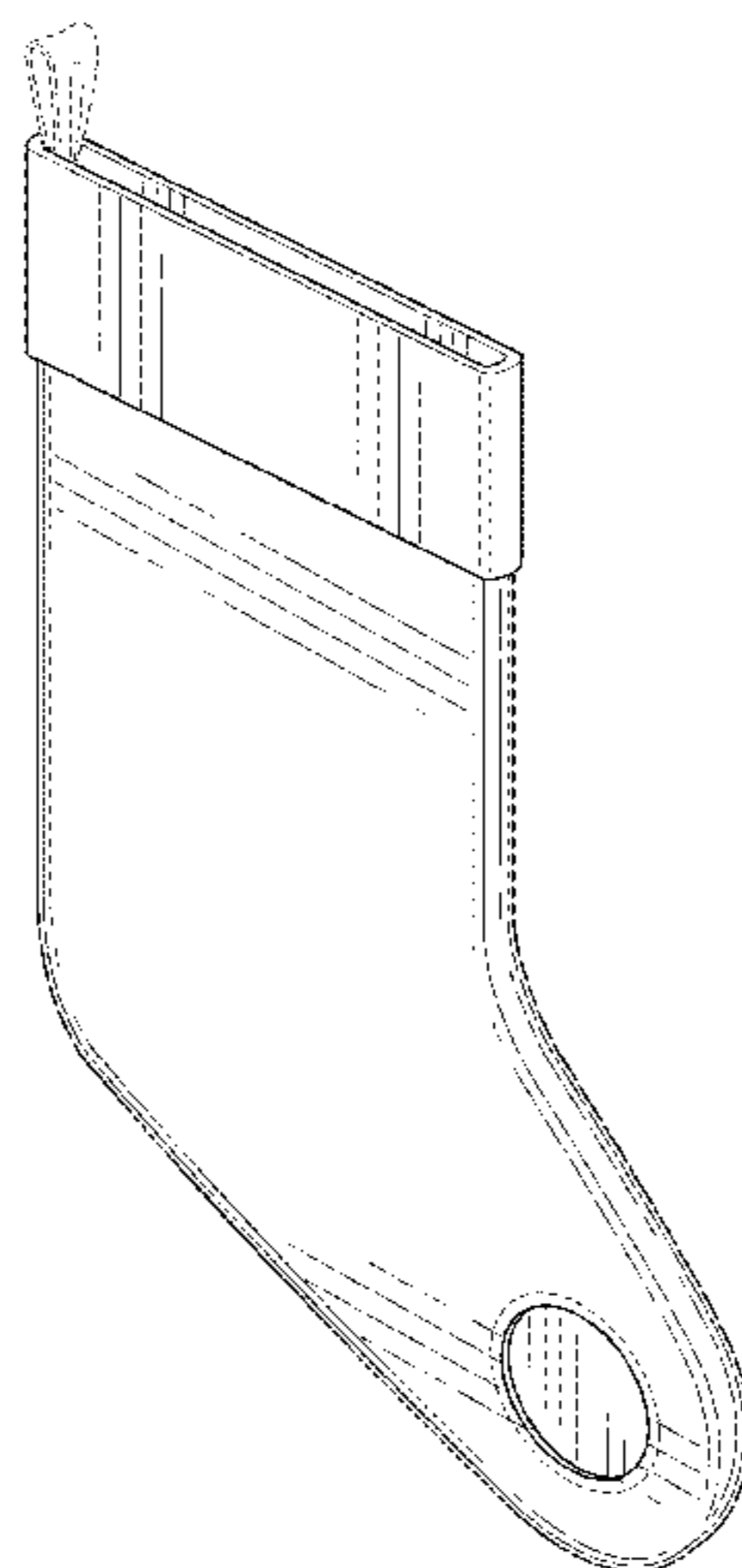
FIG. 4 is a rear view thereof;

FIG. 5 is a perspective view showing the top, front side, and left side of the cover when the beverage dispensing container is placed inside of the cover; and,

FIG. 6 is an exploded view of the cover and beverage dispensing container illustrated in FIG. 5.

The broken lines in the figures represent portions of the cover for a beverage container that form no part of the claimed design.

1 Claim, 6 Drawing Sheets



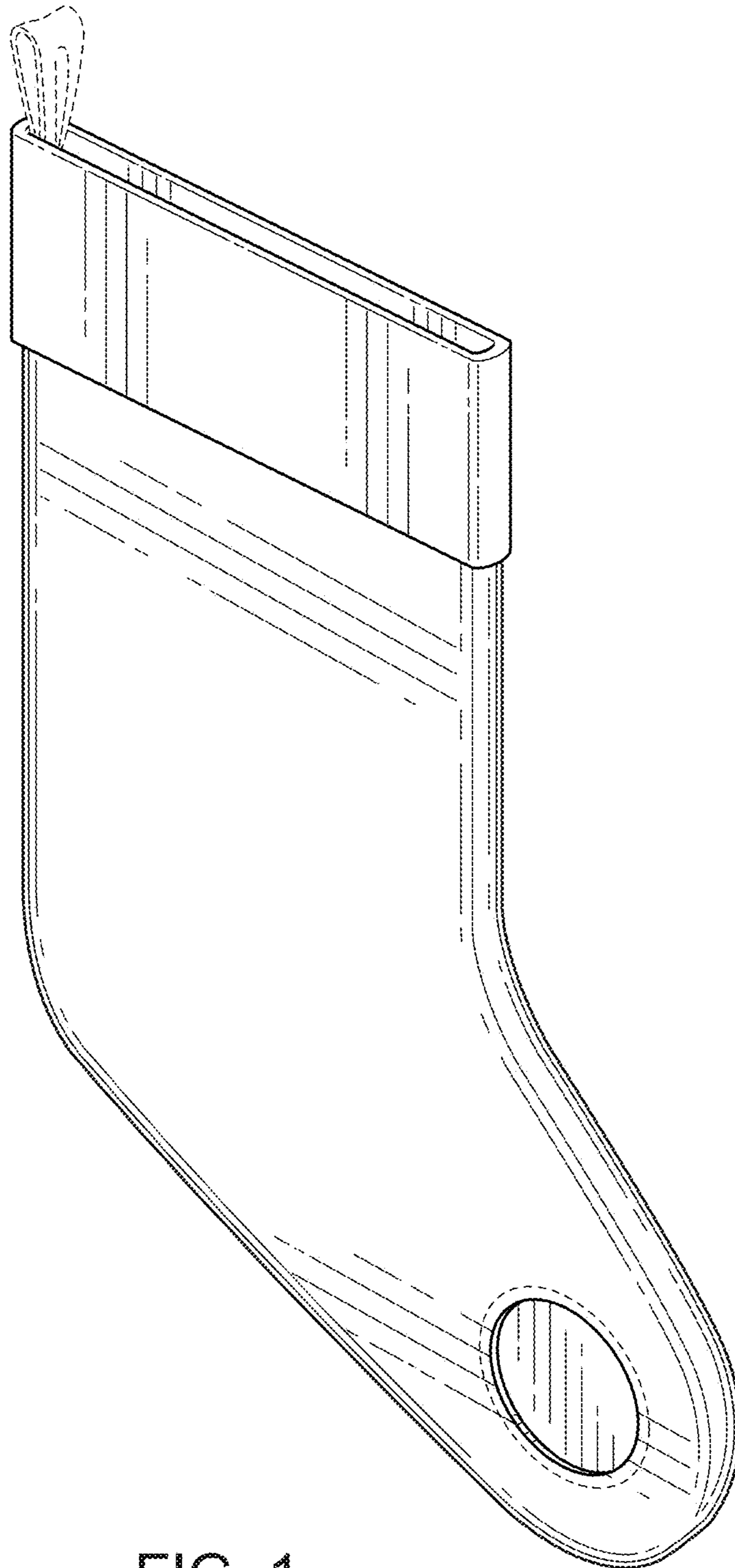


FIG. 1

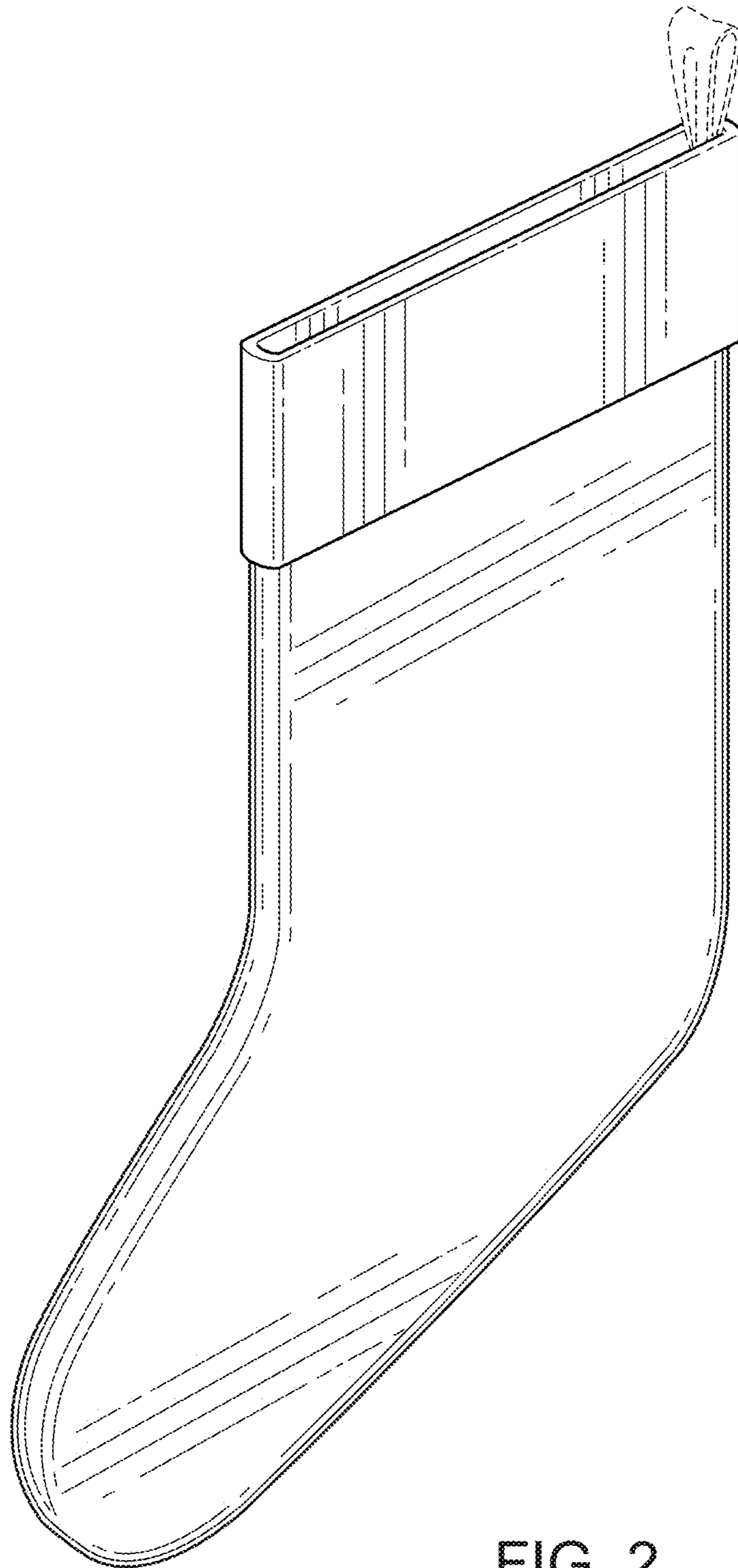


FIG. 2

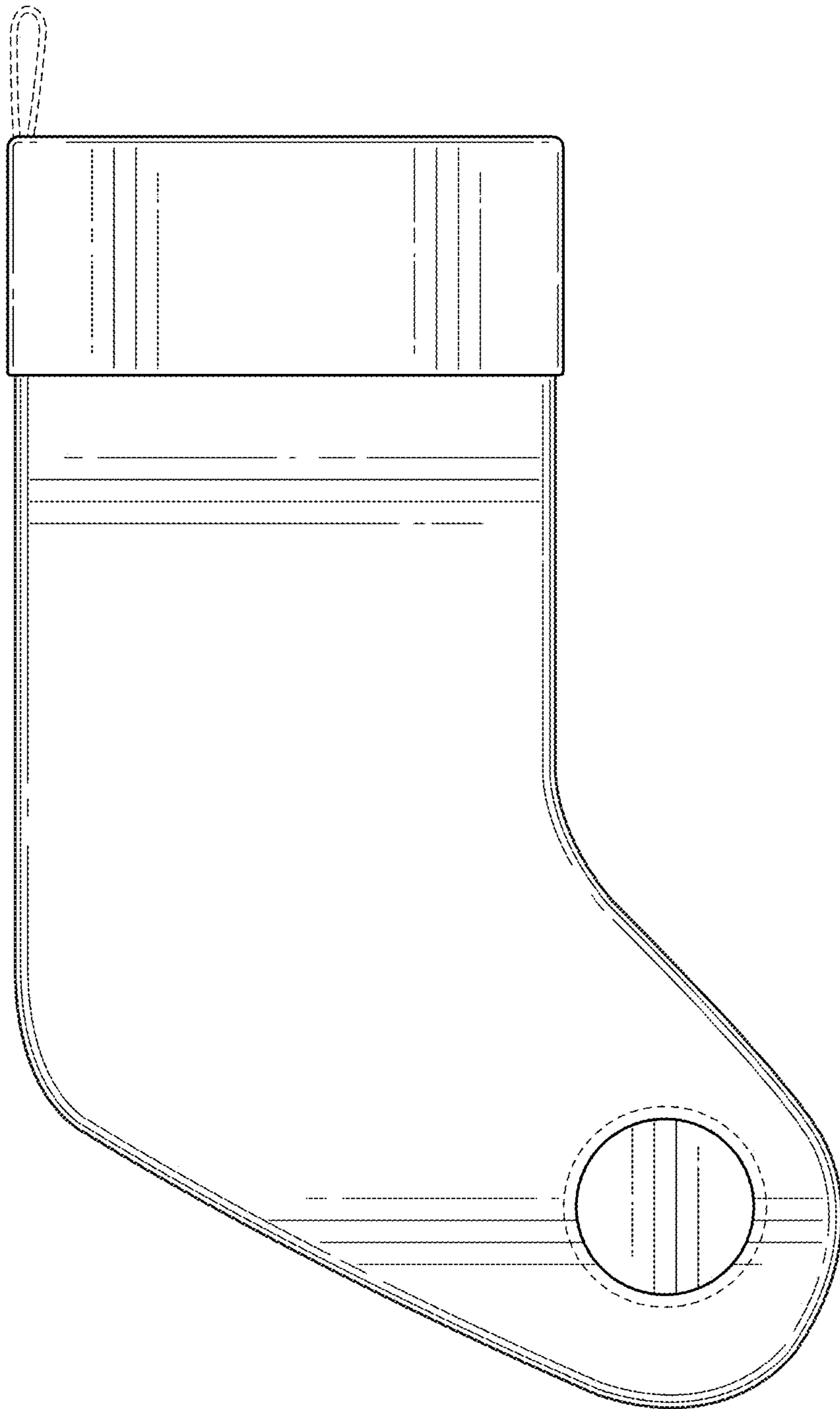


FIG. 3

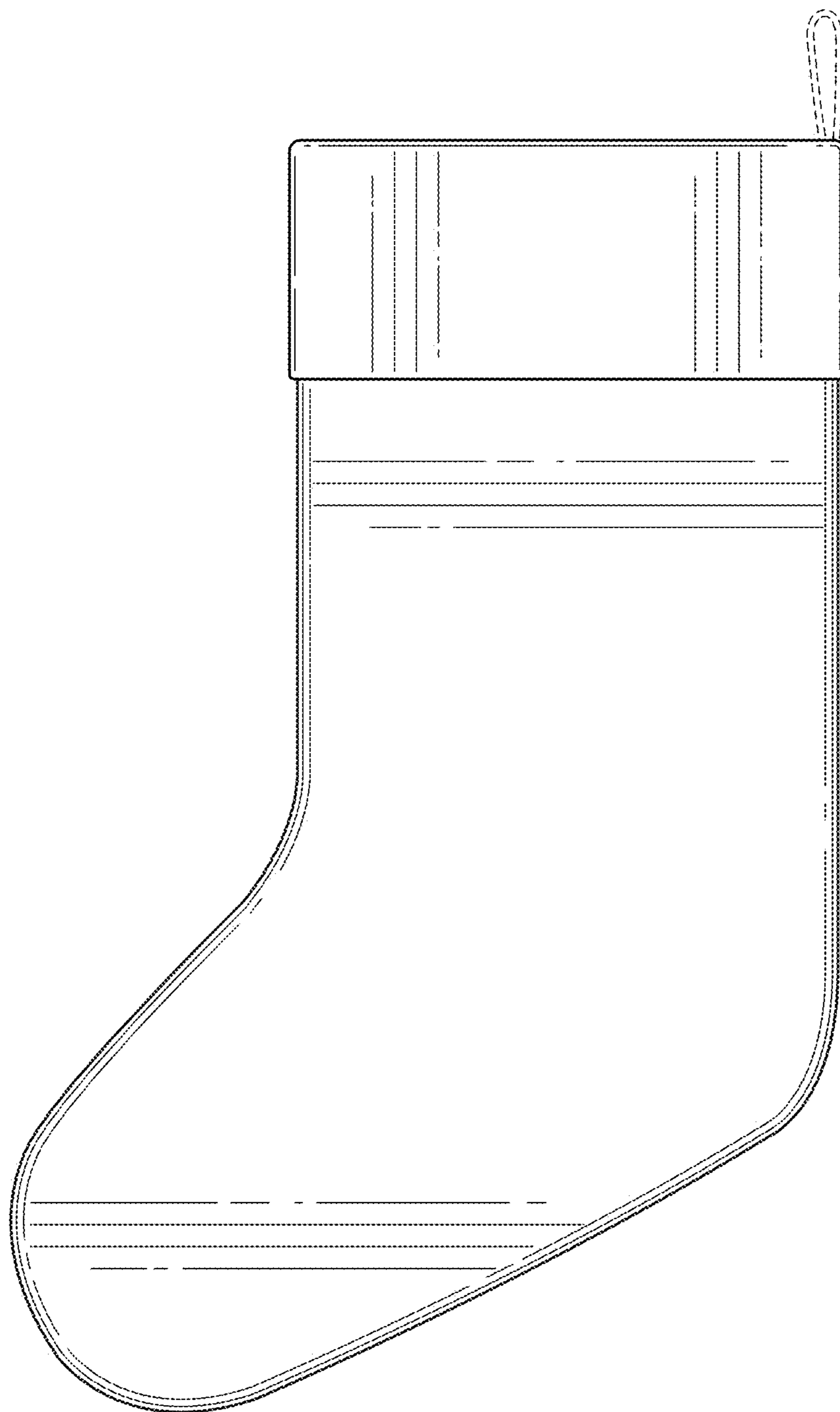


FIG. 4

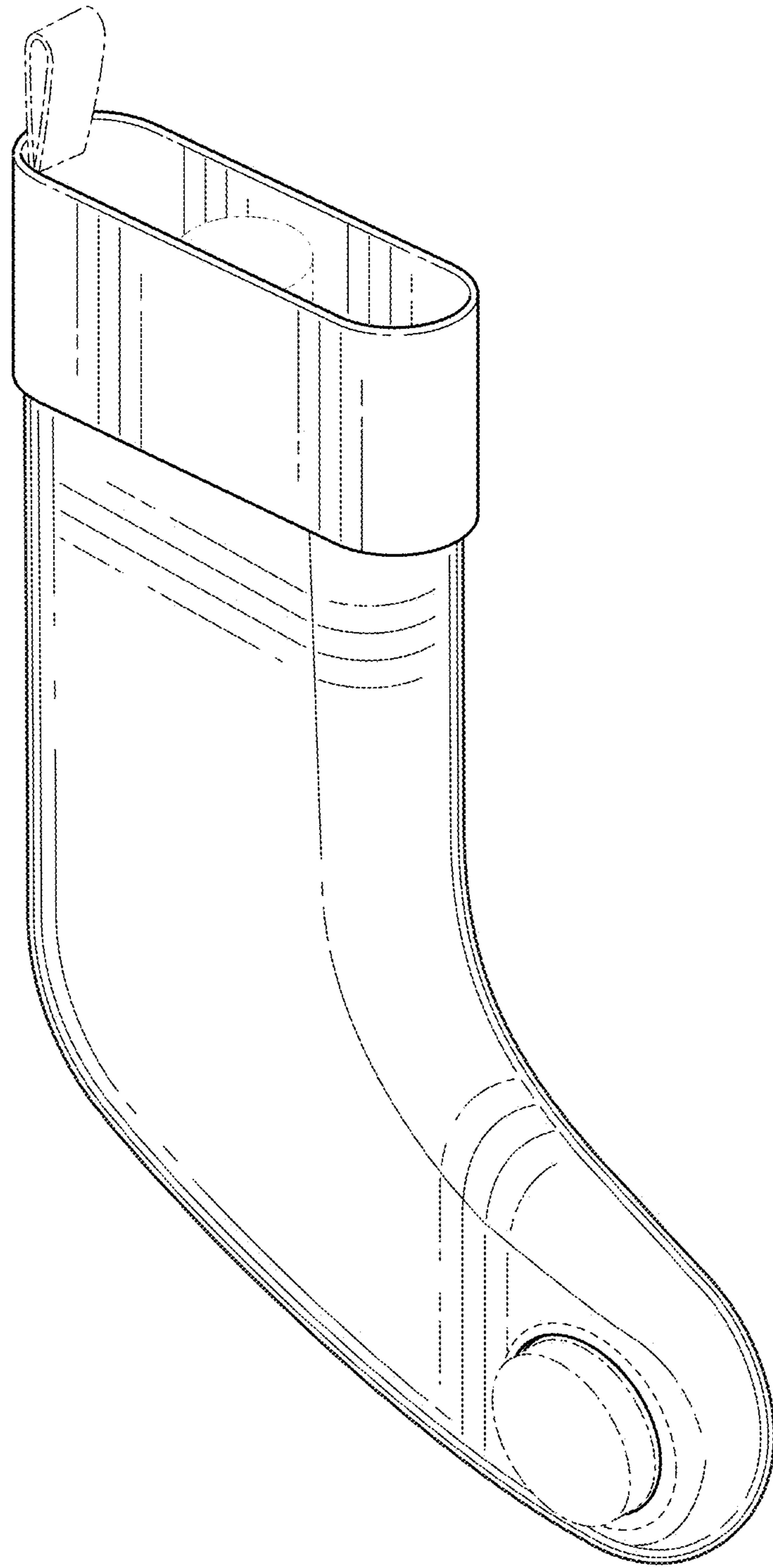


FIG. 5

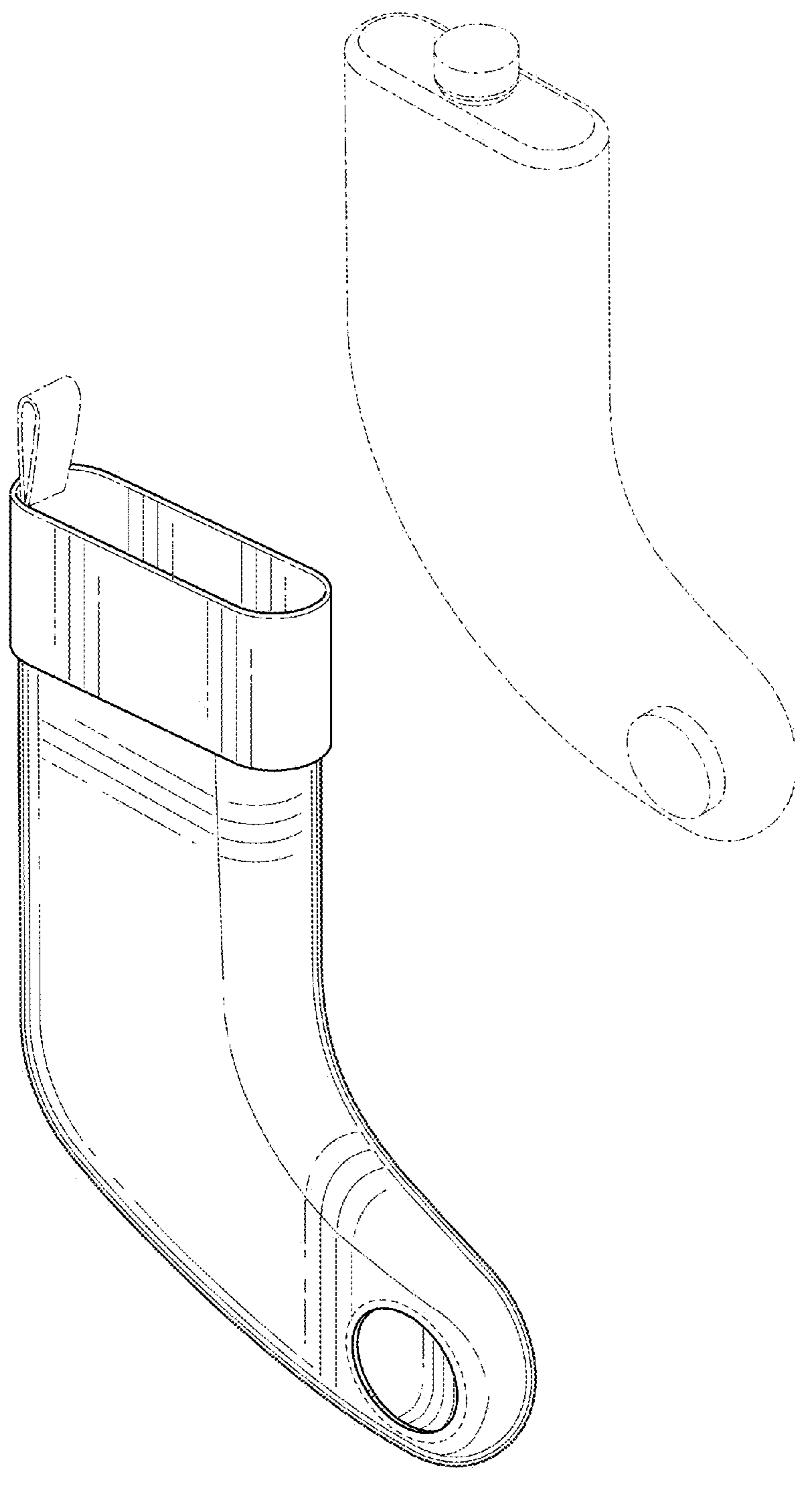


FIG. 6