



US00D727669S

(12) **United States Design Patent**
Skalka

(10) **Patent No.:** **US D727,669 S**
(45) **Date of Patent:** **** Apr. 28, 2015**

- (54) **END FRAME FOR A BENCH**
- (71) Applicant: **Victor Stanley, Inc.**, Dunkirk, MD (US)
- (72) Inventor: **Gerald Skalka**, Potomac, MD (US)
- (73) Assignee: **Victor Stanley, Inc.**, Dunkirk, MD (US)
- (**) Term: **14 Years**
- (21) Appl. No.: **29/495,208**
- (22) Filed: **Jun. 27, 2014**

Related U.S. Application Data

- (62) Division of application No. 29/471,315, filed on Oct. 30, 2013, now Pat. No. Des. 711,175.
- (51) **LOC (10) Cl.** **06-01**
- (52) **U.S. Cl.**
USPC **D6/717**
- (58) **Field of Classification Search**
CPC A47C 4/03; A47C 5/06; A47C 5/12;
A47C 7/16; A47C 11/00; A47C 15/002
USPC D6/334-336, 349, 355, 368, 370-381,
D6/708, 708.16, 709, 716, 716.1-716.4,
D6/717; D12/115; 297/411.41, 411.42,
297/445.1, 446.1, 448.2, 452.63
See application file for complete search history.

(56) **References Cited**

U.S. PATENT DOCUMENTS

D165,952 S 2/1952 Weatherly
4,113,312 A 9/1978 Skalka

(Continued)

OTHER PUBLICATIONS

U.S. Notice of Allowance dated Dec. 4, 2014, issued in Design U.S. Appl. No. 29/477,327 (8 pages).

(Continued)

Primary Examiner — Ricky Pham
(74) *Attorney, Agent, or Firm* — Westerman, Hattori, Daniels & Adrian, LLP

(57) **CLAIM**
The ornamental design for an end frame for a bench, as shown and described.

DESCRIPTION

FIG. 1 is an isometric view of a first embodiment of an end frame for a bench showing my new design.

FIG. 2 is a right side elevational view of the end frame for a bench of FIG. 1, the left side elevational view being a mirror image thereof.

FIG. 3 is a front elevational view of the end frame for a bench of FIG. 1.

FIG. 4 is a bottom plan view of the end frame for a bench of FIG. 1.

FIG. 5 is a top plan view of the end frame for a bench of FIG. 1.

FIG. 6 is a back elevational view of the end frame for a bench of FIG. 1.

FIG. 7 is an isometric view of a second embodiment of an end frame for a bench showing my new design.

FIG. 8 is a right side elevational view of the end frame for a bench of FIG. 7, the left side elevational view being a mirror image thereof.

FIG. 9 is a front elevational view of the end frame for a bench of FIG. 7.

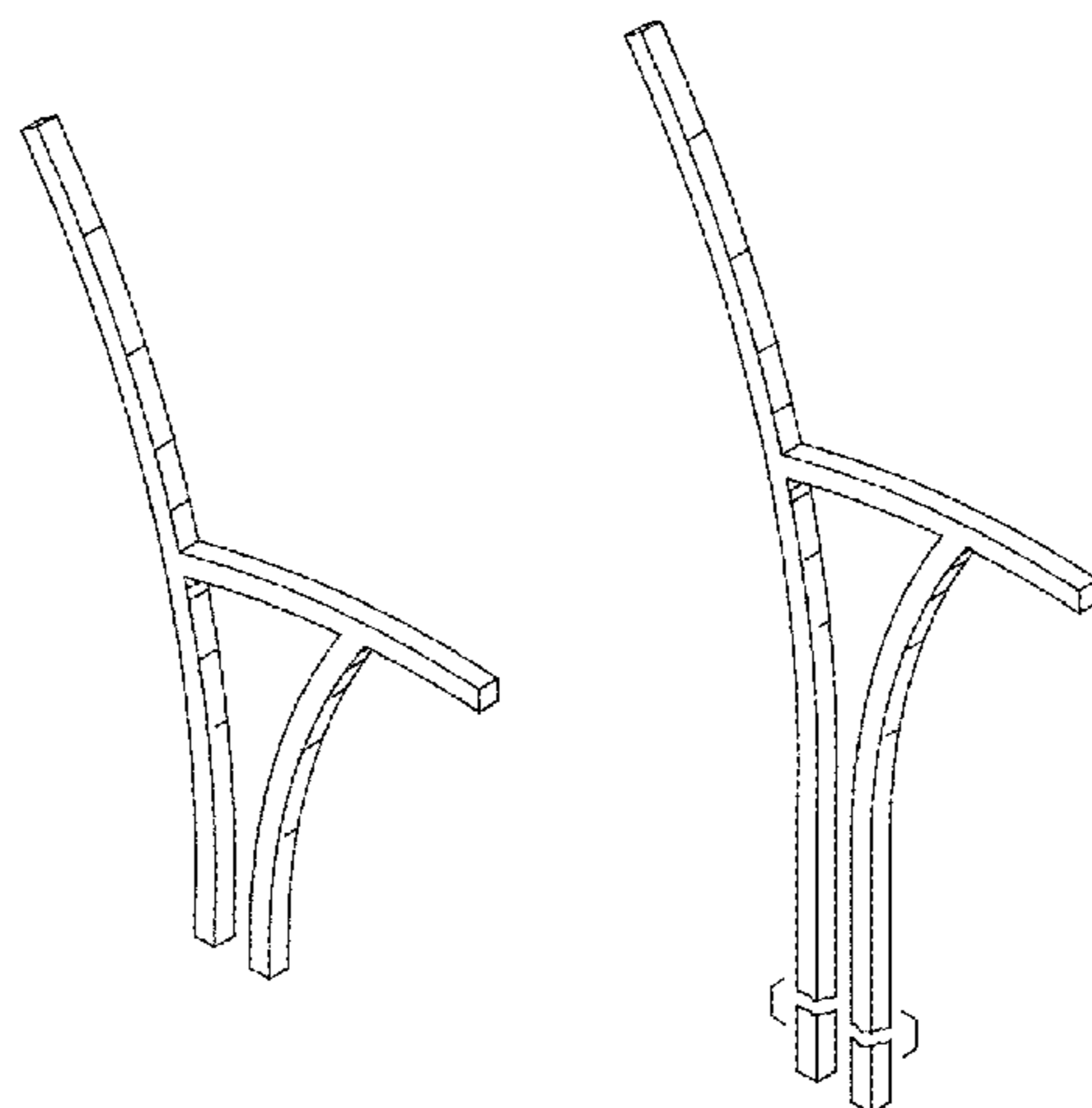
FIG. 10 is a bottom plan view of the end frame for a bench of FIG. 7.

FIG. 11 is a top plan view of the end frame for a bench of FIG. 7; and,

FIG. 12 is a back elevational view of the end frame for a bench of FIG. 7.

The legs of the end frame of the bench are shown broken-away transversely in FIGS. 7-9 and 12 to indicate that a specific length forms no part of the claimed design of the embodiment of FIGS. 7-9 and 12.

1 Claim, 2 Drawing Sheets



(56)

References Cited

U.S. PATENT DOCUMENTS

4,306,660 A 12/1981 Livingston
D263,189 S * 3/1982 Beals D6/495
D263,353 S 3/1982 Beals
D314,677 S 2/1991 Hanna
D345,874 S 4/1994 Muller
5,388,736 A 2/1995 Schmidt
D359,395 S 6/1995 Miller
D365,937 S 1/1996 Skalka
D376,271 S 12/1996 Skalka
D376,937 S 12/1996 Skalka
D383,615 S 9/1997 Skalka
D384,512 S 10/1997 Skalka
D386,012 S 11/1997 Skalka
D406,700 S * 3/1999 Slear D6/376
D408,660 S 4/1999 Donnelly
5,942,261 A 8/1999 Dreith
D413,738 S * 9/1999 Hornyak D6/370
D419,004 S 1/2000 Collins
D419,341 S 1/2000 Chipman
D420,226 S * 2/2000 Sabo D6/380
D420,823 S * 2/2000 Tyler D6/370
D442,379 S * 5/2001 Vertongen D6/368
D446,399 S * 8/2001 Slear D6/370
D450,498 S 11/2001 Skalka
D457,738 S * 5/2002 Slear et al. D6/355
D457,742 S 5/2002 Arnold
D458,044 S * 6/2002 Slear et al. D6/370
D458,475 S 6/2002 Hecht et al.
D467,101 S 12/2002 Hughes
D468,550 S 1/2003 Pappas
D473,063 S 4/2003 Pappas
D473,391 S 4/2003 Haney et al.
D486,004 S 2/2004 Haney et al.
D486,664 S 2/2004 Pappas
D498,079 S 11/2004 Messier
D503,054 S * 3/2005 Olson D6/499
D507,511 S * 7/2005 Lassanske D12/115
D509,675 S 9/2005 Reza-Hadden
D512,229 S 12/2005 Reza-Hadden
D513,893 S 1/2006 Reza-Hadden
D518,419 S * 4/2006 Smith D12/115
D522,281 S 6/2006 Schiefer et al.
D522,282 S 6/2006 Schiefer et al.
D522,283 S * 6/2006 Schiefer et al. D6/495
D522,775 S 6/2006 Skalka
D523,263 S 6/2006 Skalka
D523,650 S 6/2006 Skalka
D525,809 S 8/2006 Hughes
D526,149 S * 8/2006 Schiefer et al. D6/501
D526,514 S 8/2006 Hughes
D526,518 S 8/2006 Schiefer et al.
D526,805 S 8/2006 Skalka
D528,831 S 9/2006 Rizzi
D530,535 S 10/2006 Skalka
D530,548 S * 10/2006 McCurry D6/500
D532,620 S 11/2006 Skalka
D532,630 S 11/2006 Rizzi
D534,021 S 12/2006 Rizzi
D562,034 S 2/2008 Pappas
D563,689 S 3/2008 Skalka
D571,581 S 6/2008 Weimer et al.
D572,048 S 7/2008 Weimer et al.

D572,947 S 7/2008 Weimer et al.
D578,808 S 10/2008 Pappas
D579,227 S 10/2008 Skalka
D579,684 S 11/2008 Skalka
D579,685 S 11/2008 Skalka
D585,209 S 1/2009 Skalka
D585,210 S 1/2009 Rizzi
D585,211 S 1/2009 Rizzi
D585,220 S 1/2009 Skalka
D590,621 S 4/2009 Pappas
D601,823 S 10/2009 Skalka
D607,229 S 1/2010 Skalka
D613,646 S 4/2010 Schwartz et al.
D615,765 S * 5/2010 Chan D6/381
D629,233 S 12/2010 Slear et al.
D629,234 S 12/2010 Marousek
D632,104 S 2/2011 Marousek
D647,732 S 11/2011 McCurry
D648,157 S 11/2011 McCurry
D648,658 S 11/2011 Soto et al.
D658,551 S 5/2012 Skalka
D669,695 S * 10/2012 McCurry D6/349
D679,629 S 4/2013 Davenport
D680,346 S 4/2013 Pedersen et al.
D689,293 S 9/2013 Watton
D689,320 S 9/2013 Watton
D692,710 S * 11/2013 Hallberg et al. D6/709
D696,885 S 1/2014 Skalka
D697,352 S 1/2014 Skalka
D704,974 S 5/2014 Lee
D710,122 S * 8/2014 Skalka et al. D6/370
D710,139 S * 8/2014 Skalka D6/717
D710,624 S * 8/2014 Skalka D6/370
D710,625 S * 8/2014 Skalka D6/370
D710,626 S * 8/2014 Skalka D6/370
D711,174 S * 8/2014 Skalka et al. D6/717
D711,175 S * 8/2014 Skalka D6/717
D711,176 S * 8/2014 Skalka D6/717

OTHER PUBLICATIONS

“PRNA-10 Production Series”, Victor Stanley, Inc., Mar. 7, 2005.
“Homestead Series Model-8”, Victor Stanley, Inc., Apr. 17, 2002.
“Homestead Series Model-8,” Victor Stanley, Inc. (2002).
“PRNA-10 Production Series,” Victor Stanley, Inc. (Mar. 2005).
U.S. Notice of Allowance dated Apr. 16, 2014, issued in related U.S. Appl. No. 29/471,315 (6 pages).
U.S. Notice of Allowance dated Apr. 16, 2014, issued in related U.S. Appl. No. 29/458,004 (6 pages).
U.S. Notice of Allowance dated Apr. 16, 2014, issued in related U.S. App. No. 29/471,277 (6 pages).
U.S. Notice of Allowance dated Apr. 10, 2014, issued in related U.S. Appl. No. 29/477,393 (12 pages).
U.S. Restriction Requirement dated Mar. 25, 2014, issued in related U.S. Appl. No. 29/458,004 (17 pages).
U.S. Restriction Requirement dated Mar. 25, 2014, issued in related U.S. Appl. No. 29/471,277 (16 pages).
U.S. Restriction Requirement dated Mar. 26, 2014, issued in related U.S. Appl. No. 29/471,315 (18 pages).
US Notice of Allowance dated Jan. 8, 2015, issued in corresponding U.S. Appl. No. 29/495,167 (31 pages).
US Notice of Allowance dated Jan. 6, 2015, issued in corresponding U.S. Appl. No. 29/495,185 (30 pages).

* cited by examiner

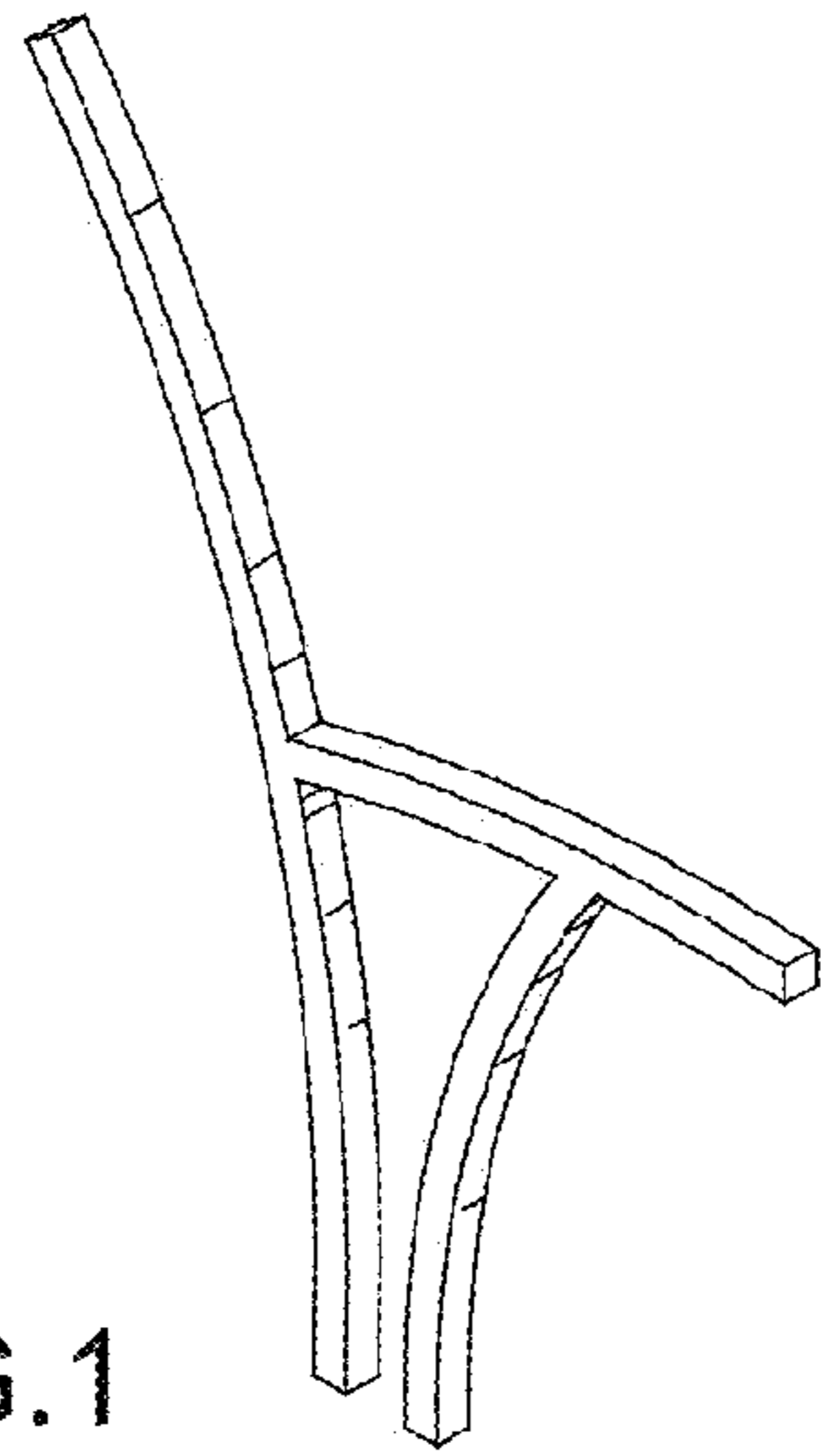


FIG.1

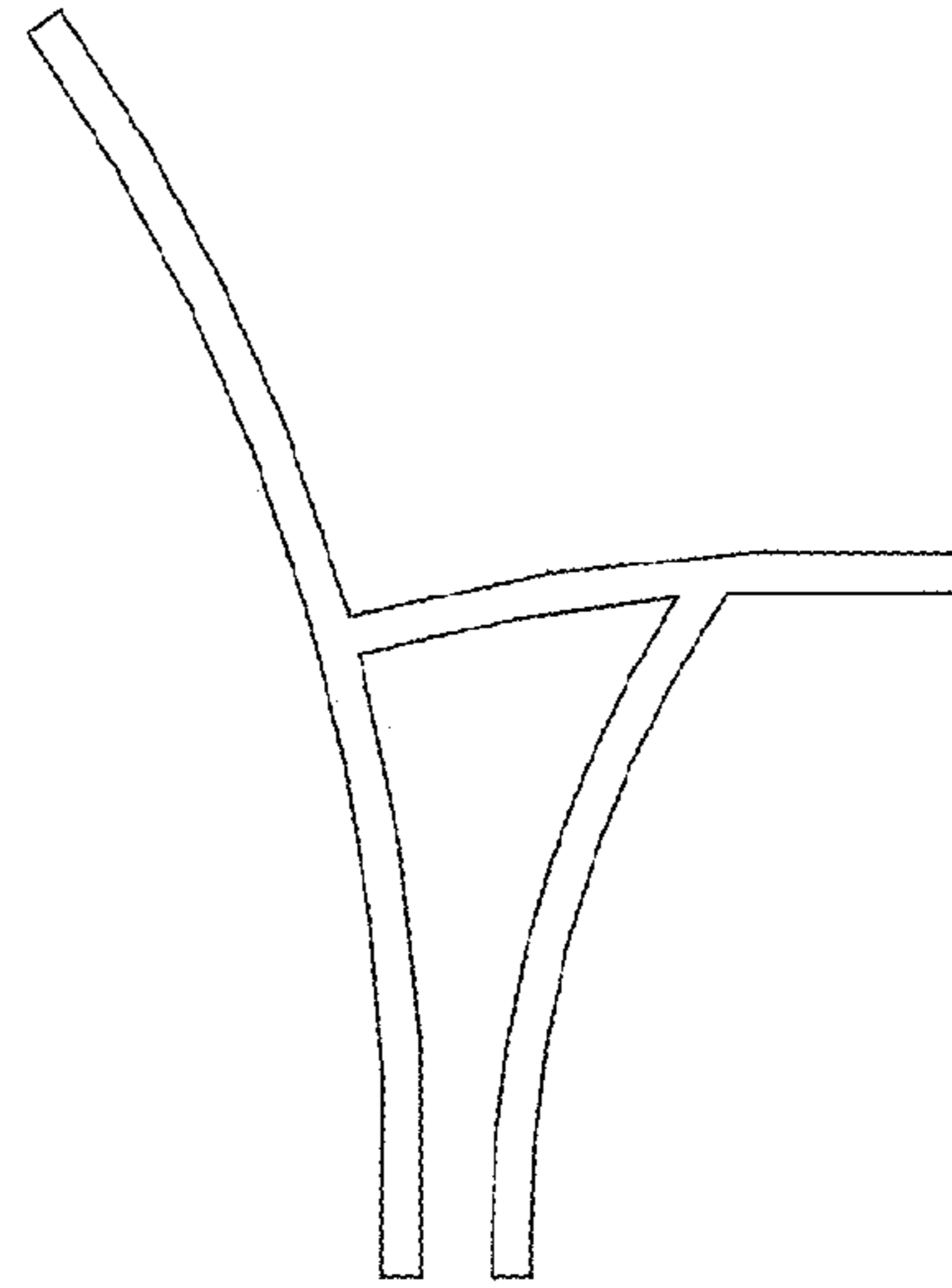


FIG.2



FIG.3



FIG.5



FIG.4



FIG.6

