



US00D727667S

(12) **United States Design Patent**
Bergum

(10) **Patent No.:** **US D727,667 S**

(45) **Date of Patent:** **** Apr. 28, 2015**

(54) **STORAGE CABINET WITH DRAWER**

(56) **References Cited**

(71) Applicant: **Knaack LLC**, Crystal Lake, IL (US)

U.S. PATENT DOCUMENTS

(72) Inventor: **Robert A. Bergum**, Woodstock, IL (US)

D205,522	S	*	8/1966	Doman	D6/445
4,659,154	A	*	4/1987	Jenkins	312/277
5,332,305	A	*	7/1994	Slivon et al.	312/328
D370,342	S	*	6/1996	Gwyther	D3/254
5,857,757	A	*	1/1999	Bieker et al.	312/351.3
D404,945	S	*	2/1999	Simpkins et al.	D6/510
D424,328	S	*	5/2000	Dominik	D6/445
D427,807	S	*	7/2000	Holcomb et al.	D6/445
6,375,235	B1	*	4/2002	Mehmen	292/128
D523,667	S	*	6/2006	Bisson	D6/510
D529,254	S	*	9/2006	Huguet	D34/27
D540,999	S	*	4/2007	Huguet	D34/27
D543,001	S	*	5/2007	Huguet	D34/27
RE40,267	E	*	4/2008	Mehmen	292/128
D565,874	S	*	4/2008	Oura et al.	D6/510
D565,875	S	*	4/2008	Oura et al.	D6/510
D574,629	S	*	8/2008	Kalkwarf	D6/445
D579,245	S	*	10/2008	Daino et al.	D6/510
D587,014	S	*	2/2009	Hand	D3/318

(73) Assignee: **Knaack LLC**, Crystal Lake, IL (US)

(**) Term: **14 Years**

(21) Appl. No.: **29/509,016**

(22) Filed: **Nov. 13, 2014**

Related U.S. Application Data

(62) Division of application No. 29/467,554, filed on Sep. 20, 2013, now Pat. No. Des. 719,771.

(51) **LOC (10) Cl.** **06-06**

(52) **U.S. Cl.**
USPC **D6/705.5**

(58) **Field of Classification Search**
CPC A01K 97/26; A47B 49/00; A47B 49/002;
A47B 67/00; A47B 67/04; A47B 87/02;
A47B 88/04; A47B 88/0411; A47B 88/20;
A47B 2210/00; A47B 2210/004; A47B
2210/0078; A47B 2210/0008; A47F 3/00;
B62B 3/00; B25H 3/00; B25H 3/003; B25H
3/006; B25H 3/02; B25H 3/021; B25H 3/028;
E05B 65/46; E05C 3/14
USPC D3/254, 279, 283–284, 286, 297,
D3/318–319, 905; D6/662, 663, 664.1,
D6/668, 668.1, 668.2, 669, 671, 671.1,
D6/671.2, 671.3, 671.4, 705, 705.5, 705.7;
D34/19, 20, 21, 27; 292/128; 312/107,
312/117, 138.1, 204, 226–227, 237, 249.1,
312/249.4, 249.8, 249.11, 249.12, 277–279,
312/308, 311, 328, 330.1, 332.1, 348.4,
312/351.3

See application file for complete search history.

(Continued)

Primary Examiner — Ricky Pham

(74) *Attorney, Agent, or Firm* — McDonnell Boehnen Hulbert & Berghoff LLP

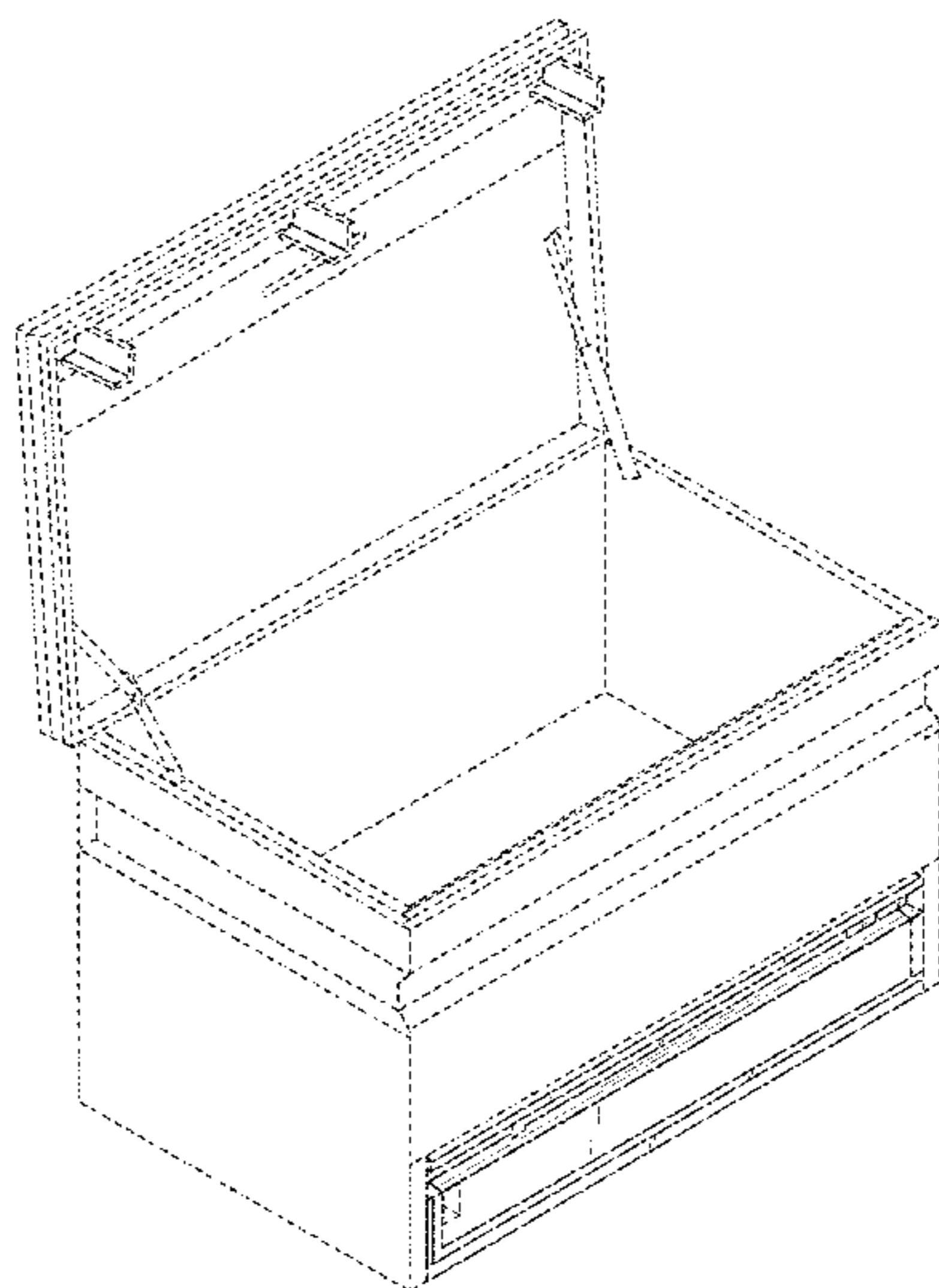
(57) **CLAIM**

The ornamental design for a storage cabinet with drawer, as shown and described.

DESCRIPTION

FIG. 1 is a perspective of the storage cabinet with drawer of the present design;
FIG. 2 is a front view thereof;
FIG. 3 is a rear view thereof;
FIG. 4 is a left side view thereof;
FIG. 5 is a right side view thereof;
FIG. 6 is a top view thereof; and,
FIG. 7 is a bottom view thereof.
The broken line portions of the drawings are for illustrative purposes only and form no part of the claimed design.

1 Claim, 7 Drawing Sheets



(56)

References Cited

U.S. PATENT DOCUMENTS

D587,047 S * 2/2009 Kalkwarf D6/510
D599,145 S * 9/2009 Daino et al. D6/510
D672,174 S * 12/2012 Artus et al. D6/705

D690,972 S * 10/2013 Lizotte D6/705
D694,047 S * 11/2013 Hernanz Arbeloa et al. .. D6/705
8,608,261 B2 * 12/2013 Retchloff et al. 312/332.1
D719,771 S * 12/2014 Bergum D6/705.5

* cited by examiner

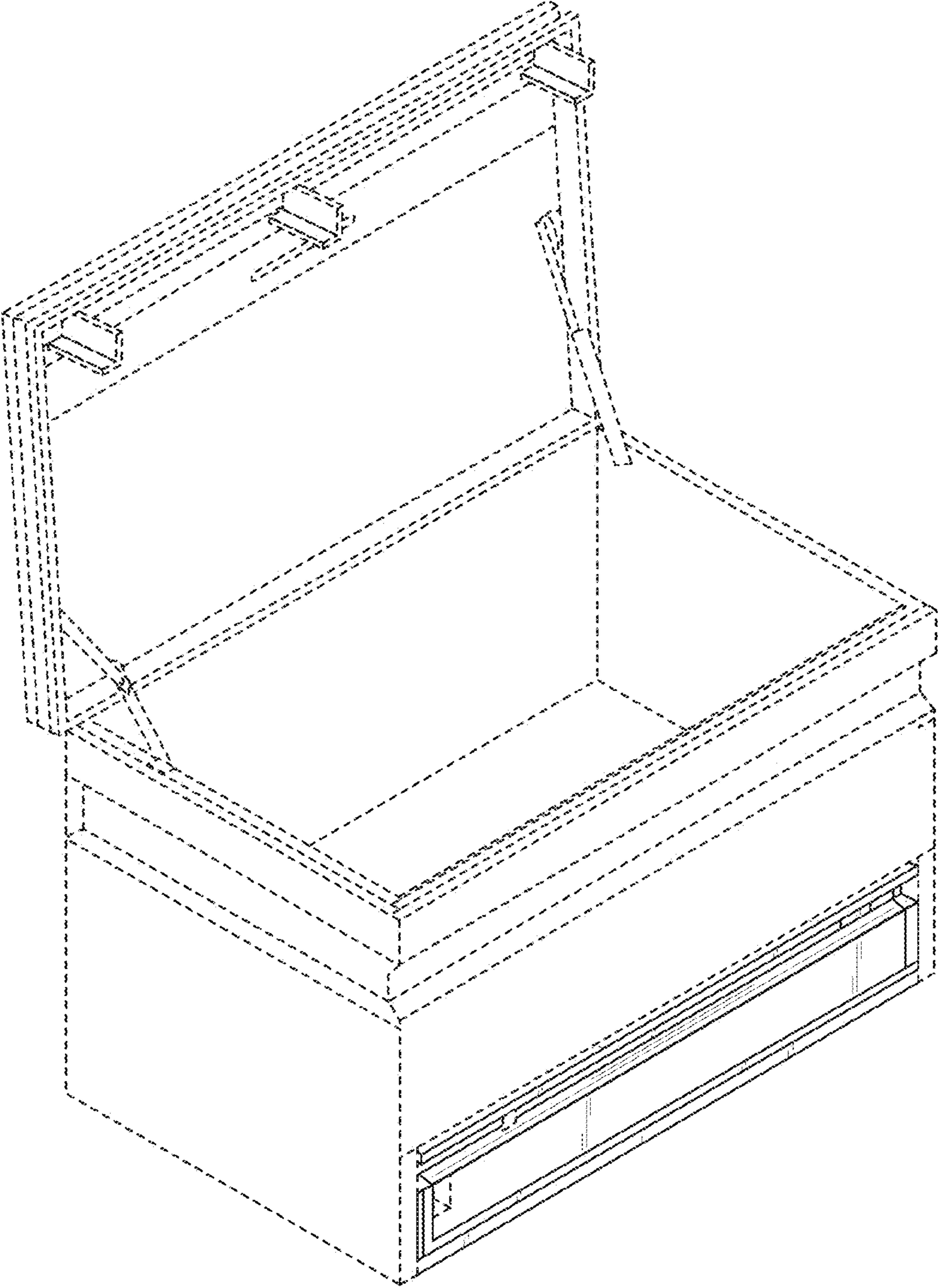


FIG. 1

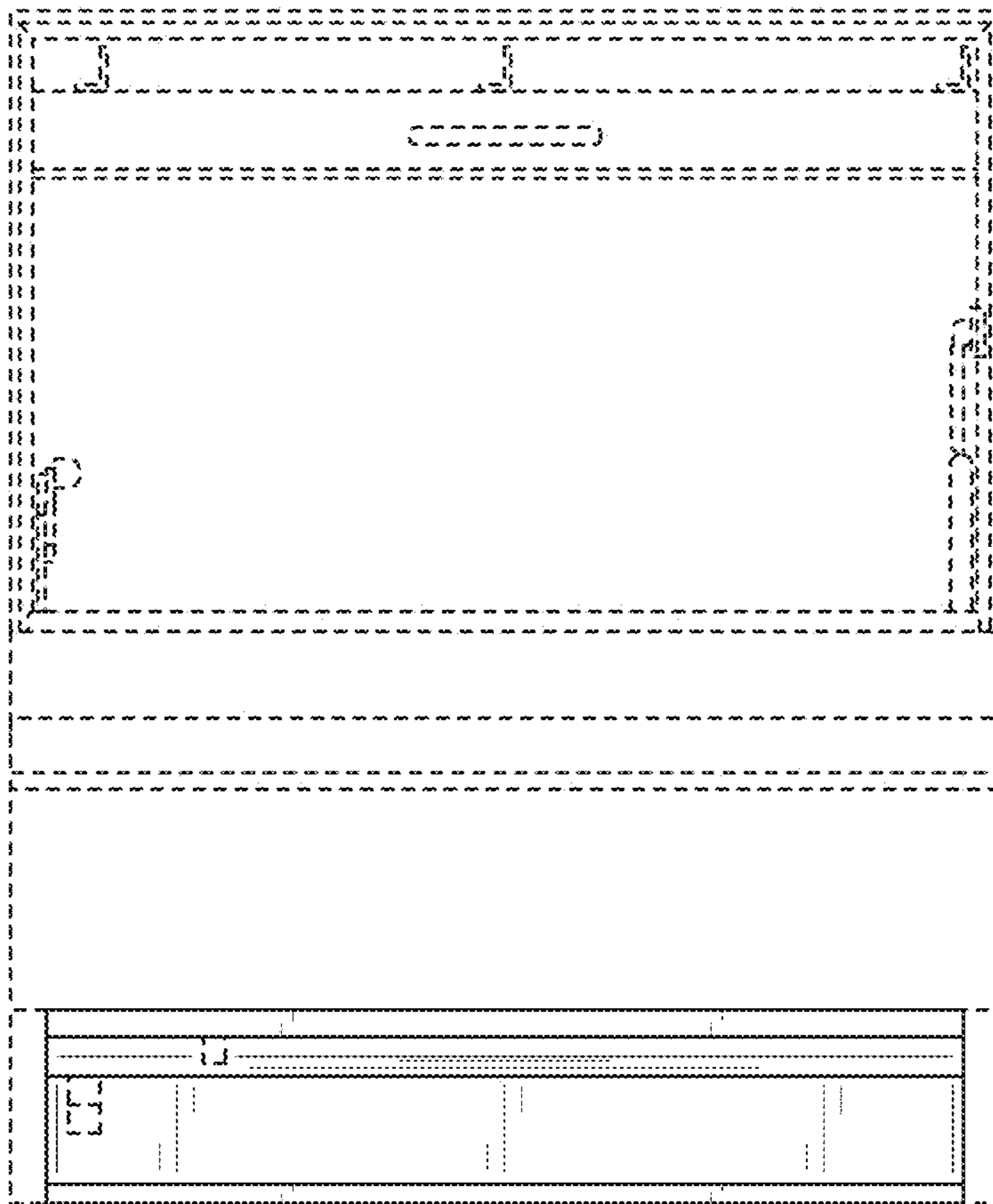


FIG. 2

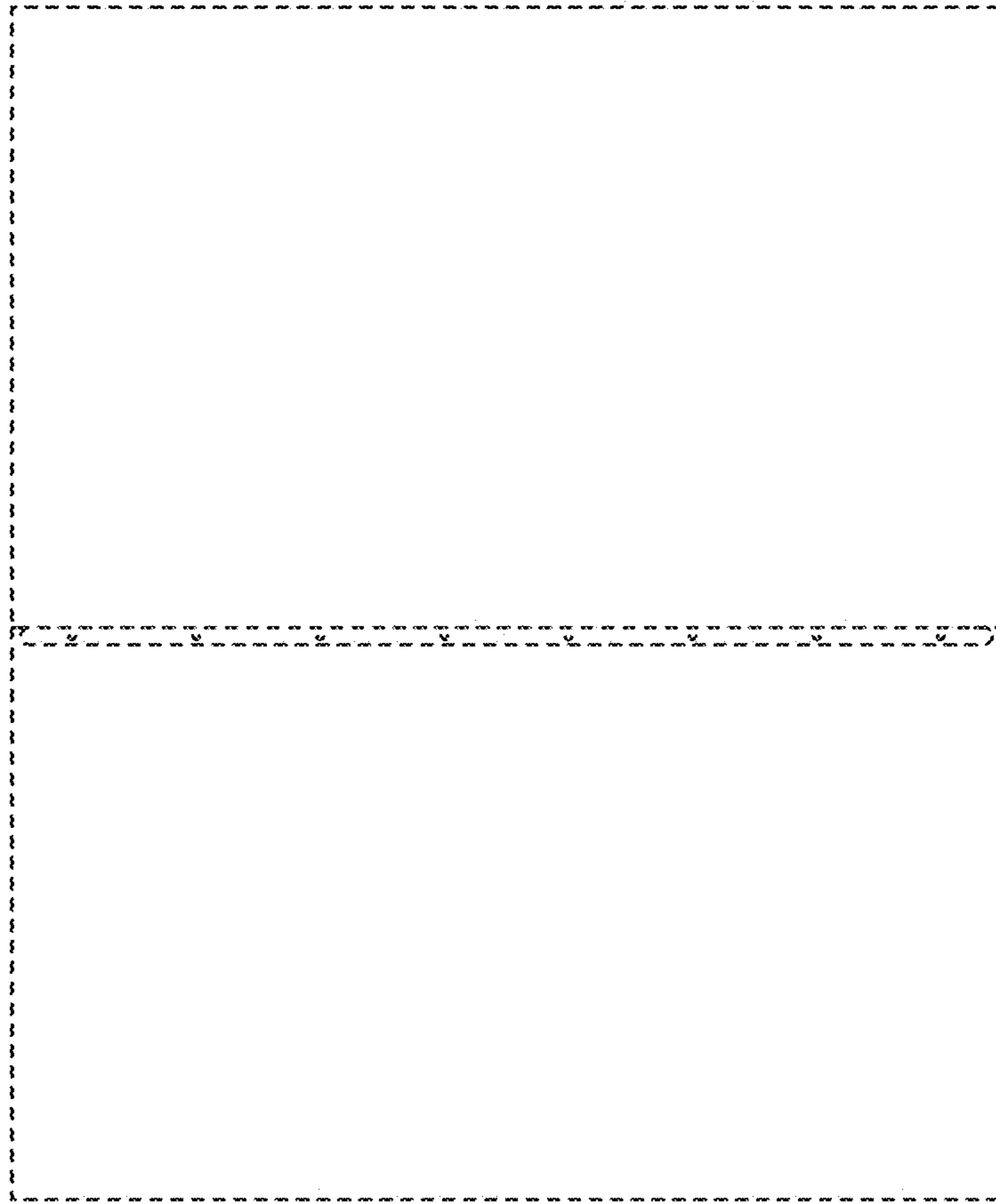


FIG. 3

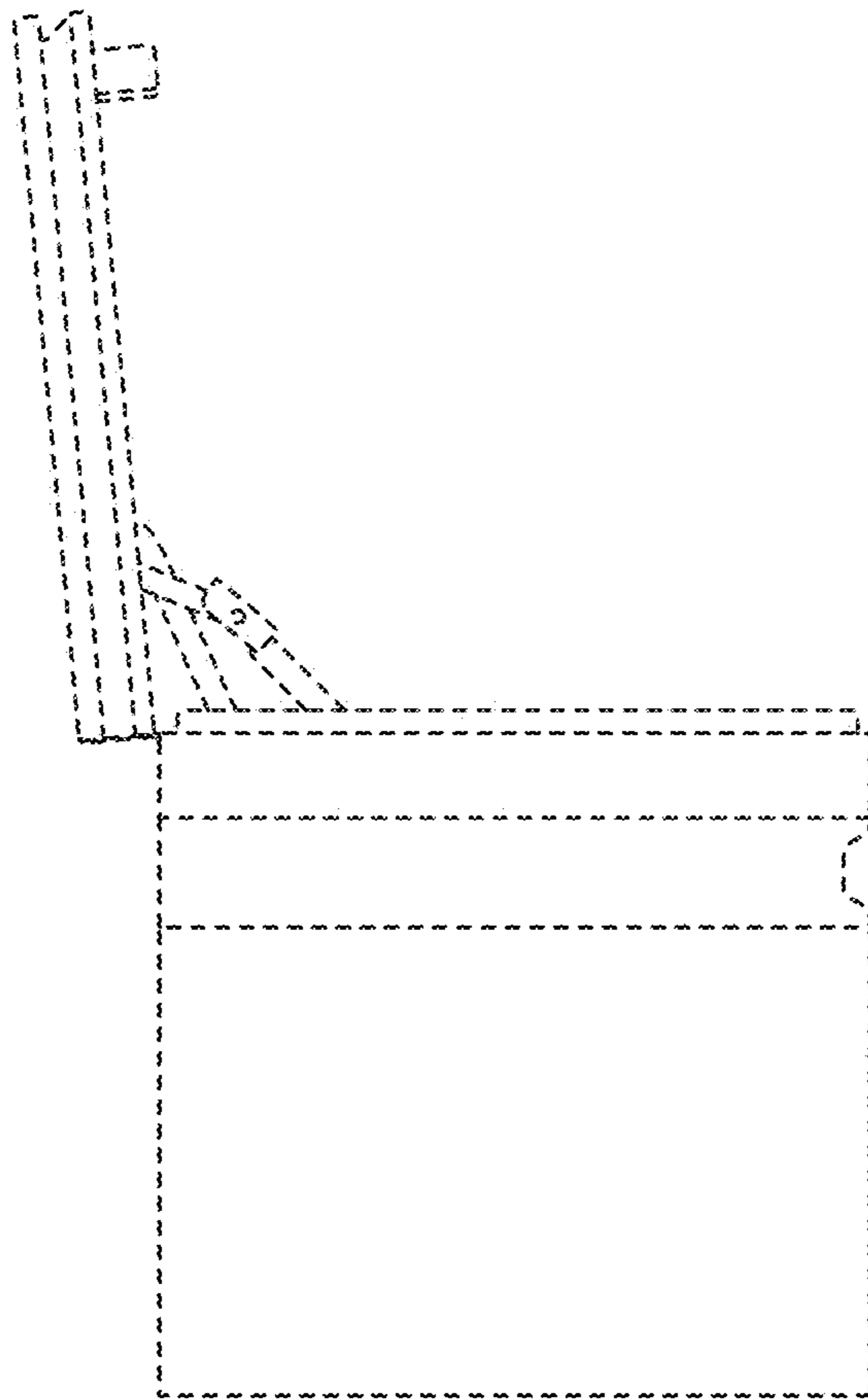


FIG. 4

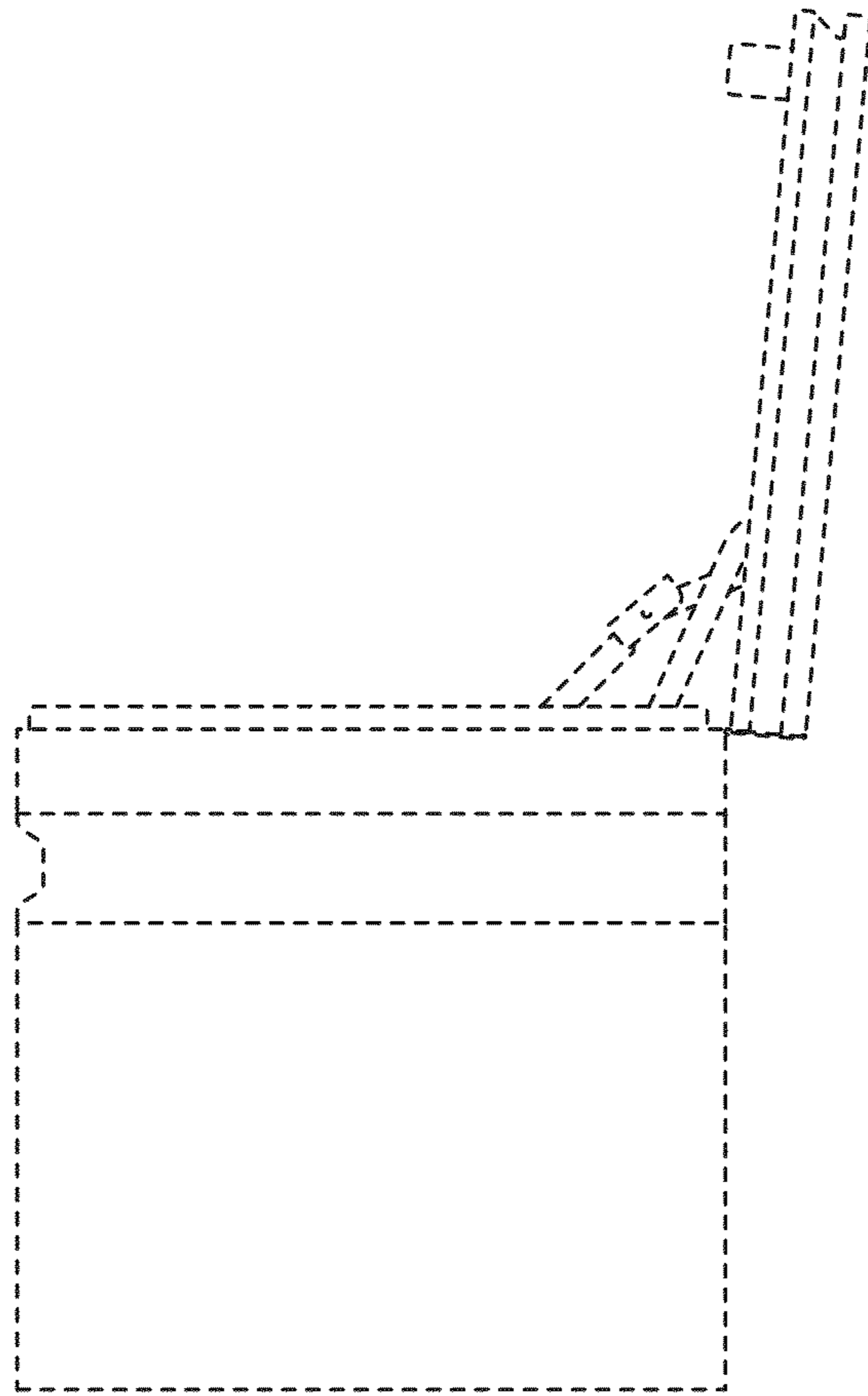


FIG. 5

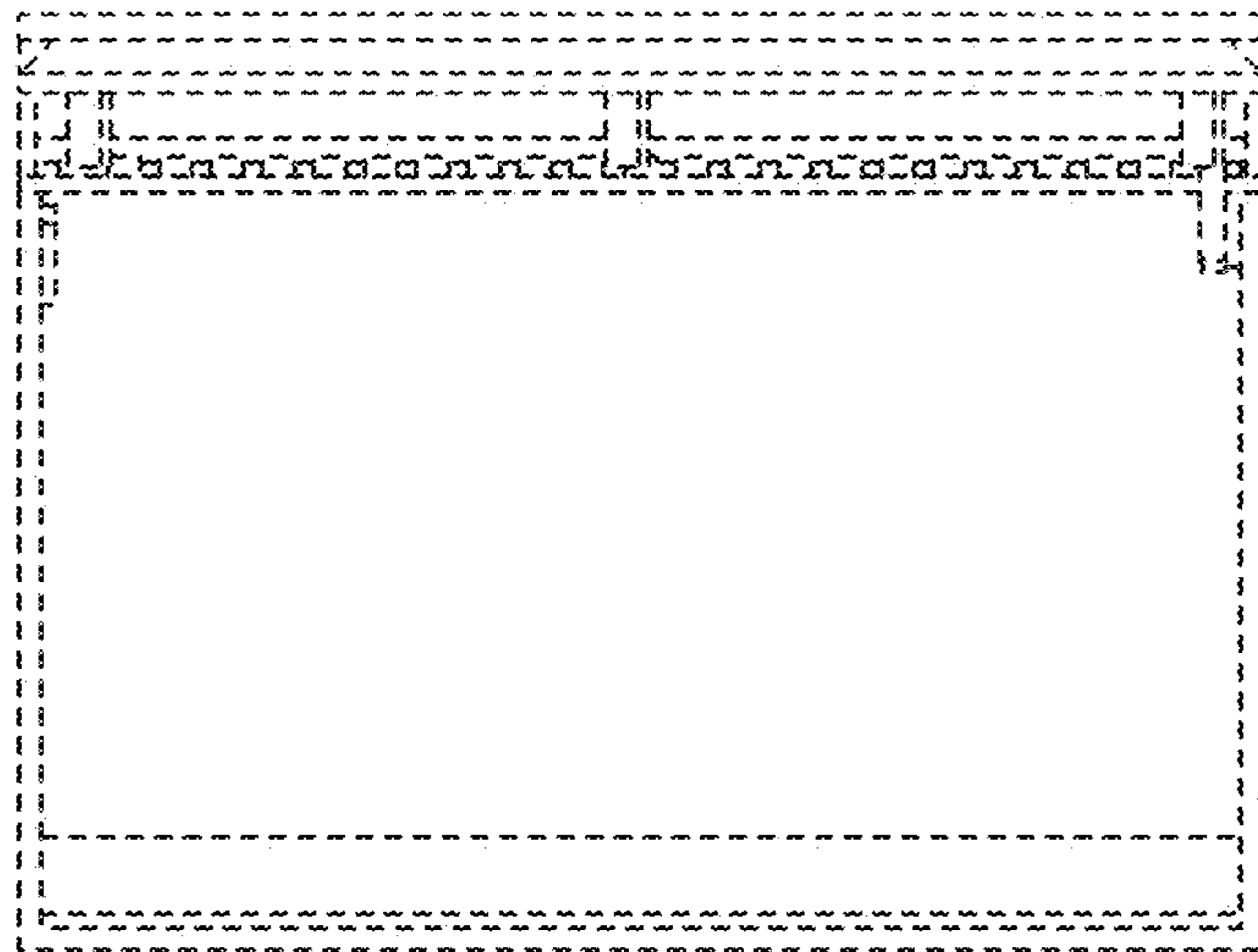


FIG. 6

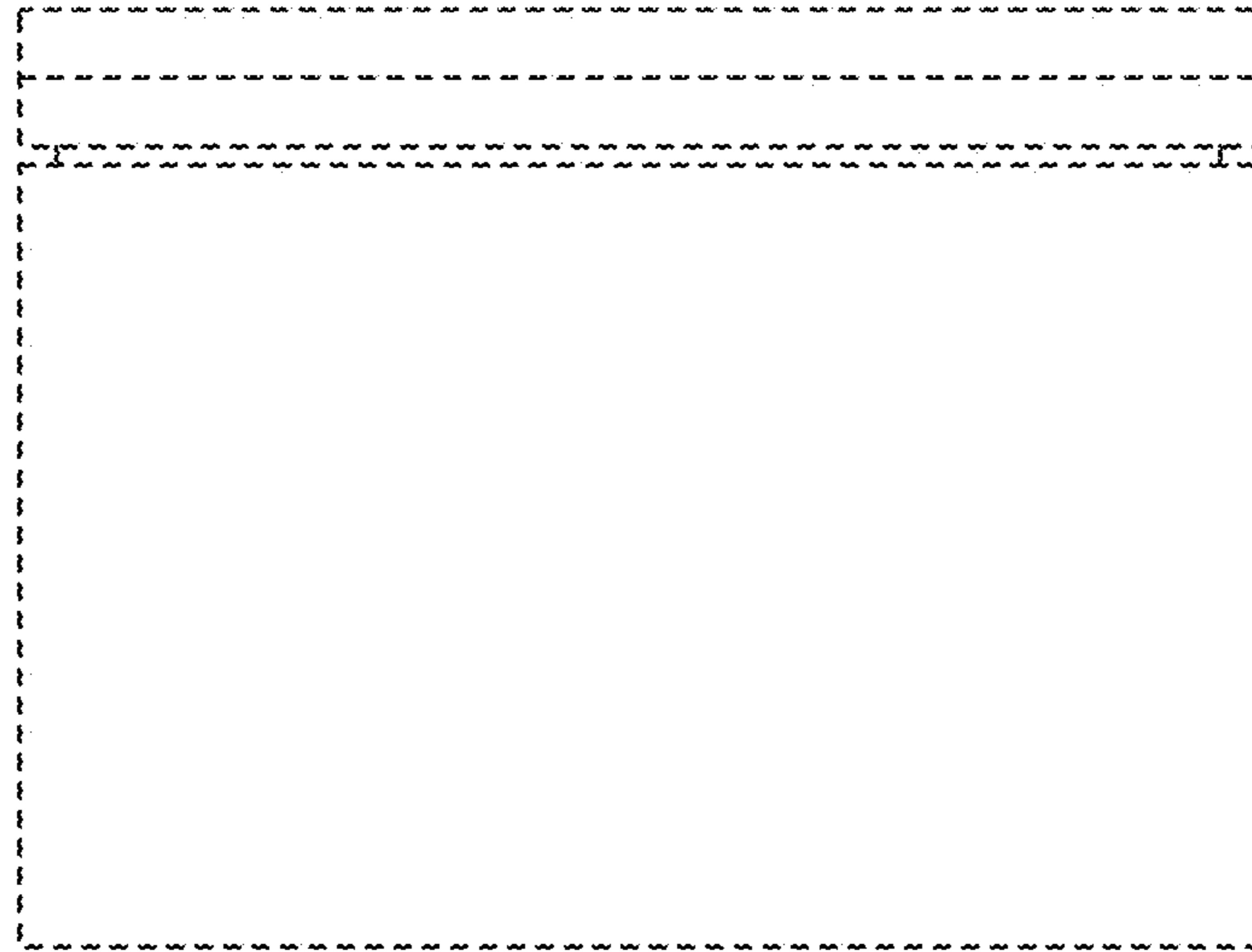


FIG. 7