



US00D727664S

(12) **United States Design Patent**
George

(10) **Patent No.:** **US D727,664 S**
(45) **Date of Patent:** **** Apr. 28, 2015**

- (54) **TOWEL WITH POCKETS**
- (71) Applicant: **Maria George**, Skokie, IL (US)
- (72) Inventor: **Maria George**, Skokie, IL (US)
- (73) Assignee: **Zipanga LLC**, Skokie, IL (US)
- (**) Term: **14 Years**
- (21) Appl. No.: **29/467,690**
- (22) Filed: **Sep. 22, 2013**
- (51) **LOC (10) Cl.** **06-13**
- (52) **U.S. Cl.**
USPC **D6/608**
- (58) **Field of Classification Search**
CPC A47C 27/081; A47G 9/02; A47G 9/04;
A47G 9/08
USPC D2/500, 501; D3/216, 274, 303;
D6/589, 591, 596, 598, 599, 602, 603,
D6/606, 608, 609, 614, 620; D21/604,
D21/605, 630; 5/485, 486, 495
See application file for complete search history.

5,724,698 A	3/1998	Mondragon	
5,730,529 A	3/1998	Fritz	
6,058,530 A	5/2000	Wheeler	
6,721,973 B1	4/2004	Cristiano	
D522,750 S *	6/2006	Girod	D3/303
D531,443 S *	11/2006	Sabeti et al.	D6/608
D634,149 S	3/2011	St. James	
D646,102 S *	10/2011	Margalit	D6/608
D658,422 S *	5/2012	Mandell	D6/608
8,239,985 B2 *	8/2012	Christensen et al.	5/417
D666,416 S *	9/2012	Haywood	D3/303
D673,802 S	1/2013	Wilson	
D677,508 S *	3/2013	Margalit	D6/608
8,464,374 B1 *	6/2013	Thayer	5/482
D685,569 S *	7/2013	Corl	D3/205
D707,466 S *	6/2014	Lancaster	D6/603
D707,470 S *	6/2014	George	D6/608
D708,870 S *	7/2014	George	D6/608
2013/0062915 A1	3/2013	Ajrouche	
2013/0125307 A1	5/2013	Margalit	

* cited by examiner

Primary Examiner — Karen S Acker
Assistant Examiner — Clare Ann Gannon
(74) *Attorney, Agent, or Firm* — Thaddeus Ilg

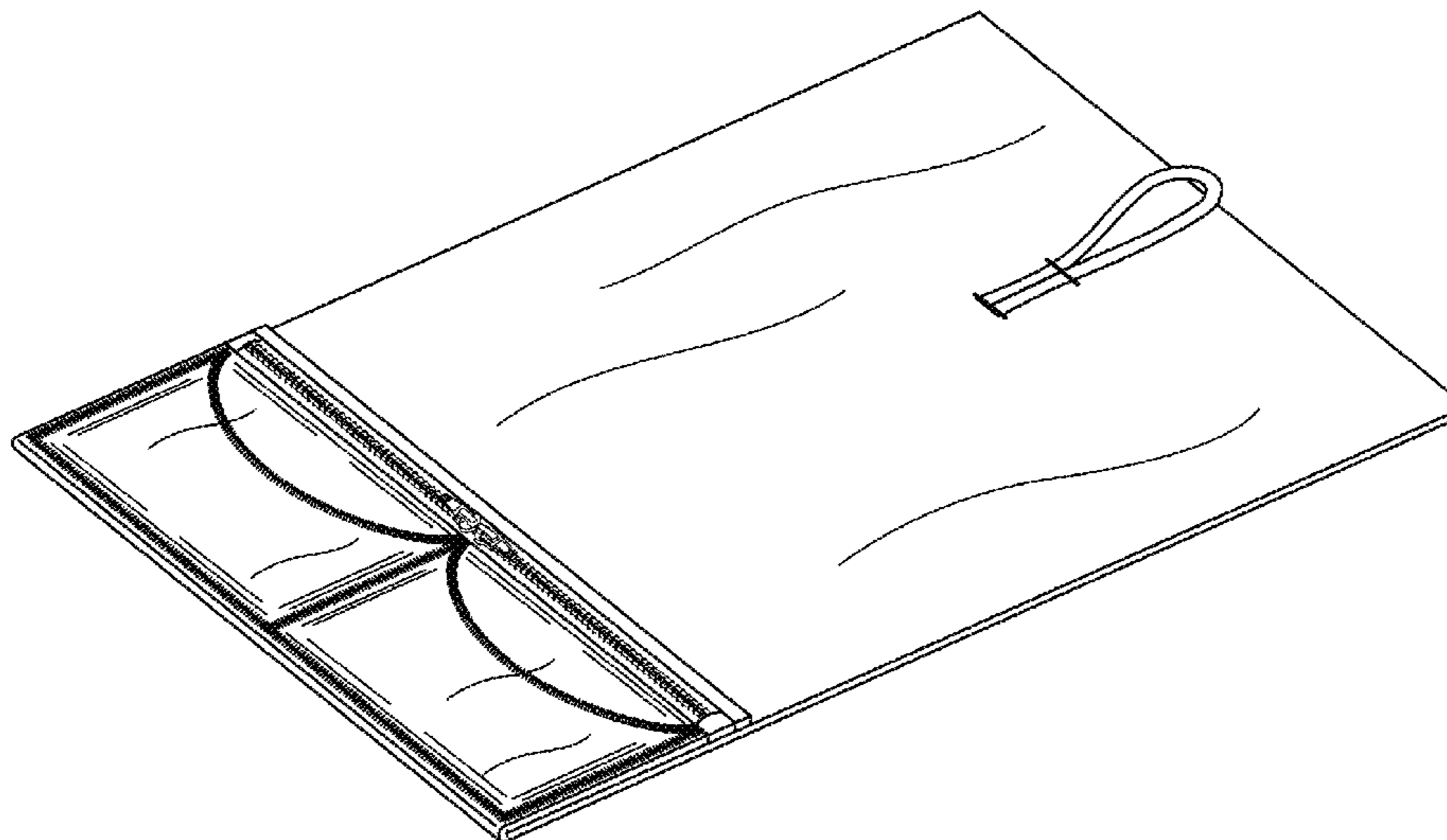
(57) **CLAIM**
The ornamental design for a towel with pockets, as shown and described.

- (56) **References Cited**
U.S. PATENT DOCUMENTS
- 2,033,840 A * 3/1936 Le Fevre 15/227
- 2,264,471 A 12/1941 Glenn
- D258,035 S 1/1981 Fenwick
- D290,908 S * 7/1987 Thomas D3/274
- D317,995 S * 7/1991 Crowley-McGregor D6/608
- D335,236 S * 5/1993 Wood D6/608
- D341,285 S * 11/1993 Kraus D6/608
- D341,513 S * 11/1993 Reeves et al. D6/596
- 5,443,880 A 8/1995 Wike
- D378,483 S * 3/1997 Kiefer D6/608
- 5,622,300 A * 4/1997 Robinson 224/575
- D379,730 S 6/1997 Dickman
- D382,757 S * 8/1997 Vick D6/608

DESCRIPTION

FIG. 1 is a front orthogonal view of a towel with pockets showing my new design;
FIG. 2 is a rear orthogonal view thereof;
FIG. 3 is a front view thereof shown hanging in a position of use; and,
FIG. 4 is a right side view thereof.
The broken lines showing a hook and phone in FIG. 3 represent environmental structure that forms no part of the claimed design.

1 Claim, 3 Drawing Sheets



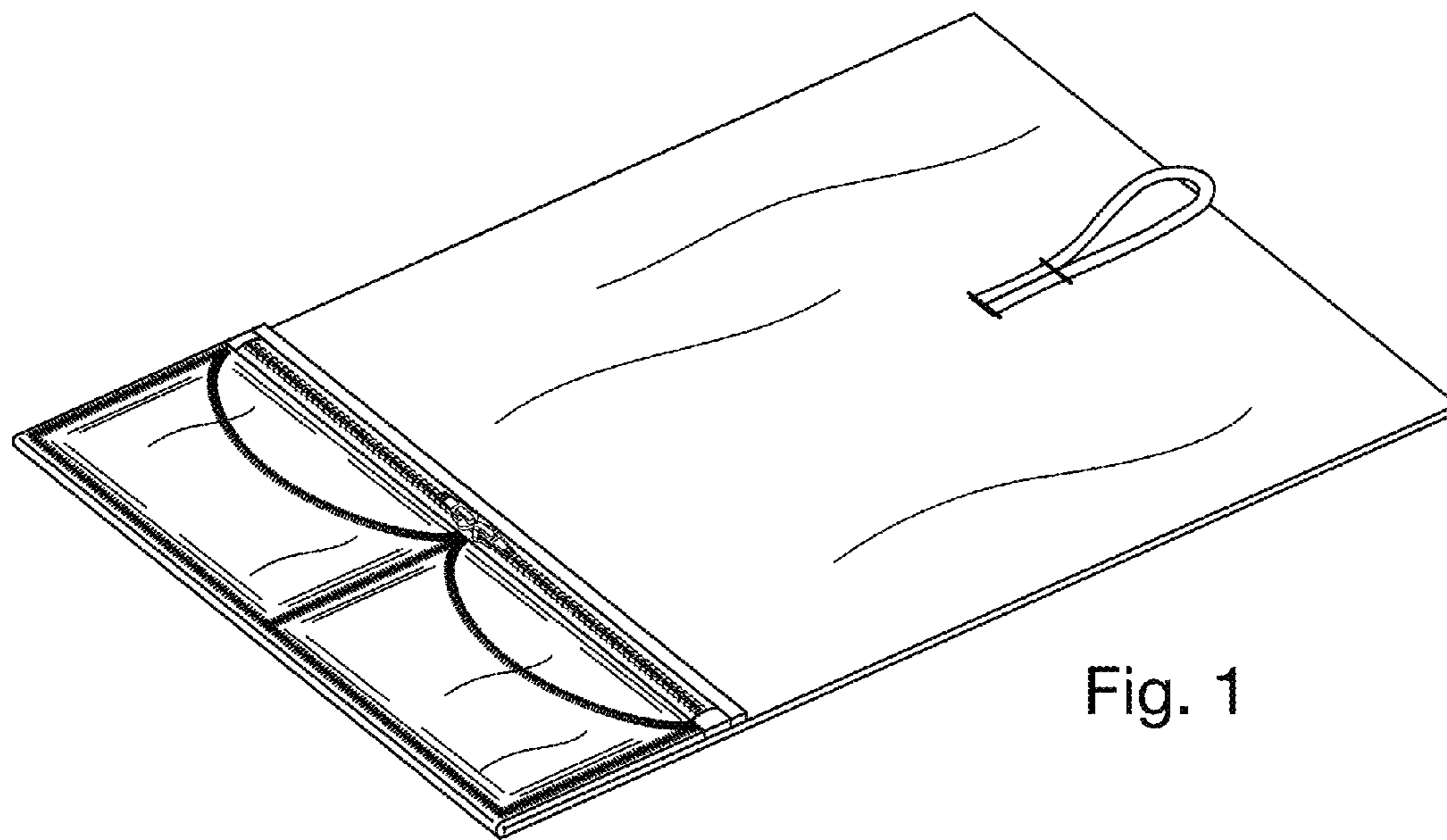


Fig. 1

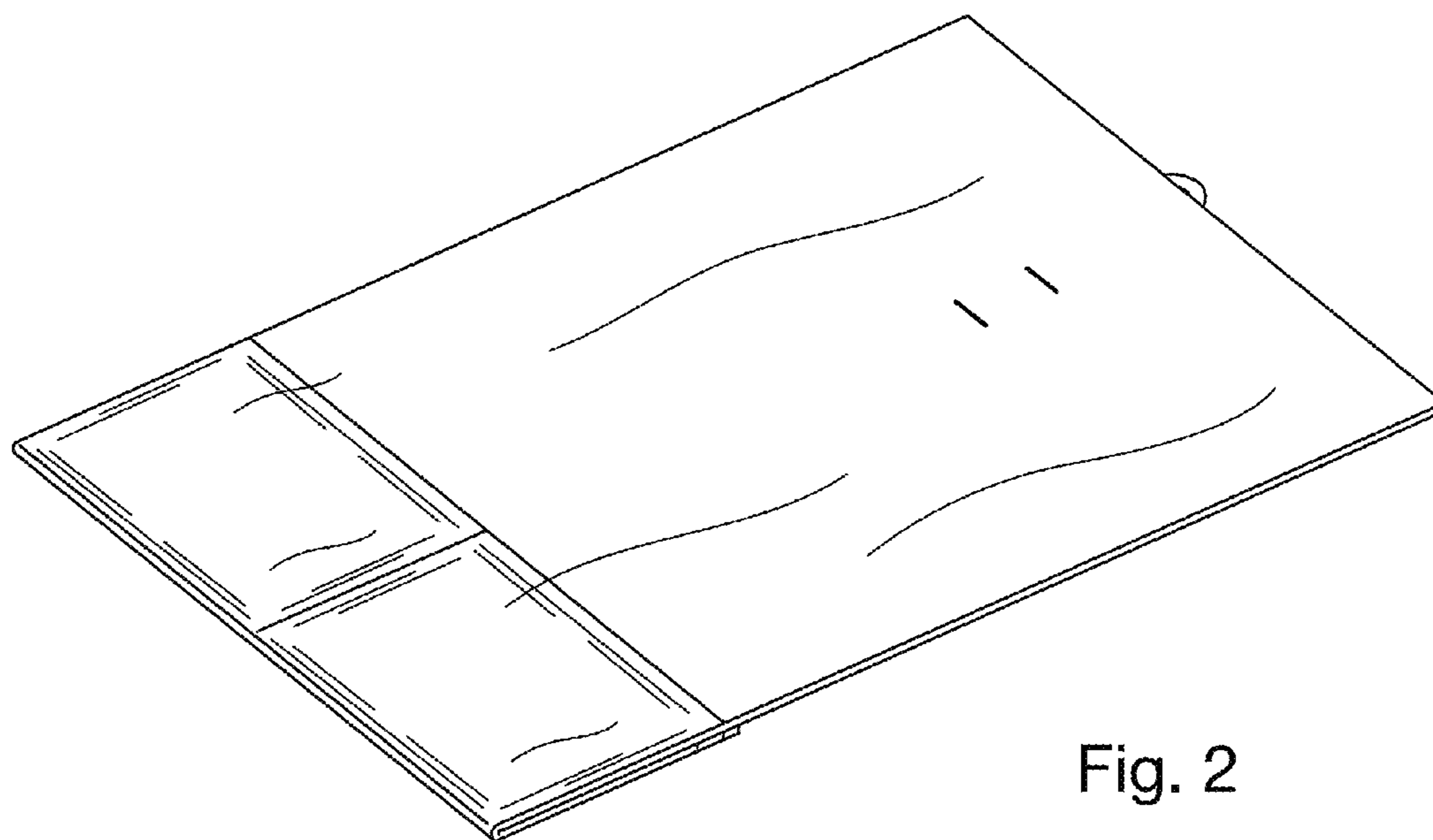


Fig. 2

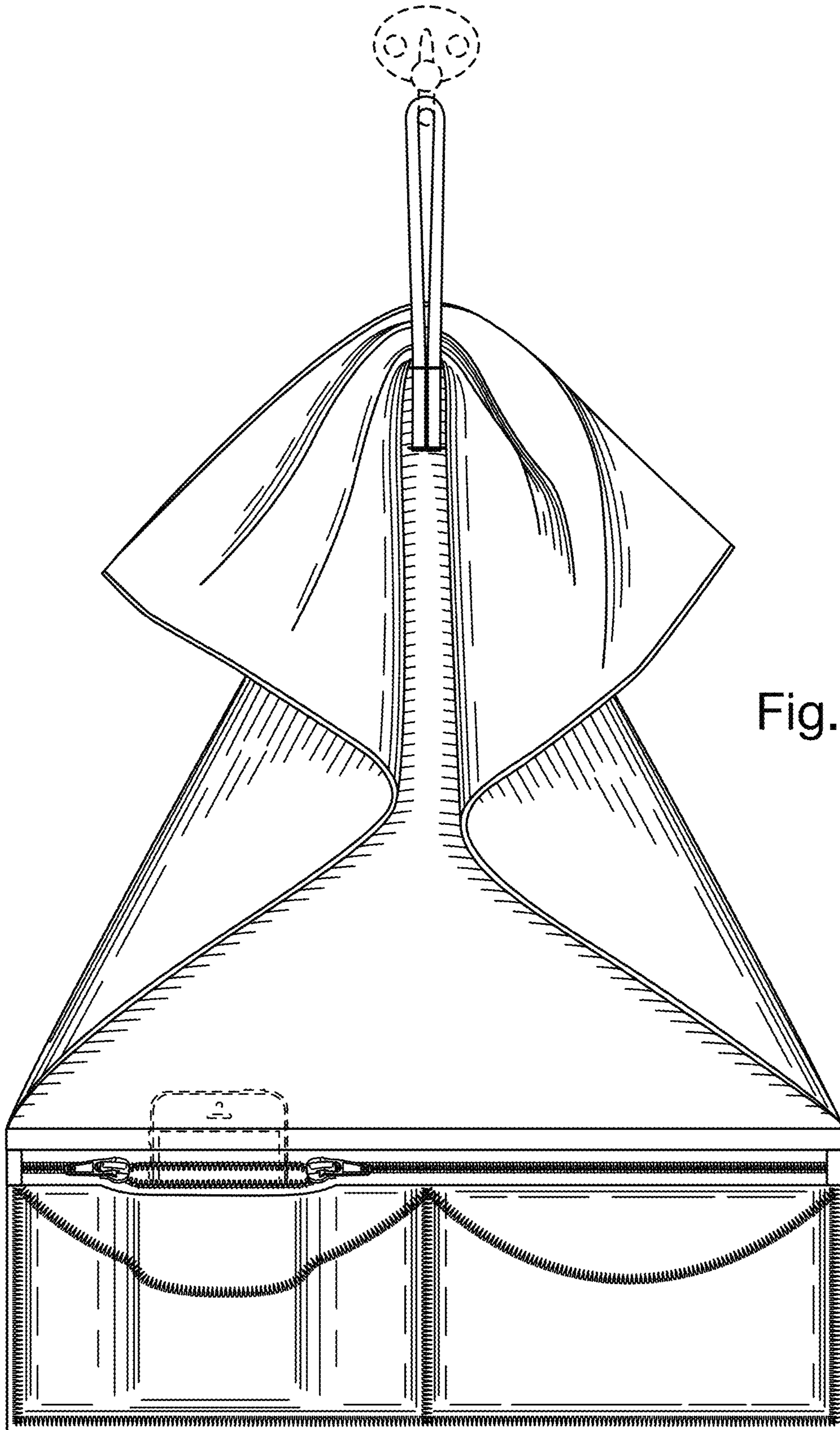


Fig. 3



Fig. 4