



US00D727659S

(12) **United States Design Patent**  
**Kao**

(10) **Patent No.:** **US D727,659 S**

(45) **Date of Patent:** **\*\* Apr. 28, 2015**

(54) **CURTAIN CONTROLLER**

(71) Applicant: **Uni-Soleil Ent. Co. Ltd.**, Tainan (TW)

(72) Inventor: **Yu-Ting Kao**, Tainan (TW)

(73) Assignee: **Uni-Soleil Ent. Co., Ltd.**, Tainan (TW)

(\*\*) Term: **14 Years**

(21) Appl. No.: **29/470,227**

(22) Filed: **Oct. 18, 2013**

(51) **LOC (10) Cl.** ..... **06-10**

(52) **U.S. Cl.**  
USPC ..... **D6/580**

(58) **Field of Classification Search**  
USPC ..... D6/575, 576, 577, 578, 579, 580, 581;  
D8/330, 349, 352, 353, 368, 369, 376,  
D8/381; 160/84.01, 84.02, 84.03, 84.04,  
160/84.05, 84.06, 84.07, 84.08, 107, 108,  
160/111, 321

See application file for complete search history.

(56) **References Cited**

**U.S. PATENT DOCUMENTS**

5,482,105	A *	1/1996	Rude	160/307
6,173,825	B1 *	1/2001	Liu	192/223.4
6,817,402	B1 *	11/2004	Fraczek et al.	160/323.1
D596,435	S *	7/2009	Wills	D6/581
D617,597	S *	6/2010	Di Stefano	D6/580
D617,599	S *	6/2010	Di Stefano	D6/580
D618,027	S *	6/2010	Di Stefano	D6/580
D618,028	S *	6/2010	Di Stefano	D6/580
D628,843	S *	12/2010	Di Stefano	D6/580
D634,573	S *	3/2011	Risher	D6/580
D658,418	S *	5/2012	Ng	D6/580

D675,050	S *	1/2013	Garcia	D6/581
D690,961	S *	10/2013	Chou	D6/580
D694,039	S *	11/2013	Licciardi Di Stefano	D6/580
D694,040	S *	11/2013	Di Stefano	D6/580
D695,041	S *	12/2013	Licciardi Di Stefano	D6/580
D695,042	S *	12/2013	Licciardi Di Stefano	D6/580
D699,051	S *	2/2014	Wills	D6/580
D710,128	S *	8/2014	Garcia	D6/581
2006/0118248	A1 *	6/2006	Anderson et al.	160/84.04
2011/0100568	A1 *	5/2011	Kao	160/309
2011/0132556	A1 *	6/2011	Kao	160/368.1
2014/0041815	A1 *	2/2014	Kao	160/319
2014/0084100	A1 *	3/2014	Kao	242/389

\* cited by examiner

*Primary Examiner* — Karen S Acker

*Assistant Examiner* — Wendy Arminio

(74) *Attorney, Agent, or Firm* — Rosenberg, Klein & Lee

(57) **CLAIM**

The ornamental design for a curtain controller, as shown and described.

**DESCRIPTION**

FIG. 1 is a perspective view of a curtain controller my new design;

FIG. 2 is a front elevational view thereof;

FIG. 3 is a rear elevational view thereof;

FIG. 4 is a left side elevational view thereof;

FIG. 5 is a right side elevational view thereof;

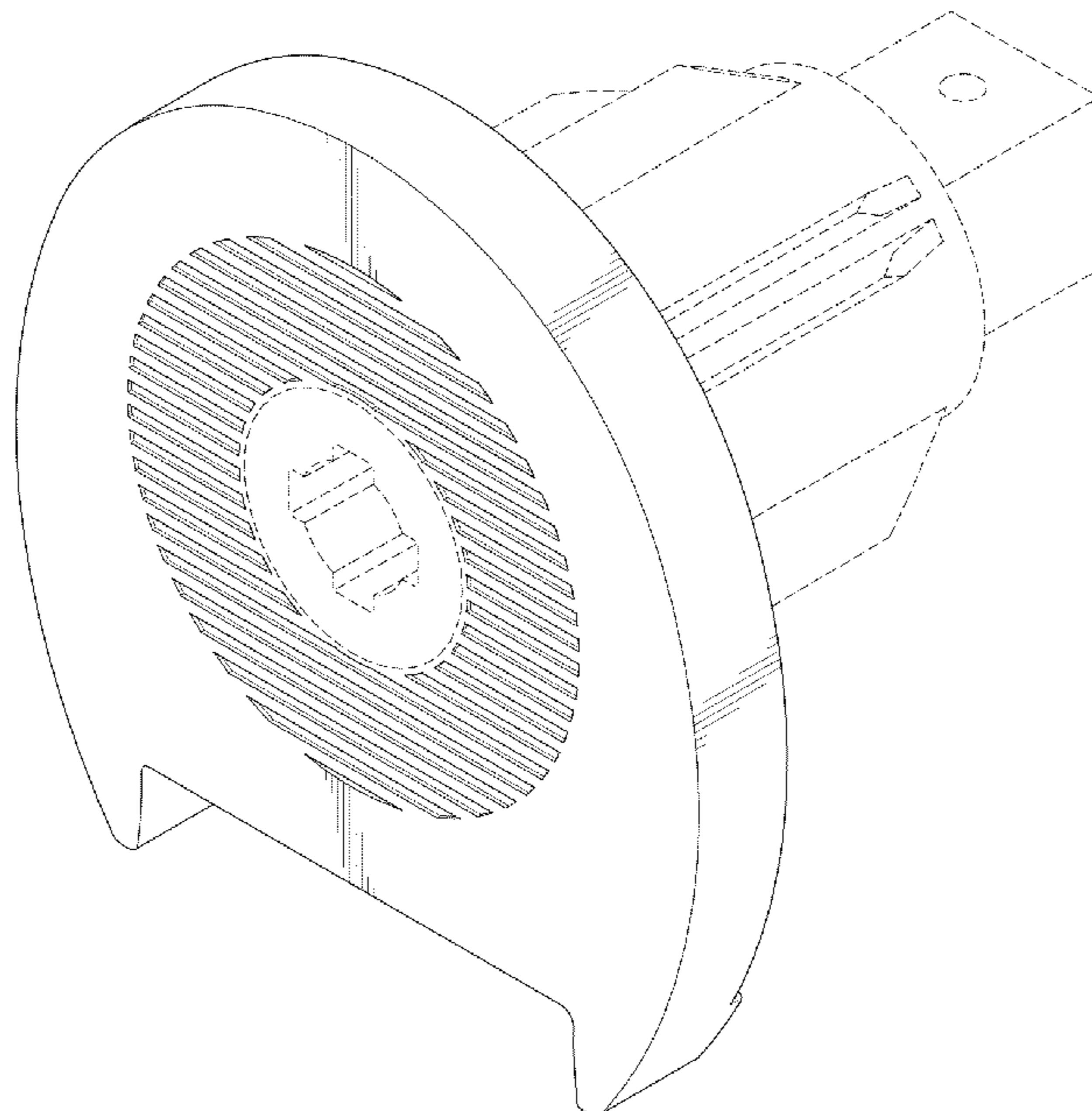
FIG. 6 is a top plan view thereof;

FIG. 7 is a bottom plan view thereof; and,

FIG. 8 is a rear perspective view of the curtain controller showing my new design.

The broken lines represent portions of the curtain controller that form no part of the claimed design.

**1 Claim, 8 Drawing Sheets**



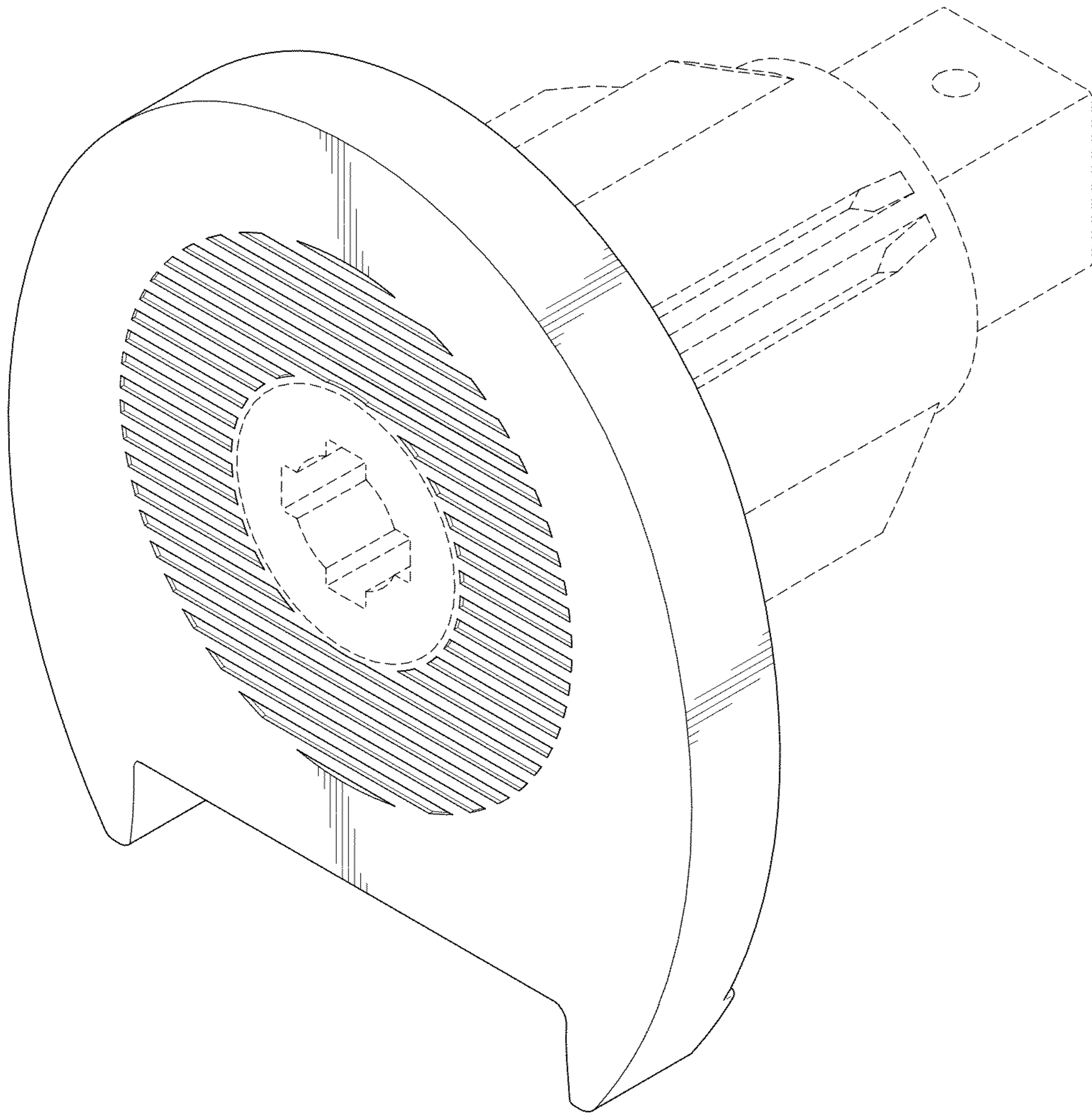


FIG. 1

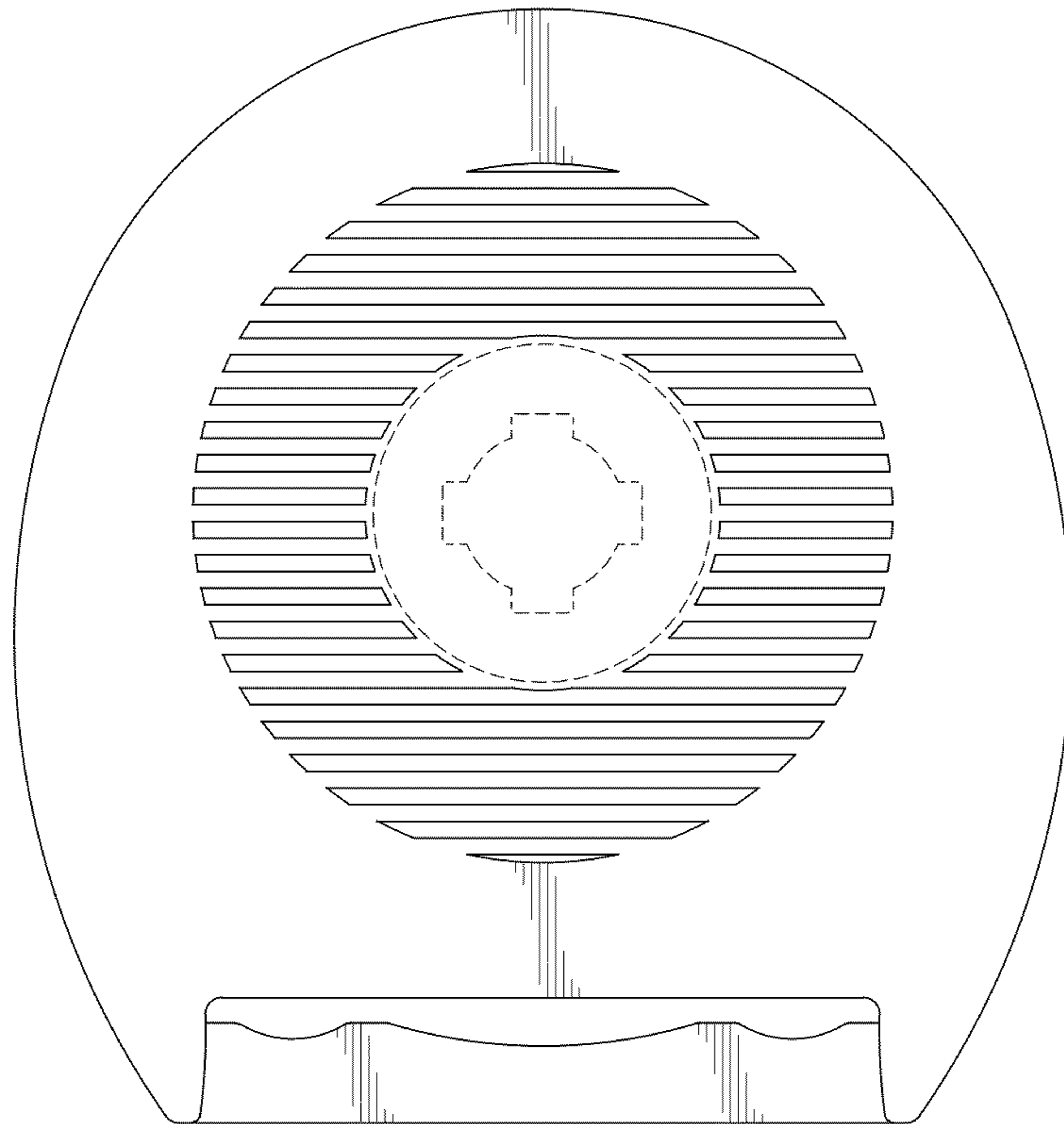


FIG. 2

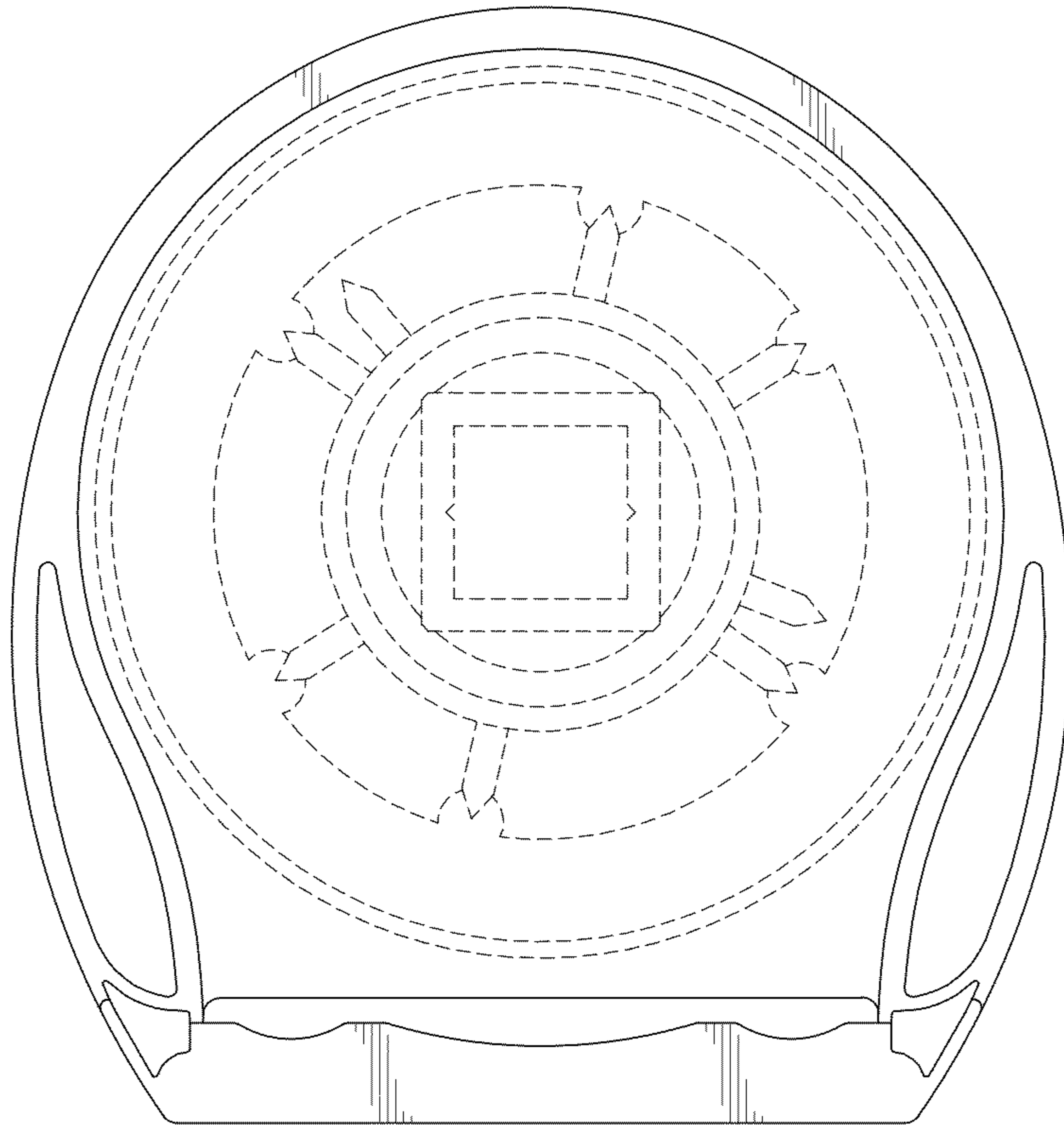


FIG. 3

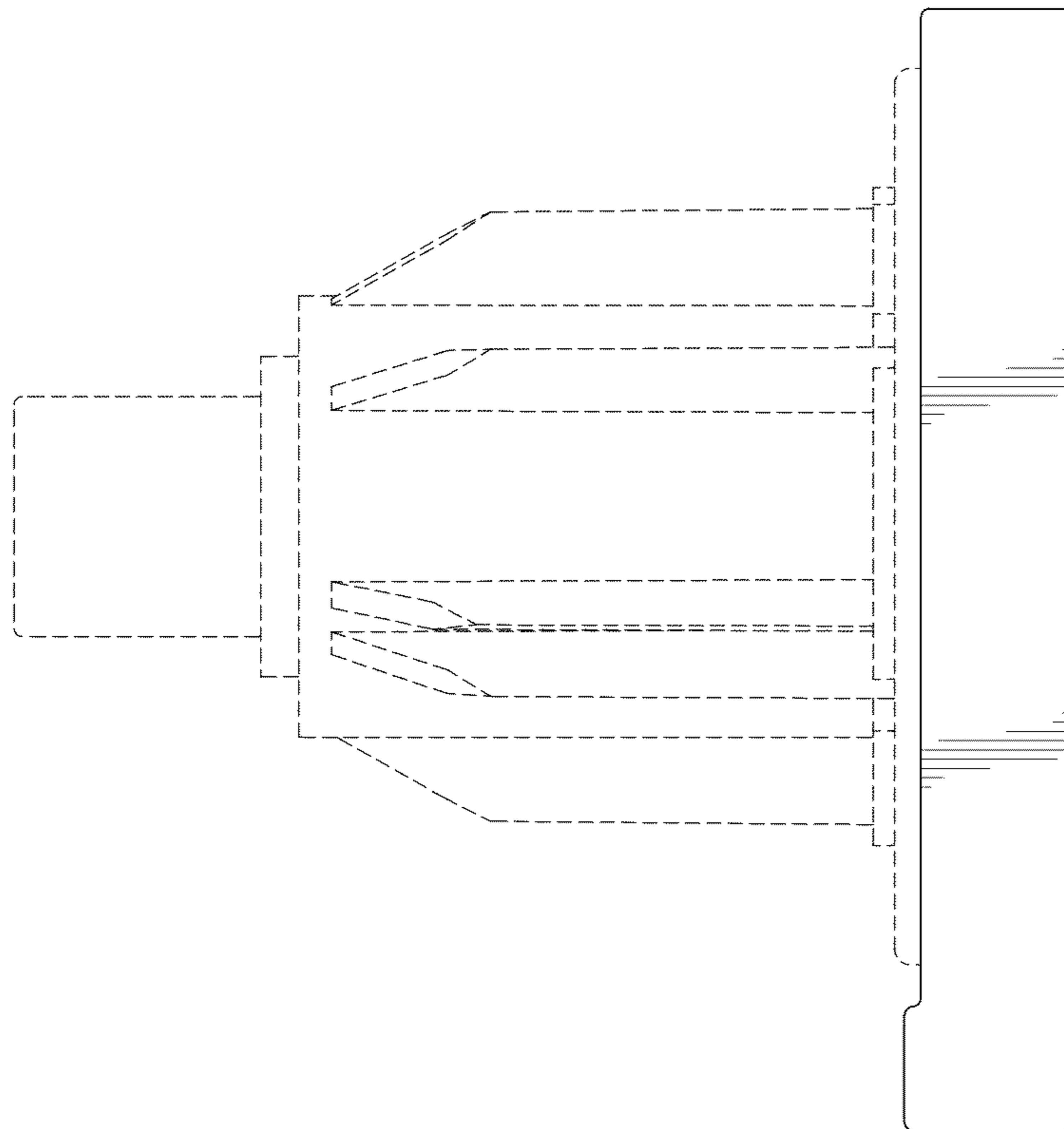


FIG. 4



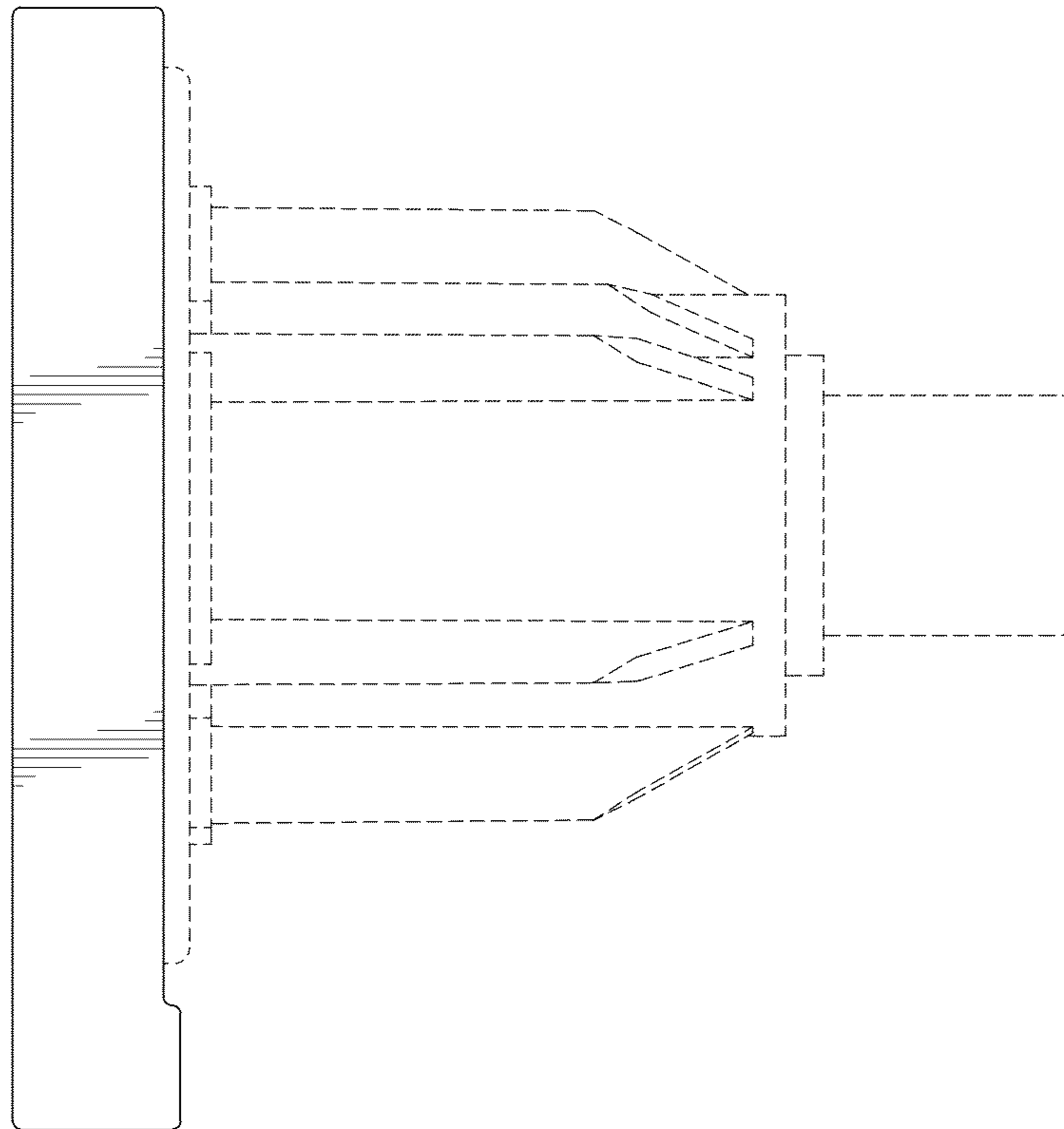


FIG. 5

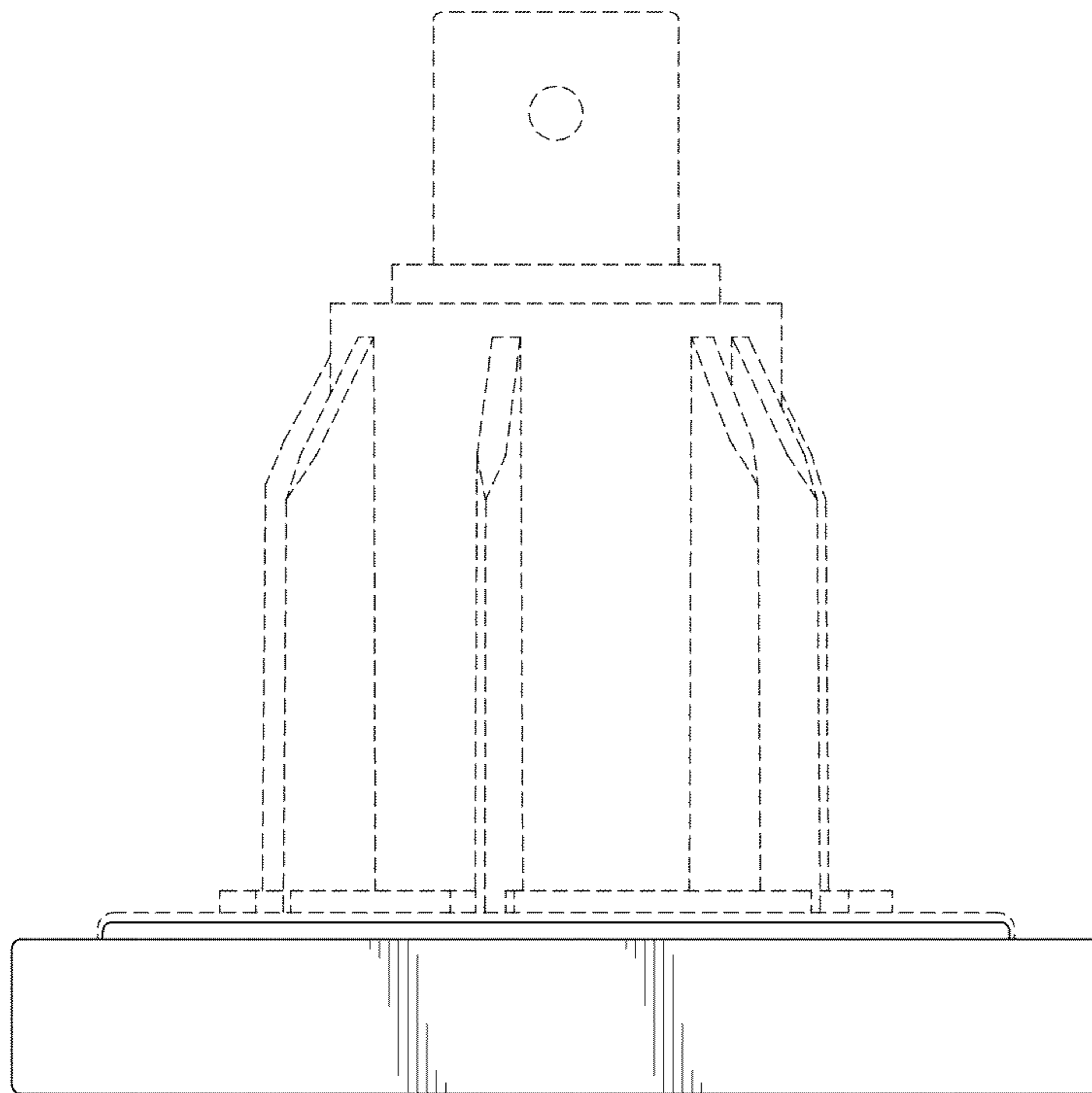


FIG. 6

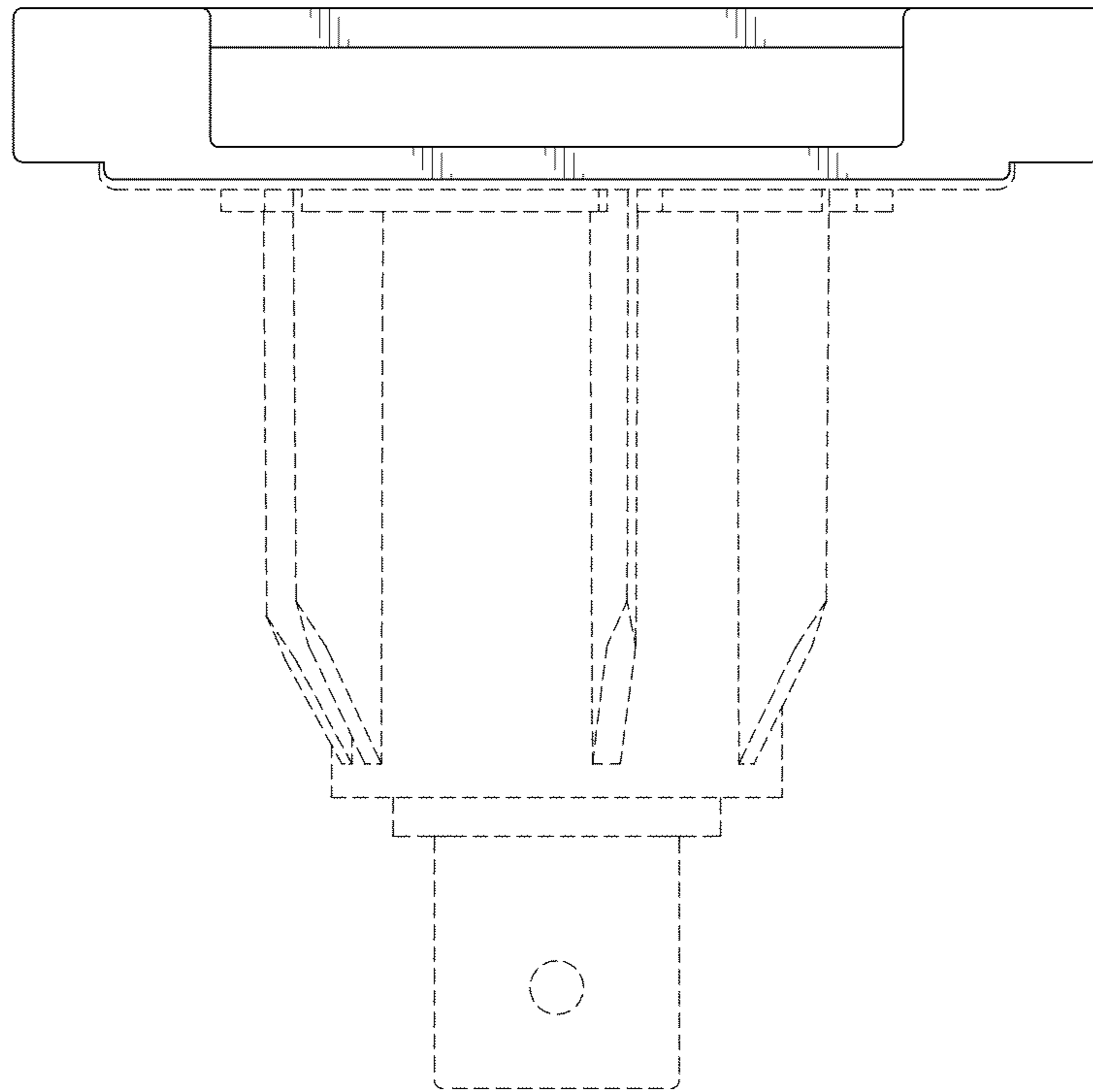


FIG. 7



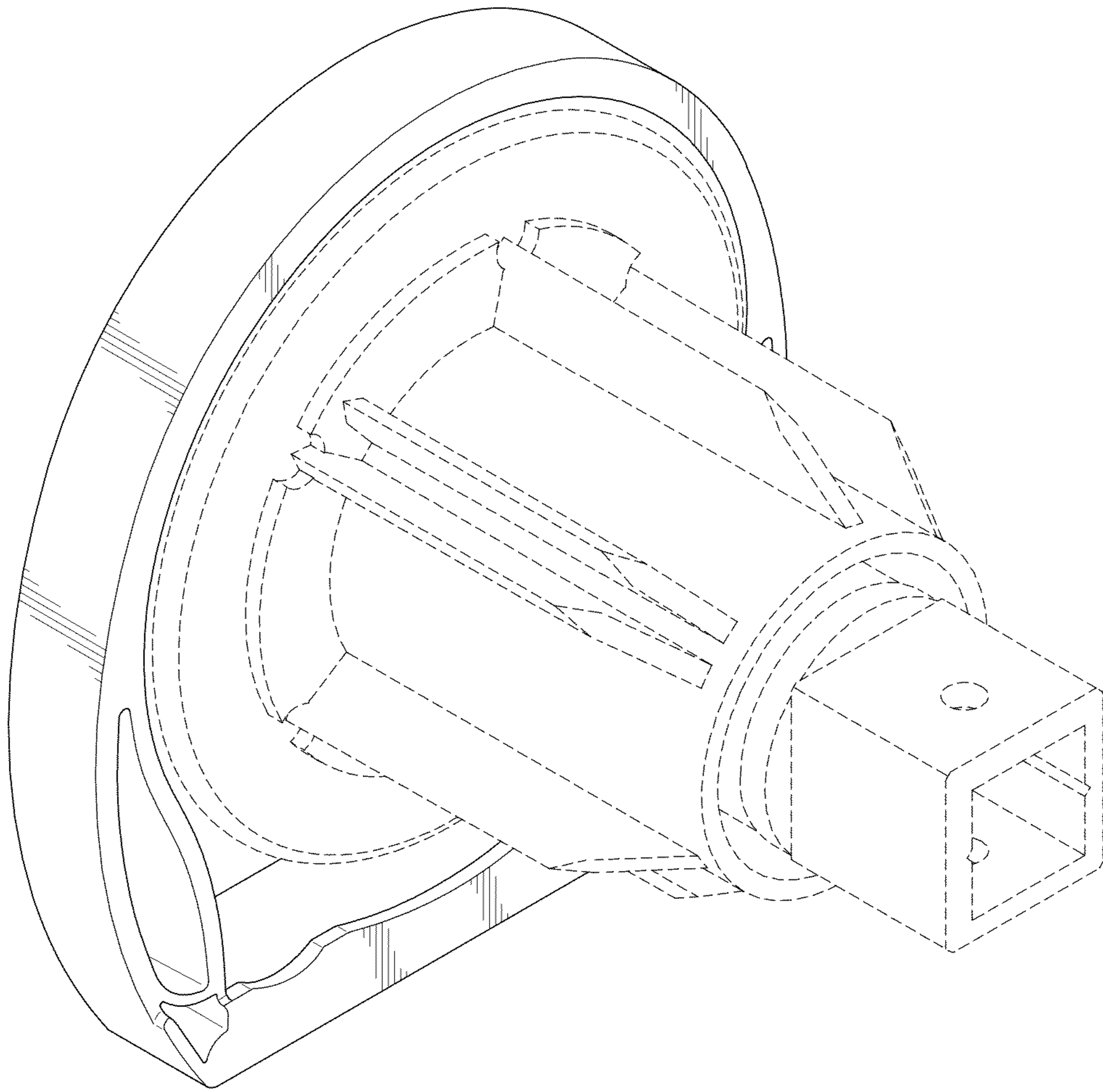


FIG. 8