



US00D727658S

(12) **United States Design Patent**  
**Brovold**

(10) **Patent No.:** **US D727,658 S**

(45) **Date of Patent:** **\*\* Apr. 28, 2015**

(54) **SHELF SUPPORTED BY RIGHT ANGLE TRIANGULAR WALLS**

(71) Applicant: **Shawn Brovold**, Fishers, IN (US)

(72) Inventor: **Shawn Brovold**, Fishers, IN (US)

(\*\*) Term: **14 Years**

(21) Appl. No.: **29/479,233**

(22) Filed: **Jan. 14, 2014**

(51) **LOC (10) Cl.** ..... **06-04**

(52) **U.S. Cl.**  
USPC ..... **D6/574**

(58) **Field of Classification Search**  
USPC ..... D6/518-524, 548-550, 574, 707.22;  
D8/300, 303, 315-321, 349, 354, 363,  
D8/373, 380; 108/28-29; 211/13.1, 16,  
211/60.1, 100, 86.01, 87.01, 88.01, 88.04,  
211/105.1-105.2, 123, 182, 181.1;  
248/176, 176.1, 251, 302, 309.1;  
16/110.1, 412, 415; 242/570, 590,  
242/595-598

See application file for complete search history.

(56) **References Cited**

**U.S. PATENT DOCUMENTS**

D168,455 S \* 12/1952 Johnson ..... D6/574  
D314,115 S \* 1/1991 Murphy ..... D6/574  
D594,261 S \* 6/2009 Maxwell ..... D6/574

D598,228 S \* 8/2009 West ..... D6/574  
D604,981 S \* 12/2009 Frank et al. .... D6/574  
D673,798 S \* 1/2013 Rushlow ..... D6/574  
D678,699 S \* 3/2013 Stravitz ..... D6/574  
D718,556 S \* 12/2014 Kreuzer ..... D6/574

\* cited by examiner

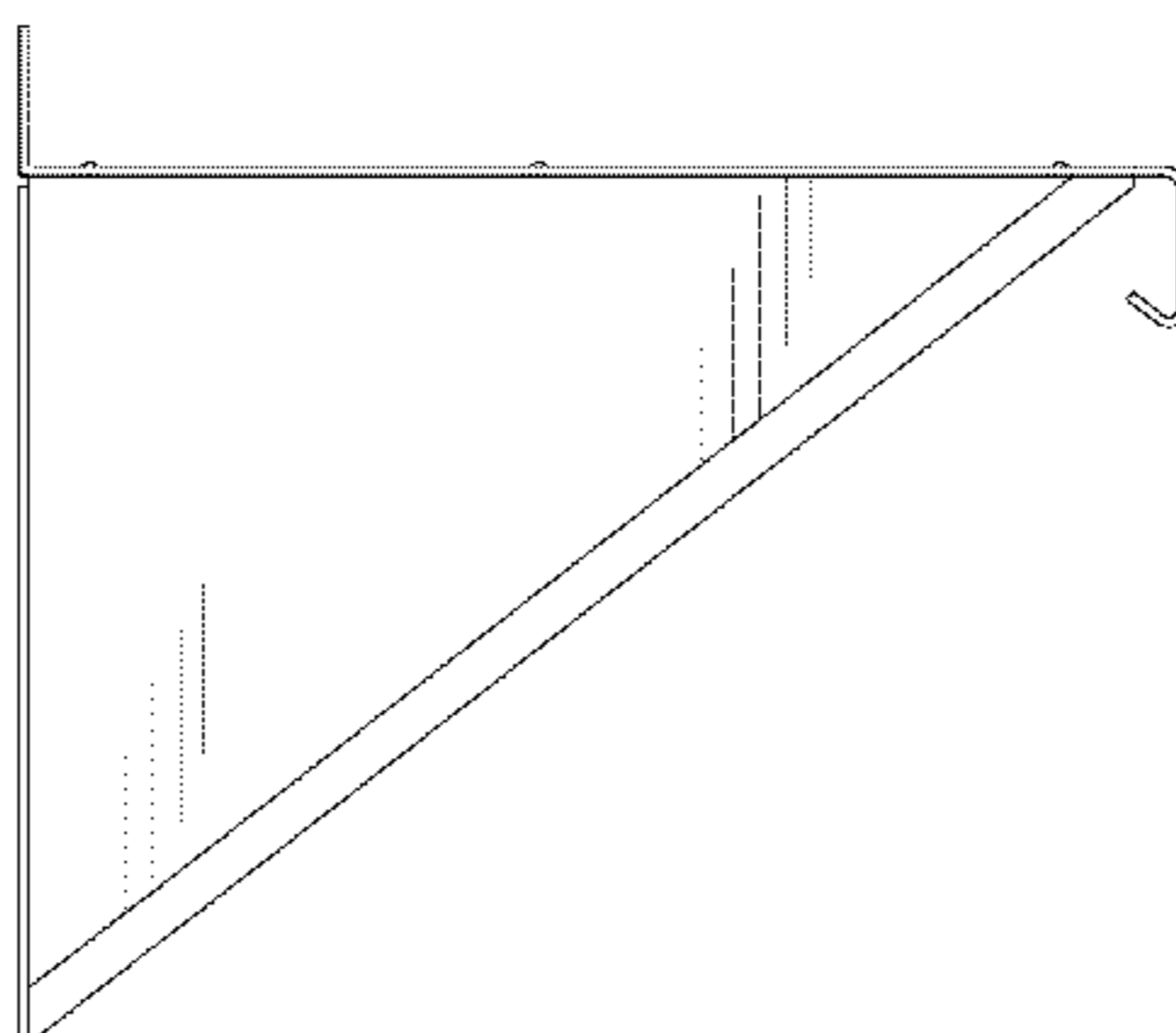
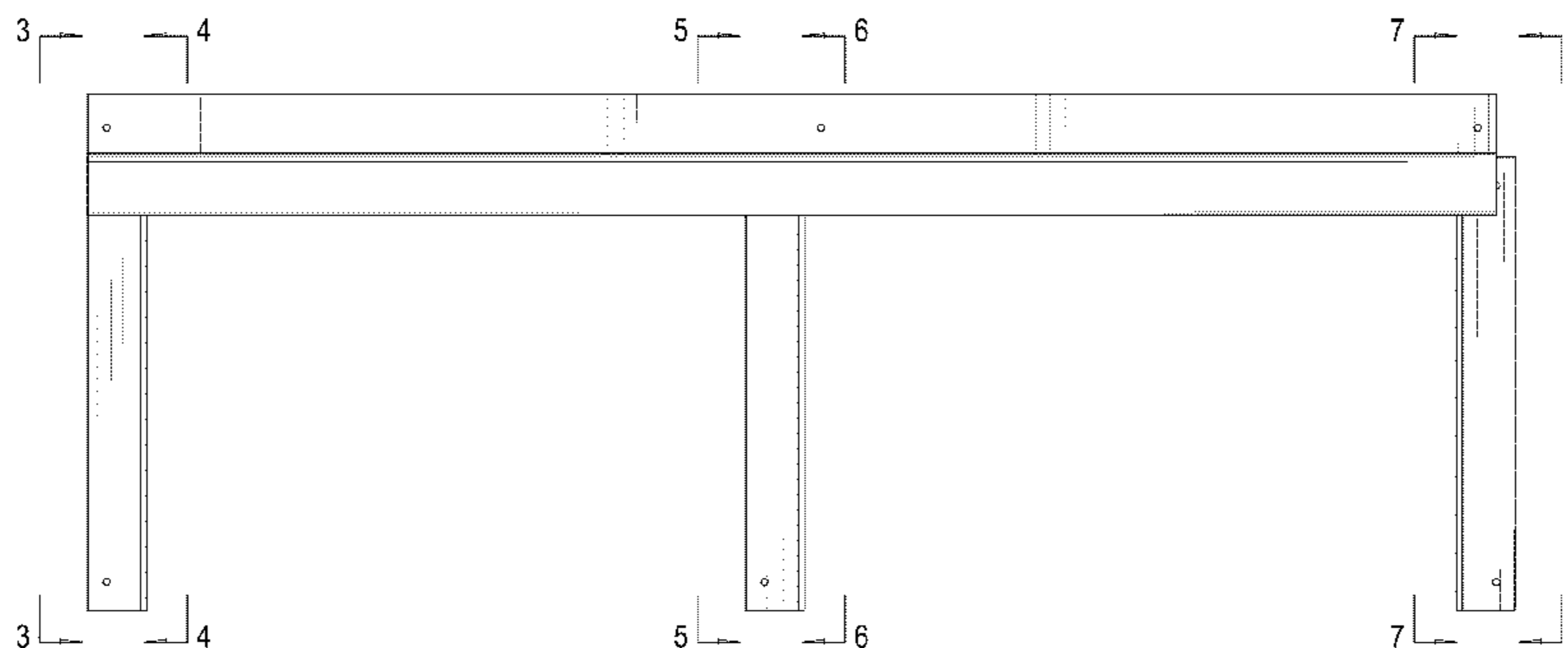
*Primary Examiner* — Brian N Vinson  
(74) *Attorney, Agent, or Firm* — Woodard, Emhardt,  
Moriarty, McNett & Henry LLP

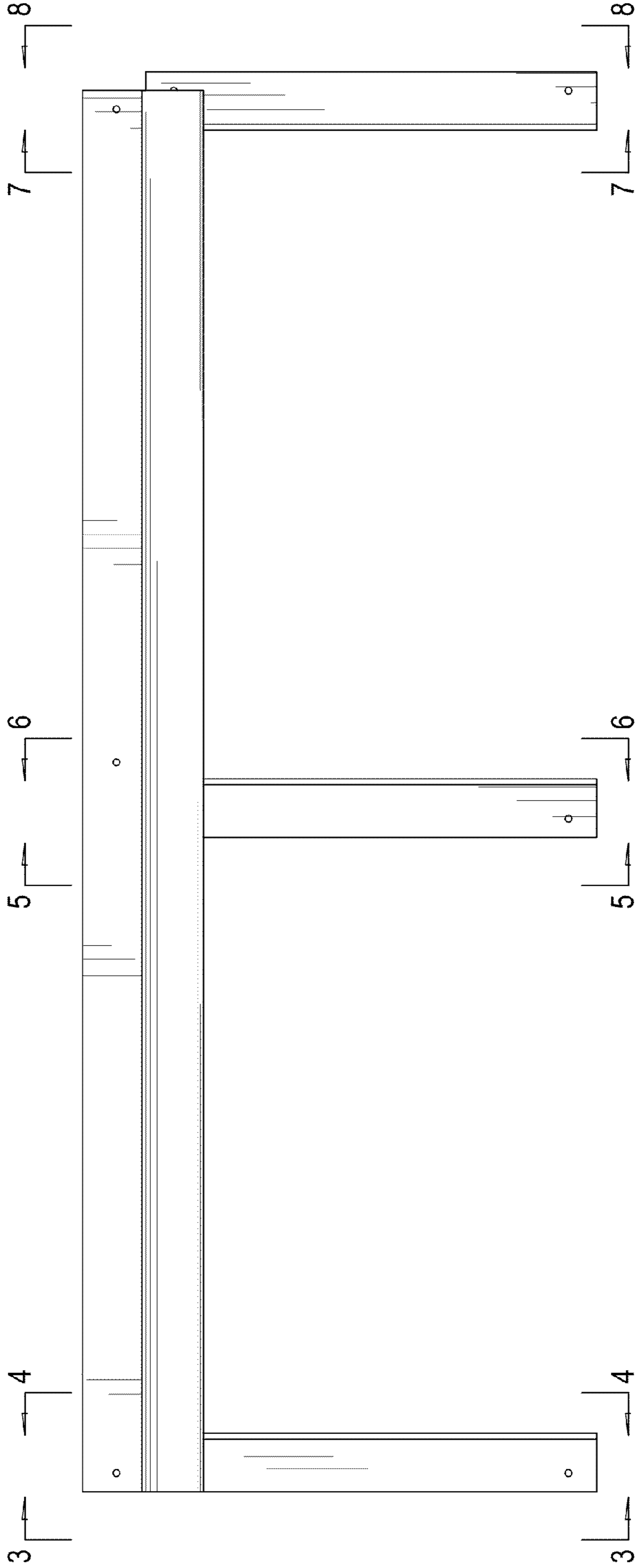
(57) **CLAIM**  
The ornamental design for a shelf supported by right angle triangular walls, as shown and described.

**DESCRIPTION**

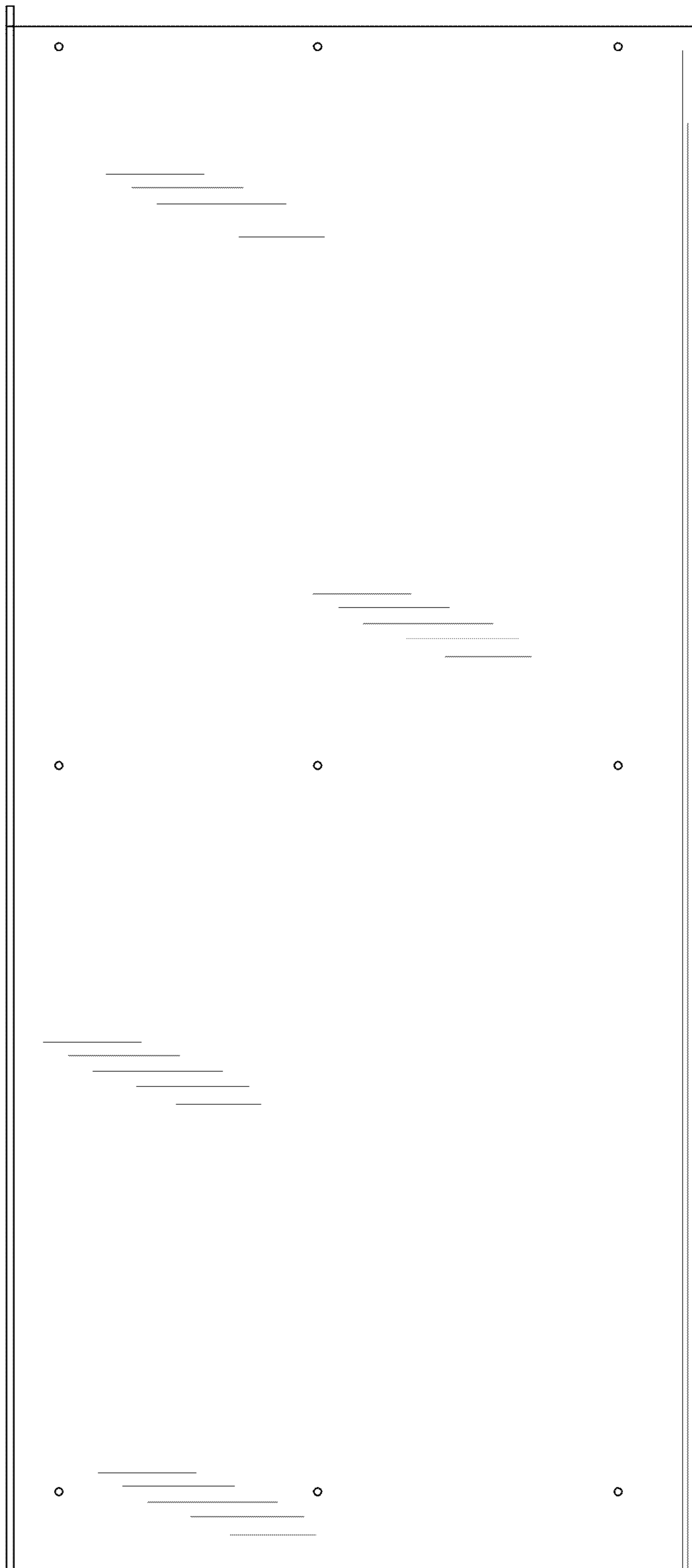
FIG. 1 is a front view of the shelf incorporating my new design;  
FIG. 2 is a top view thereof;  
FIG. 3 is a left end view thereof;  
FIG. 4 is a cross-sectional view taken along the line and viewed in the direction of arrows 4-4 thereof;  
FIG. 5 is a cross-sectional view taken along the line and viewed in the direction of arrows 5-5 thereof;  
FIG. 6 is a cross-sectional view taken along the line and viewed in the direction of arrows 6-6 thereof;  
FIG. 7 is a cross-sectional view taken along the line and viewed in the direction of arrows 7-7 thereof;  
FIG. 8 is a right hand end view;  
FIG. 9 is a bottom view; and,  
FIG. 10 is a rear view.

**1 Claim, 7 Drawing Sheets**

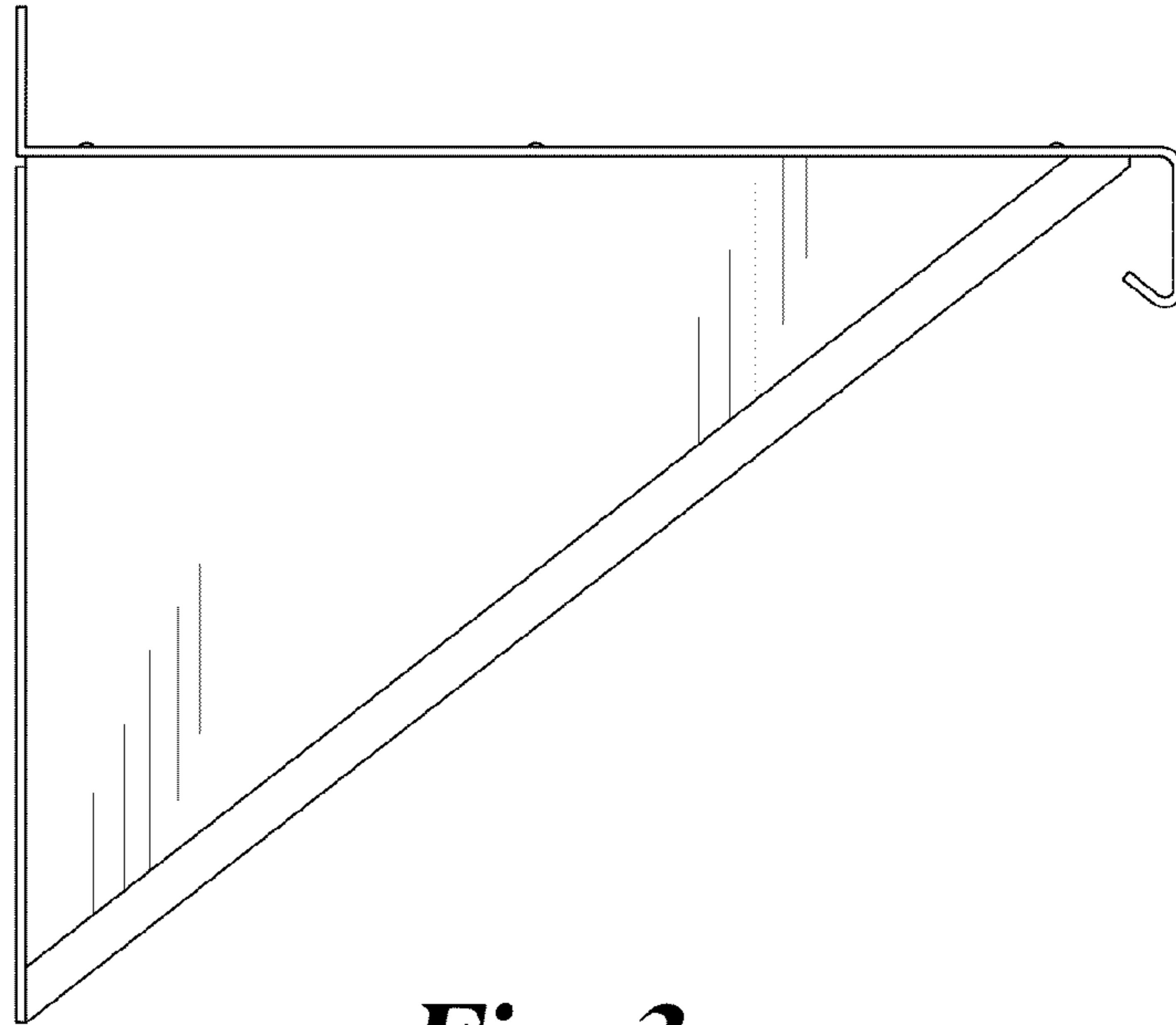




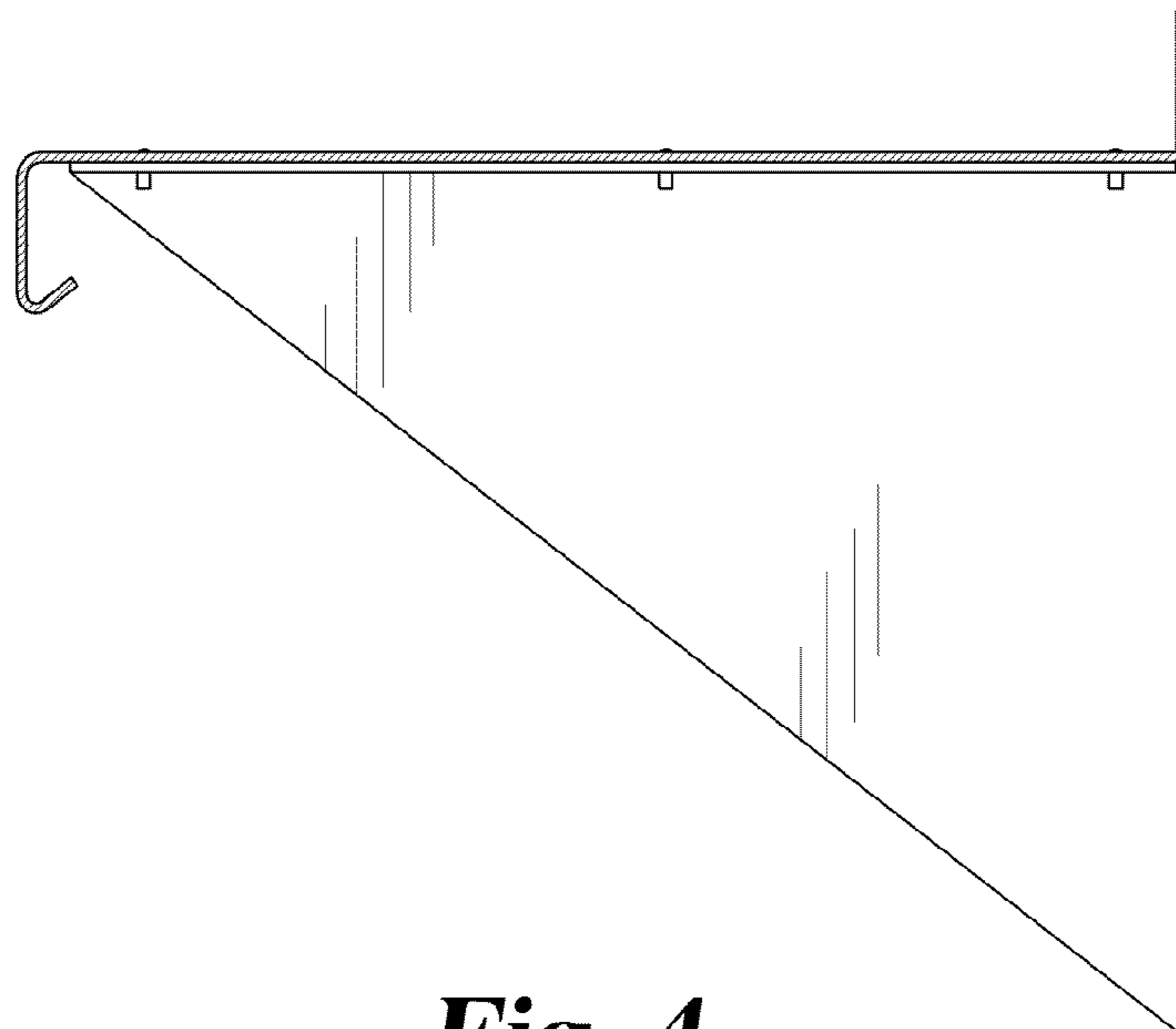
**Fig. 1**



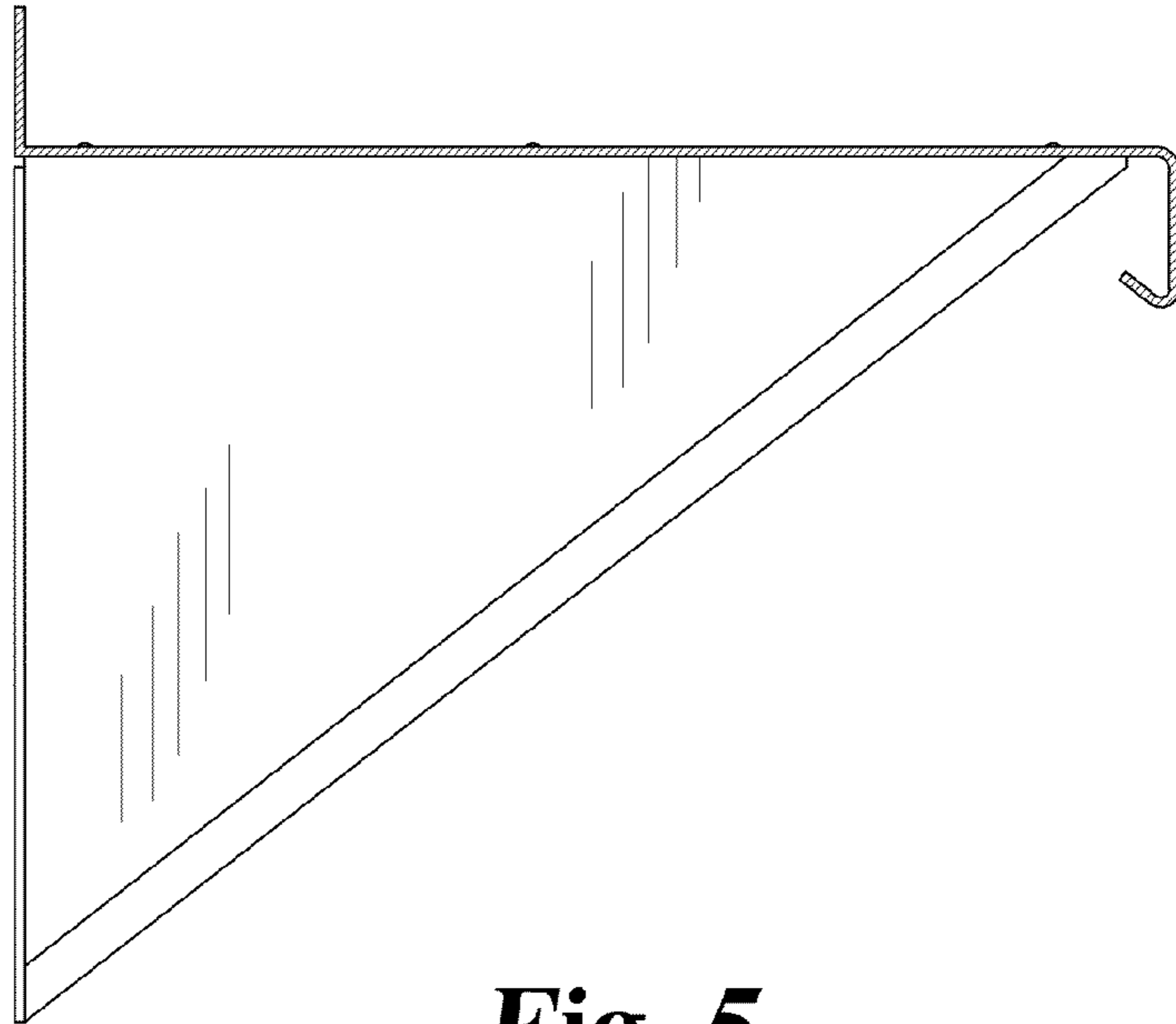
**Fig. 2**



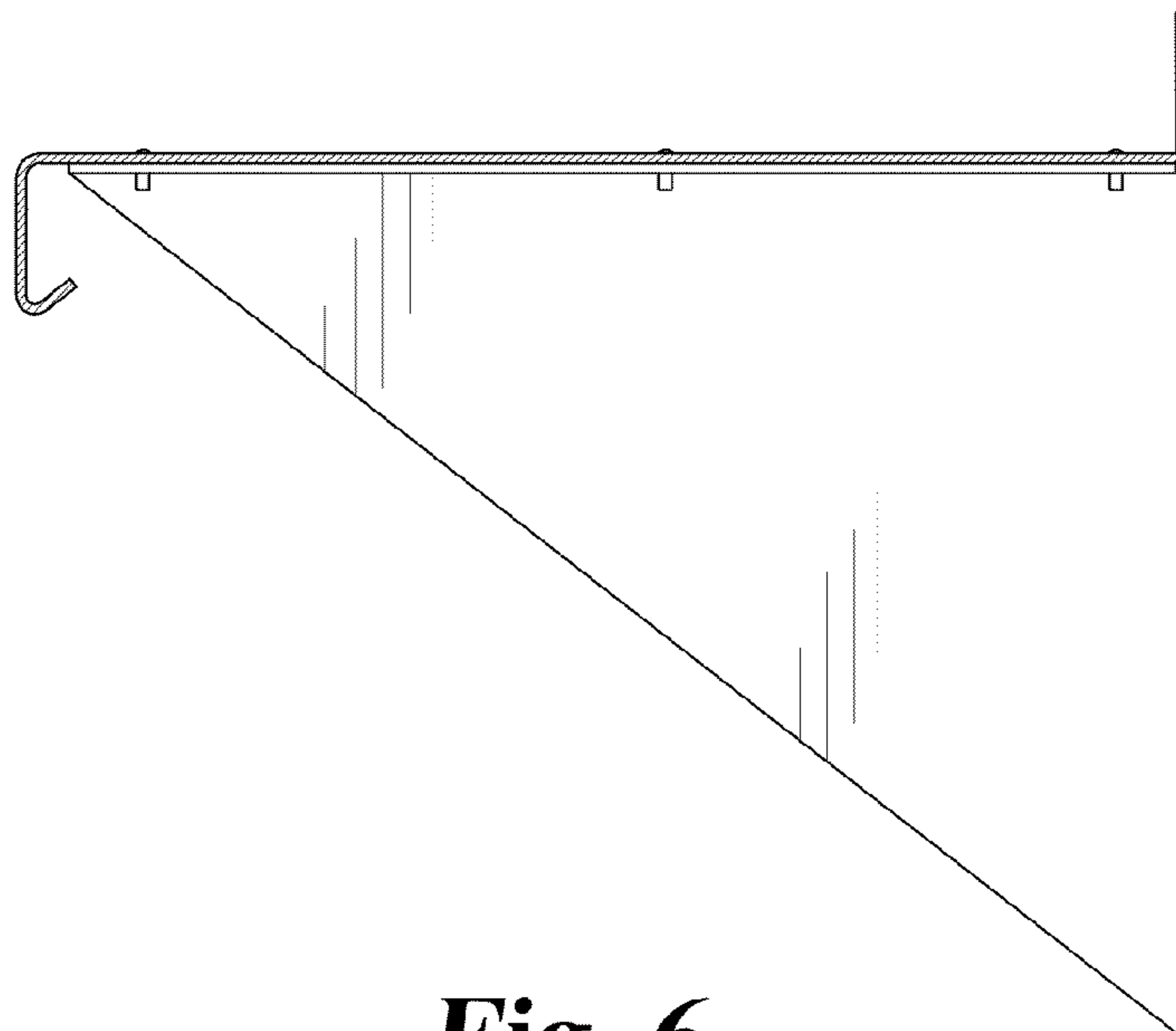
**Fig. 3**



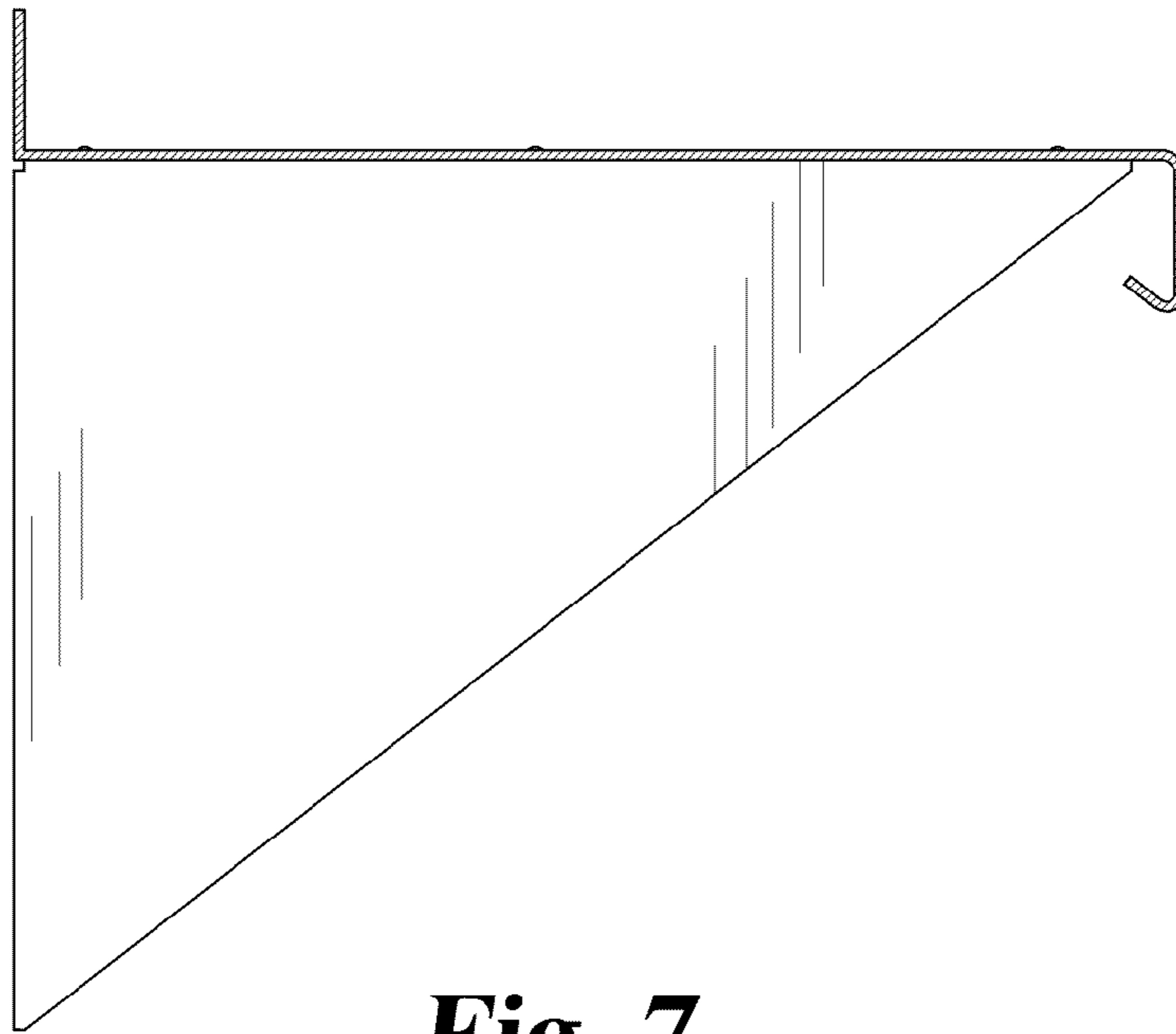
**Fig. 4**



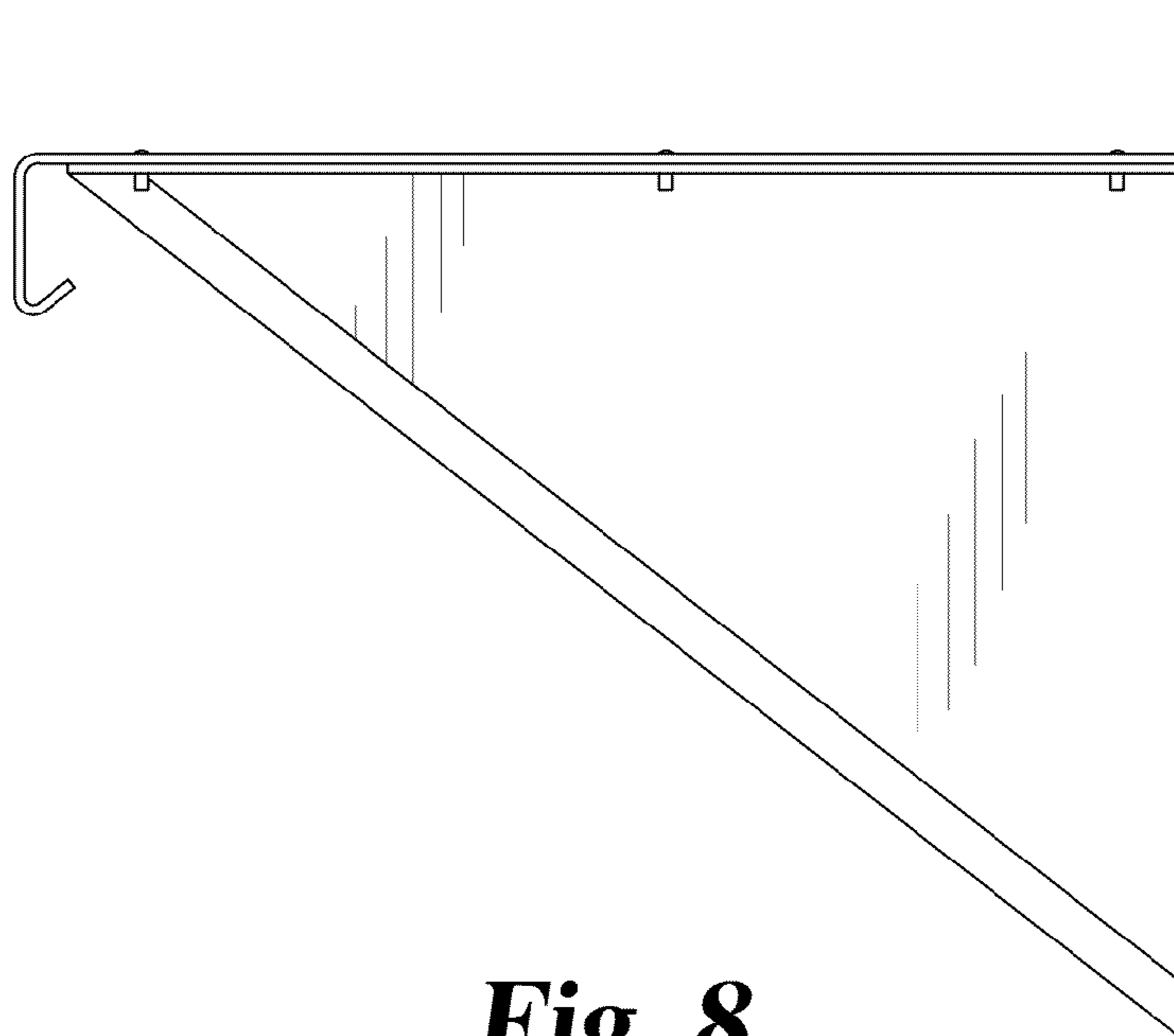
**Fig. 5**



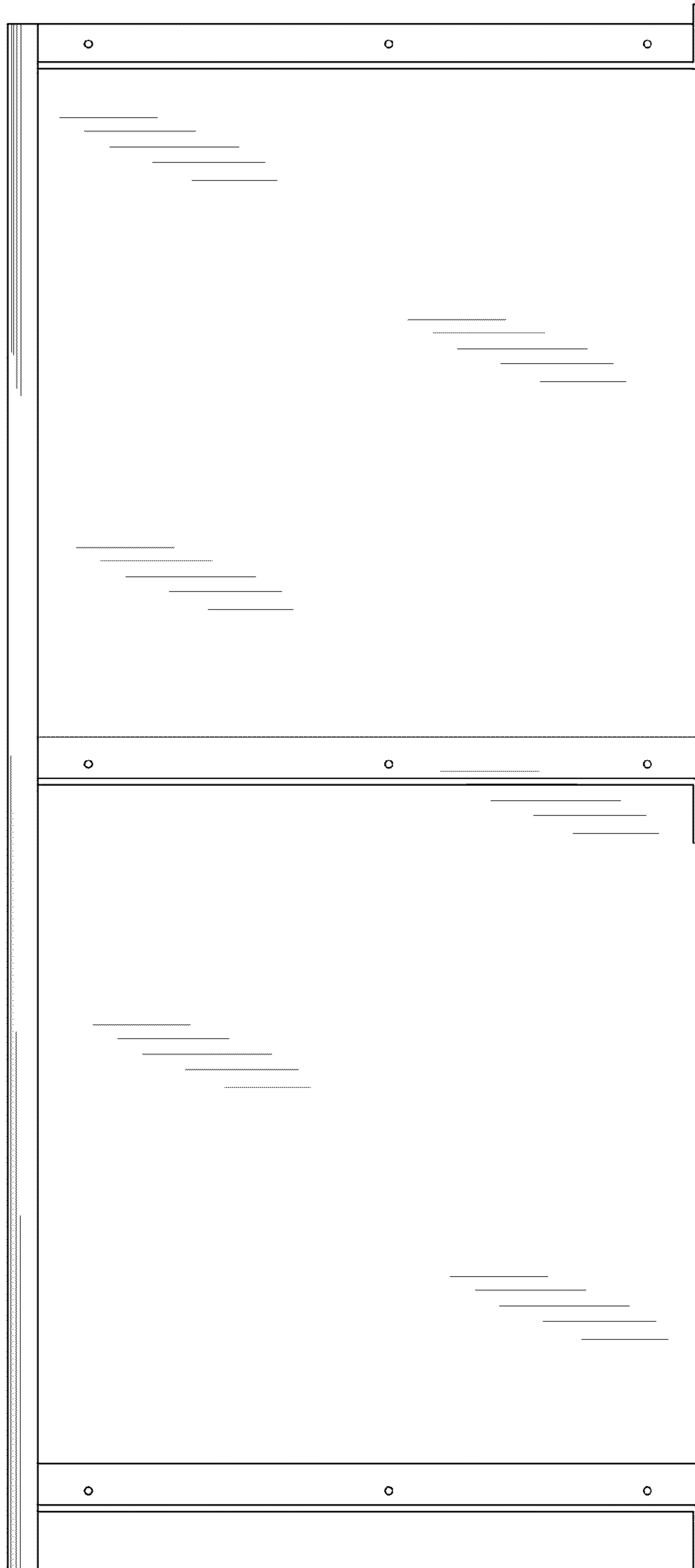
**Fig. 6**



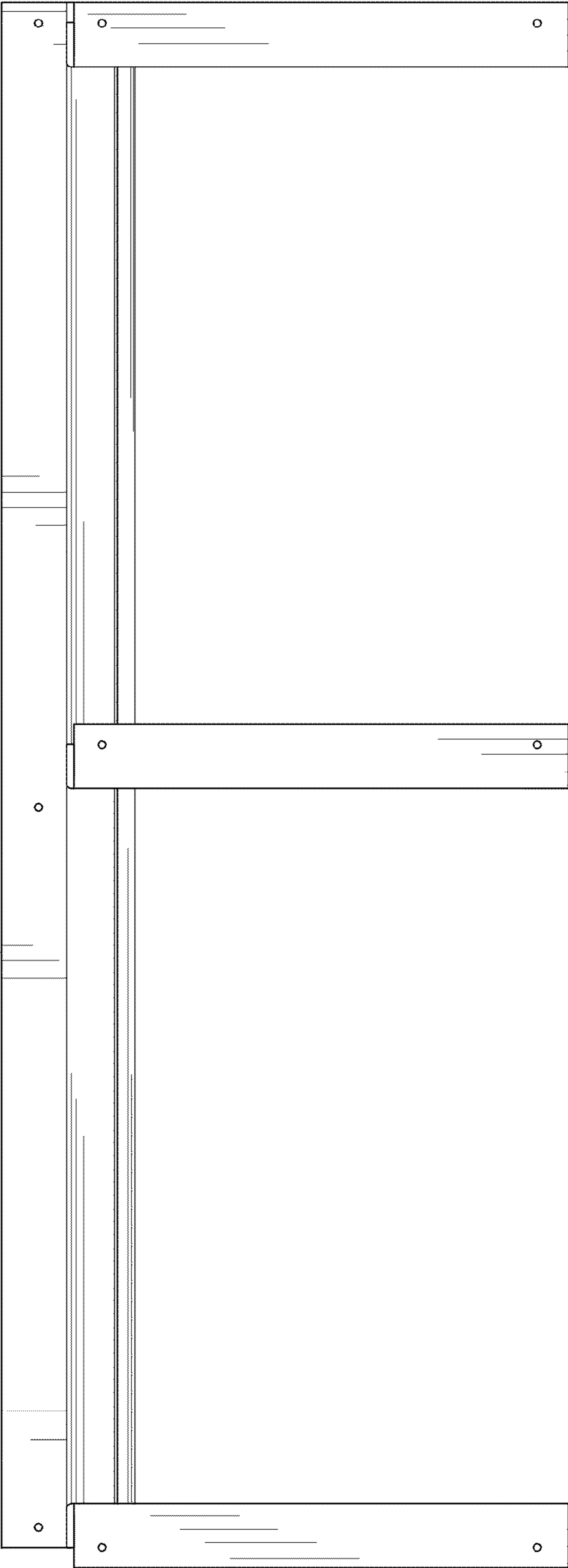
**Fig. 7**



**Fig. 8**



**Fig. 9**



**Fig. 10**