



US00D727657S

(12) **United States Design Patent**
Lim

(10) **Patent No.:** **US D727,657 S**
(45) **Date of Patent:** **** Apr. 28, 2015**

(54) **HOLDER**

(71) Applicant: **Linda Lim**, San Francisco, CA (US)

(72) Inventor: **Linda Lim**, San Francisco, CA (US)

(73) Assignee: **Blasony Inc.**

(**) Term: **14 Years**

(21) Appl. No.: **29/463,451**

(22) Filed: **Nov. 27, 2013**

Related U.S. Application Data

(63) Continuation-in-part of application No. 29/463,098, filed on Jul. 25, 2013, and a continuation-in-part of application No. 29/463,096, filed on Jul. 25, 2013, and a continuation-in-part of application No. 29/463,097, filed on Jul. 25, 2013.

(51) **LOC (10) Cl.** **06-04**

(52) **U.S. Cl.**
USPC **D6/553; D8/373**

(58) **Field of Classification Search**
USPC D6/542-545, 553, 567, 574, 515-526;
206/77.1; 211/13.1, 86.01, 87.01;
221/14, 92, 649, 146.1, 146.2, 105;
222/281-282; D23/225; D8/349, 354,
D8/363, 373, 394; D24/155; D19/81

See application file for complete search history.

(56) **References Cited**

U.S. PATENT DOCUMENTS

2,252,260	A	*	8/1941	Jones	248/311.2
D191,715	S	*	11/1961	Lugowski	D6/553
D231,947	S	*	6/1974	Weber	D6/553
D300,891	S	*	5/1989	Roland	D6/567
D344,876	S	*	3/1994	Vandergon	D6/567
D354,188	S	*	1/1995	Koehler	D6/553
D362,780	S		10/1995	Hampshire		
5,971,192	A		10/1999	Hampshire		
D452,099	S	*	12/2001	Poitras et al.	D6/545
D483,587	S		12/2003	Snell		
6,886,792	B2		5/2005	Zimmerman		
D620,982	S	*	8/2010	Parshad	D19/81
8,225,946	B2		7/2012	Sandor		
2001/0020621	A1		9/2001	Immerman		

* cited by examiner

Primary Examiner — Brian N Vinson

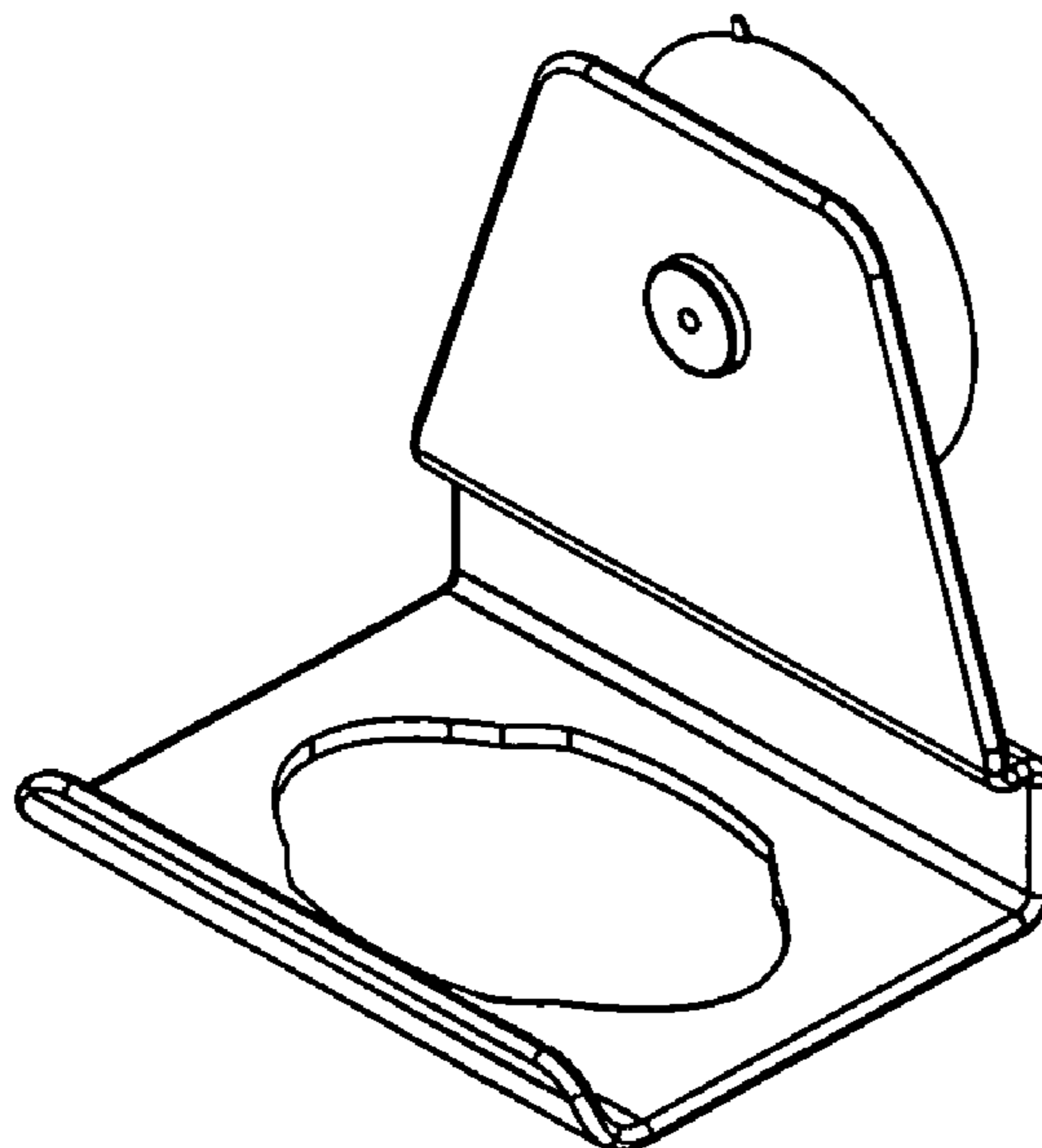
(57) **CLAIM**

The ornamental design for a holder, as shown and described.

DESCRIPTION

FIG. 1 is a front, right side perspective view of a holder showing my new design;
FIG. 2 is a front view thereof;
FIG. 3 is a back view thereof;
FIG. 4 is a right side view thereof;
FIG. 5 is a left side view thereof;
FIG. 6 is a top plan view thereof;
FIG. 7 is a bottom plan view thereof; and,
FIG. 8 is an exploded front and right side perspective view thereof.

1 Claim, 4 Drawing Sheets



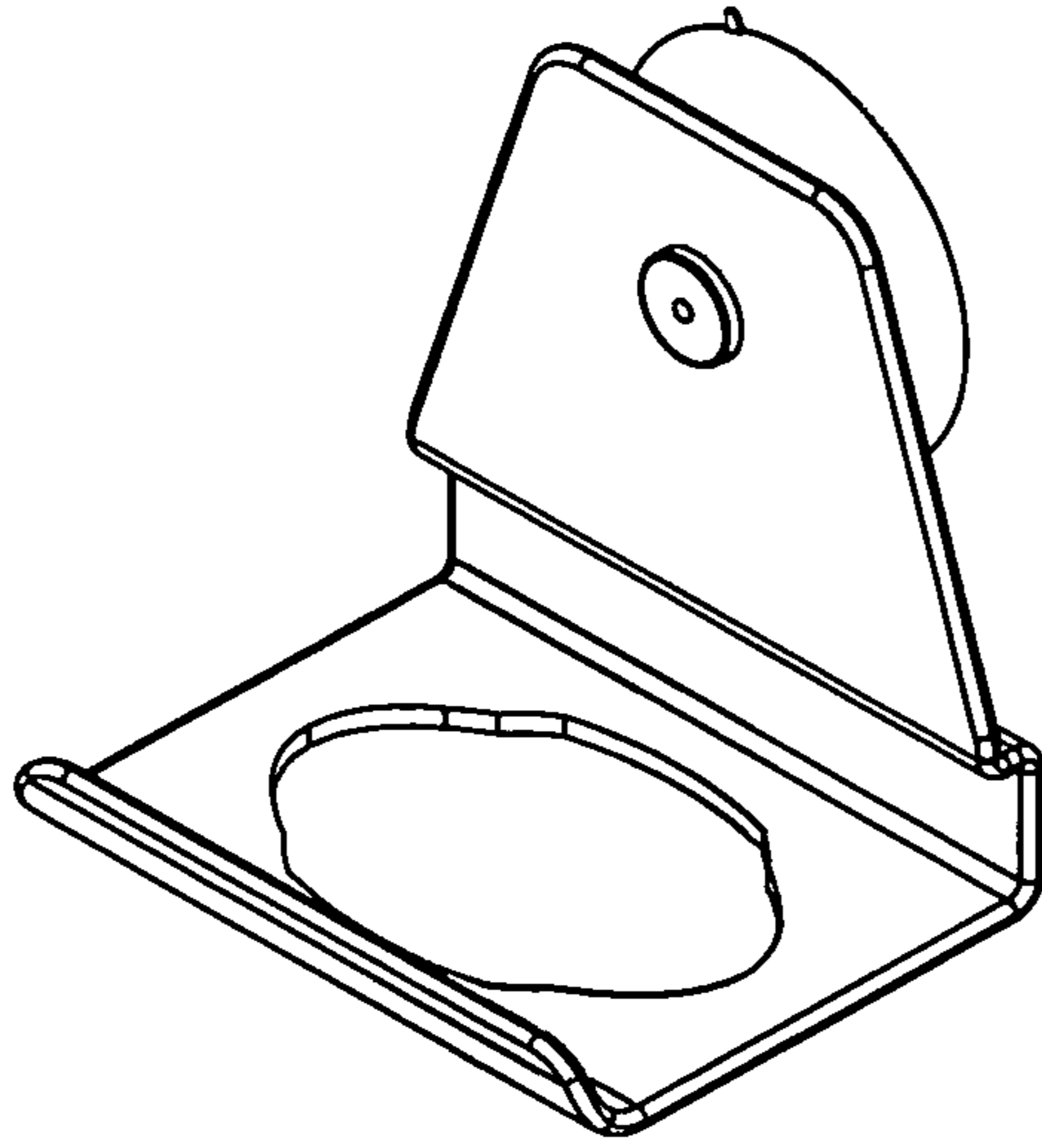


Fig 1

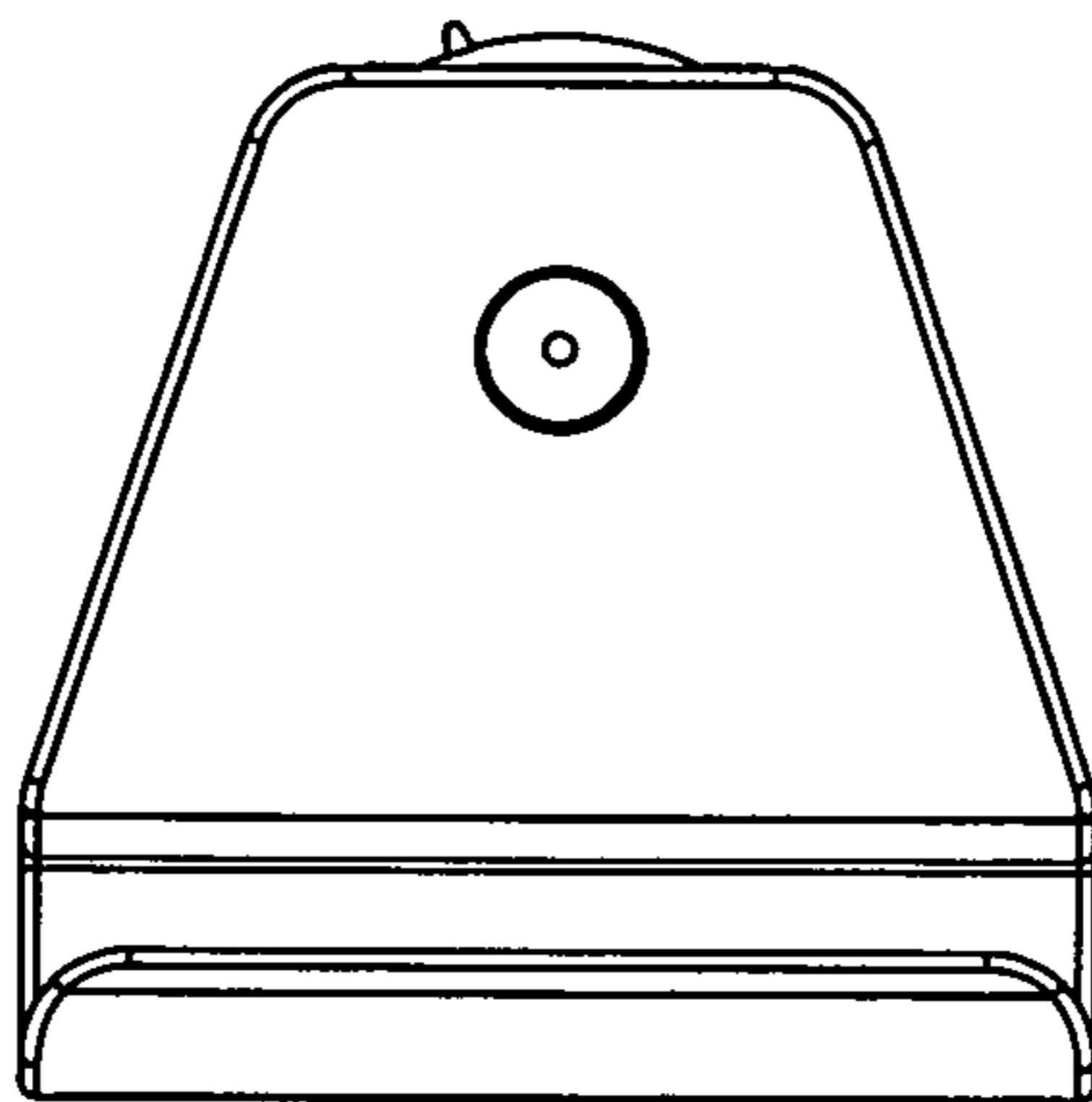


Fig 2

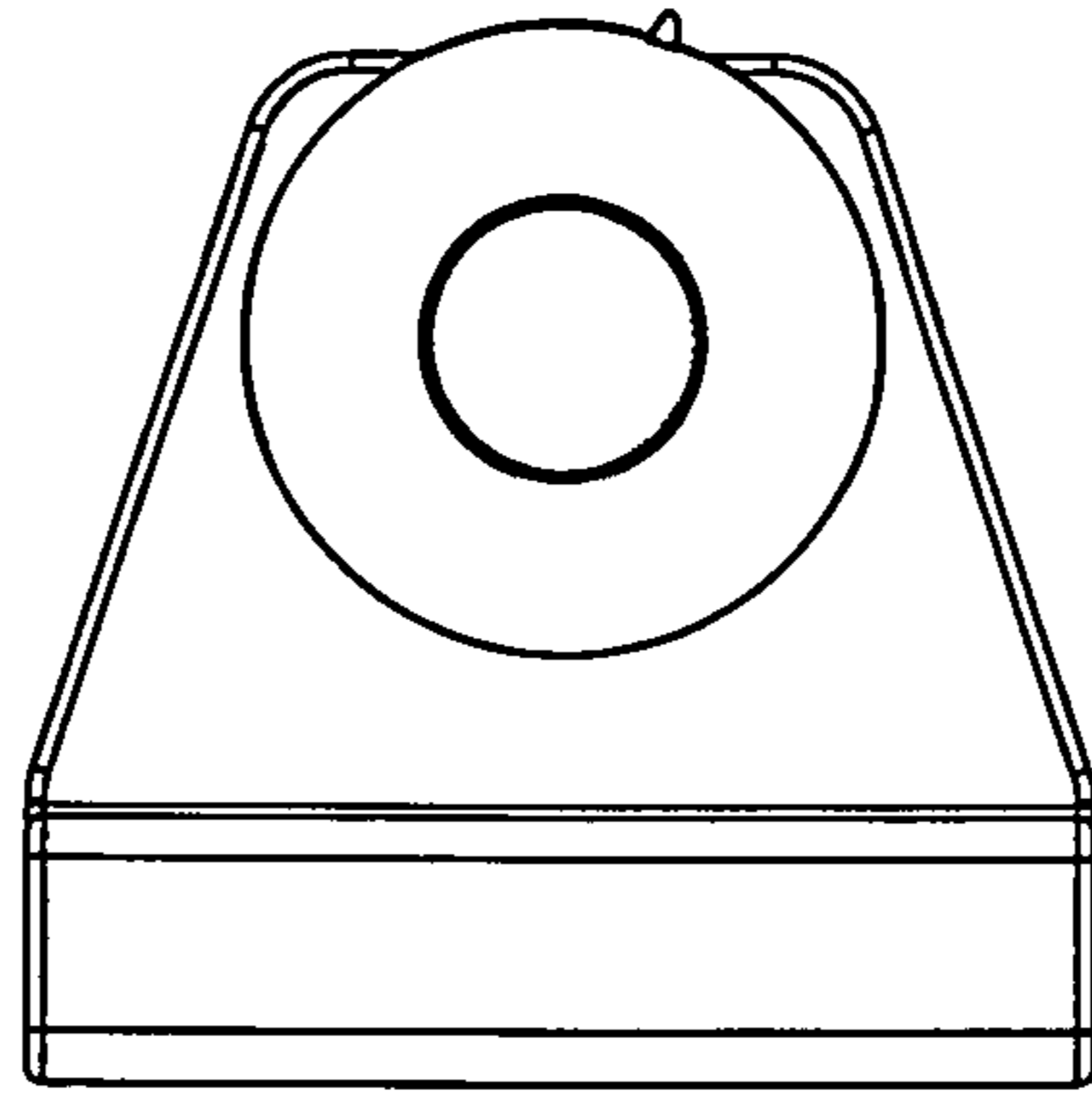


Fig 3

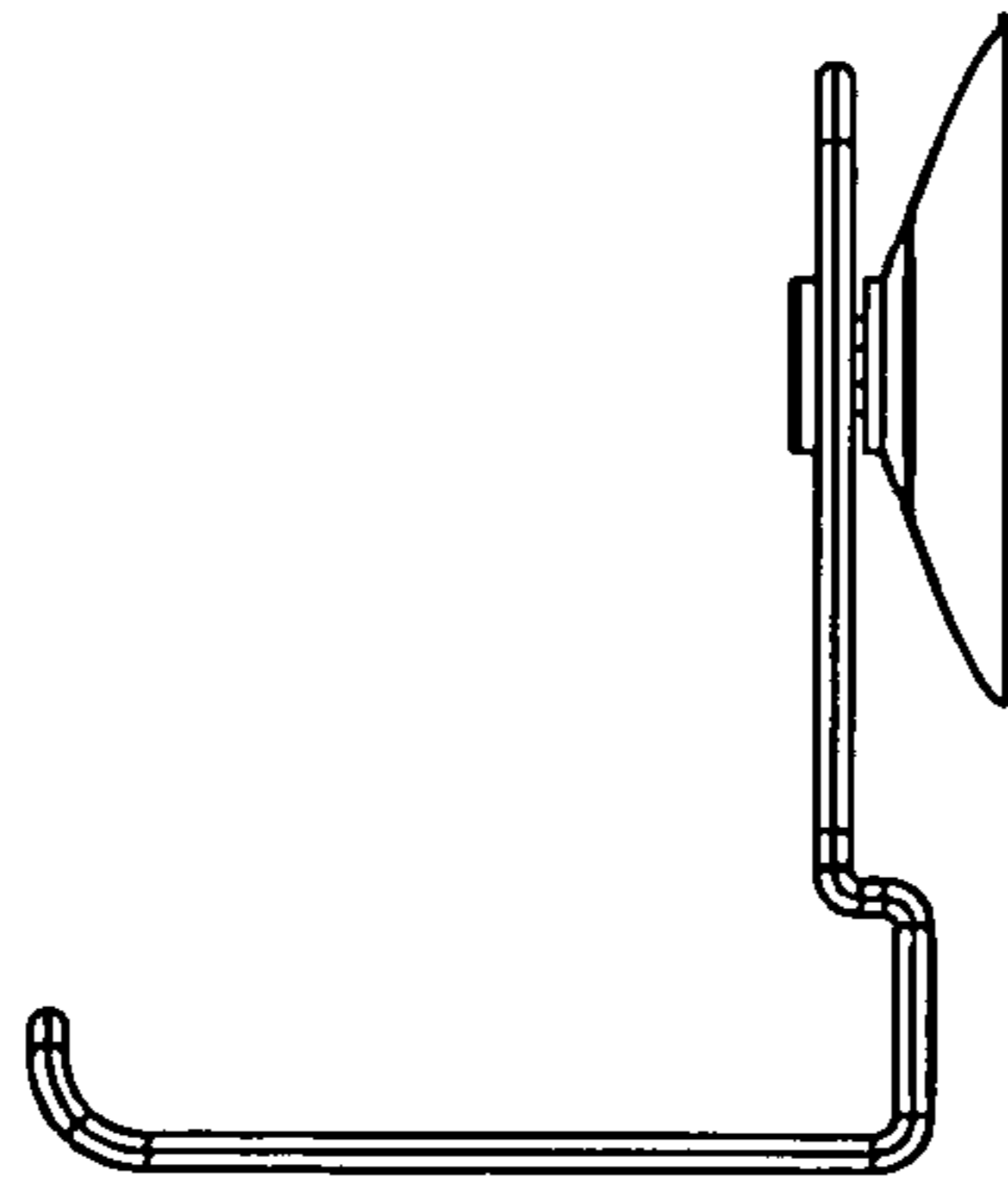


Fig 4

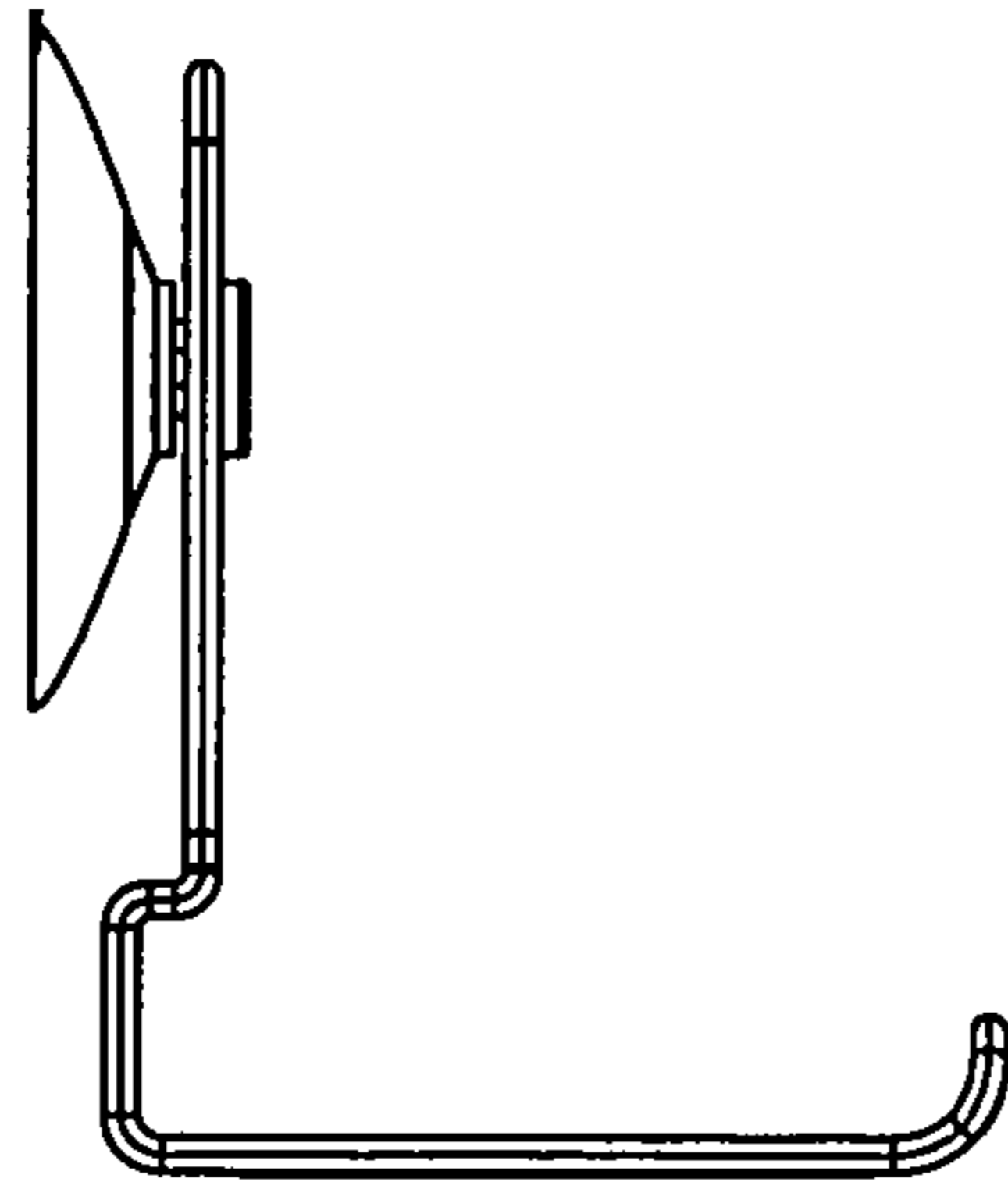


Fig 5

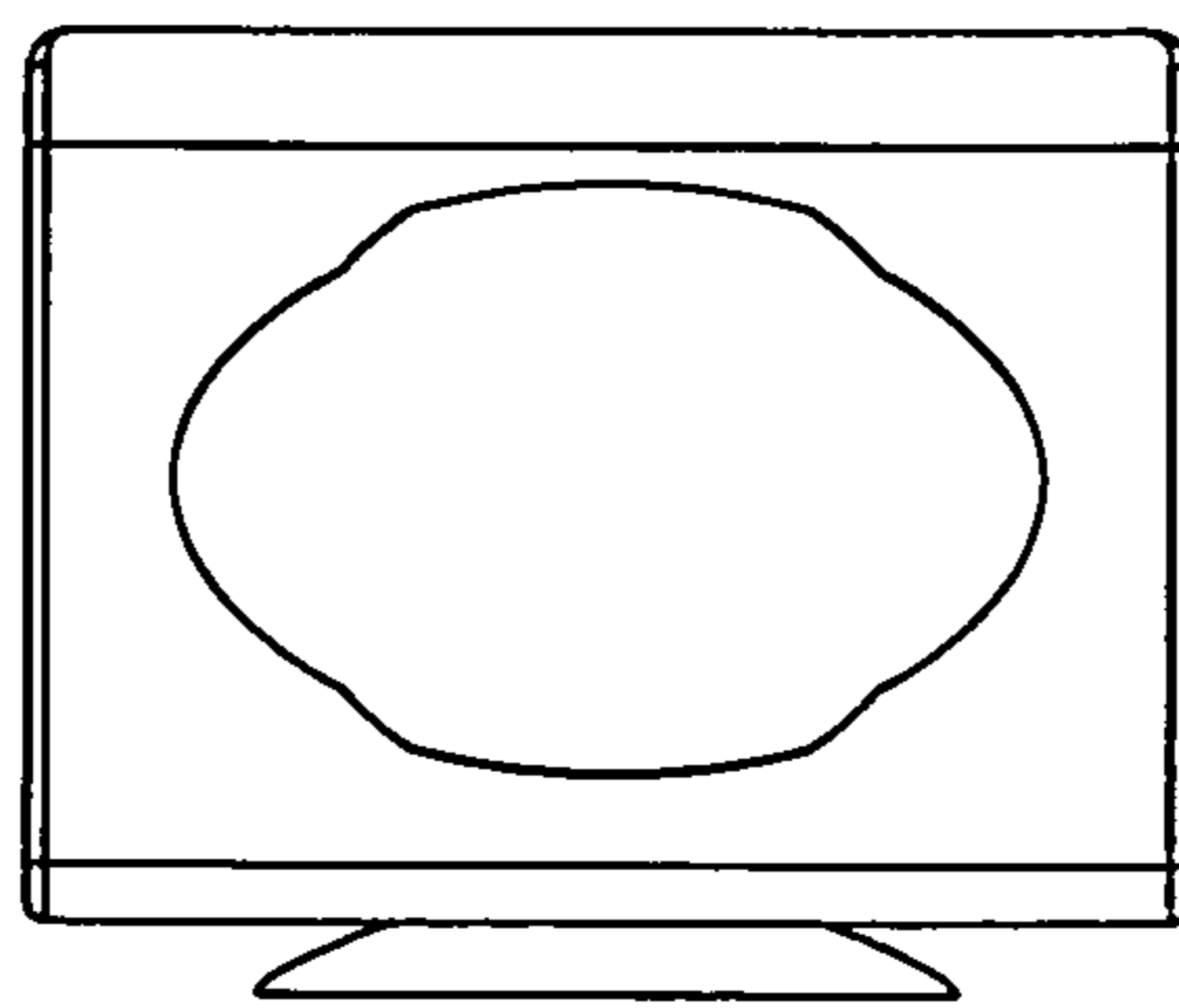


Fig 6

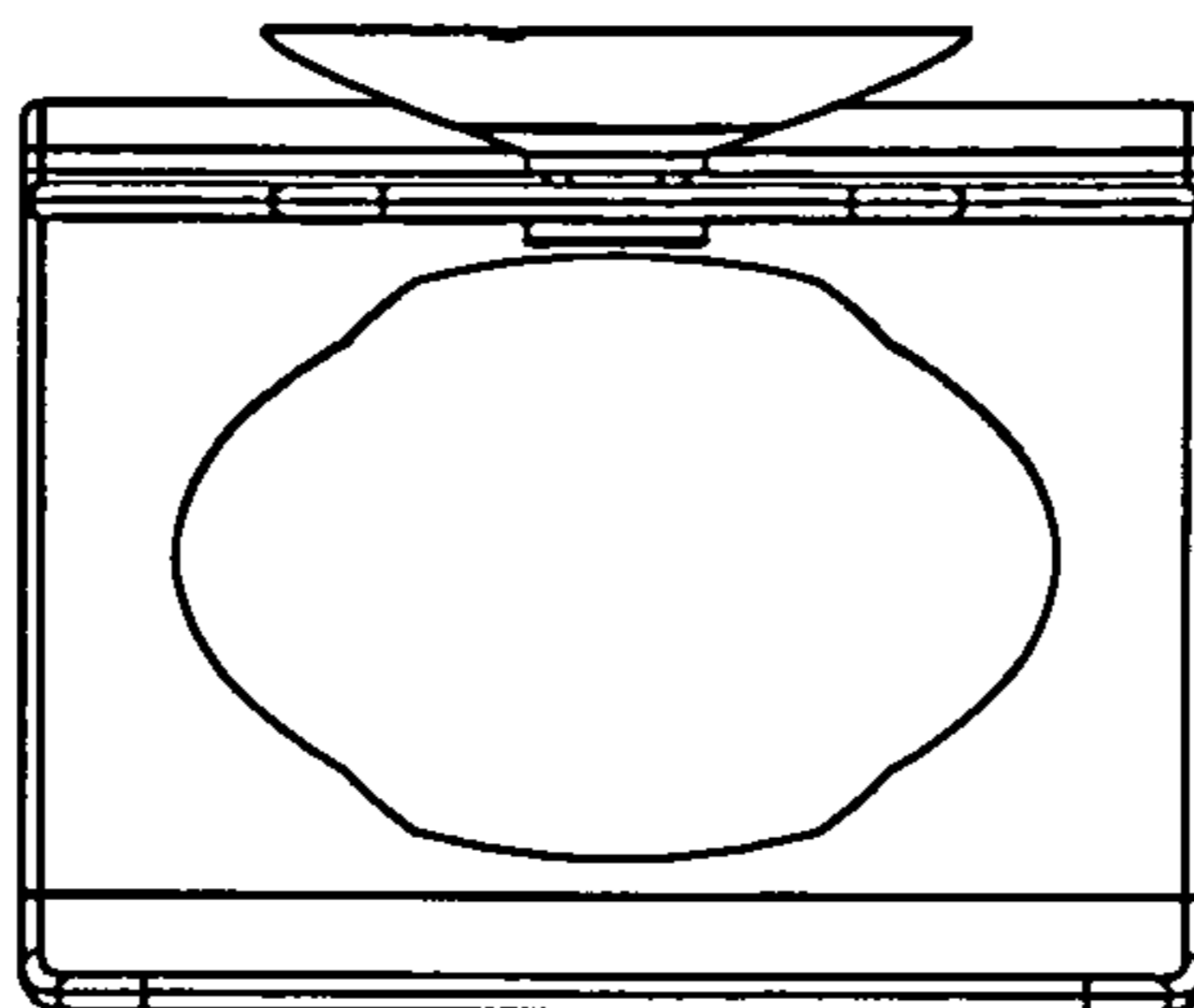


Fig 7

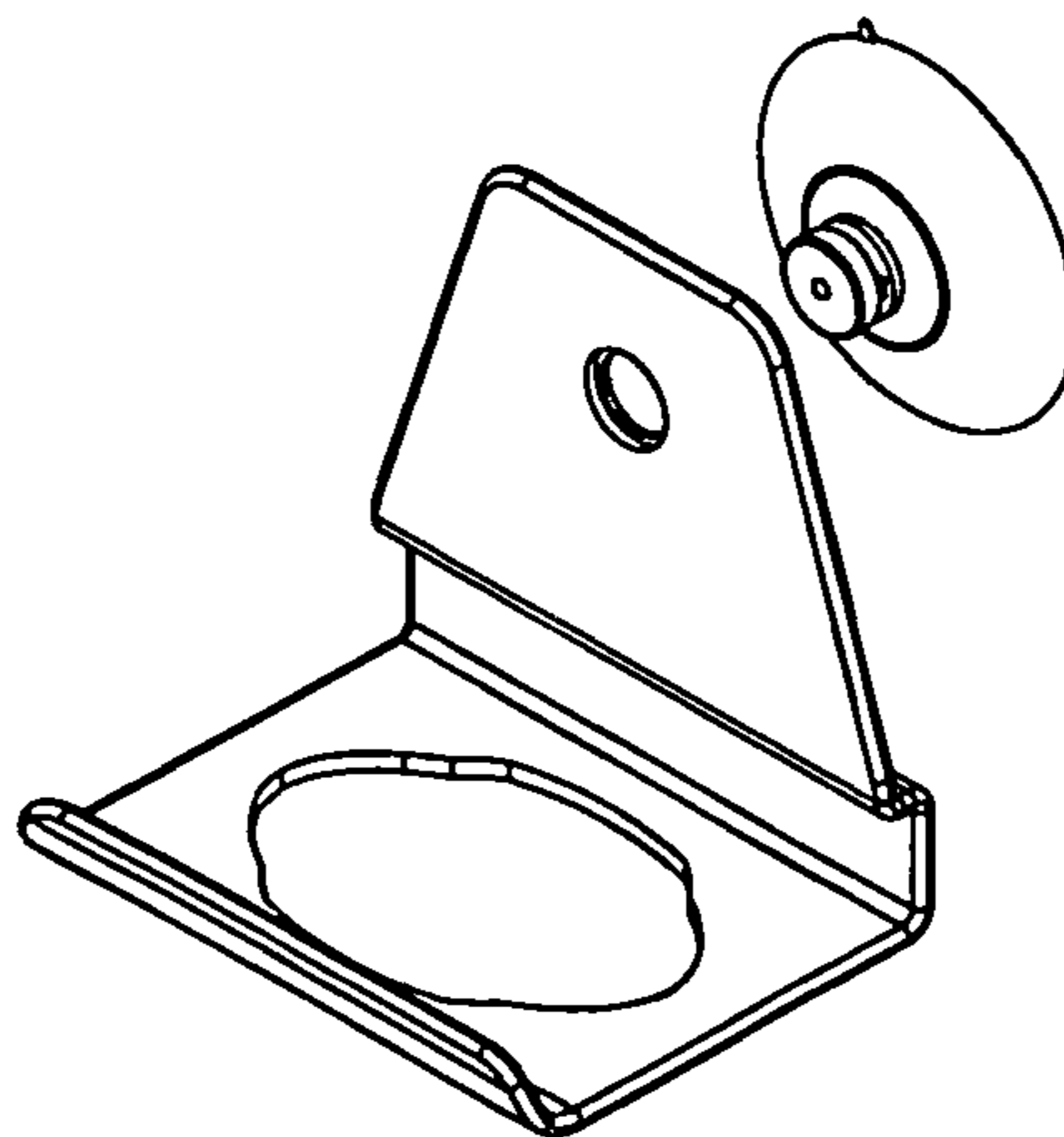


Fig 8