



US00D727656S

(12) **United States Design Patent**
Lim

(10) **Patent No.:** **US D727,656 S**

(45) **Date of Patent:** **** Apr. 28, 2015**

(54) **GRIP**

(71) Applicant: **Linda Lim**, San Francisco, CA (US)

(72) Inventor: **Linda Lim**, San Francisco, CA (US)

(73) Assignee: **Blasong Inc.**

(**) Term: **14 Years**

(21) Appl. No.: **29/463,450**

(22) Filed: **Nov. 27, 2013**

Related U.S. Application Data

(63) Continuation-in-part of application No. 29/463,098, filed on Jul. 25, 2013, which is a continuation-in-part of application No. 29/463,096, filed on Jul. 25, 2013, which is a continuation-in-part of application No. 29/463,097, filed on Jul. 25, 2013.

(51) **LOC (10) Cl.** **06-04**

(52) **U.S. Cl.**
USPC **D6/553; D8/373**

(58) **Field of Classification Search**
USPC D6/542-545, 553, 567, 574, 515-526;
206/77.1; 211/13.1, 86.01, 87.01;
221/14, 92, 649, 146.1, 146.2, 105;
222/281-282; D23/225; D8/349, 354,
D8/363, 373, 394; D24/155; D19/81

See application file for complete search history.

(56) **References Cited**

U.S. PATENT DOCUMENTS

2,252,260	A	*	8/1941	Jones	248/311.2
D233,385	S	*	10/1974	Friedman	D6/553
D233,386	S	*	10/1974	Hammett	D6/567
D296,520	S	*	7/1988	Spinetta	D8/373
D362,780	S		10/1995	Hampshire		
5,971,192	A		10/1999	Hampshire		
D458,499	S	*	6/2002	Cone et al.	D6/553
D483,587	S		12/2003	Snell		
6,886,792	B2		5/2005	Zimmerman		
D562,517	S	*	2/2008	Henke et al.	D8/373
D580,693	S	*	11/2008	Cotilletta	D6/553
8,225,946	B2		7/2012	Sandor		
2001/0020621	A1		9/2001	Immerman		

* cited by examiner

Primary Examiner — Brian N Vinson

(57) **CLAIM**

The ornamental design for a grip, as shown and described.

DESCRIPTION

FIG. 1 is a front, right side perspective view of a grip showing my new design;

FIG. 2 is a front view thereof;

FIG. 3 is a back view thereof;

FIG. 4 is a right side view thereof;

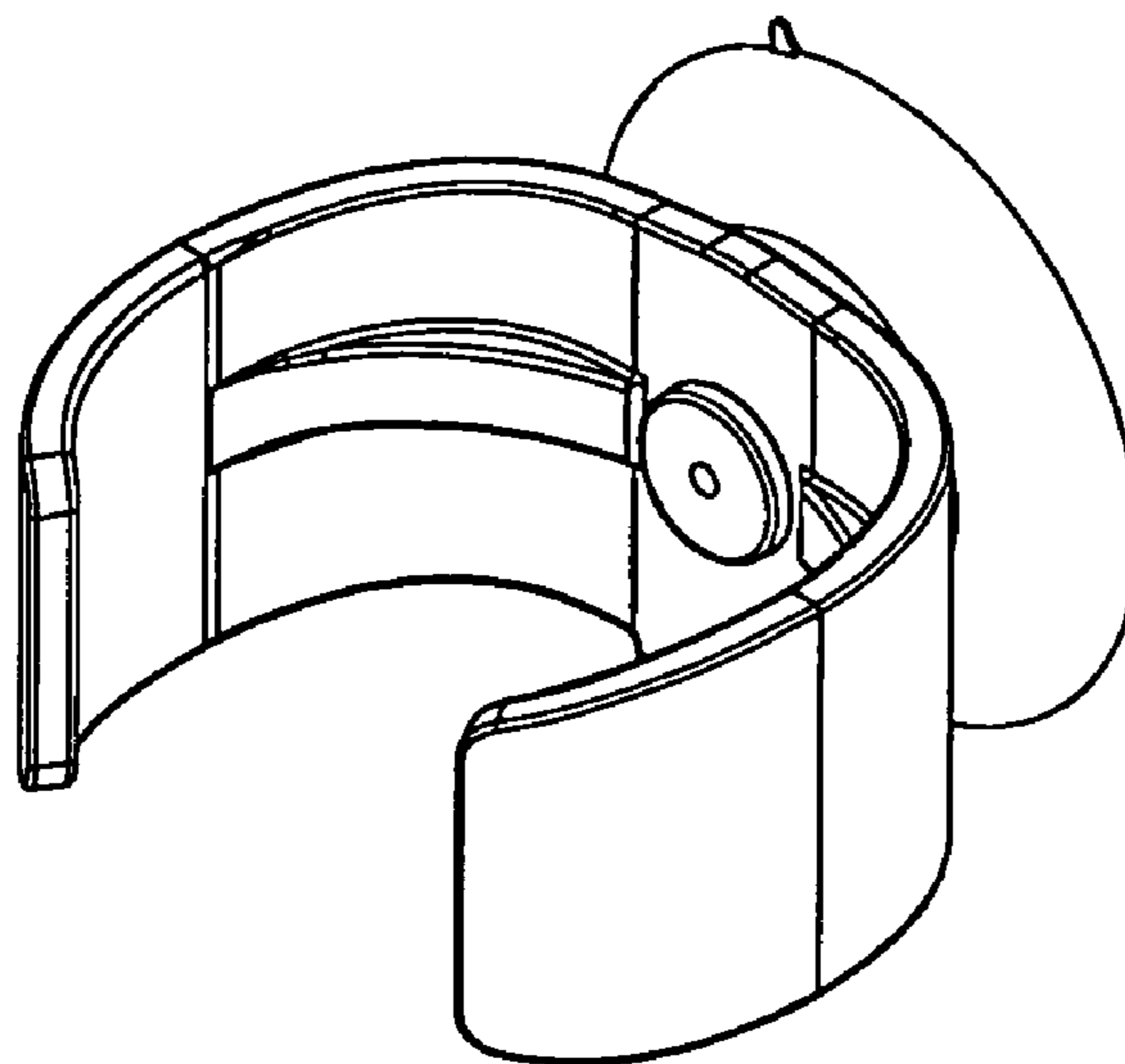
FIG. 5 is a left side view thereof;

FIG. 6 is a top plan view thereof;

FIG. 7 is a bottom plan view thereof; and,

FIG. 8 is an exploded front and right side perspective view thereof.

1 Claim, 4 Drawing Sheets



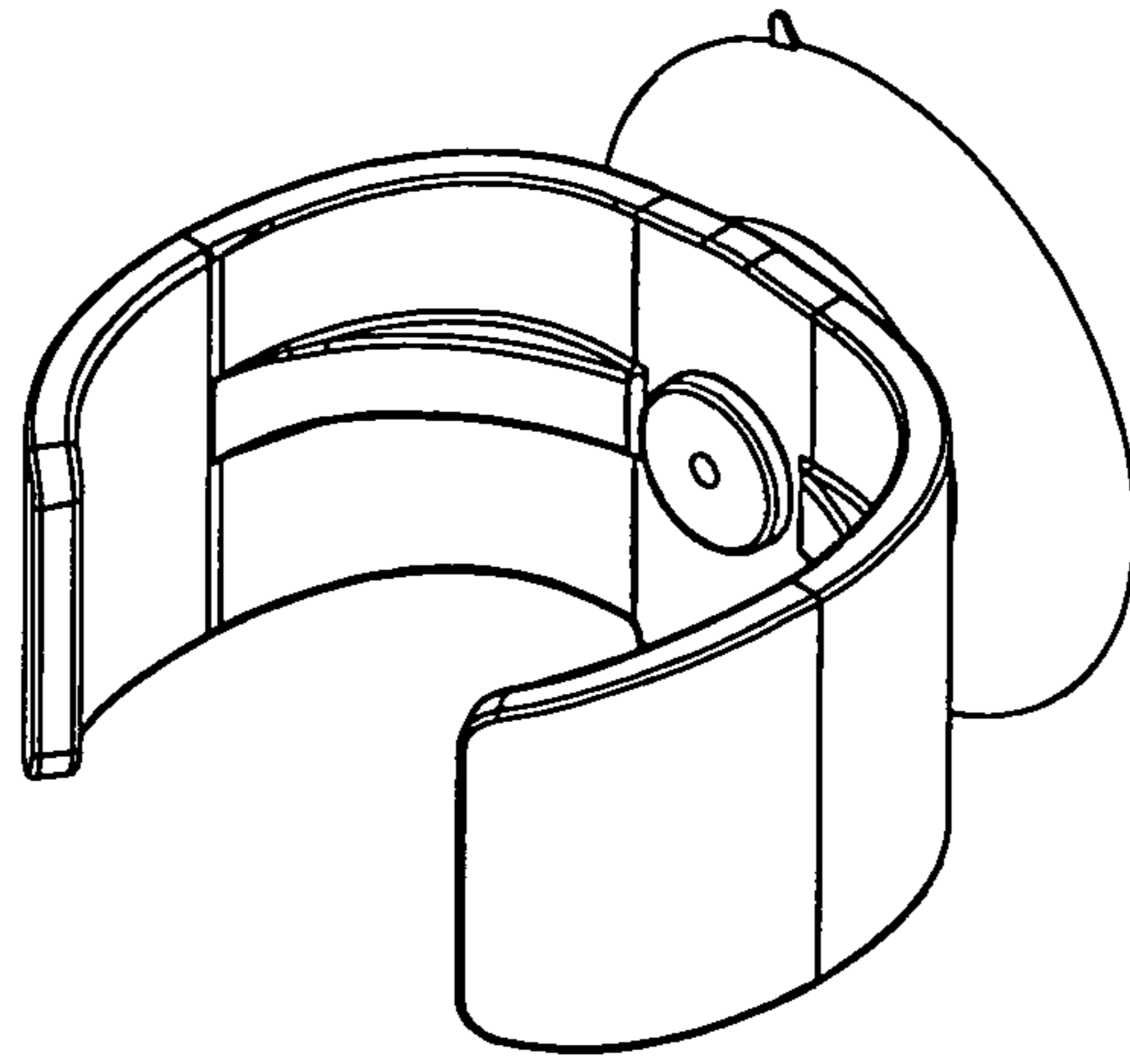


Fig 1

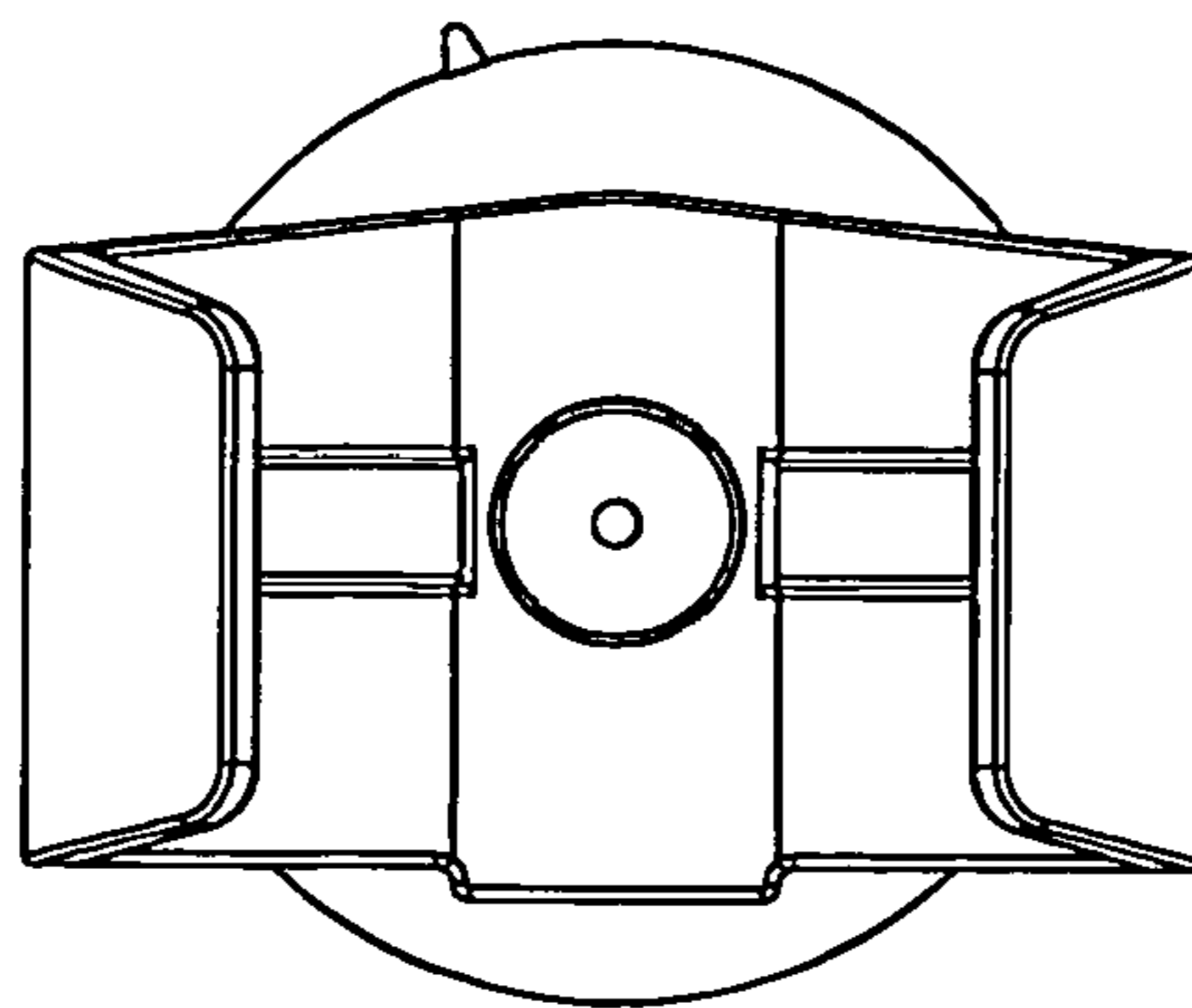


Fig 2

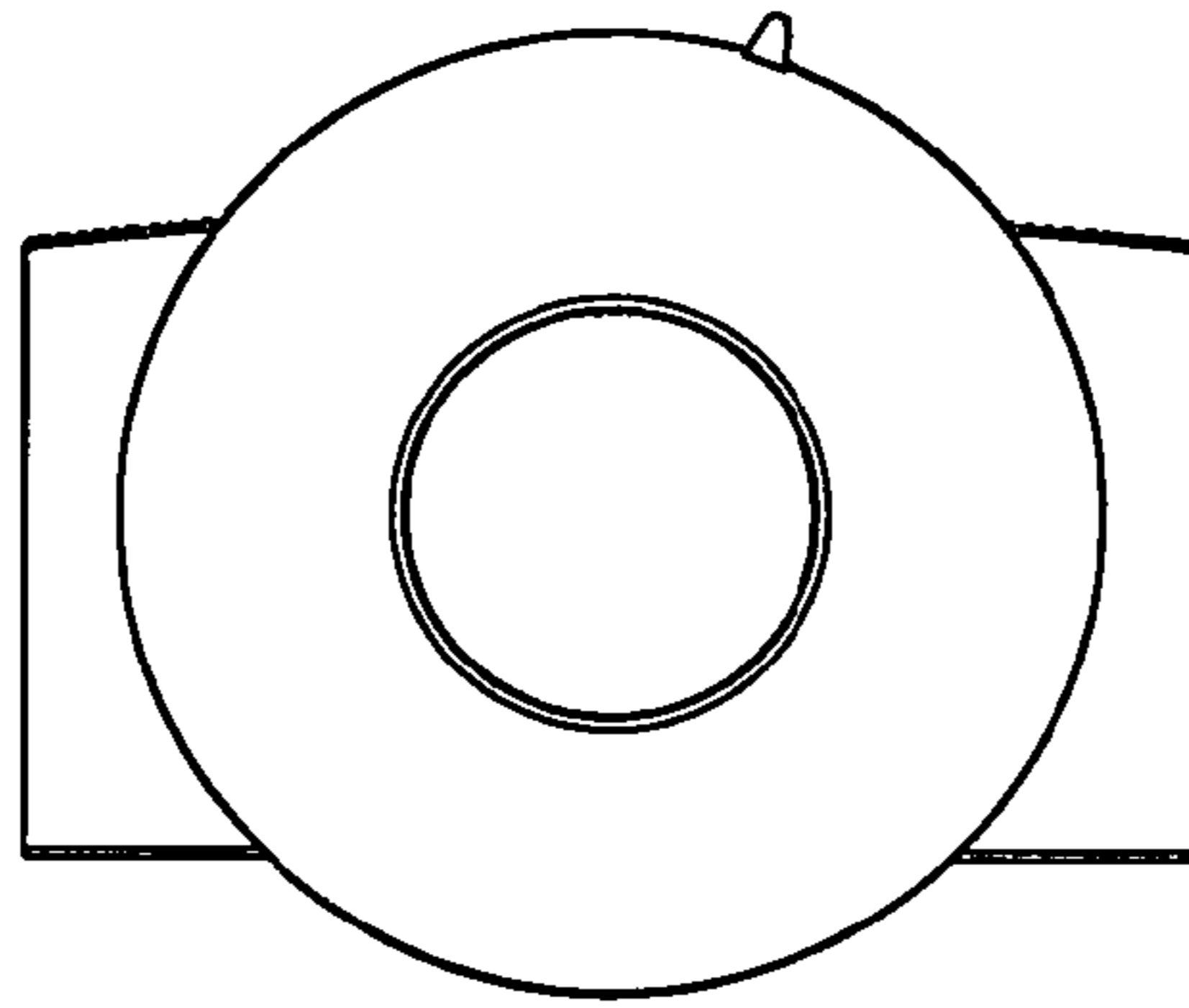


Fig 3

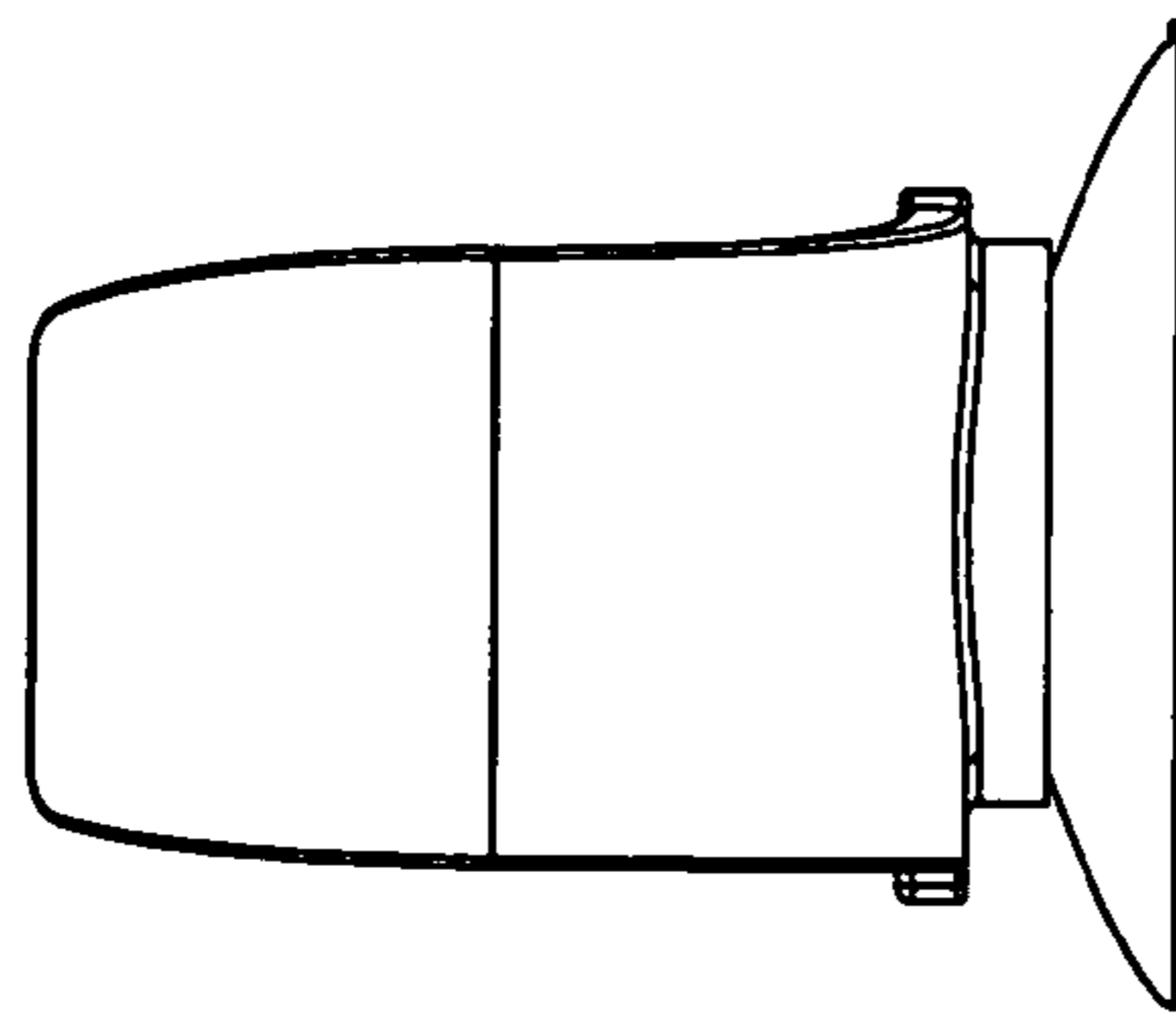


Fig 4

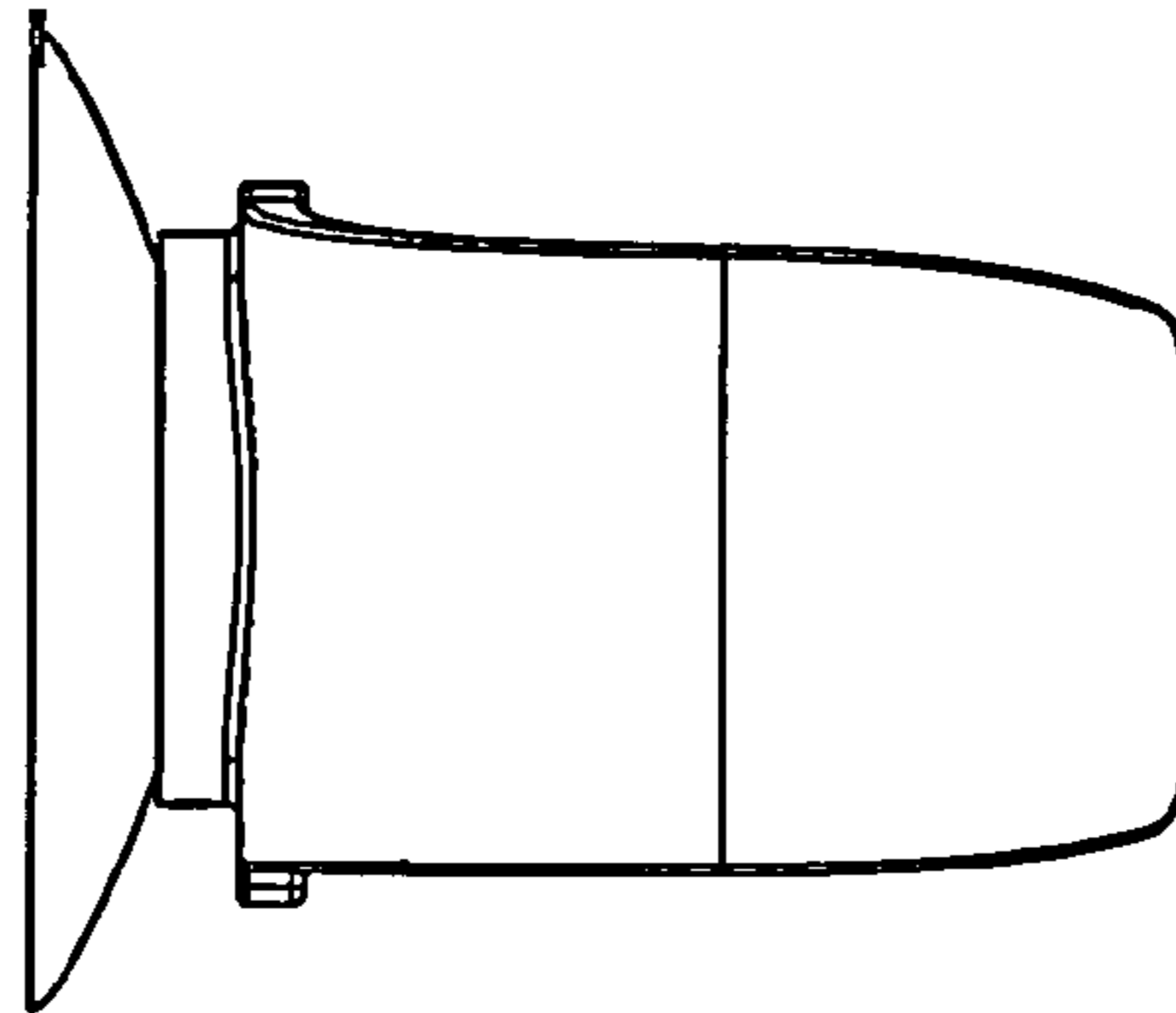


Fig 5

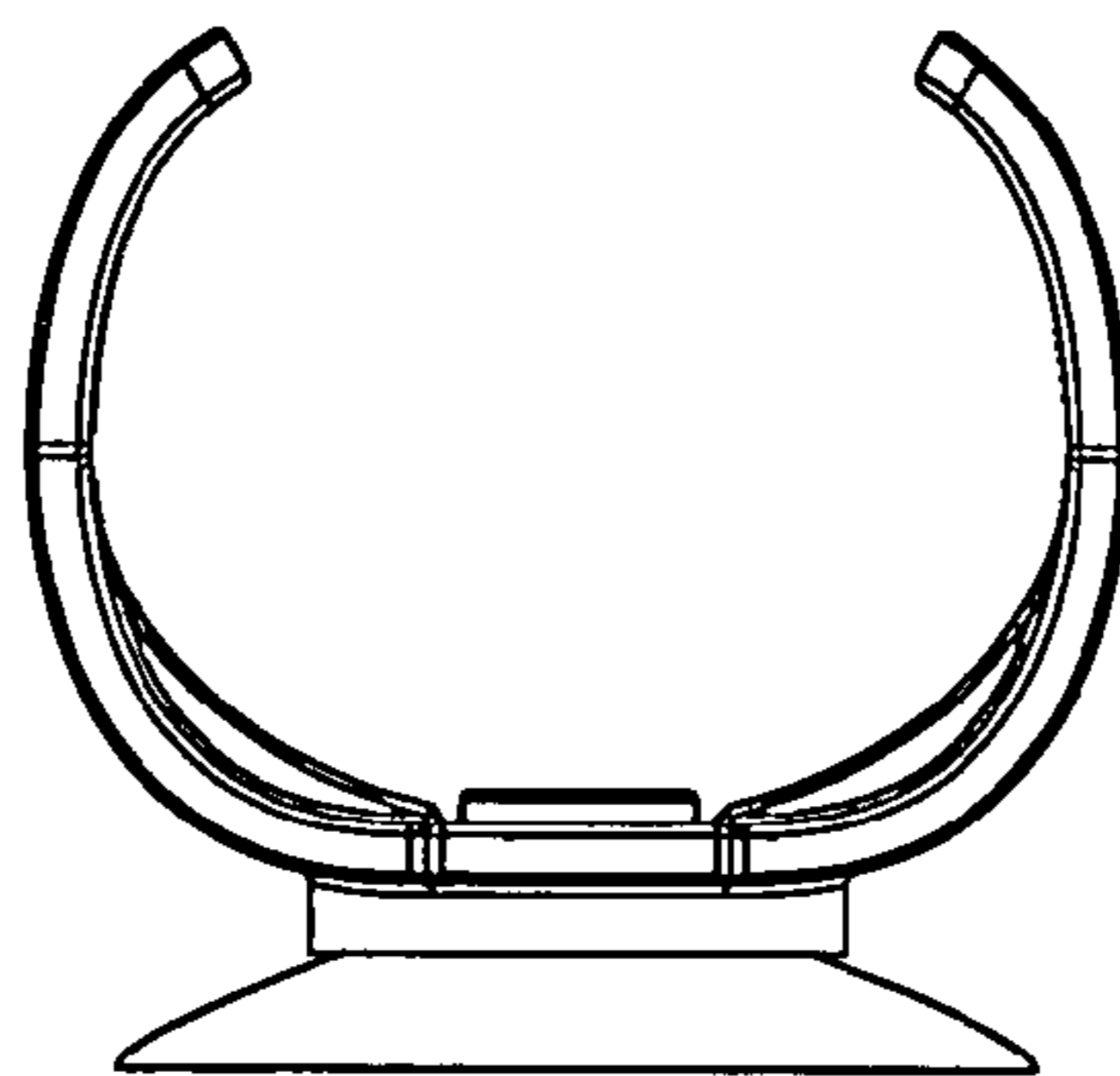


Fig 6

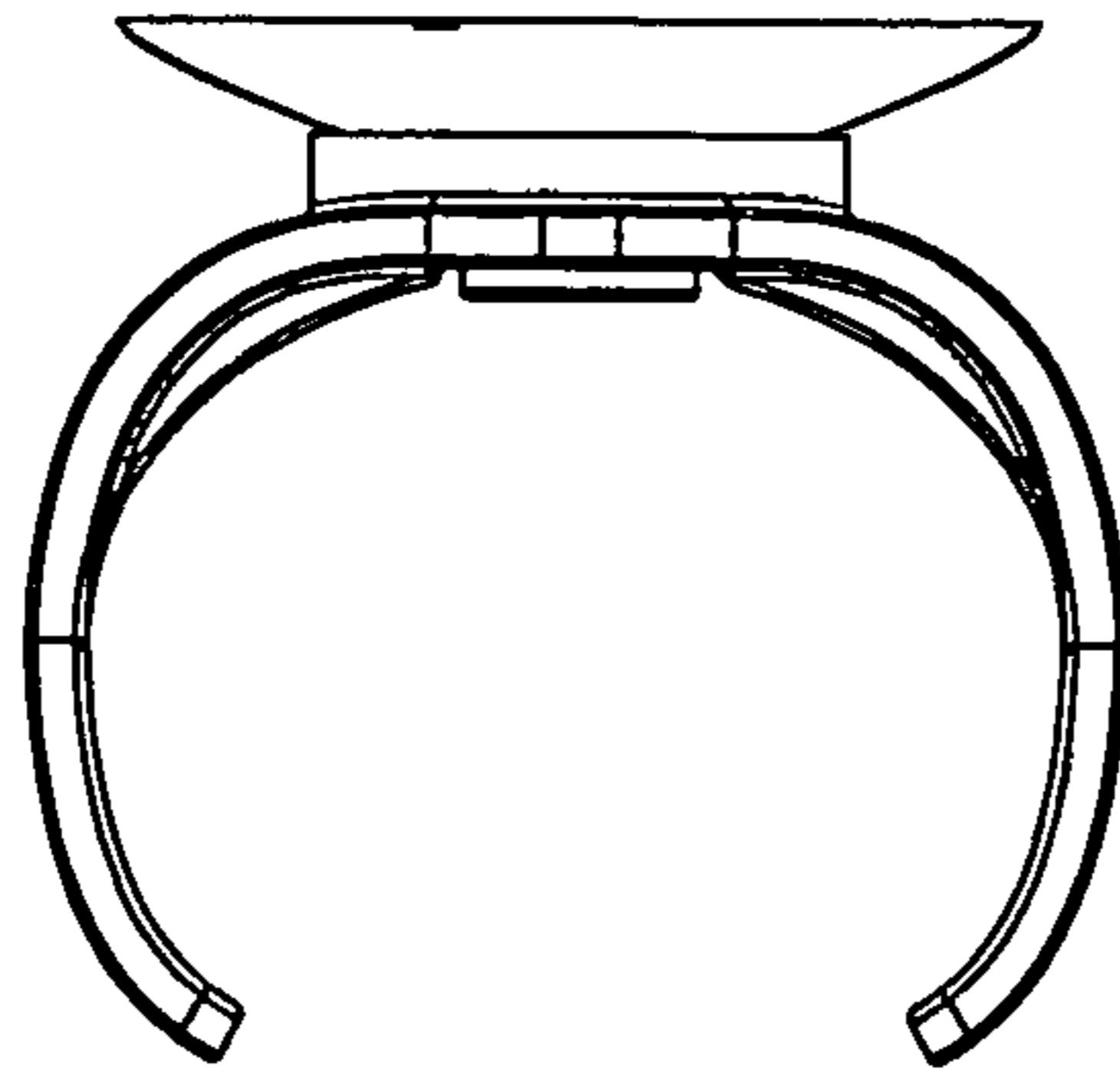


Fig 7

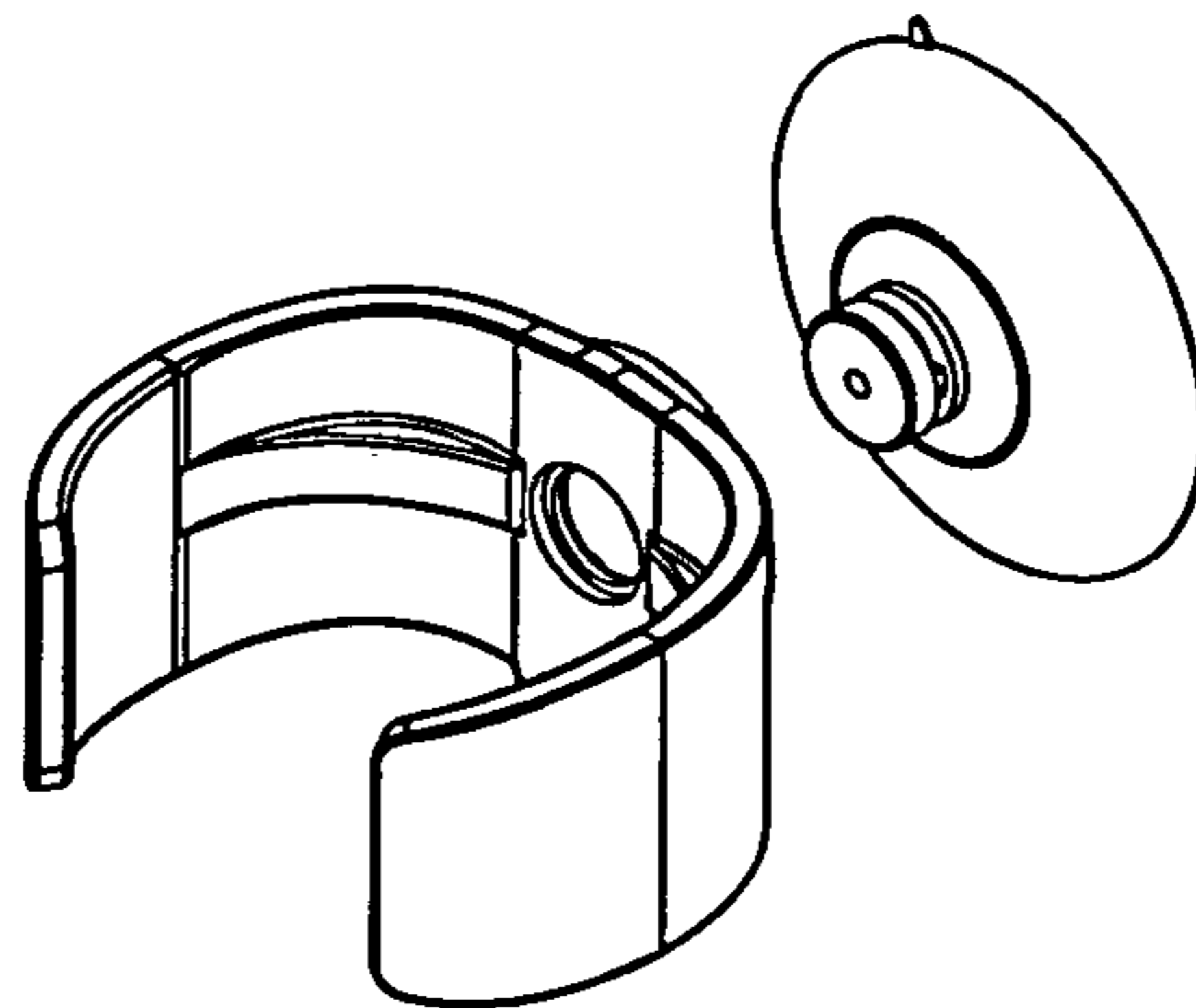


Fig 8