



US00D727654S

(12) **United States Design Patent**
Tollasepp et al.

(10) **Patent No.:** **US D727,654 S**
(45) **Date of Patent:** **** Apr. 28, 2015**

- (54) **SINK CONTAINER**
- (71) Applicant: **Tonis Tollasepp**, Toronto (CA)
- (72) Inventors: **Tonis Tollasepp**, Toronto (CA); **Jason Nip**, Toronto (CA)
- (73) Assignee: **Tonis Tollasepp**, Toronto (CA)
- (**) Term: **14 Years**
- (21) Appl. No.: **29/460,851**
- (22) Filed: **Jul. 16, 2013**
- (51) **LOC (10) Cl.** **06-04**
- (52) **U.S. Cl.**
USPC **D6/553**
- (58) **Field of Classification Search**
USPC D6/512–523, 553–574; D9/730, 702,
D9/432, 431, 414, 499; D19/78, 84, 90,
D19/65, 75, 81, 85, 86, 91, 100; 211/13.1,
211/10–12, 85.13, 44, 60.1, 69.1, 70.6,
211/70.7, 72, 86.01, 87.01, 90.01, 119.009,
211/134; 206/69, 363, 361, 349, 703, 233,
206/581, 570, 514, 77.1, 96, 730, 735;
D3/203.1, 203.5, 201, 226, 227, 269,
D3/304, 315
See application file for complete search history.

D483,587 S	12/2003	Snell	
D485,306 S *	1/2004	Sheldon et al.	D6/553
D501,886 S *	2/2005	Chen et al.	D6/553
6,991,200 B2	1/2006	Stillman	
D532,235 S	11/2006	Snell	
D532,639 S	11/2006	Snell	
D566,361 S *	4/2008	Snell	D6/567
D566,919 S	4/2008	Snell	
D592,434 S *	5/2009	Thompson et al.	D6/553

(Continued)

FOREIGN PATENT DOCUMENTS

GB	2444635	11/2008
JP	11221165	8/1999
JP	2001214490	8/2001

(Continued)

Primary Examiner — Brian N Vinson

(74) *Attorney, Agent, or Firm* — Simpson & Simpson, PLLC

(57) **CLAIM**

The ornamental design of a sink container, as described and shown.

DESCRIPTION

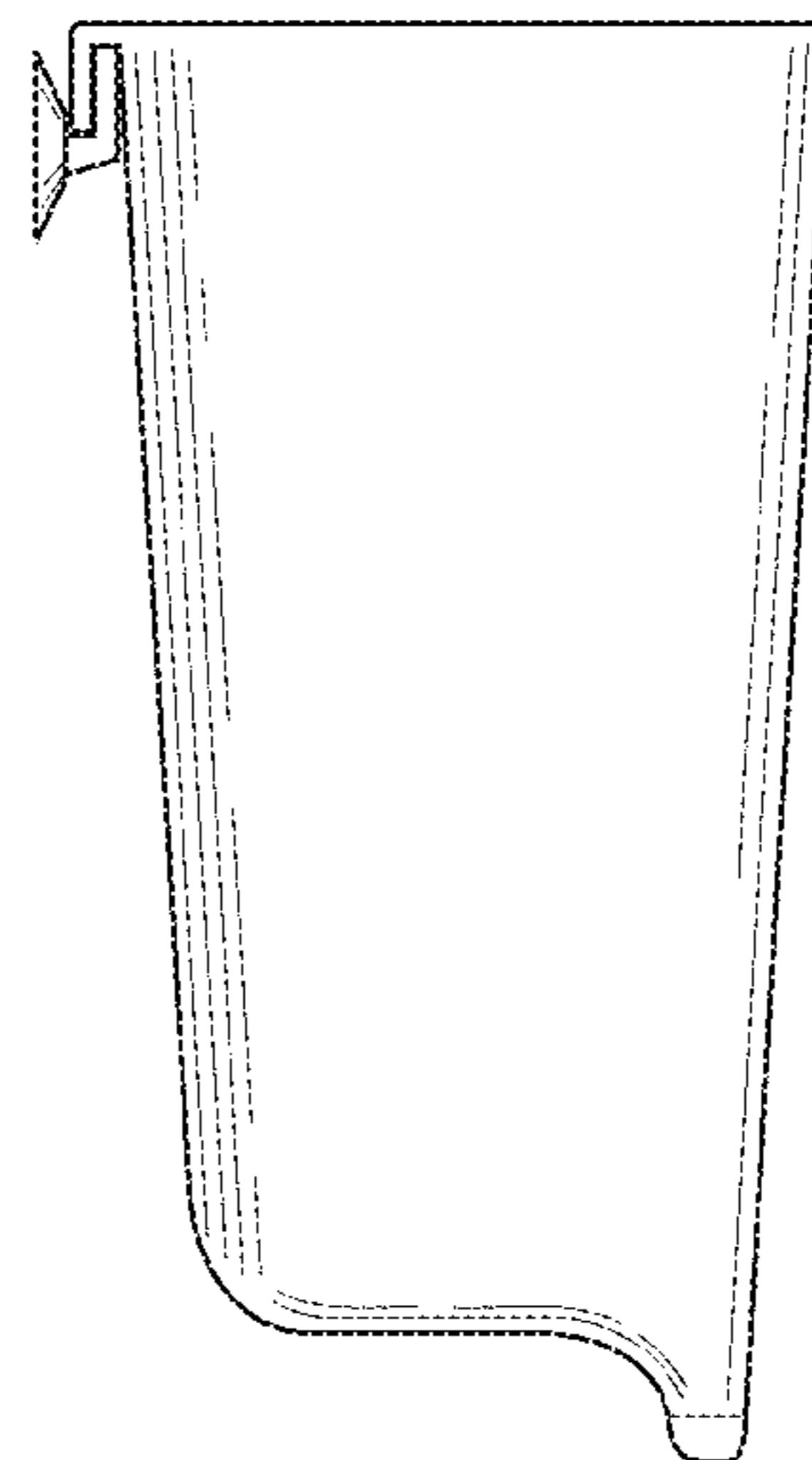
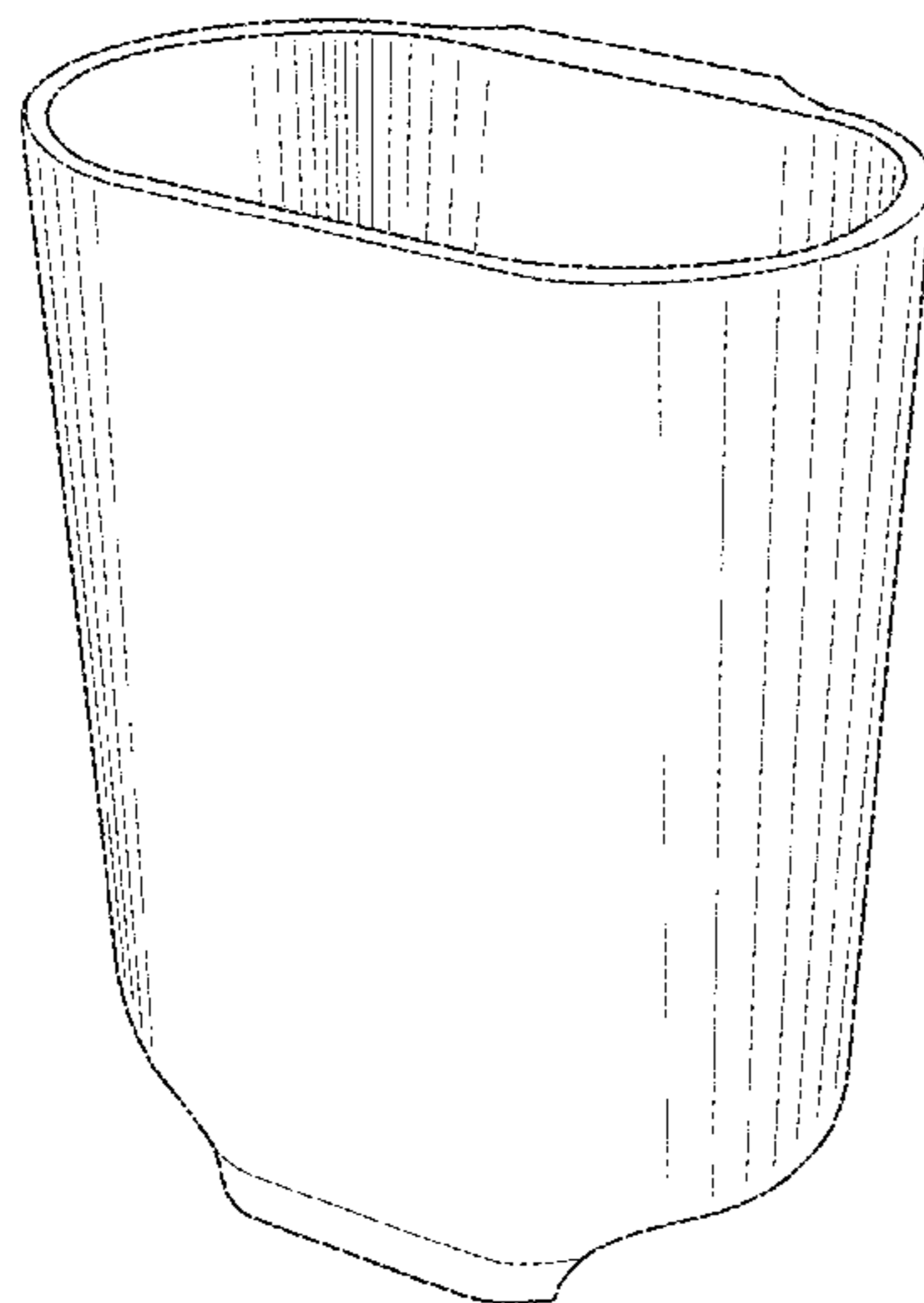
FIG. 1 is a front perspective view of the sink container of the invention;
 FIG. 2 is a front elevational view of the sink container of the invention;
 FIG. 3 is a rear elevational view of the sink container of the invention;
 FIG. 4 is a left side elevational view of the sink container of the invention;
 FIG. 5 is a right side elevational view of the sink container of the invention;
 FIG. 6 is a top plan view of the sink, container of the invention; and,
 FIG. 7 is a bottom plan view of the sink container of the invention.

1 Claim, 6 Drawing Sheets

(56) **References Cited**

U.S. PATENT DOCUMENTS

2,044,520 A	6/1936	Weiant	
4,531,246 A	7/1985	Earley	
5,176,347 A	1/1993	Rouail	
D355,791 S *	2/1995	Briley	D6/553
5,590,804 A	1/1997	Crum et al.	
D419,301 S *	1/2000	Hampshire	D6/567
D419,808 S *	2/2000	Hampshire	D6/553
6,152,294 A	11/2000	Weinberg	
6,330,948 B1	12/2001	Leto	
6,402,104 B1	6/2002	Smith	



(56)

References Cited

FOREIGN PATENT DOCUMENTS

U.S. PATENT DOCUMENTS

D616,688 S * 6/2010 Hernandez et al. D6/553
D618,675 S * 6/2010 Thompson et al. D6/553
D635,383 S 4/2011 Yang et al.
8,296,876 B2 10/2012 Yang et al.

JP 2005089179 4/2005
JP 201100164 1/2011
JP 2011041700 3/2011
JP 2012101137 5/2012

* cited by examiner

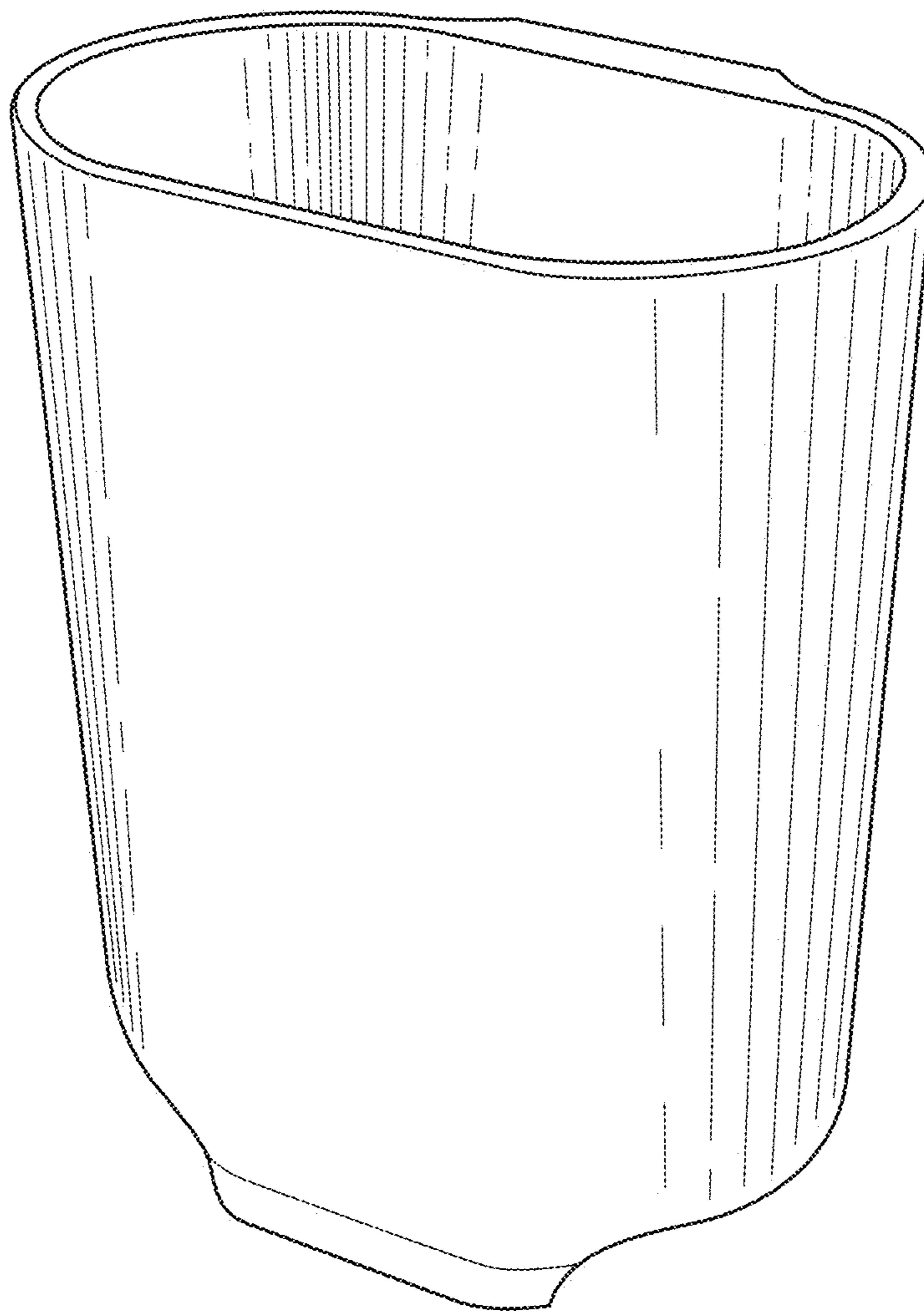


Fig. 1

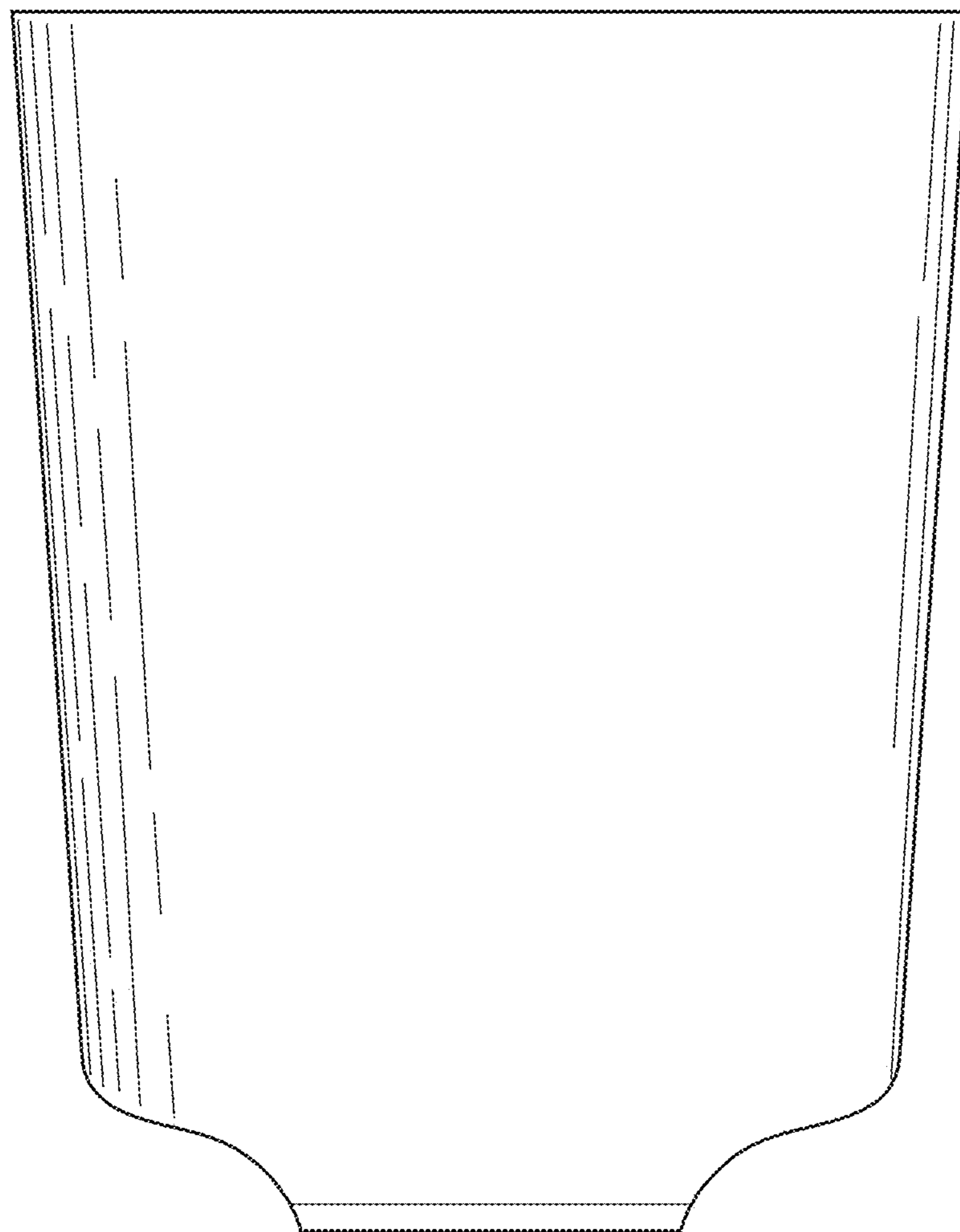


Fig. 2

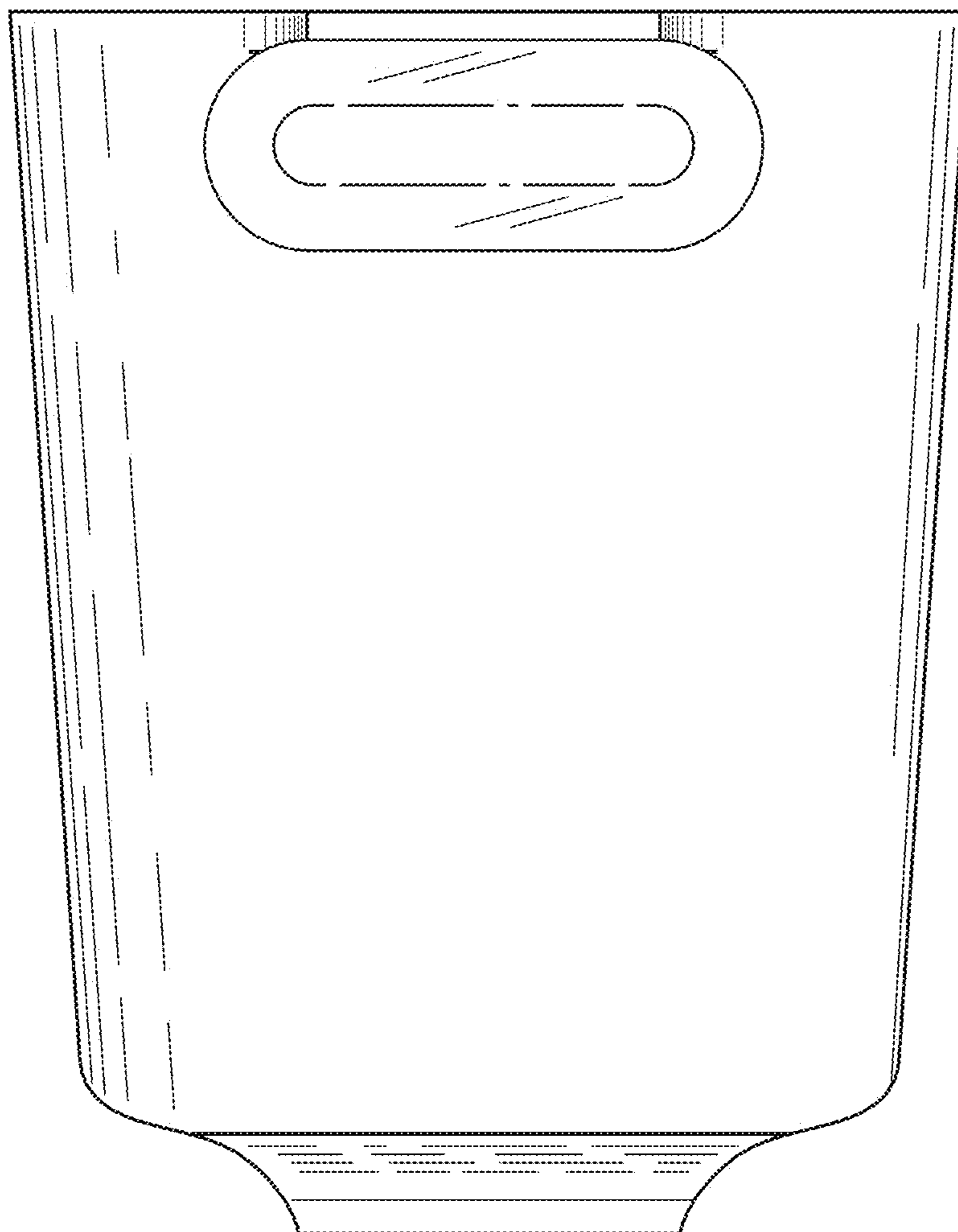


Fig. 3

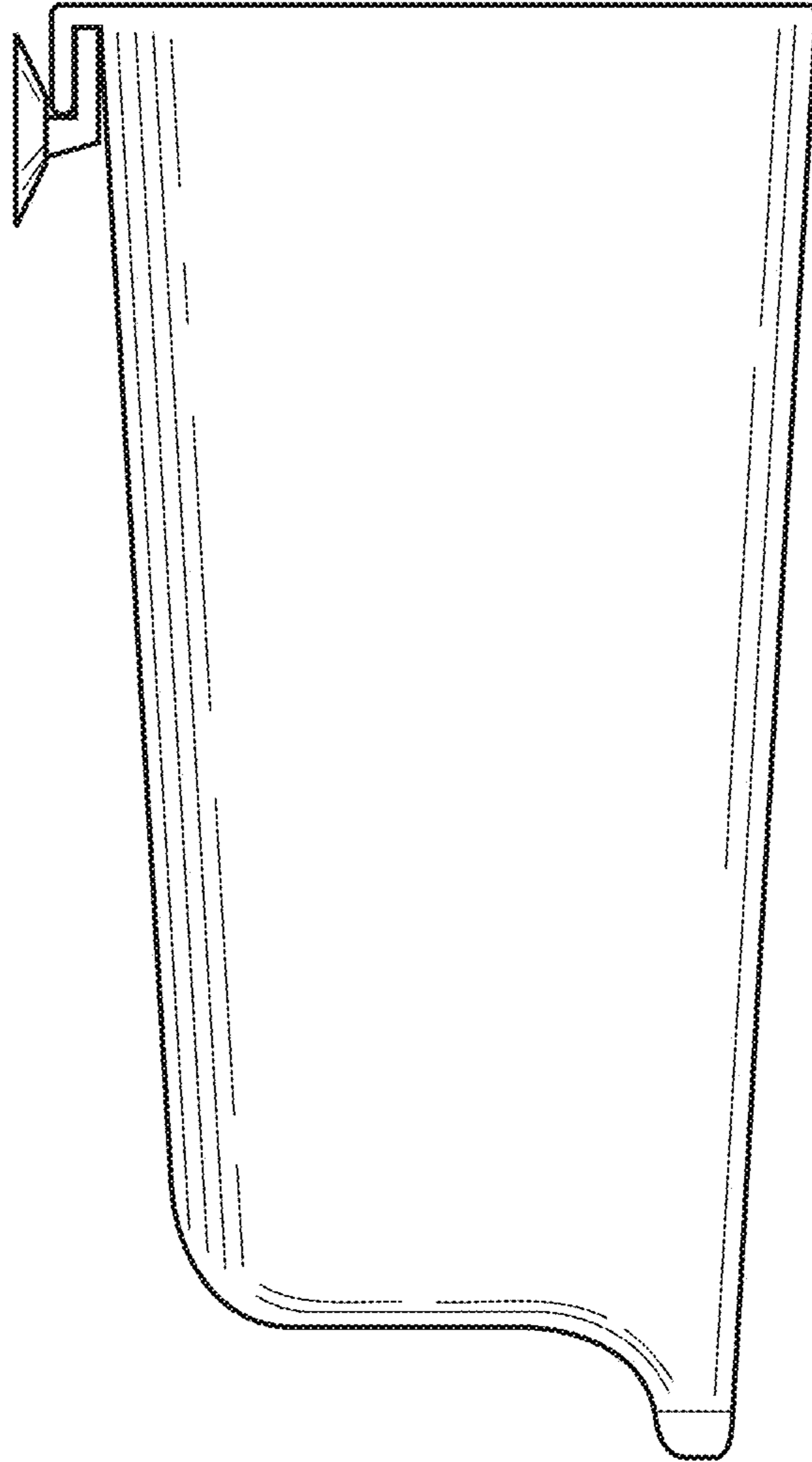


Fig. 4

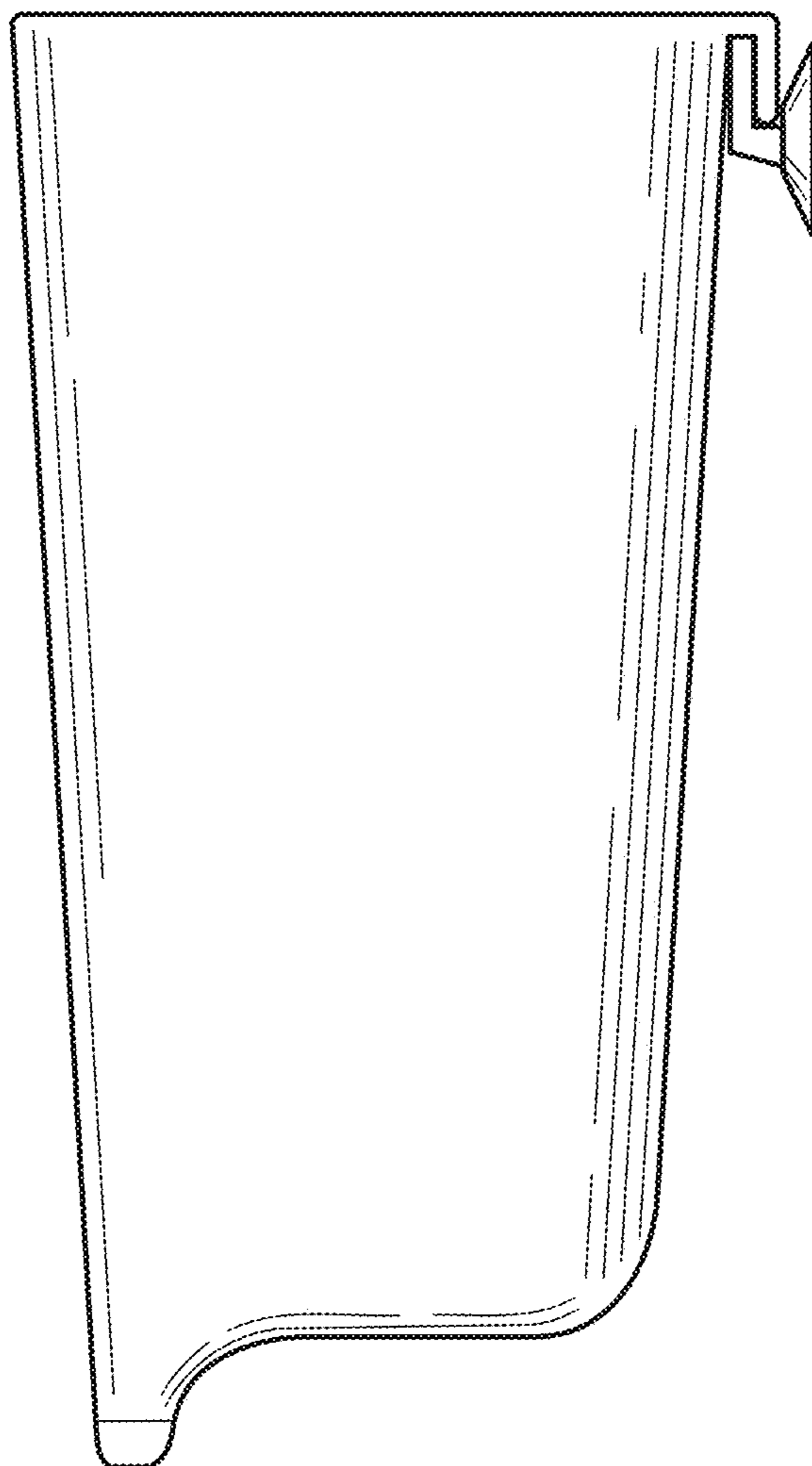


Fig. 5

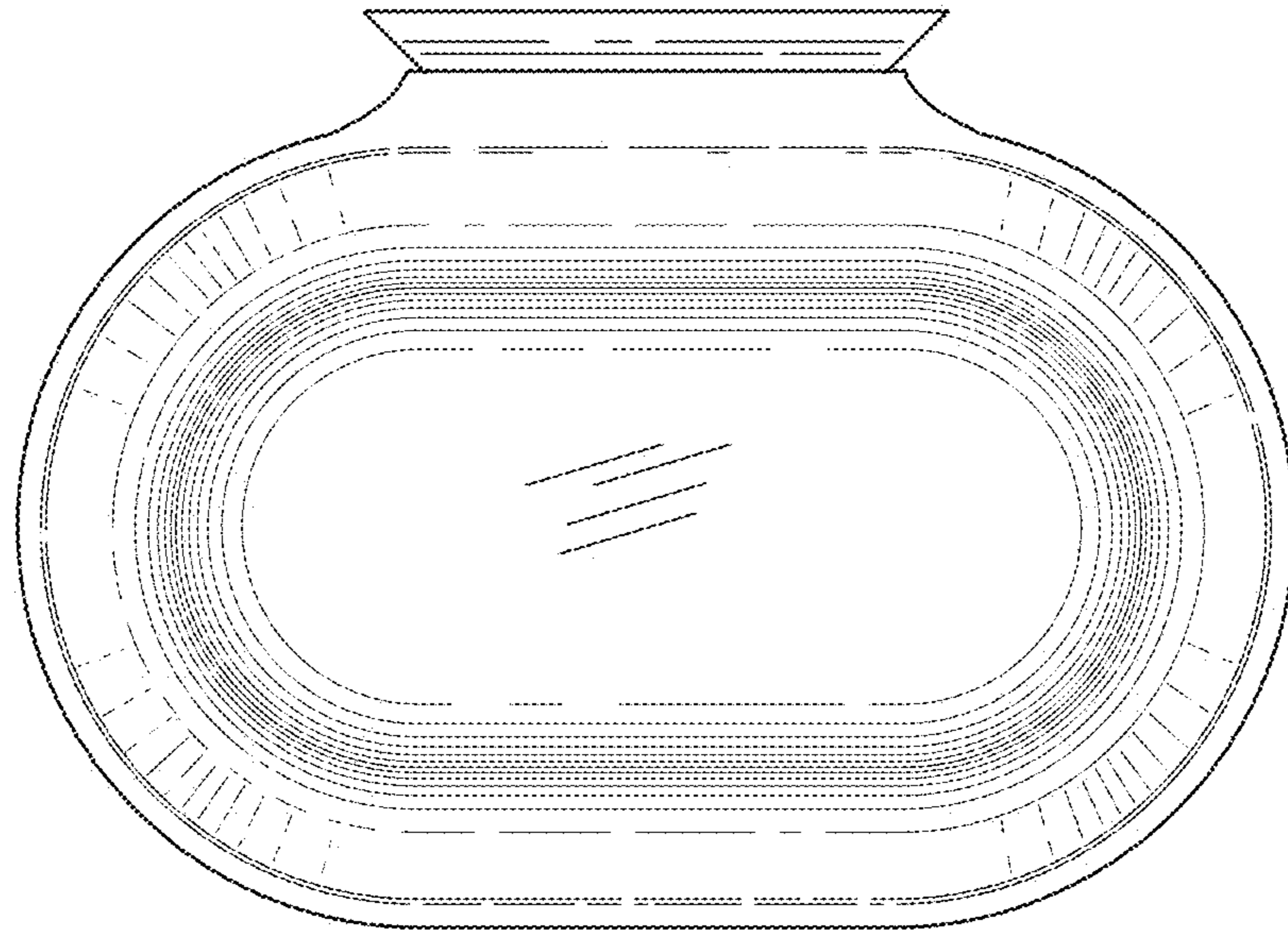


Fig. 6

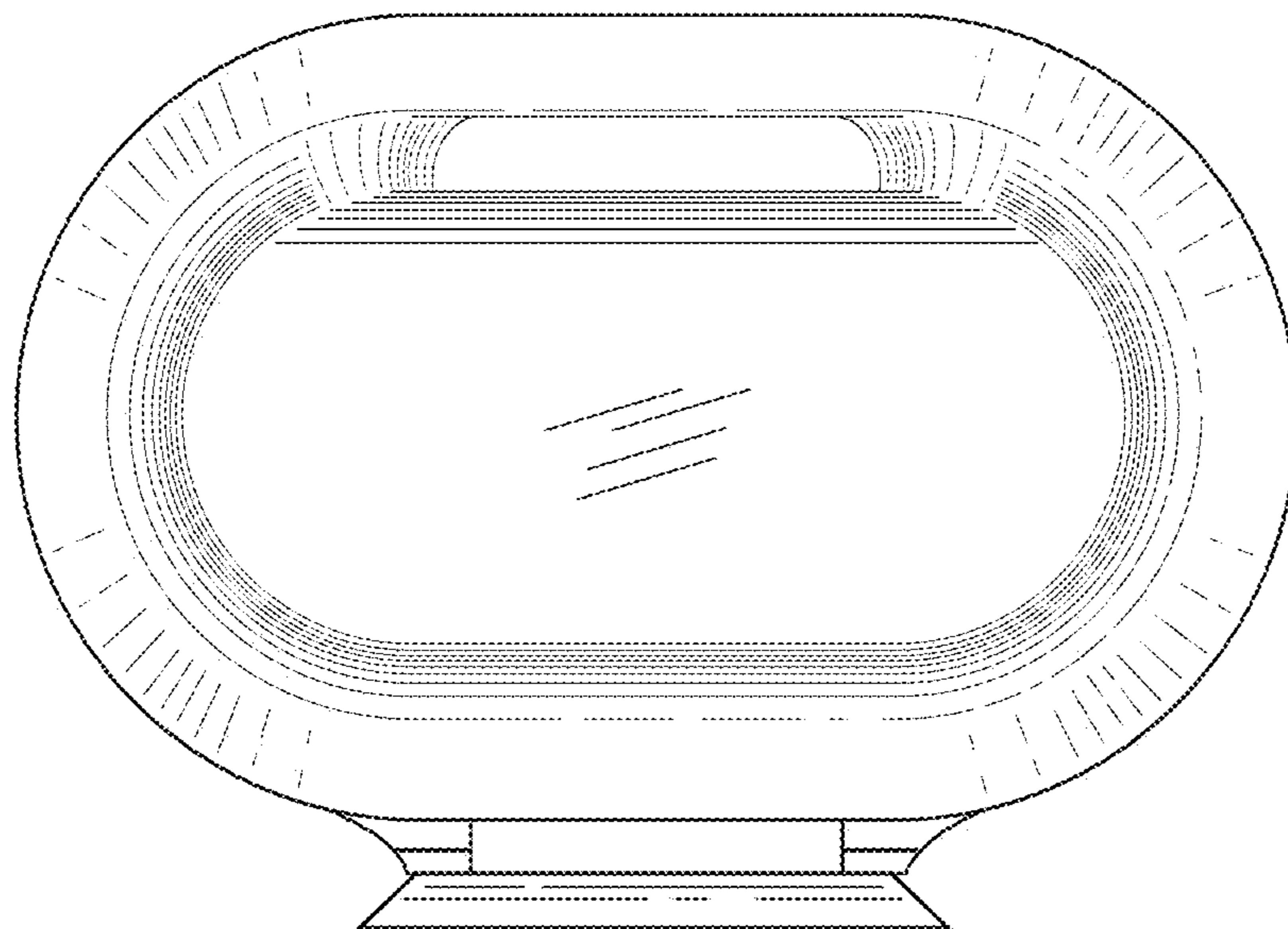


Fig. 7