



US00D727651S

(12) **United States Design Patent**
San Martin

(10) **Patent No.:** **US D727,651 S**

(45) **Date of Patent:** **** Apr. 28, 2015**

- (54) **BEDSIDE ELECTRONICS CADDY**
- (71) Applicant: **Ricardo Tomas San Martin**, Anna, TX
(US)
- (72) Inventor: **Ricardo Tomas San Martin**, Anna, TX
(US)
- (**) Term: **14 Years**
- (21) Appl. No.: **29/472,382**
- (22) Filed: **Nov. 12, 2013**
- (51) **LOC (10) Cl.** **06-06**
- (52) **U.S. Cl.**
USPC **D6/513**
- (58) **Field of Classification Search**
USPC D6/512-514, 552, 553, 556, 567, 56,
D6/466; D8/349, 354, 367, 373, 380, 381;
D28/73, 86; D19/75, 77, 81, 100;
108/33, 42; 211/13.1, 10, 85.1, 85.3,
211/85.6, 85.9, 14, 30, 32, 41.12, 69.5,
211/70.1, 70.6, 70.7, 60.1, 71.01, 72, 74,
211/75, 86.01, 87.01, 88.04, 134, 135;
248/37.3, 49, 200, 251, 300, 309.1,
248/311.2, 314, 694, 902, 907; D3/215,
D3/218, 224, 226

See application file for complete search history.

(56) **References Cited**

U.S. PATENT DOCUMENTS

- 5,031,808 A * 7/1991 Dolenc 248/311.2
- D318,771 S * 8/1991 Wellner D6/569
- D377,876 S * 2/1997 Hatala et al. D6/513

* cited by examiner

Primary Examiner — Brian N Vinson

(74) *Attorney, Agent, or Firm* — Guy V. Manning

(57) **CLAIM**

The ornamental design for a bedside electronics caddy, as shown and described.

DESCRIPTION

FIG. 1 is a perspective view of the caddy showing the new design;
 FIG. 2 is a front elevational view of the caddy shown in FIG. 1;
 FIG. 3 is a rear elevational view of the caddy shown in FIG. 1;
 FIG. 4 is a right side elevational view of the caddy shown in FIG. 1.
 FIG. 5 is a left side elevational view of the caddy shown in FIG. 1; and
 FIG. 6 is a top plan view of the caddy shown in FIG. 1; and,
 FIG. 7 is a bottom plan view of the caddy shown in FIG. 1.
 The broken-line disclosure represents environment which forms no part of the claimed design.

1 Claim, 4 Drawing Sheets

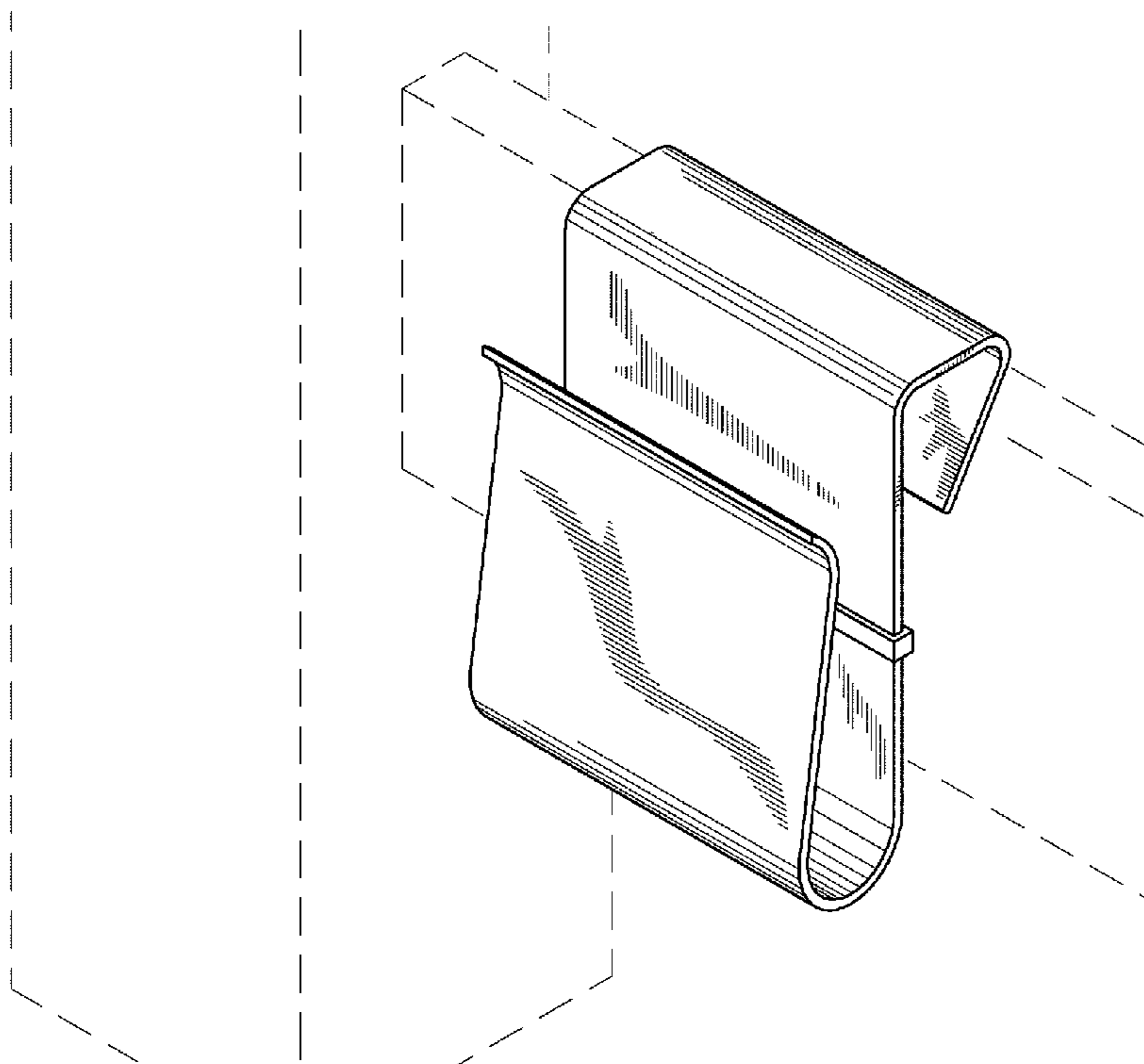


Fig. 1

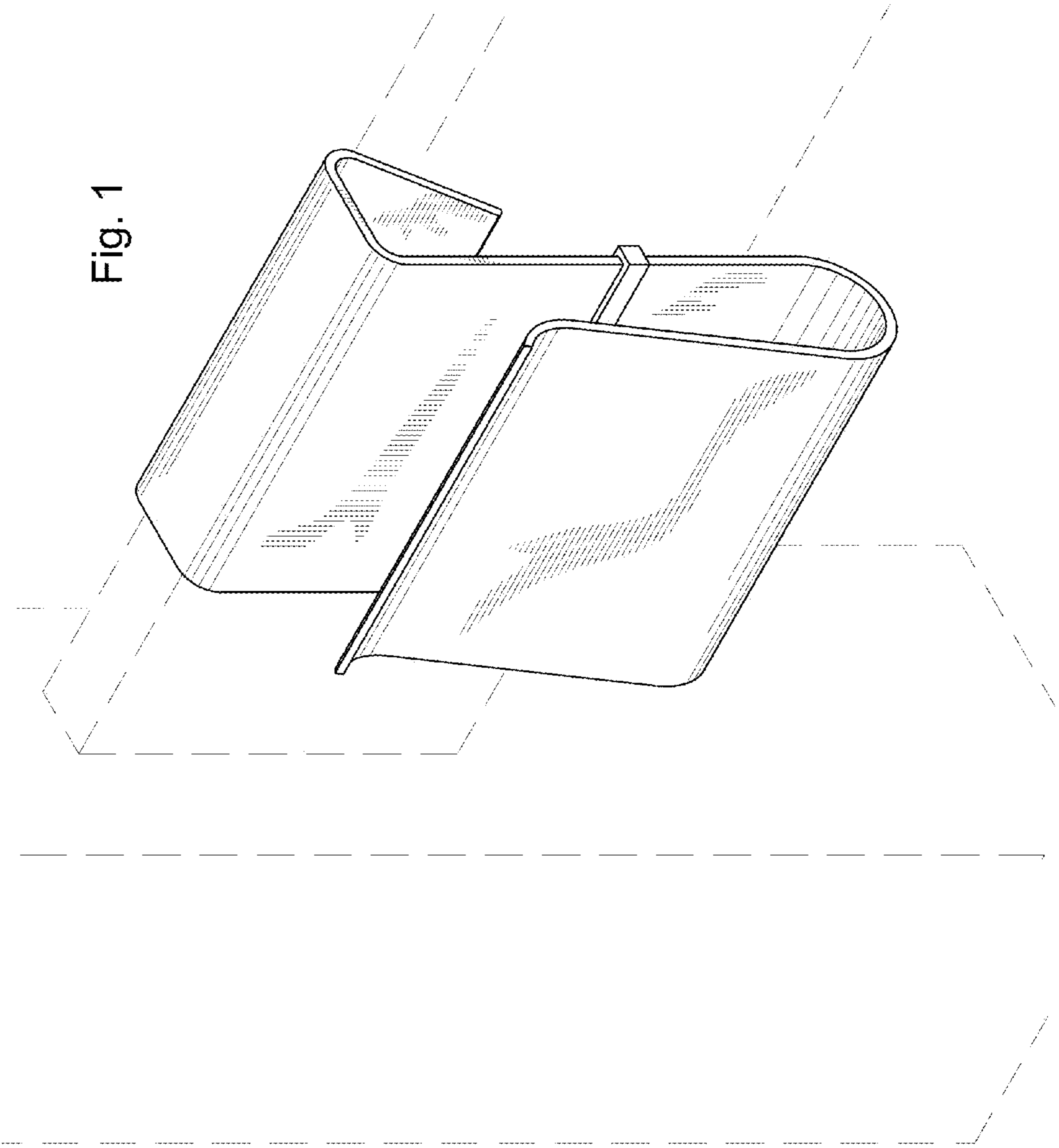


Fig. 2

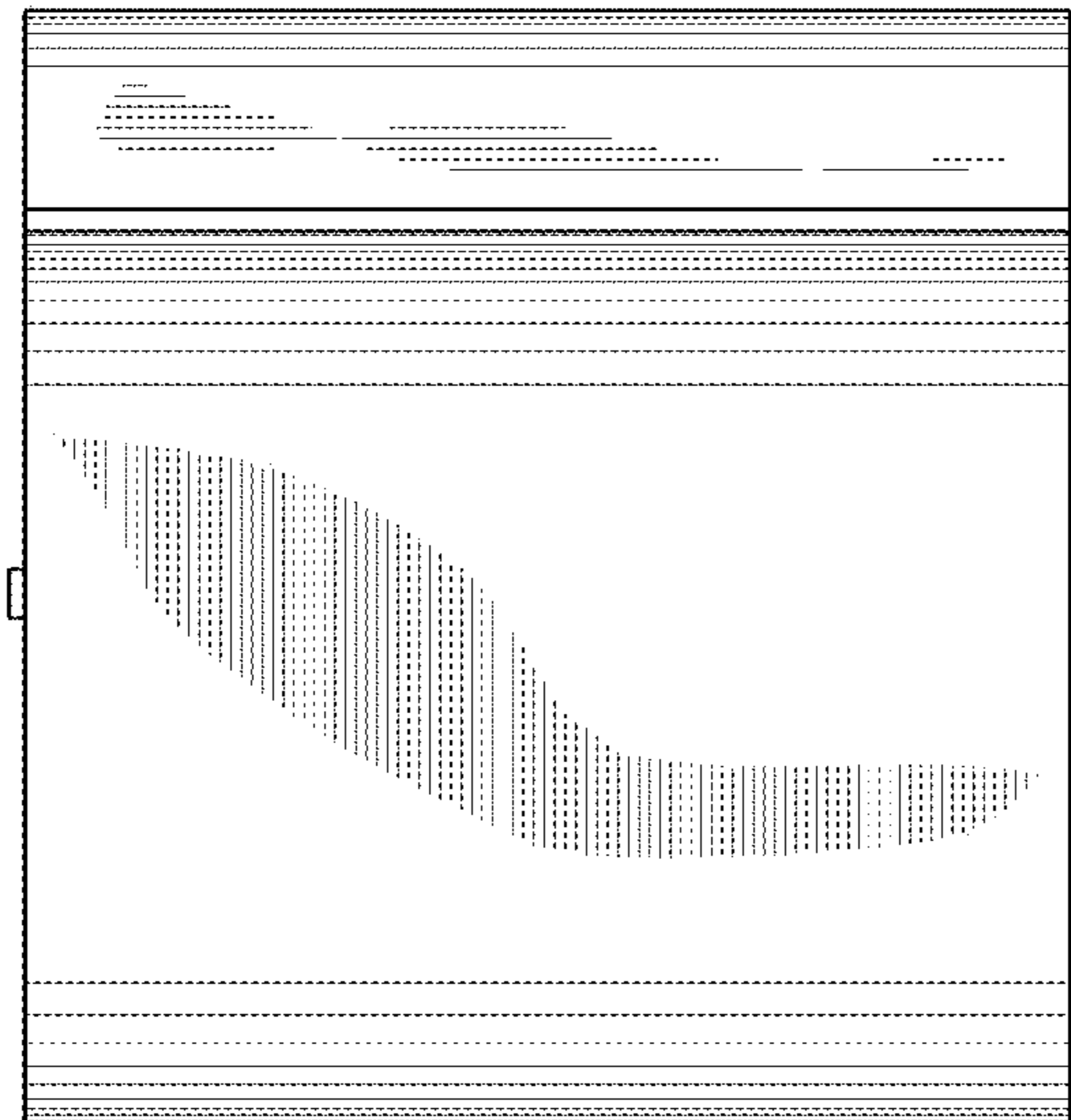


Fig. 3

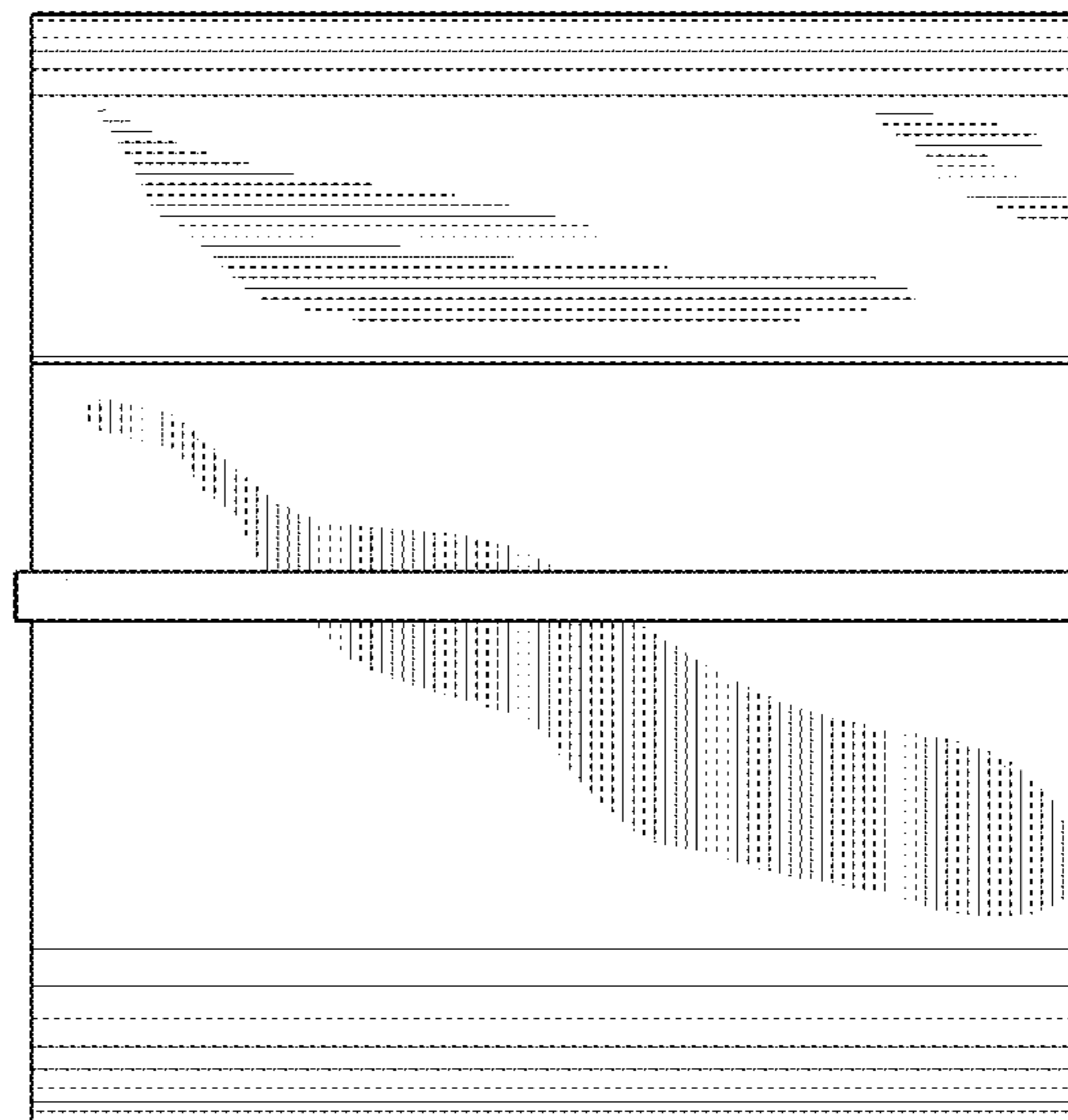


Fig. 4

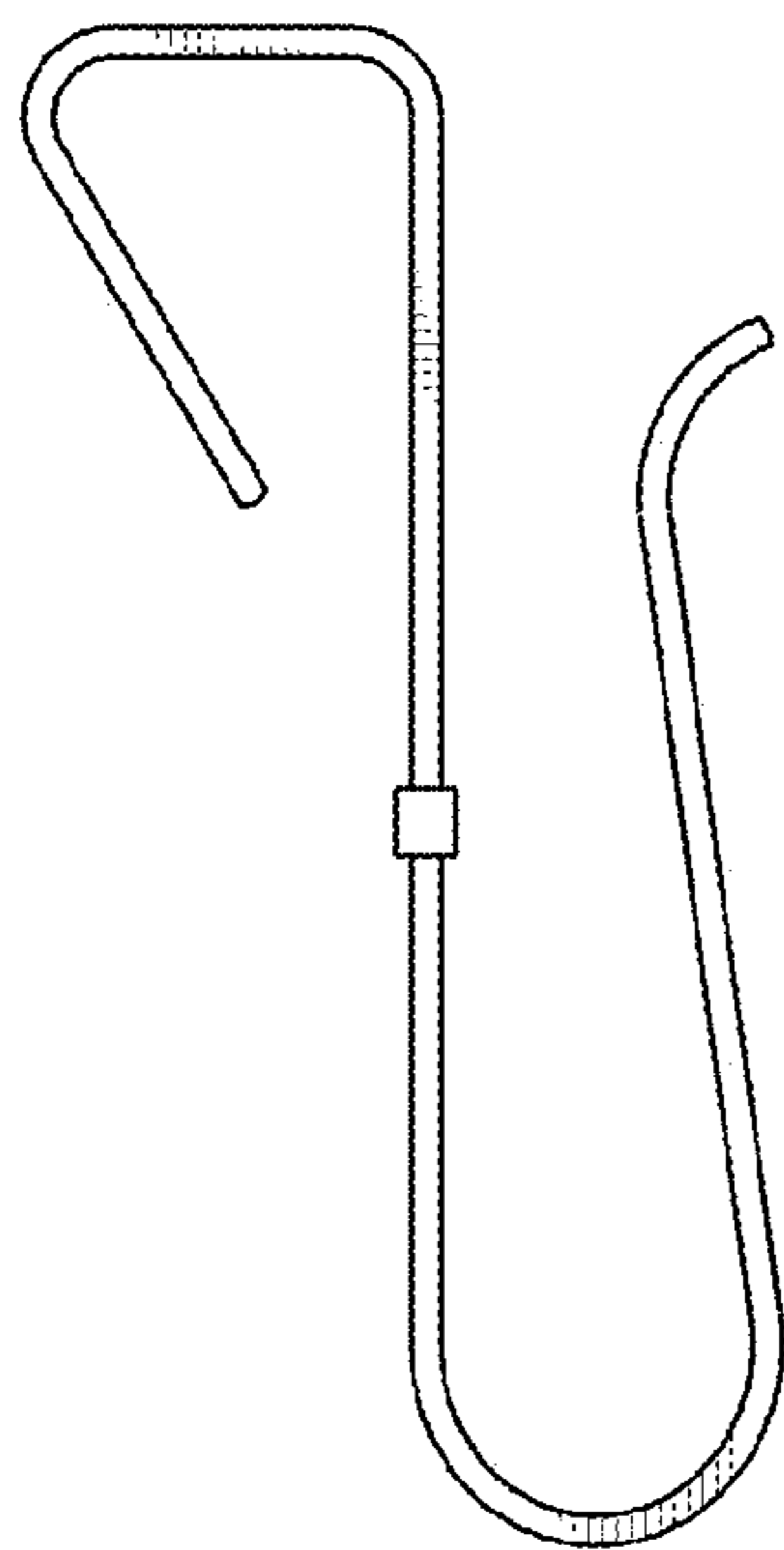


Fig. 5

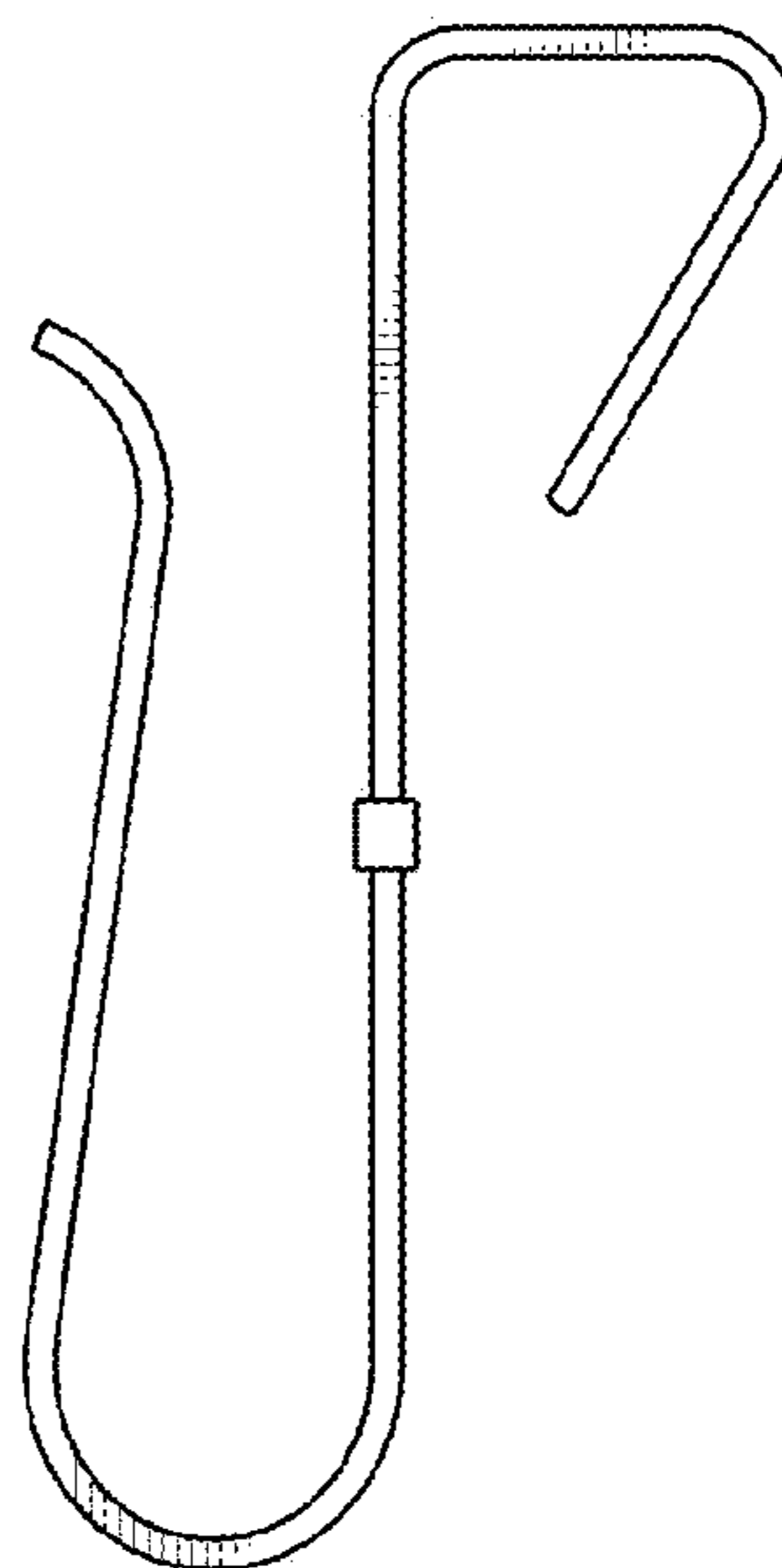


Fig. 6

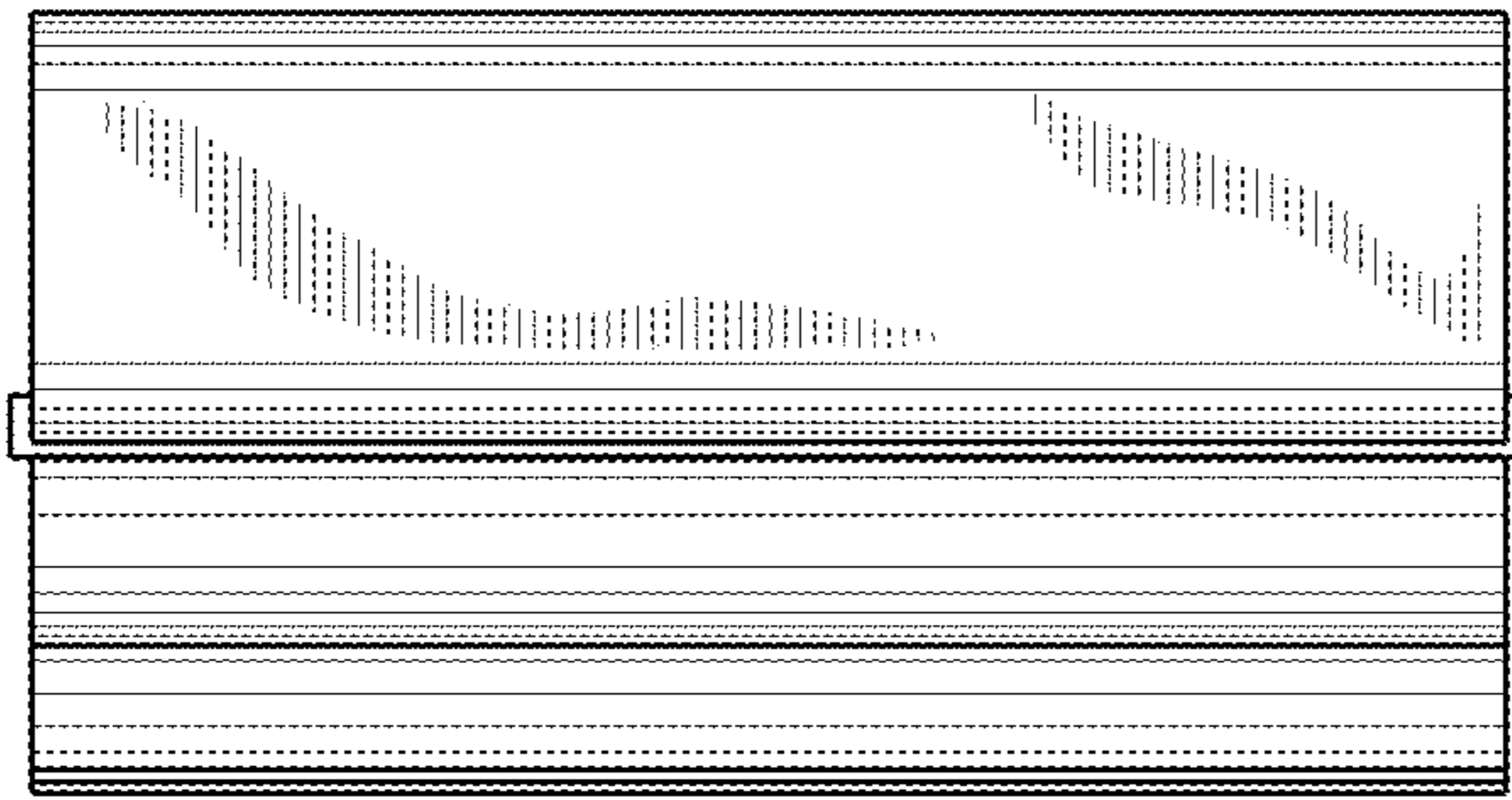


Fig. 7

