



US00D727647S

(12) **United States Design Patent**
Sorel

(10) **Patent No.:** **US D727,647 S**
(45) **Date of Patent:** **** Apr. 28, 2015**

(54) **BENCH**

(71) Applicant: **Landscape Forms, Inc.**, Kalamazoo, MI
(US)

(72) Inventor: **Jess Allen Sorel**, Oakland, CA (US)

(73) Assignee: **Landscape Forms, Inc.**, Kalamazoo, MI
(US)

(**) Term: **14 Years**

(21) Appl. No.: **29/478,285**

(22) Filed: **Jan. 3, 2014**

(51) **LOC (10) Cl.** **06-01**

(52) **U.S. Cl.**
USPC **D6/371**

(58) **Field of Classification Search**
CPC A47C 1/00; A47C 4/02; A47C 4/03;
A47C 4/021; A47C 4/025
USPC D6/334-336, 368, 371, 372, 373, 374,
D6/375, 381, 716, 716.1, 716.4

See application file for complete search history.

(56) **References Cited**

U.S. PATENT DOCUMENTS

D225,798 S *	1/1973	Torrey	D6/375
D238,633 S *	2/1976	Hunter	D6/371
D251,641 S *	4/1979	Chacon	D6/371
5,263,766 A *	11/1993	McCullough	A47C 4/021
D360,995 S *	8/1995	Pedersen	D6/371
D490,996 S *	6/2004	Weiss et al.	D6/381
D652,225 S *	1/2012	Andersen	D6/373
D652,226 S *	1/2012	Andersen	D6/373

* cited by examiner

Primary Examiner — Mimosa De

(74) *Attorney, Agent, or Firm* — Heslin Rothenberg Farley & Mesiti P.C.

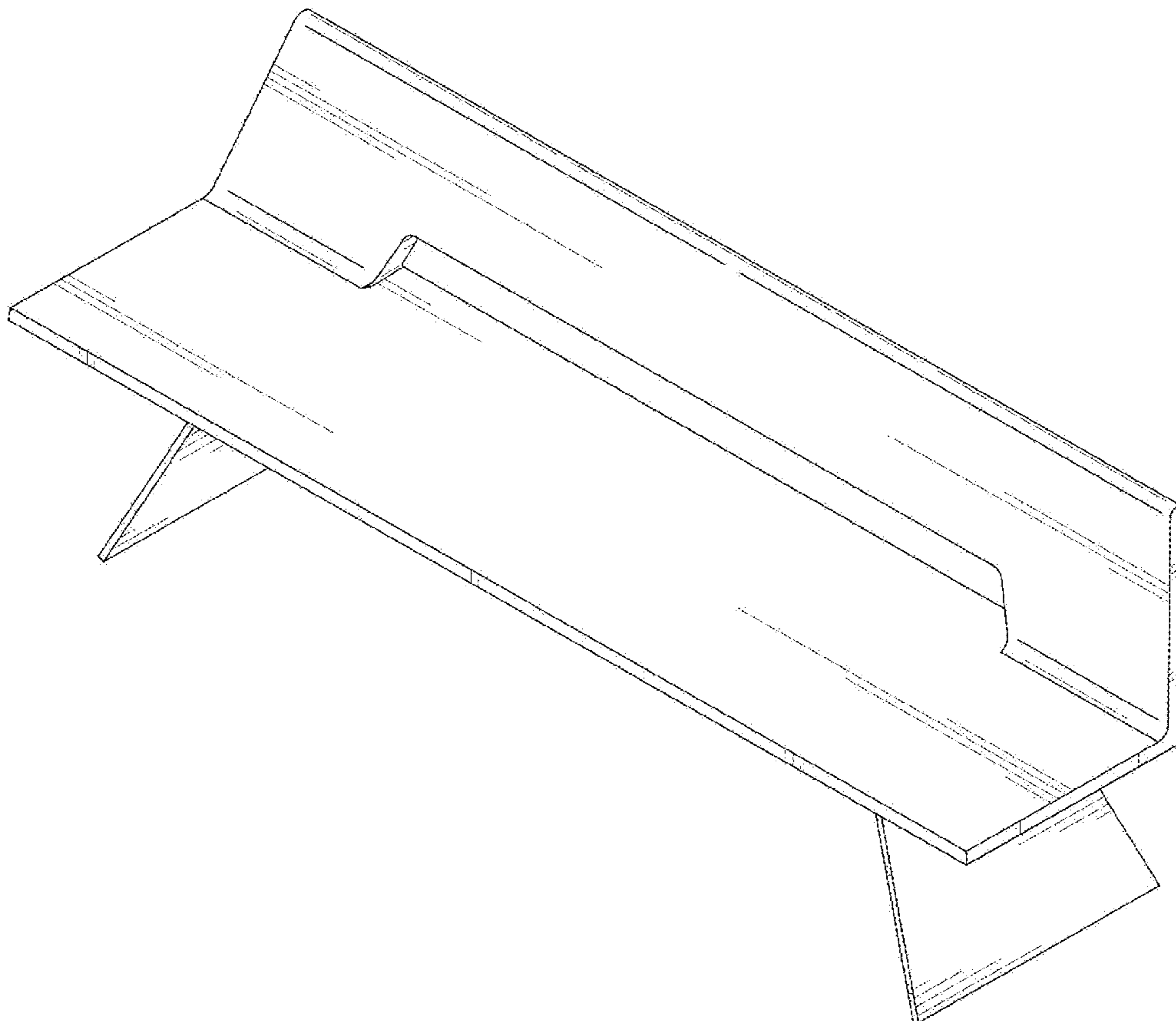
(57) **CLAIM**

The ornamental design for a bench, as shown and described.

DESCRIPTION

FIG. 1 is a front perspective view of the bench of the present invention;
FIG. 2 is a front elevation view thereof;
FIG. 3 is a right side elevation view thereof, the left side elevation view being a mirror image thereof;
FIG. 4 is a rear elevation view thereof; and,
FIG. 5 is a top plan view thereof.

1 Claim, 5 Drawing Sheets



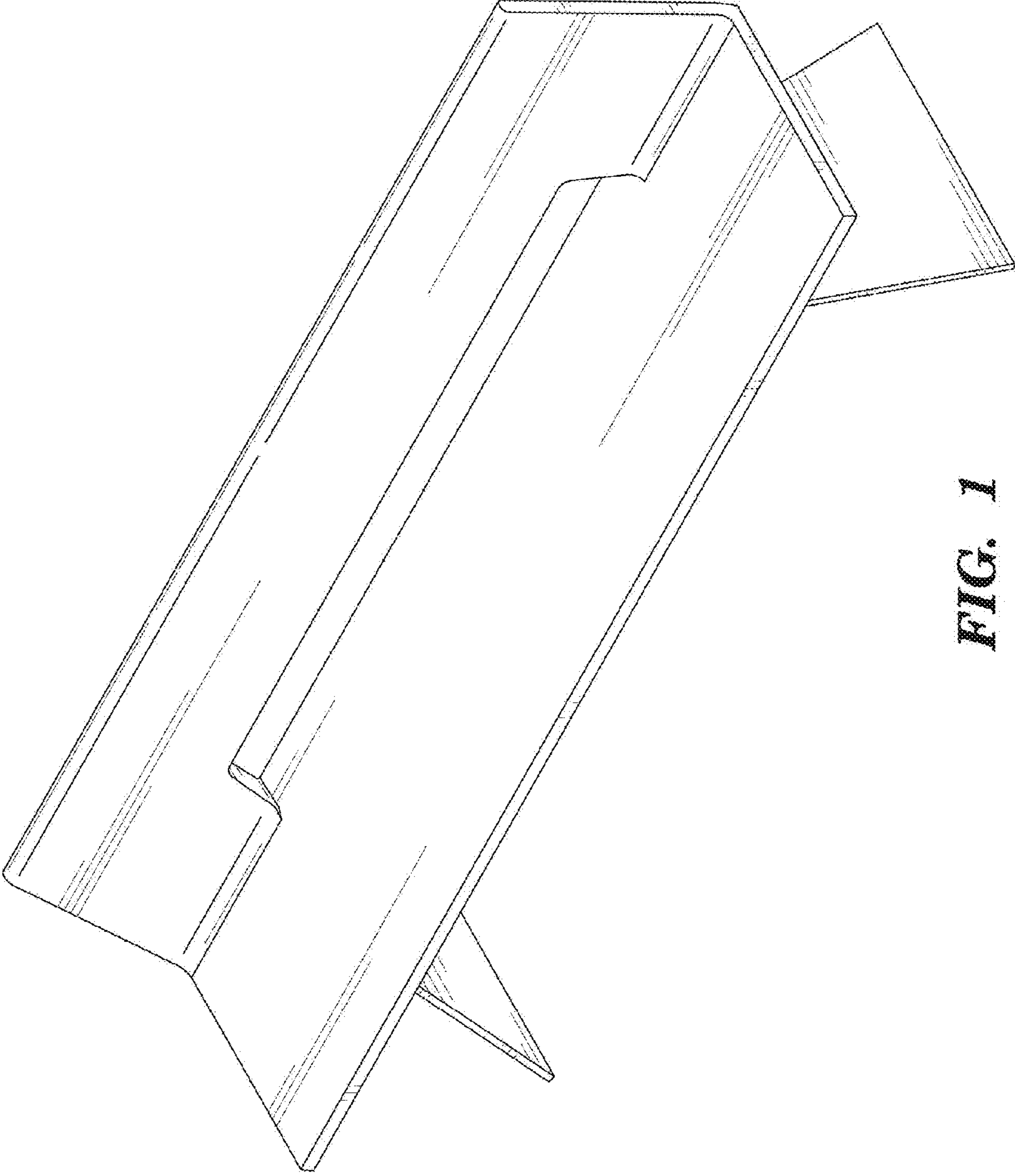


FIG. 1

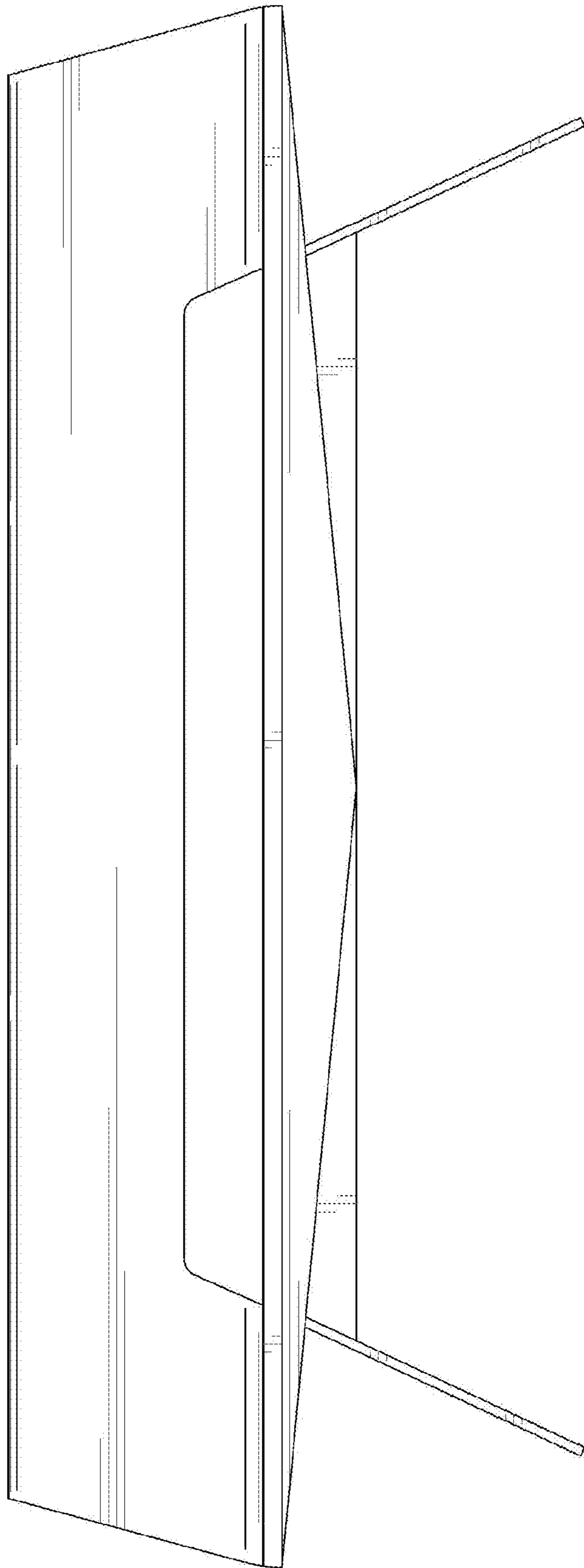


FIG. 2

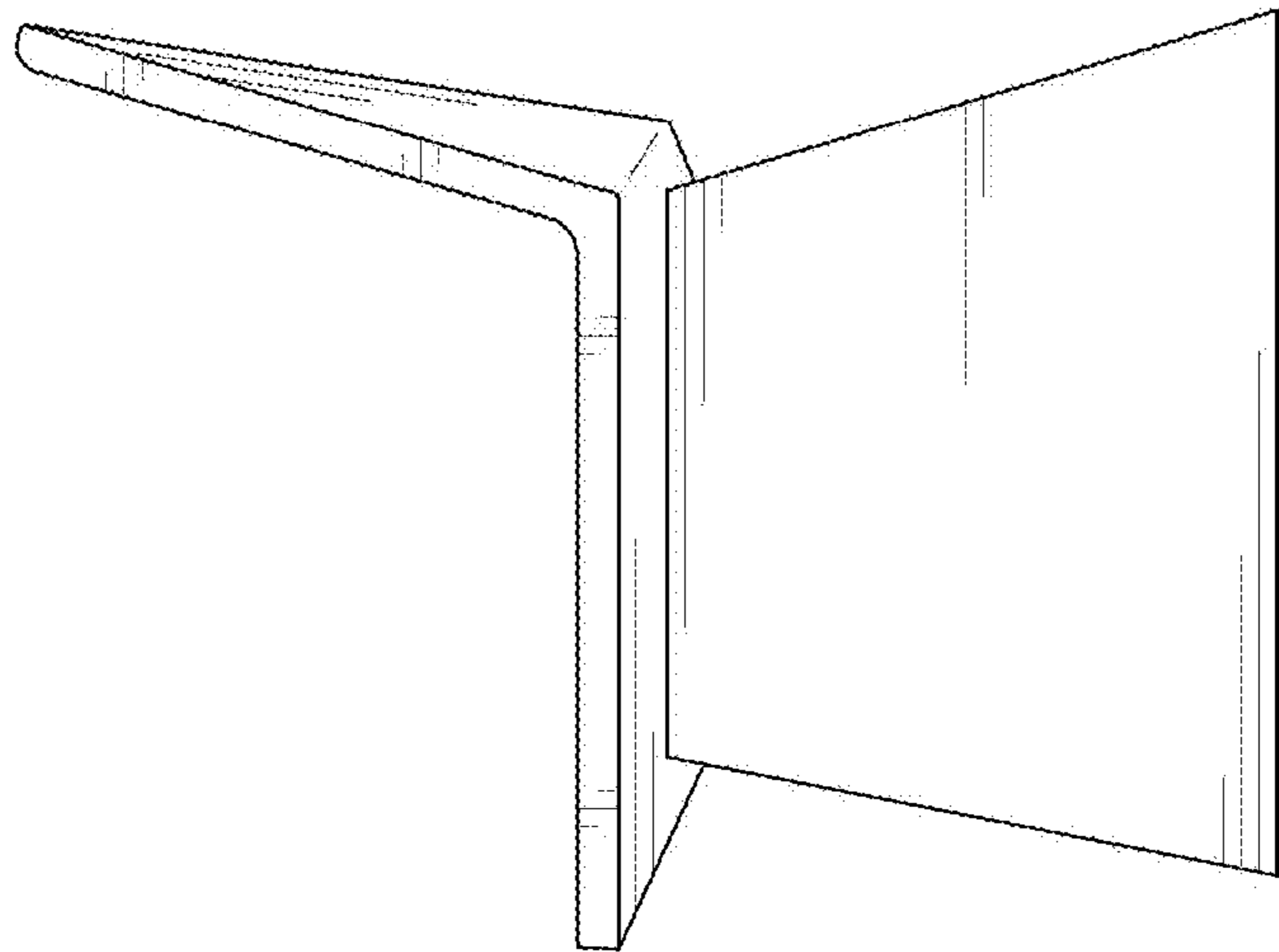


FIG. 3

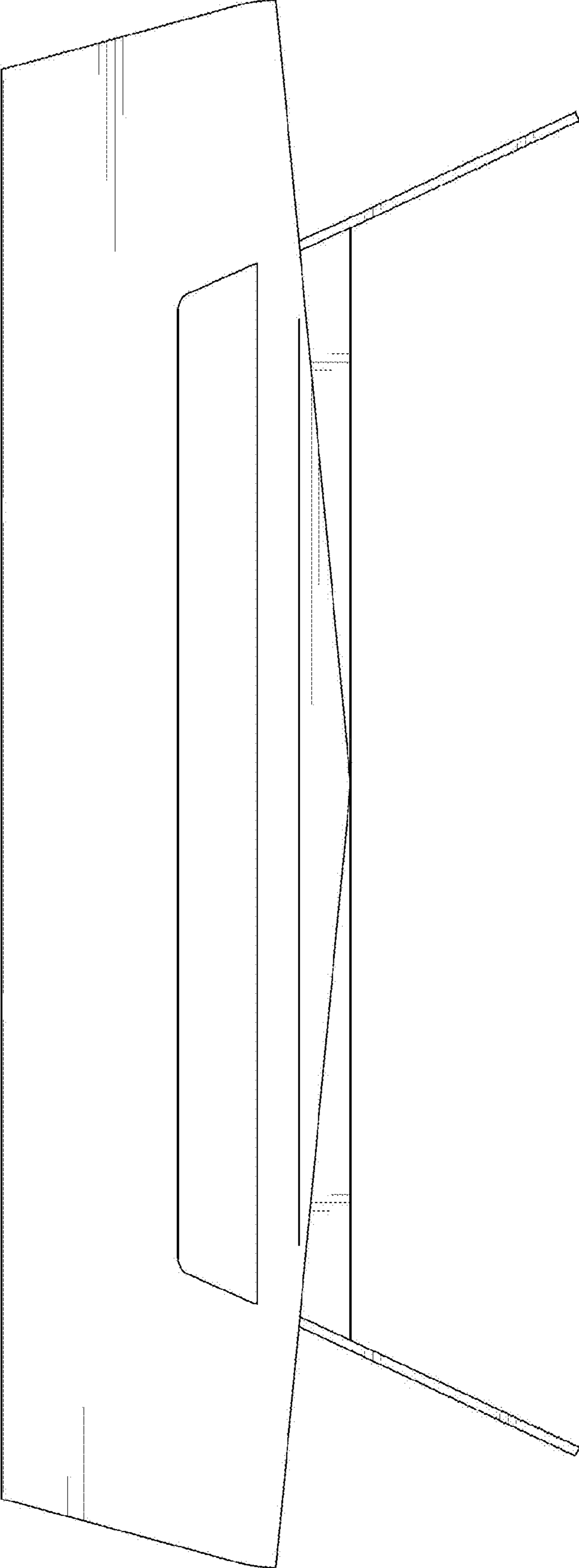


FIG. 4

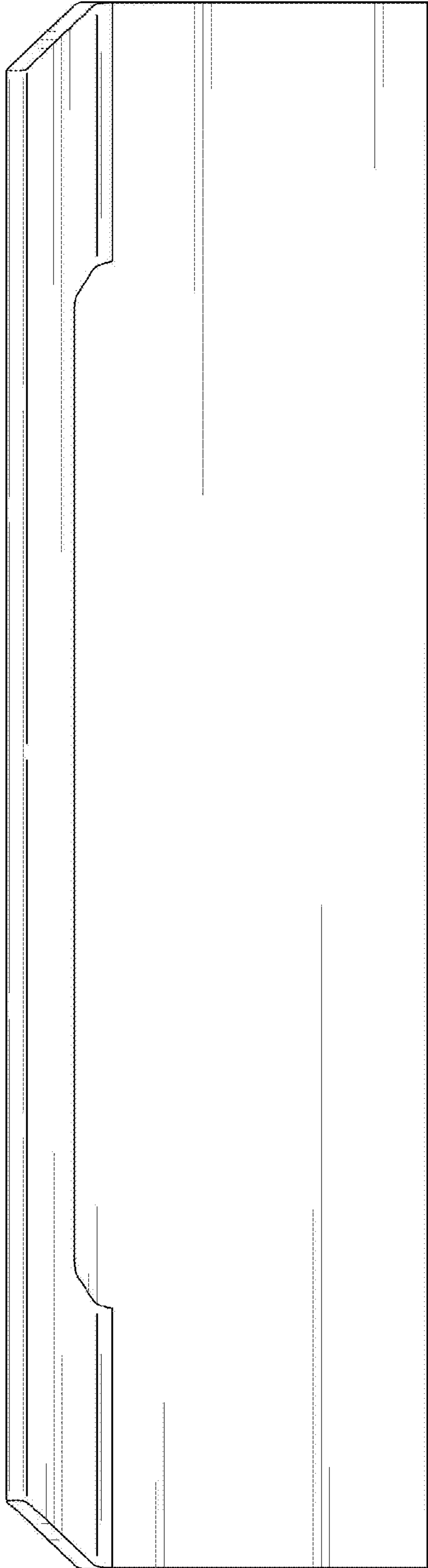


FIG. 5