



US00D727642S

(12) **United States Design Patent Mark**

(10) **Patent No.:** US D727,642 S
(45) **Date of Patent:** ** Apr. 28, 2015

(54) **FURNITURE HAVING SUPPORT LEGS AND A SUPPORT SURFACE**

(71) Applicant: **Harald W. Mark**, Lindenfels (DE)

(72) Inventor: **Harald W. Mark**, Lindenfels (DE)

(**) Term: **14 Years**

(21) Appl. No.: **29/432,712**

(22) Filed: **Sep. 19, 2012**

(30) **Foreign Application Priority Data**

Sep. 14, 2012 (DE) 40 2012 100 781

(51) **LOC (10) Cl.** **06-01**

(52) **U.S. Cl.**
USPC **D6/349**; D6/688.1

(58) **Field of Classification Search**
CPC A47C 1/14; A47C 3/16-3/20; A47C 4/00;
A47C 4/28; A47C 5/02; A47C 7/02; A47C
9/00; A47C 9/02; A47C 9/002; A47C 9/007;
A47C 9/025; A47C 11/00; A47C 12/00;
A47C 13/00; A47C 16/02
USPC D6/335, 340, 344, 347, 349-355, 358,
D6/360, 363-373, 381, 685, 687, 688, 690,
D6/691-691.6, 692, 692.4, 694, 703.15,
D6/708.21, 708.22, 709.22, 716-716.7,
D6/717

See application file for complete search history.

(56) **References Cited**

U.S. PATENT DOCUMENTS

476,805	A *	6/1892	Mason	297/461
517,929	A *	4/1894	March	297/461
549,457	A *	11/1895	Morgan	297/461
1,157,795	A *	10/1915	Mix	297/461
1,172,439	A *	2/1916	Crozier	297/461
1,188,500	A *	6/1916	Simmons	297/461
1,284,377	A *	11/1918	Leigh	297/461
D167,125	S *	6/1952	Tuttle	D6/352
D309,681	S *	8/1990	Solomon et al.	D6/351
D360,548	S *	7/1995	Laske	D6/480
D361,457	S *	8/1995	Laske	D6/480

D361,458	S *	8/1995	Laske	D6/480
D375,855	S *	11/1996	Marx	D6/502
6,047,931	A *	4/2000	Flanagan et al.	248/127
D425,352	S *	5/2000	Paskan	D6/552
D432,802	S *	10/2000	Taylor et al.	D6/351
D546,084	S *	7/2007	Lenardi et al.	D6/358
D623,437	S *	9/2010	Dively et al.	D6/451
D649,816	S *	12/2011	Hassman	D6/502
D661,923	S *	6/2012	McCracken	D6/488

OTHER PUBLICATIONS

Homemade Christmas #5 Baseball Bat Night Stand. [online]
Retrieved Jun. 10, 2014 from URL: <<http://www.atobeingcreations.com/2011/12/homemade-christmas-5-baseball-bat-night.html> 1/>.*

* cited by examiner

Primary Examiner — Susan Bennett Hattan

Assistant Examiner — Vy Koenig

(74) *Attorney, Agent, or Firm* — Kaplan Breyer Schwarz & Ottesen, LLP.

(57) **CLAIM**

The ornamental design for furniture having support legs and a support surface, as shown and described.

DESCRIPTION

FIG. 1 is a top three-quarters perspective view of a first embodiment of a design for furniture having support legs and a support surface.

FIG. 2 is a bottom three-quarters perspective view of the first embodiment of a design for furniture having support legs and a support surface.

FIG. 3 is a bottom view of the first embodiment of a design for furniture having support legs and a support surface.

FIG. 4 is a top view of the first embodiment of a design for furniture having support legs and a support surface.

FIG. 5 is a front side view of the first embodiment of a design for furniture having support legs and a support surface.

FIG. 6 is a back side view of the first embodiment of a design for furniture having support legs and a support surface.

FIG. 7 is a right side view of the first embodiment of a design for furniture having support legs and a support surface.

FIG. 8 is a left side view of the first embodiment of a design for furniture having support legs and a support surface.

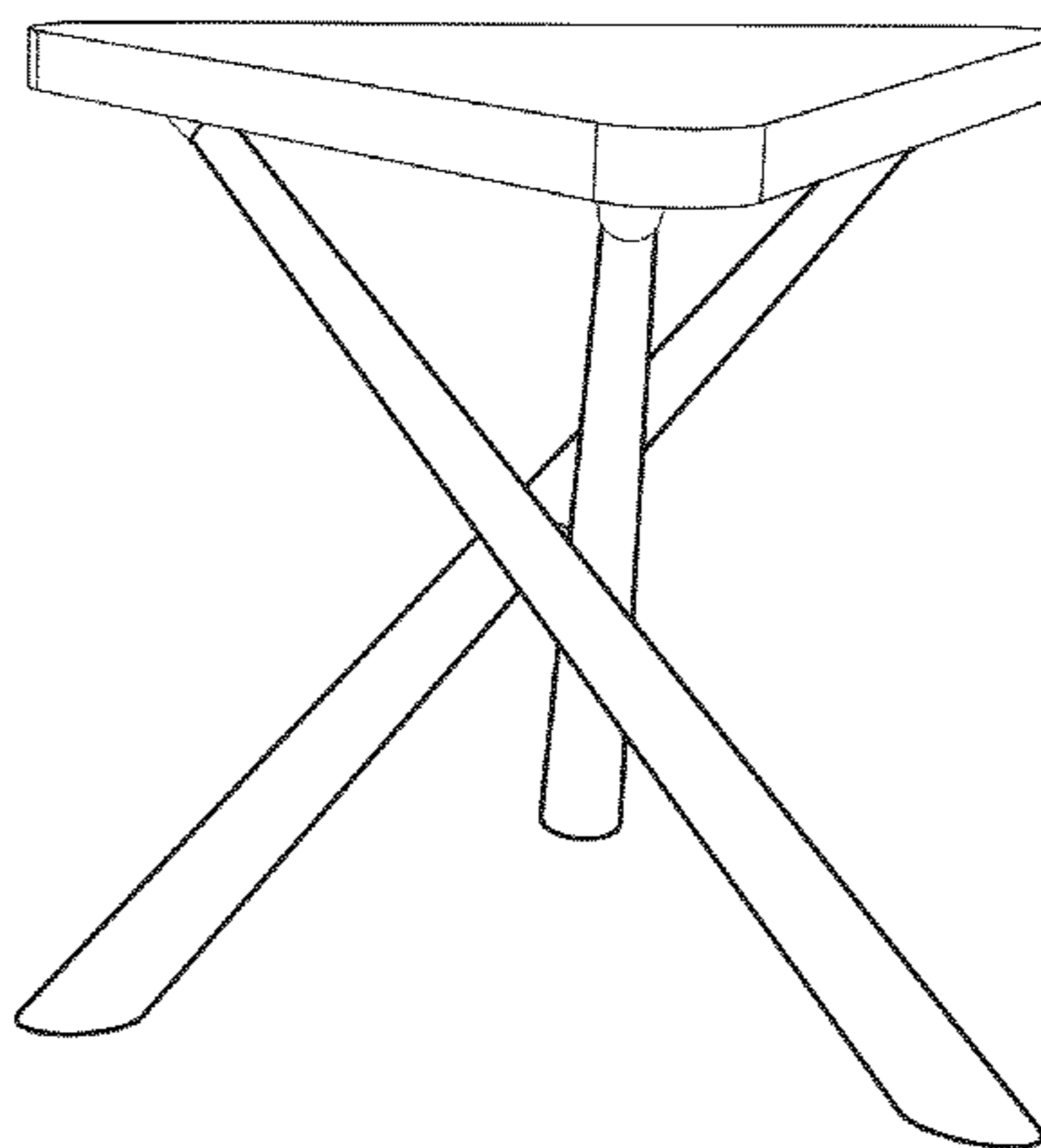
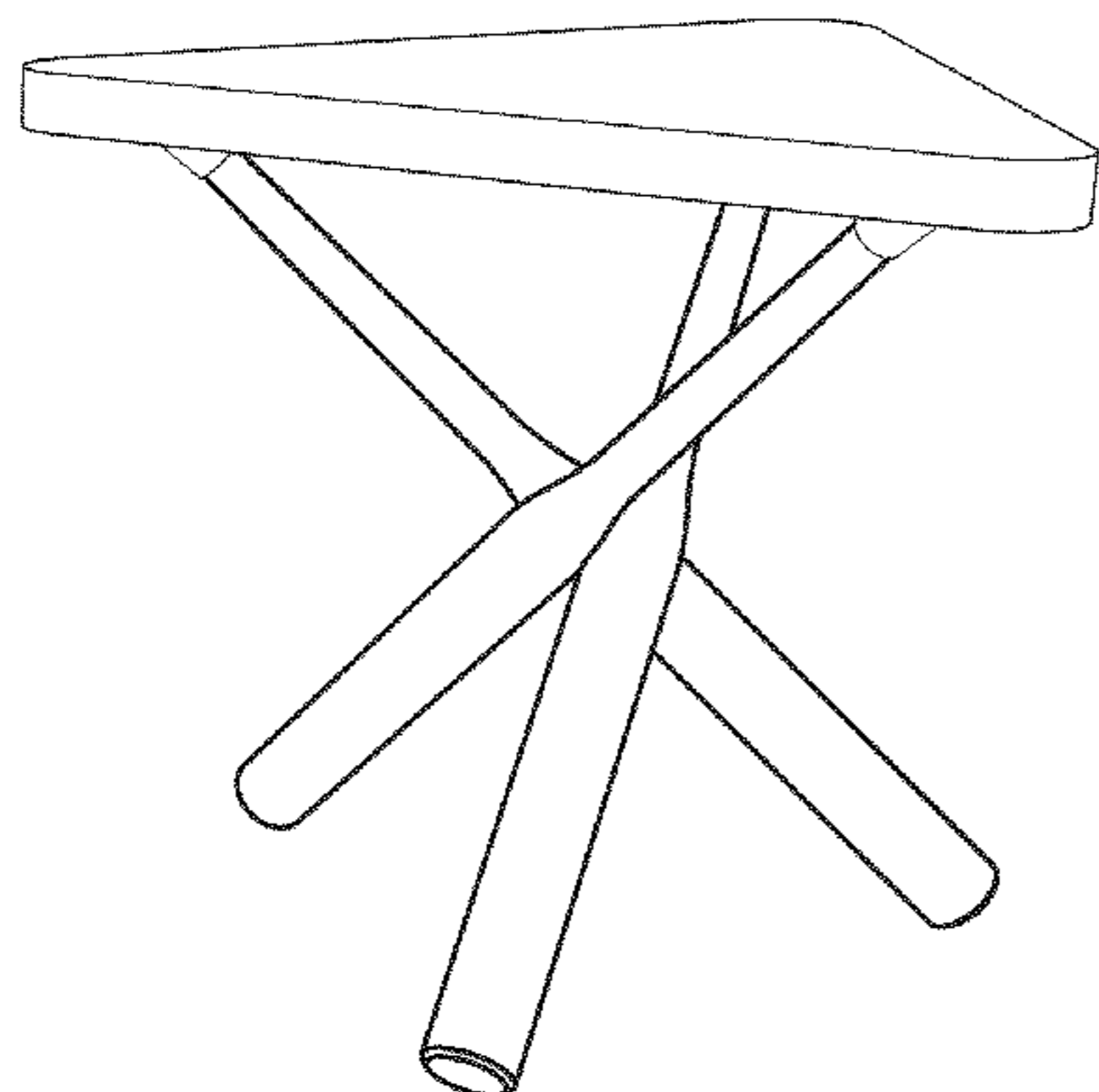


FIG. 9 is a top three-quarters perspective view of a second embodiment of a design for furniture having support legs and a support surface.

FIG. 10 is a bottom three-quarters perspective view of the second embodiment of a design for furniture having support legs and a support surface.

FIG. 11 is a bottom view of the second embodiment of a design for furniture having support legs and a support surface.

FIG. 12 is a top view of the second embodiment of a design for furniture having support legs and a support surface.

FIG. 13 is a front side view of the second embodiment of a design for furniture having support legs and a support surface.

FIG. 14 is a back side view of the second embodiment of a design for furniture having support legs and a support surface.

FIG. 15 is a right side view of the second embodiment of a design for furniture having support legs and a support surface.

FIG. 16 is a left side view of the second embodiment of a design for furniture having support legs and a support surface.

FIG. 17 is a bottom three-quarters perspective view of a third embodiment of a design for furniture having support legs and a support surface.

FIG. 18 is a top three-quarters perspective view of the third embodiment of a design for furniture having support legs and a support surface.

FIG. 19 is a bottom view of the third embodiment of a design for furniture having support legs and a support surface.

FIG. 20 is a top view of the third embodiment of a design for furniture having support legs and a support surface.

FIG. 21 is a front side view of the third embodiment of a design for furniture having support legs and a support surface.

FIG. 22 is a back side view of the third embodiment of a design for furniture having support legs and a support surface.

FIG. 23 is a bottom three-quarters perspective view of a fourth embodiment of a design for furniture having support legs and a support surface.

FIG. 24 is a top three-quarters perspective view of the fourth embodiment of a design for furniture having support legs and a support surface.

FIG. 25 is a bottom view of the fourth embodiment of a design for furniture having support legs and a support surface.

FIG. 26 is a top view of the fourth embodiment of a design for furniture having support legs and a support surface.

FIG. 27 is a front side view of the fourth embodiment of a design for furniture having support legs and a support surface.

FIG. 28 is a back side view of the fourth embodiment of a design for furniture having support legs and a support surface.

FIG. 29 is a right side view of the fourth embodiment of a design for furniture having support legs and a support surface; and,

FIG. 30 is a left side view of the fourth embodiment of a design for furniture having support legs and a support surface.

1 Claim, 15 Drawing Sheets

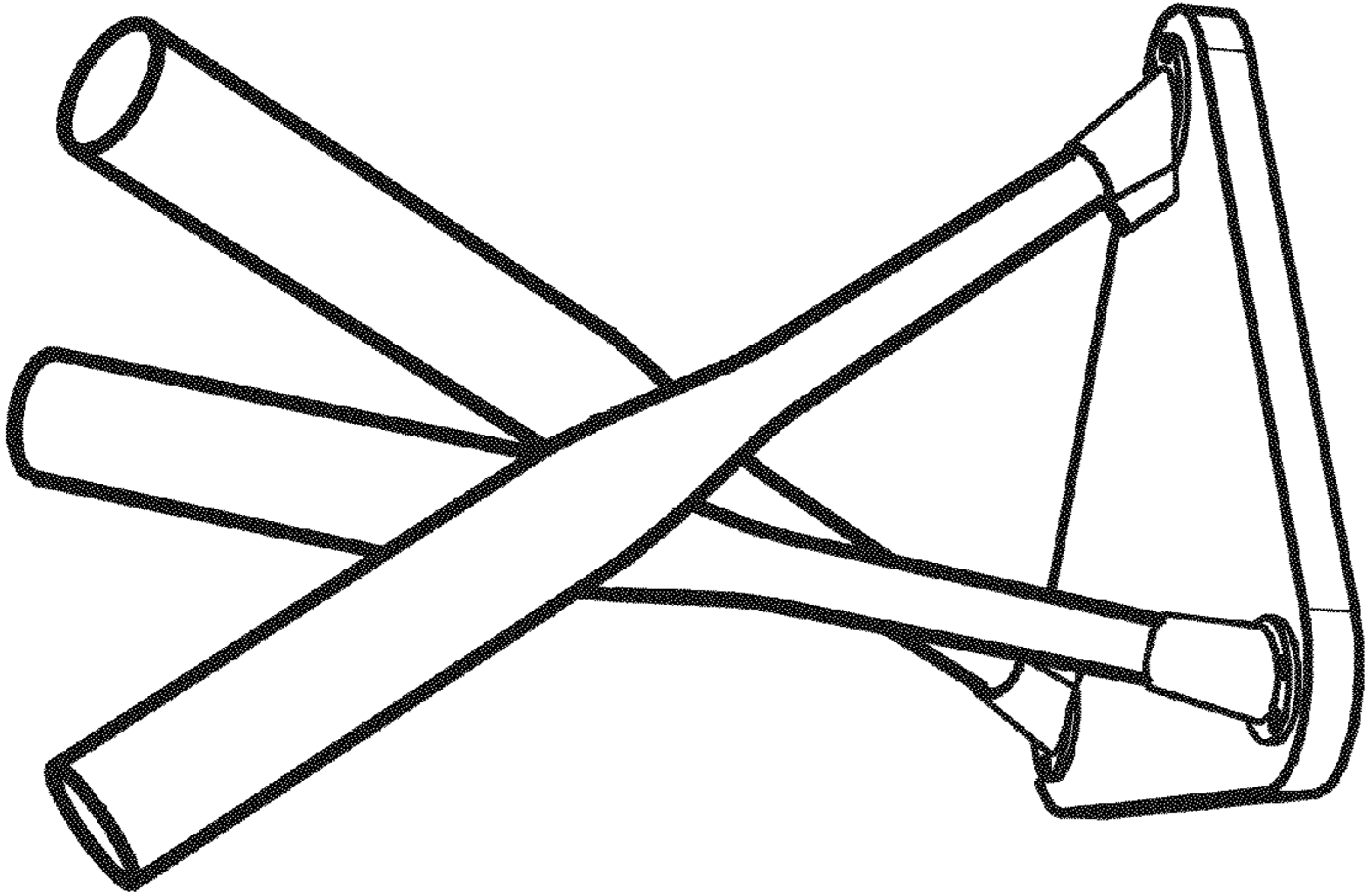


FIG. 2

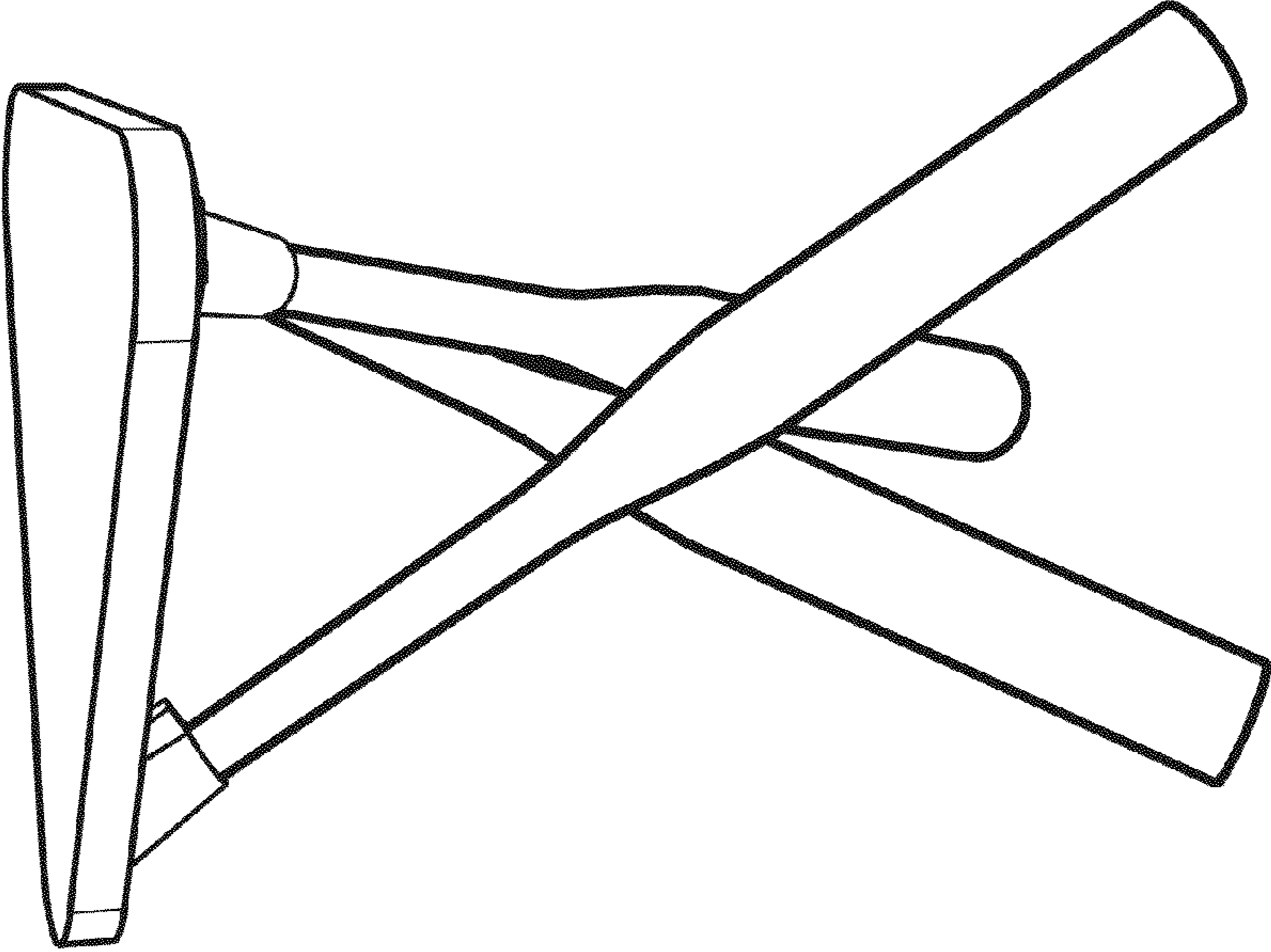


FIG. 1

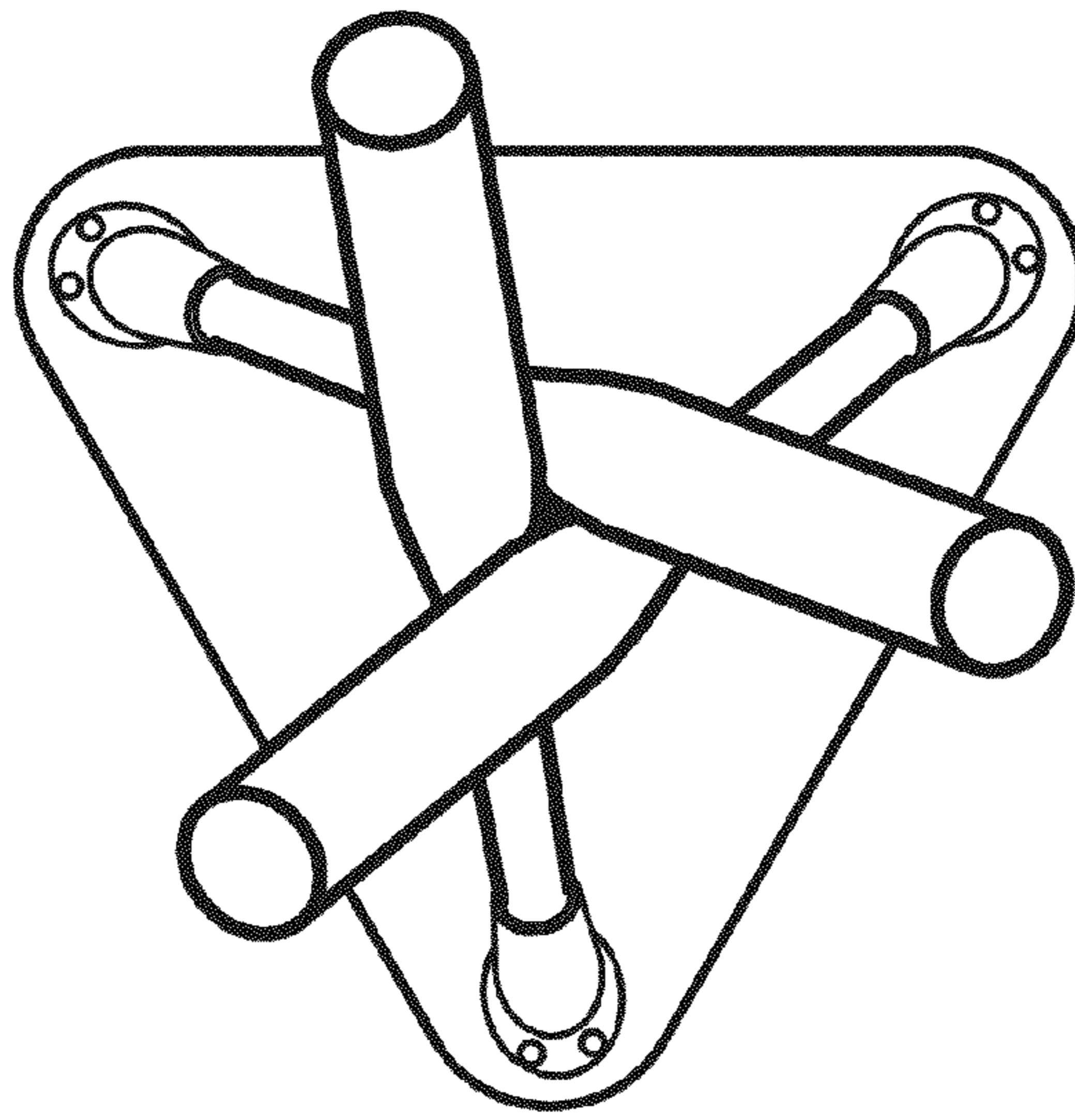


FIG. 3

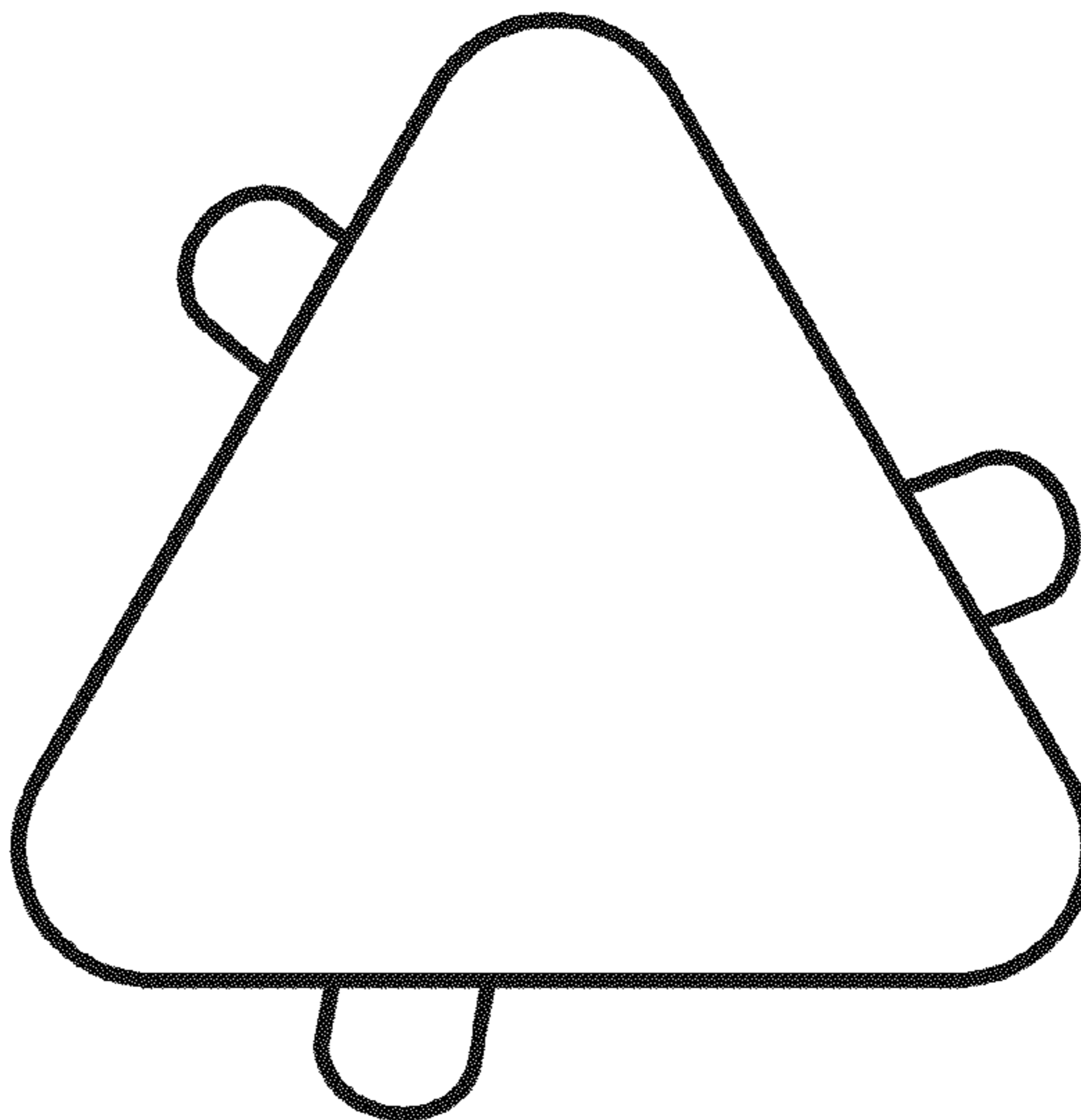


FIG. 4

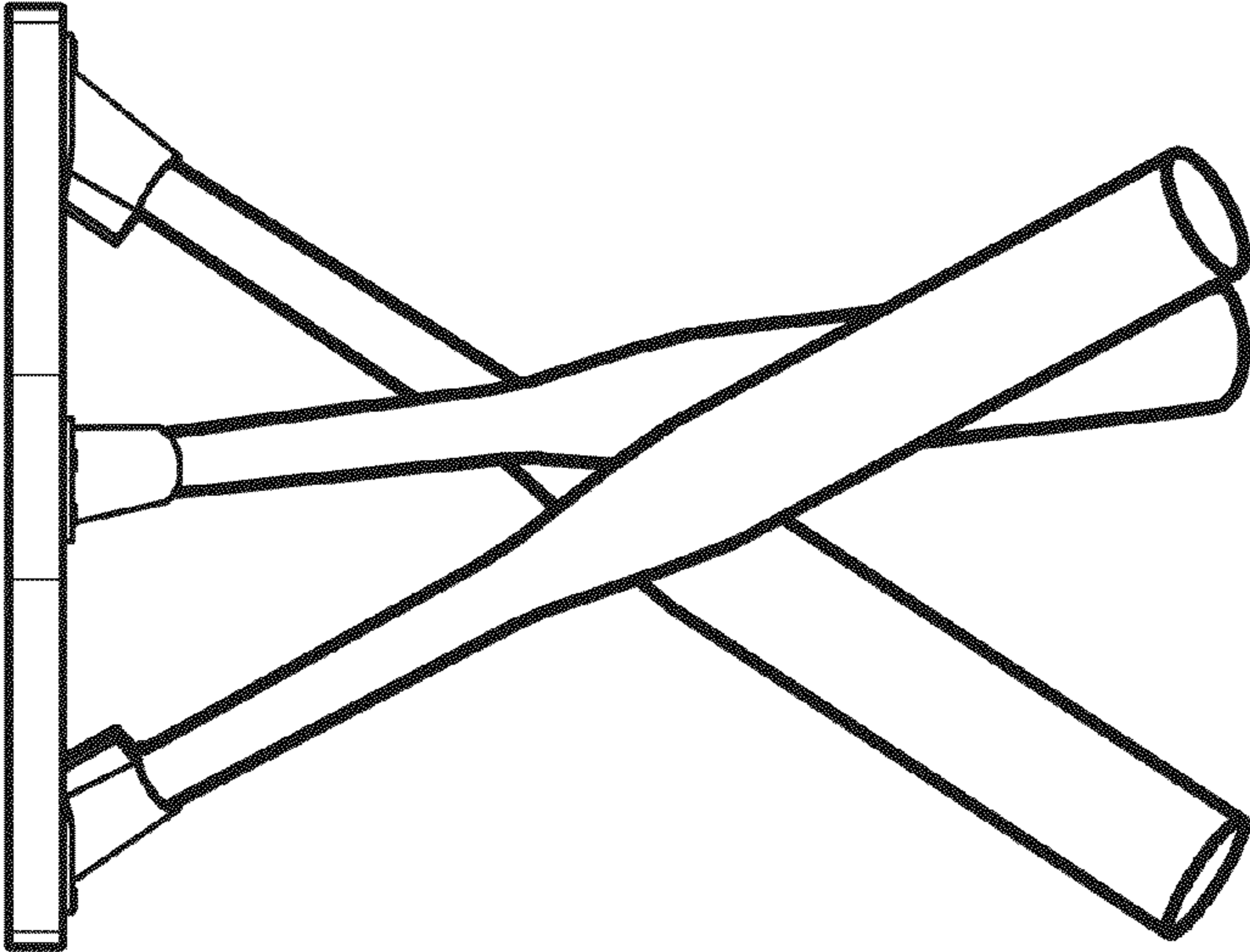


FIG. 6

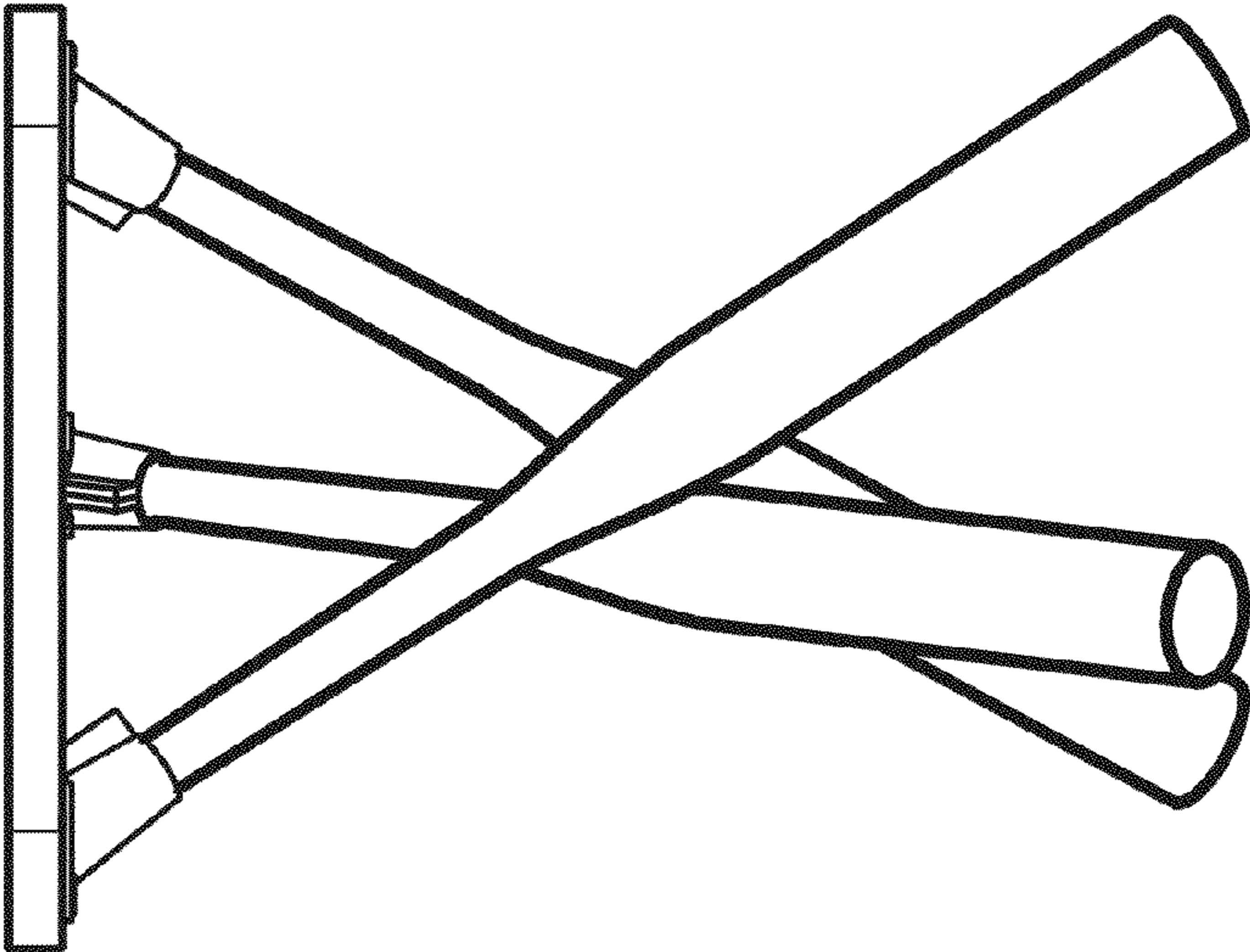


FIG. 5

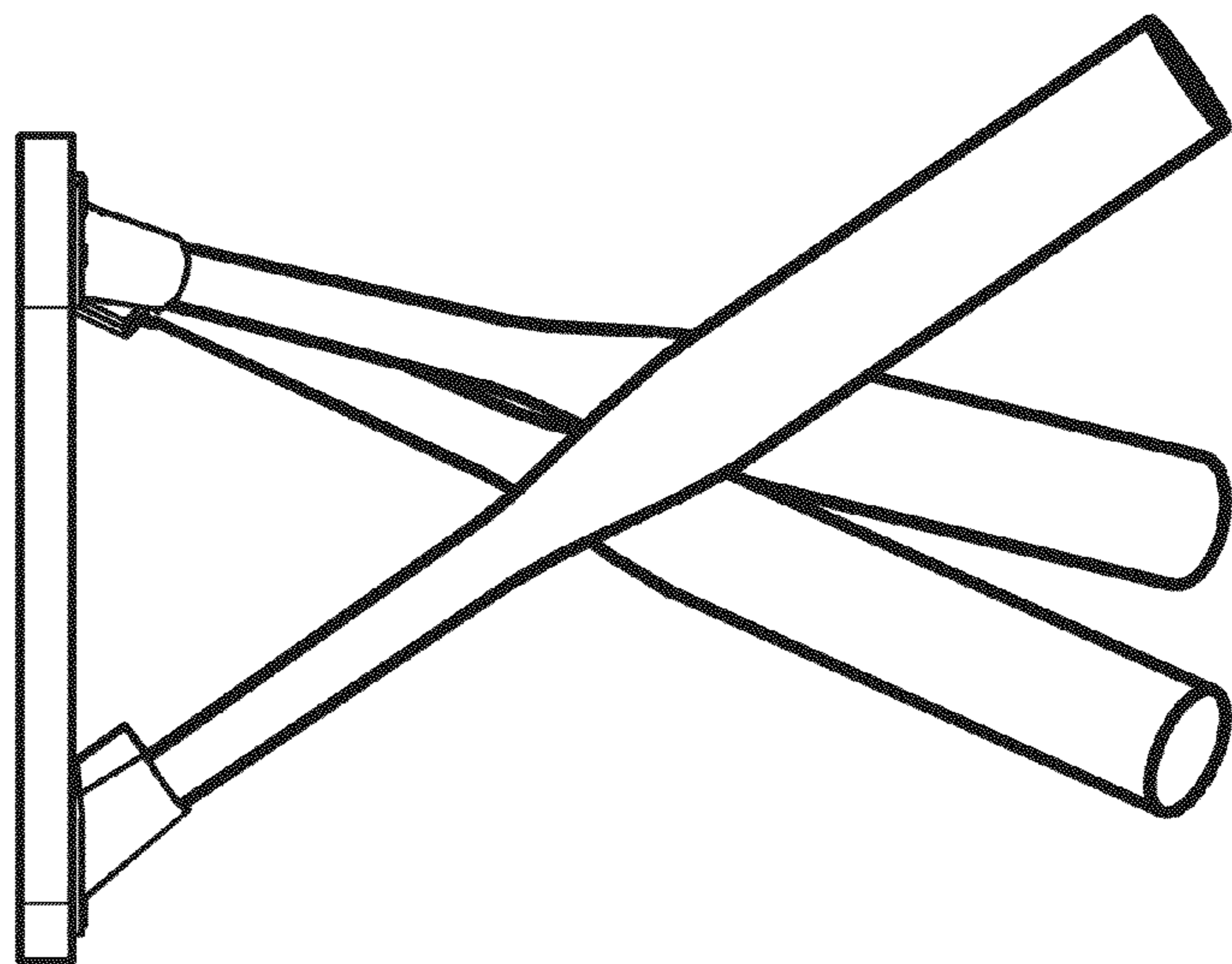


FIG. 8

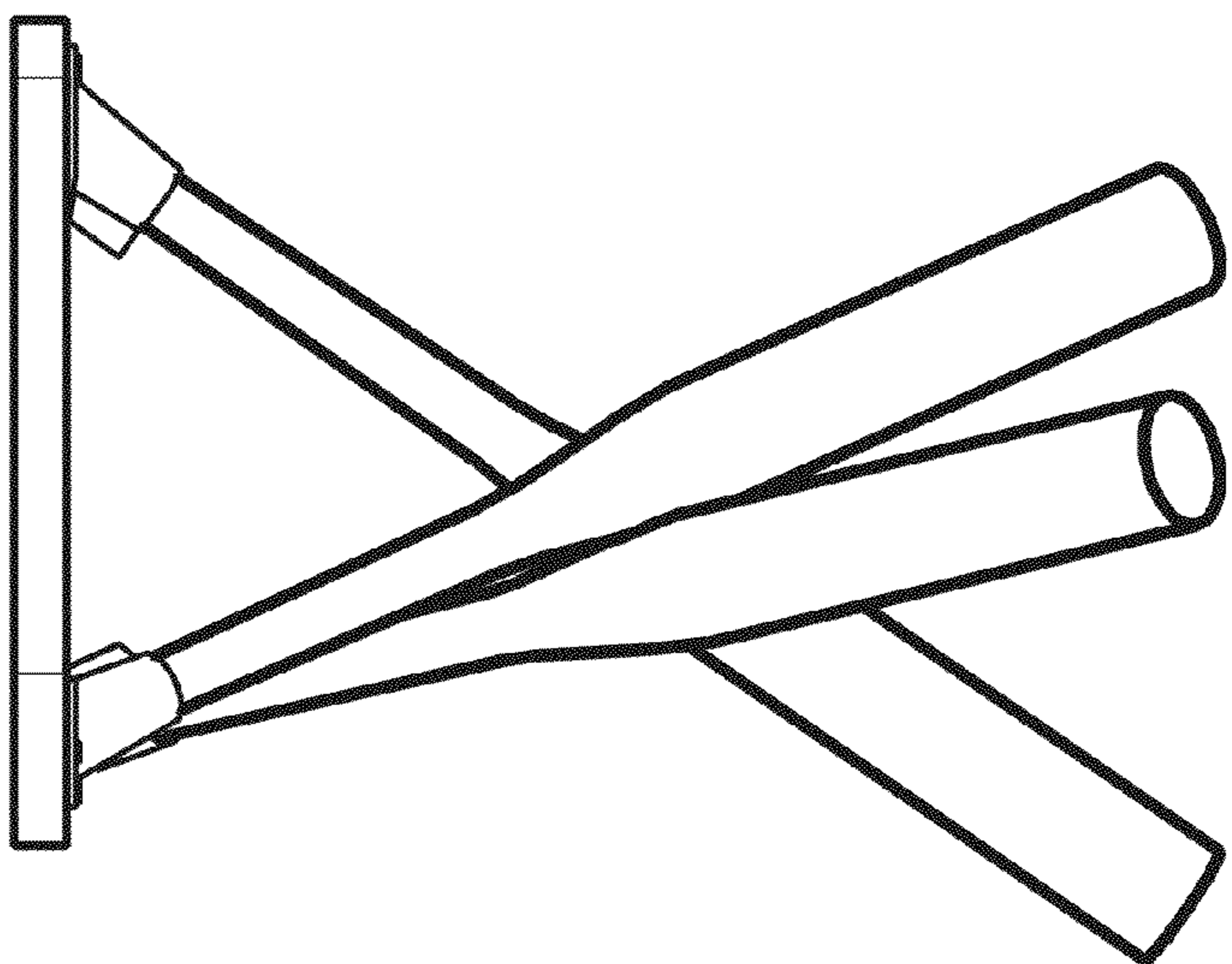


FIG. 7

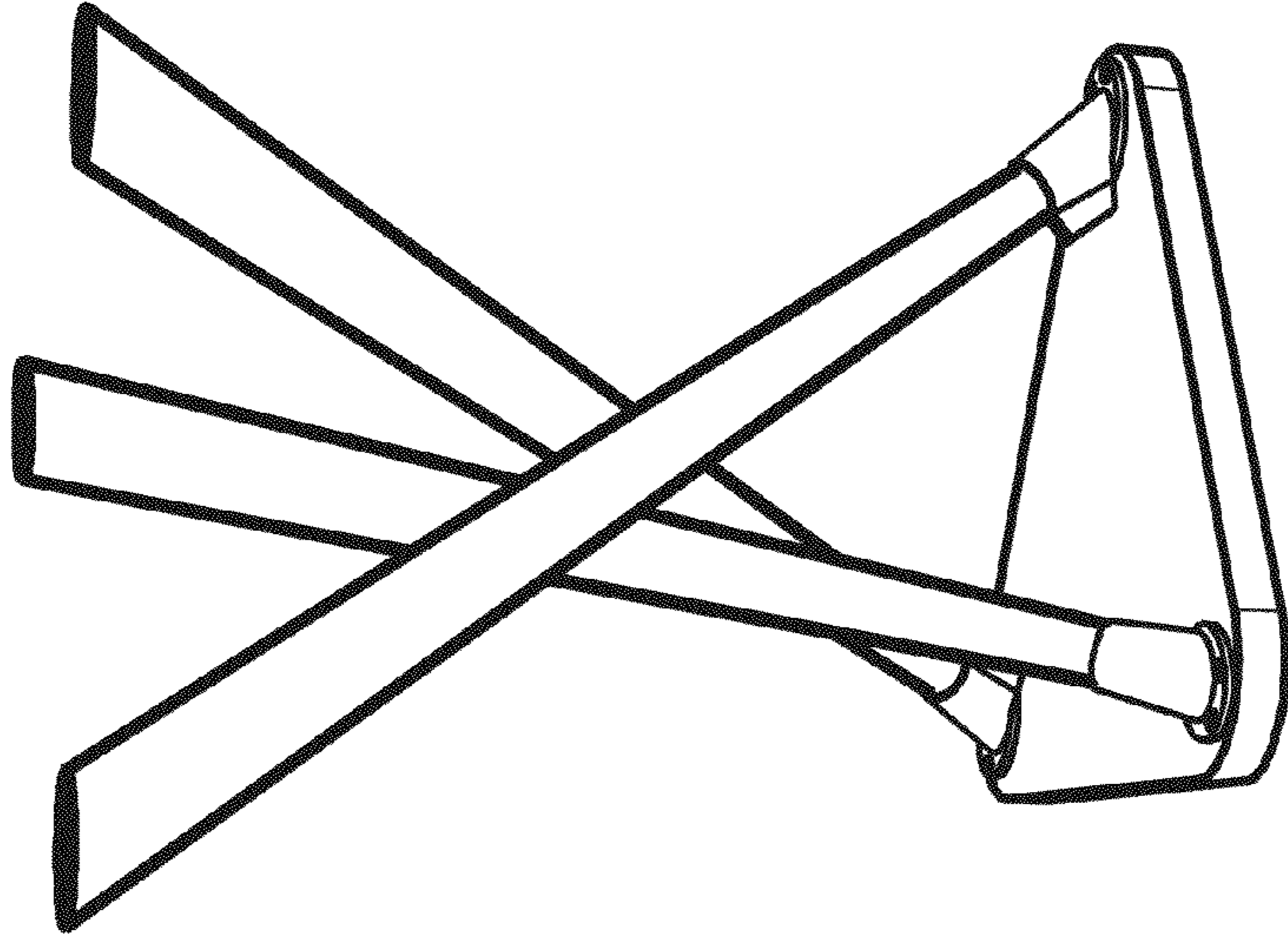


FIG. 10

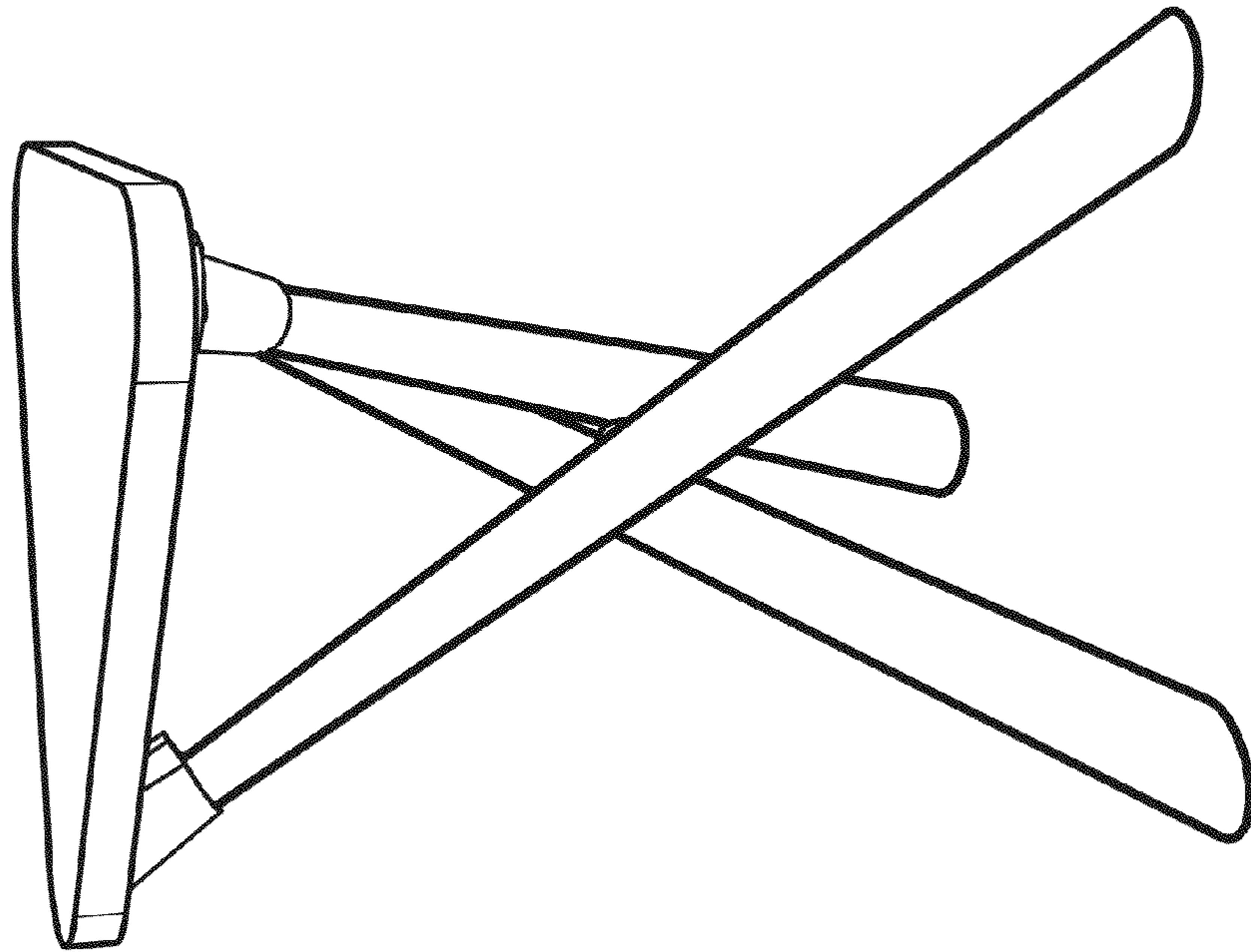


FIG. 9

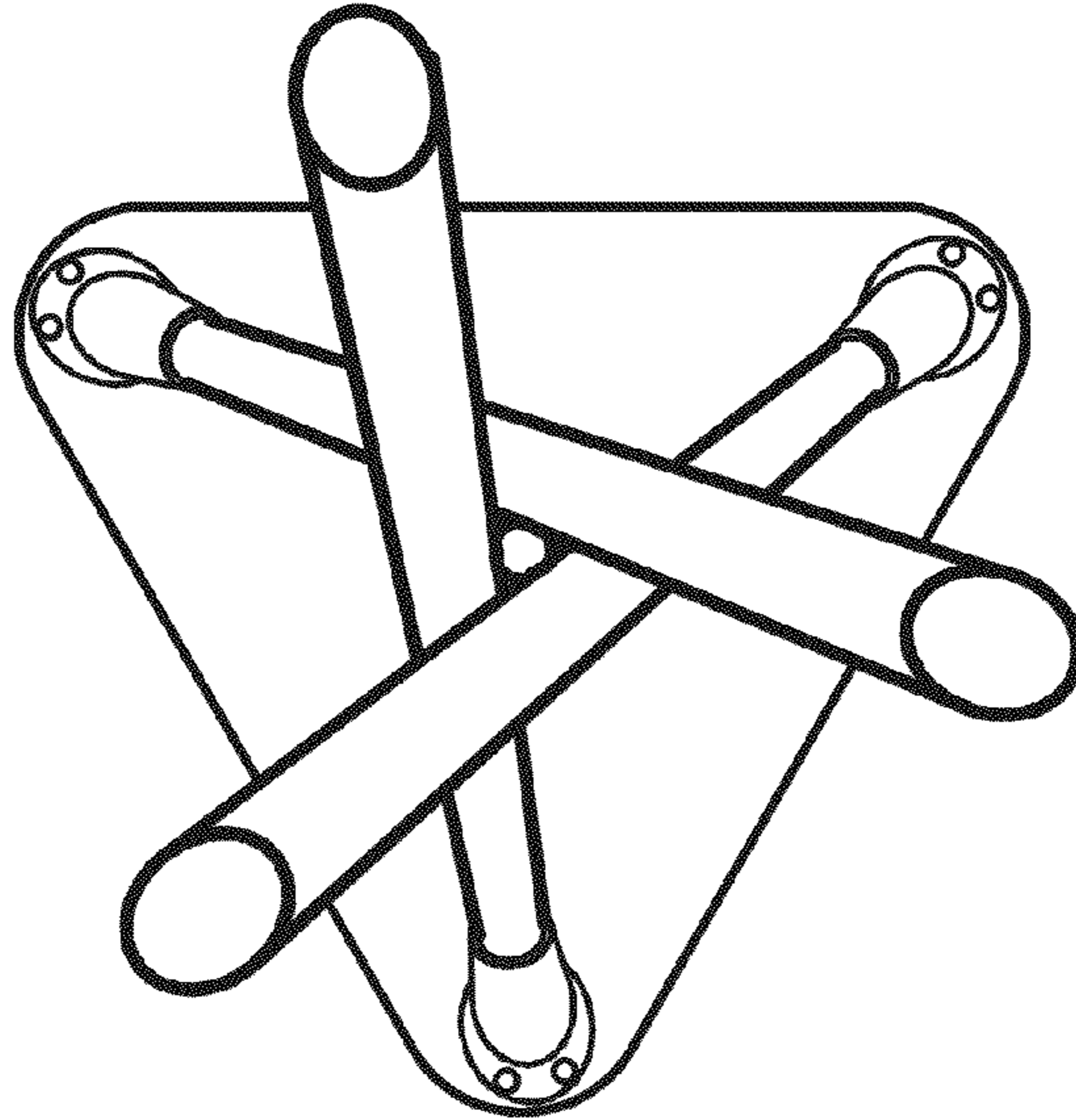


FIG. 11

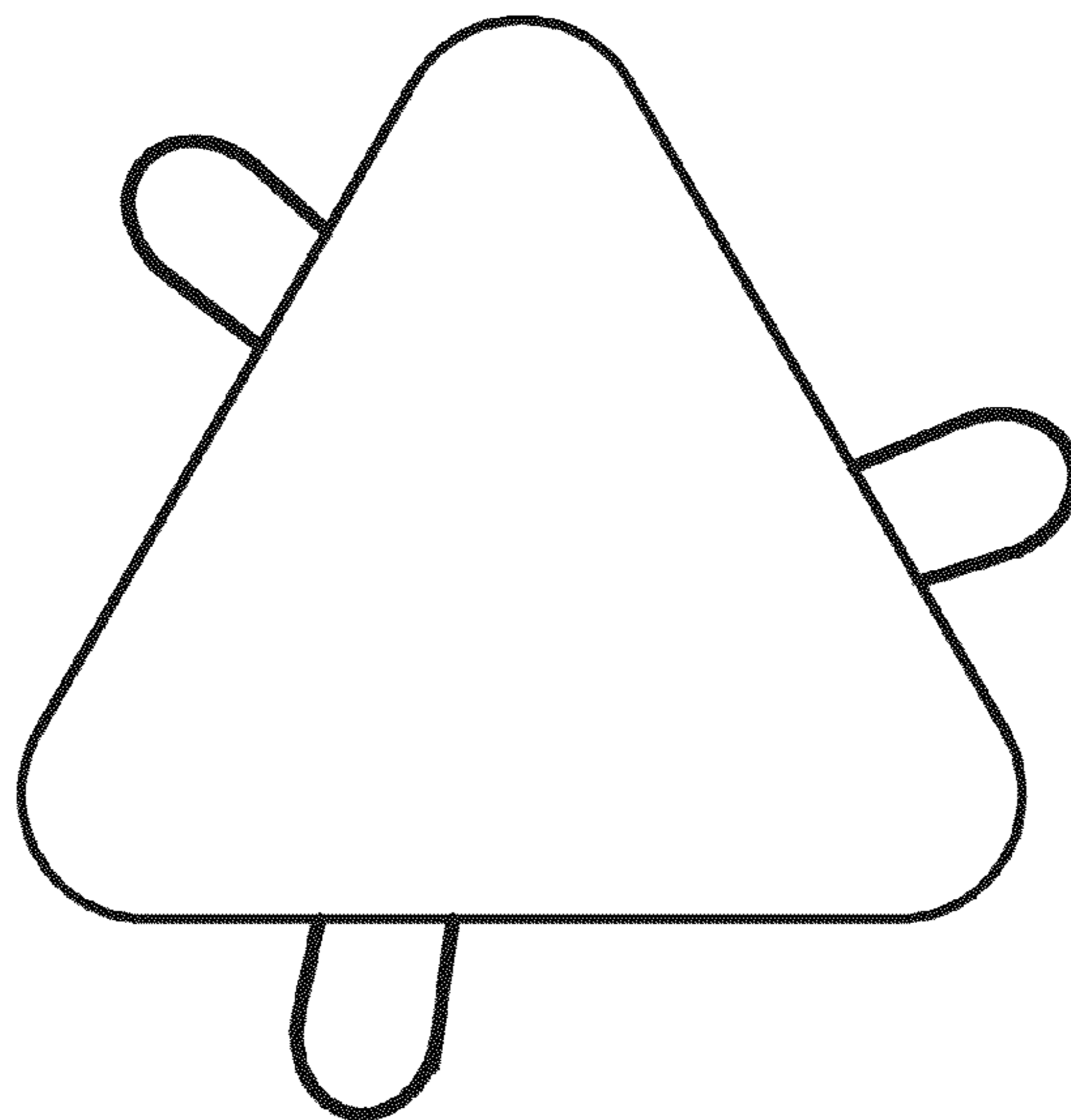


FIG. 12

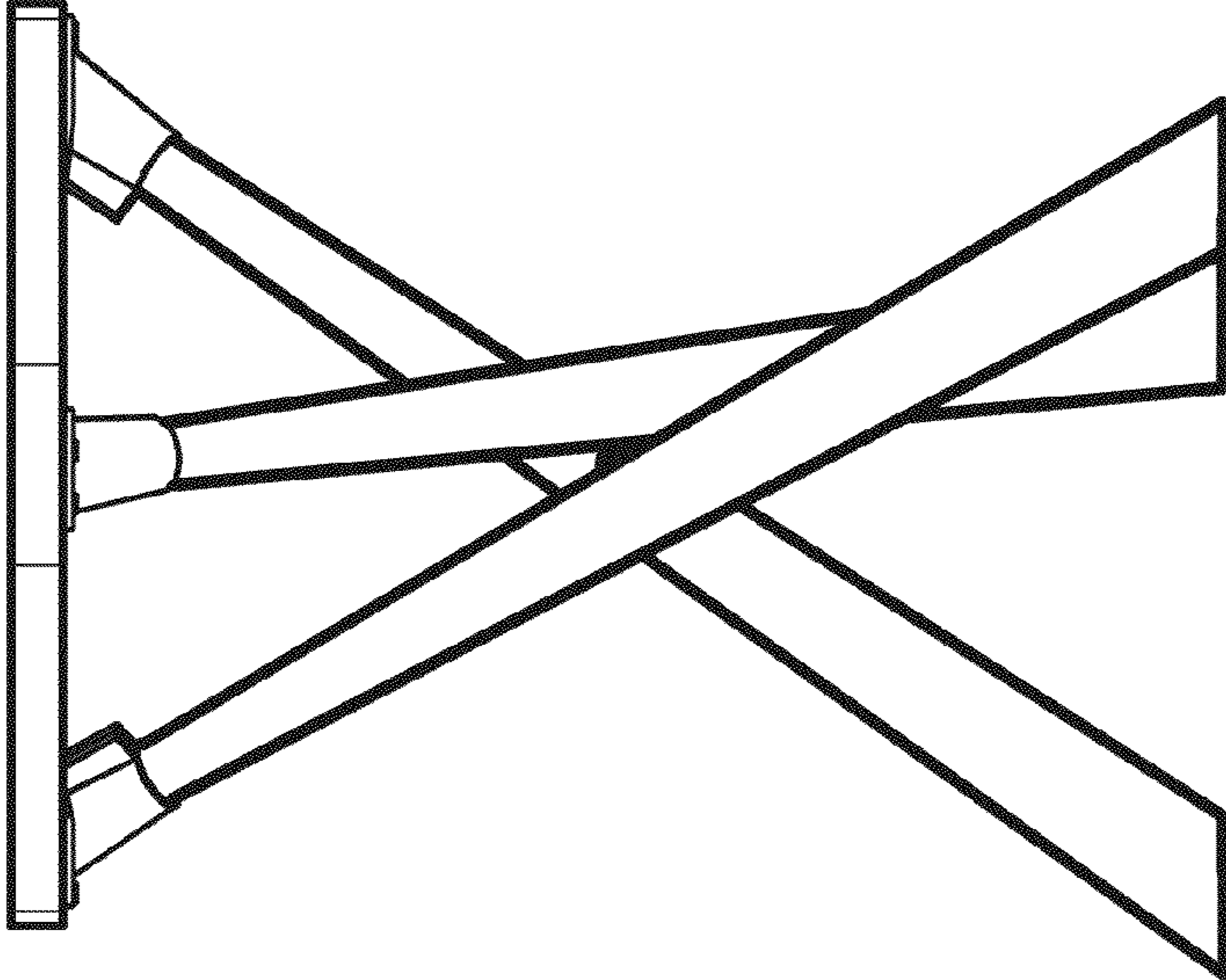


FIG. 14

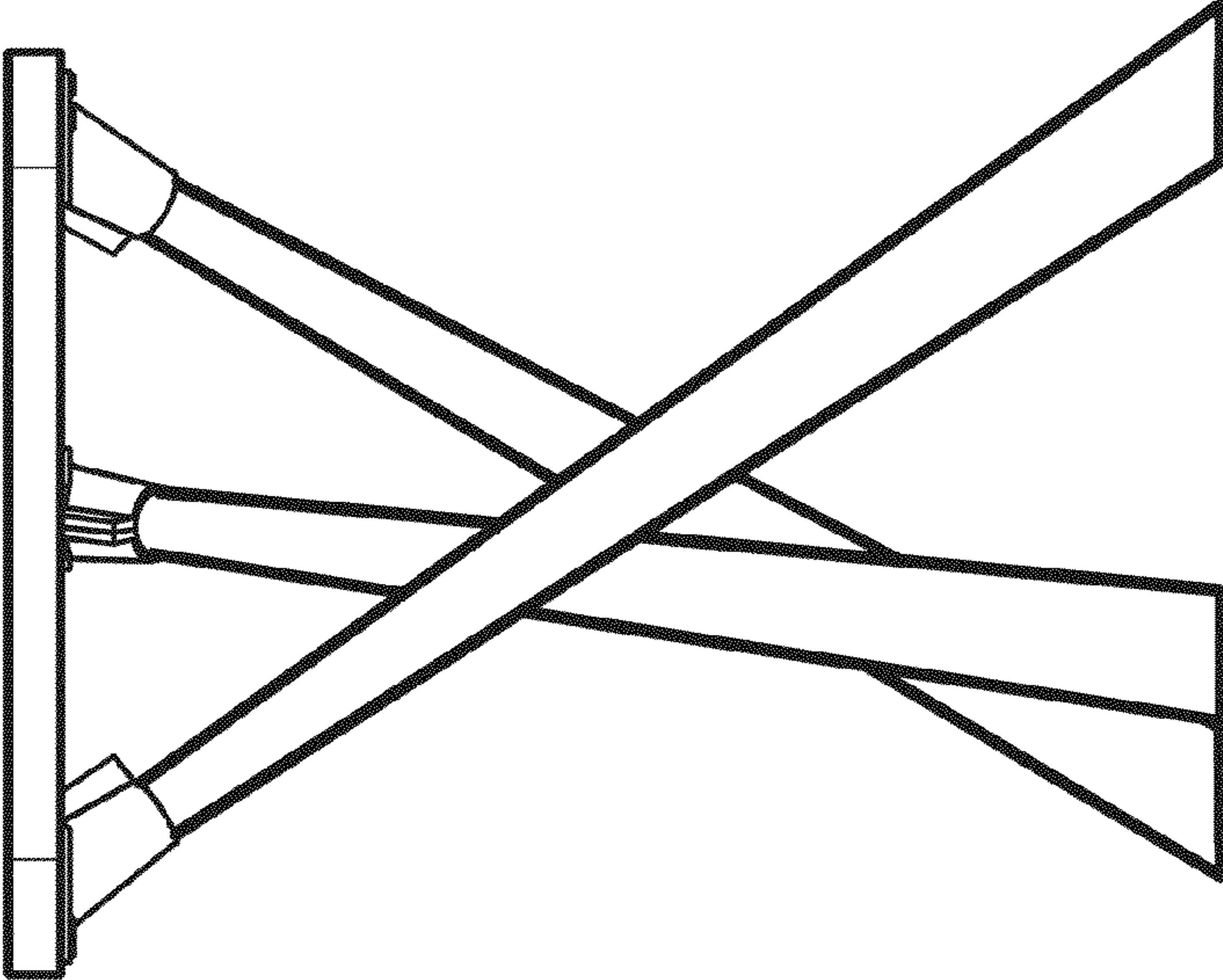


FIG. 13

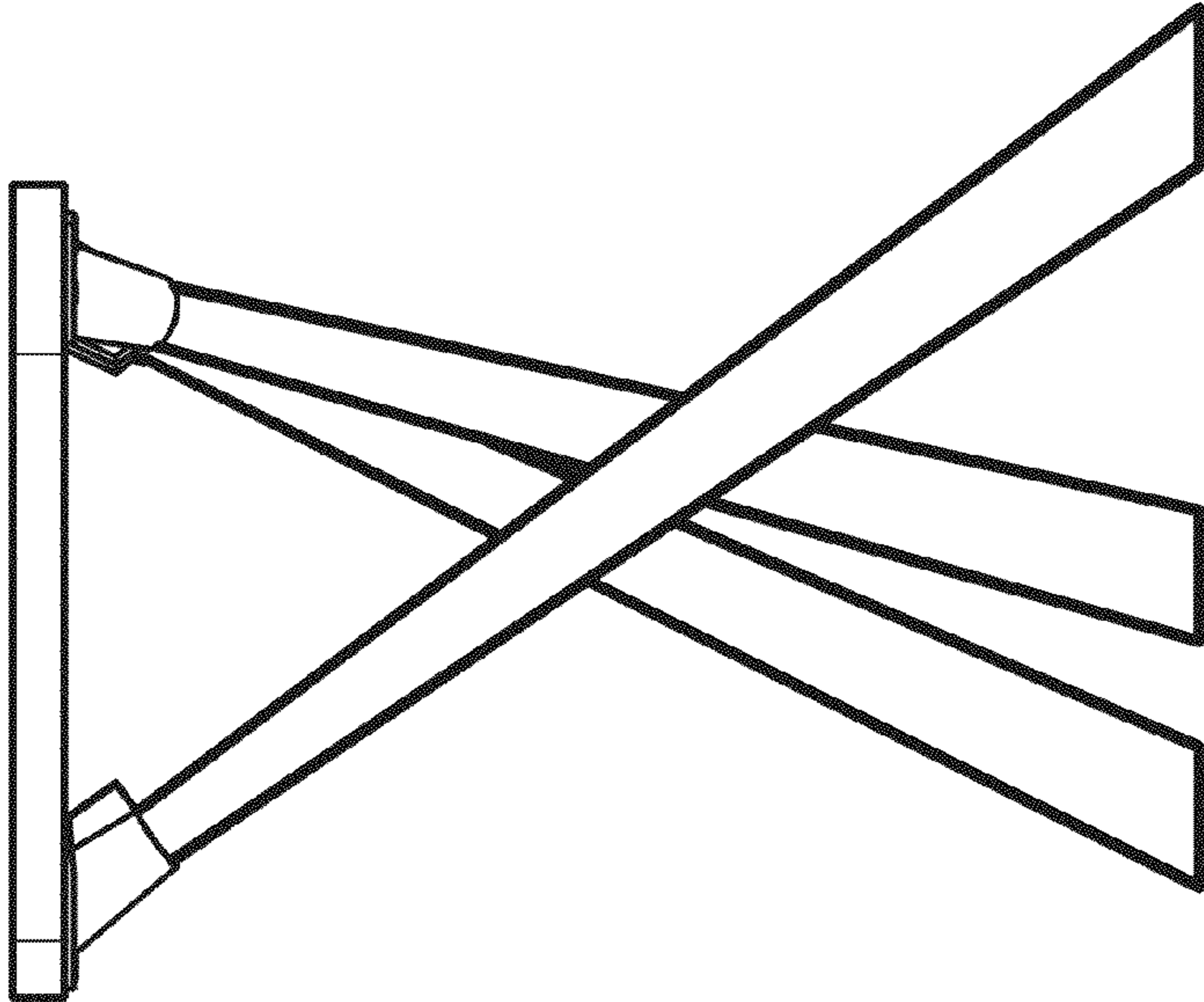


FIG. 15

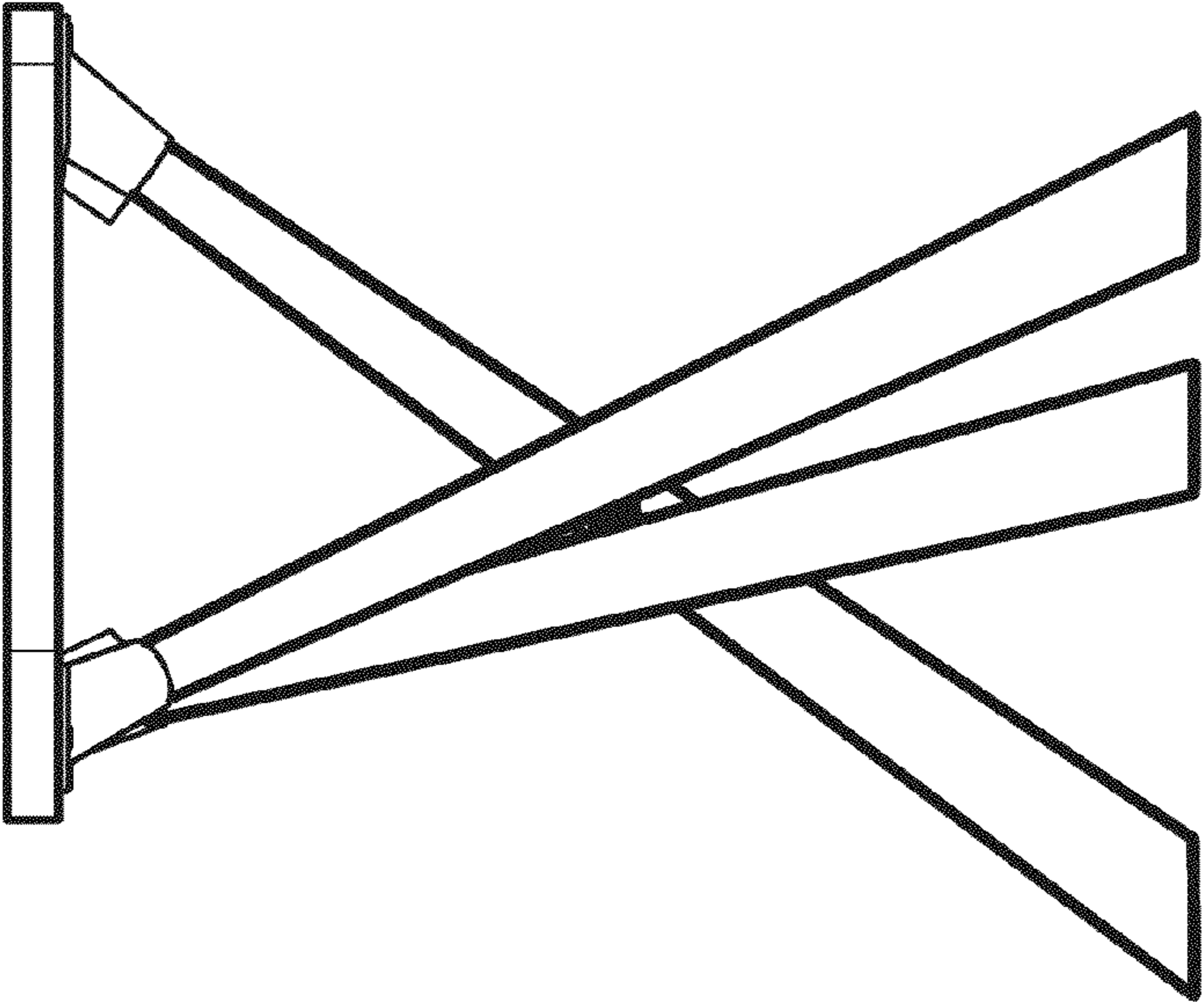


FIG. 16

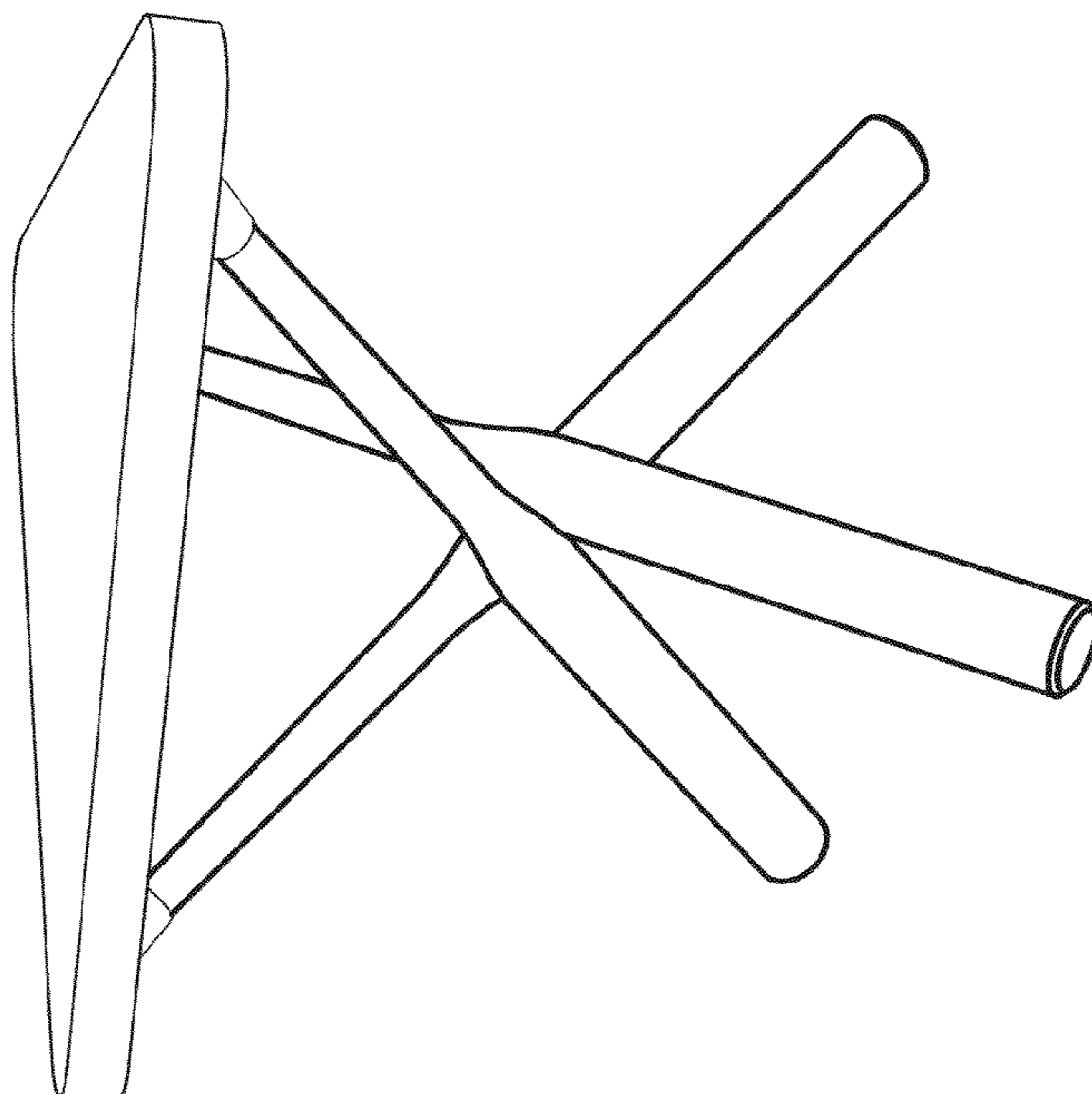


FIG. 18

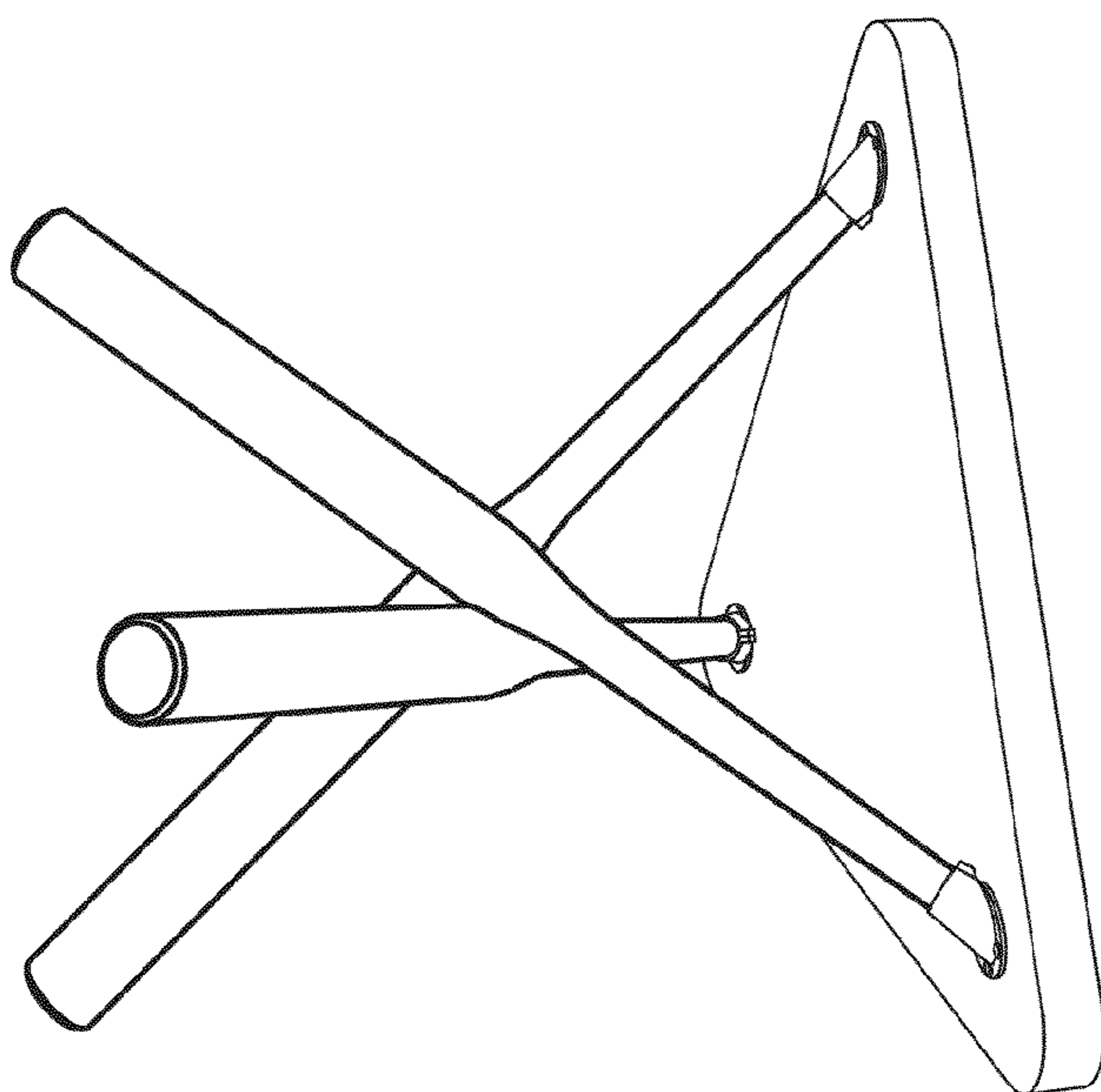


FIG. 17

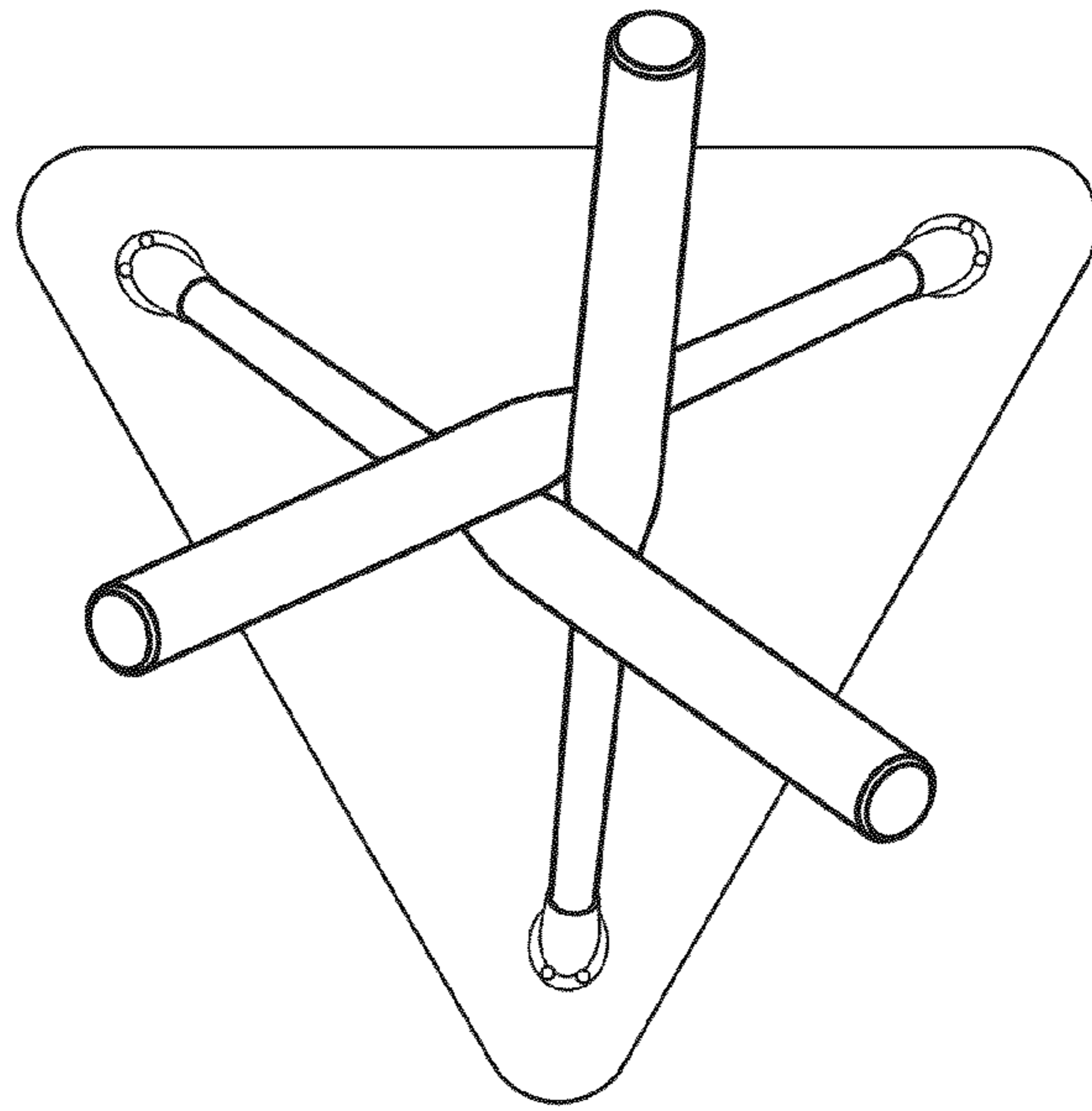


FIG. 19

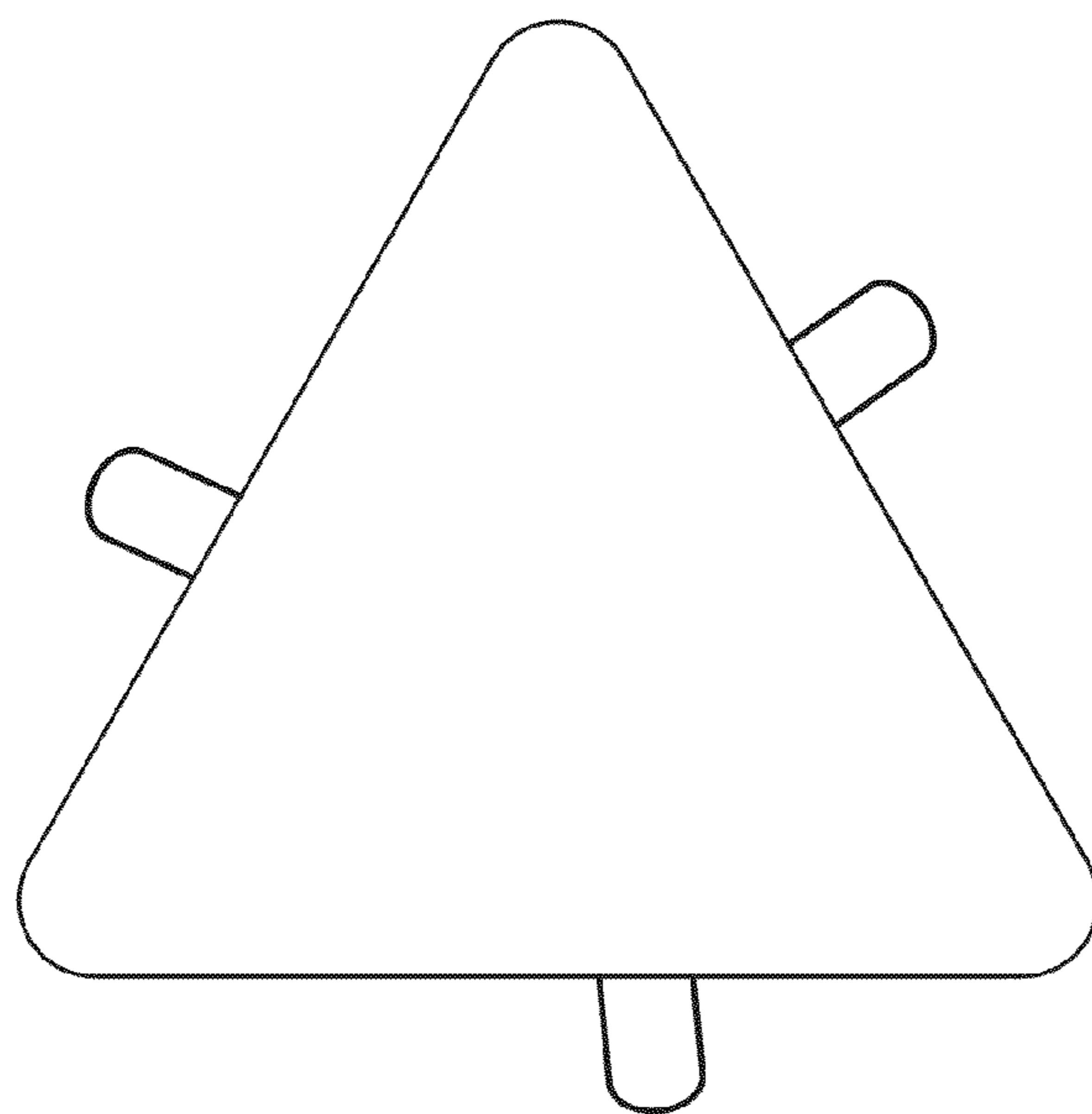


FIG. 20

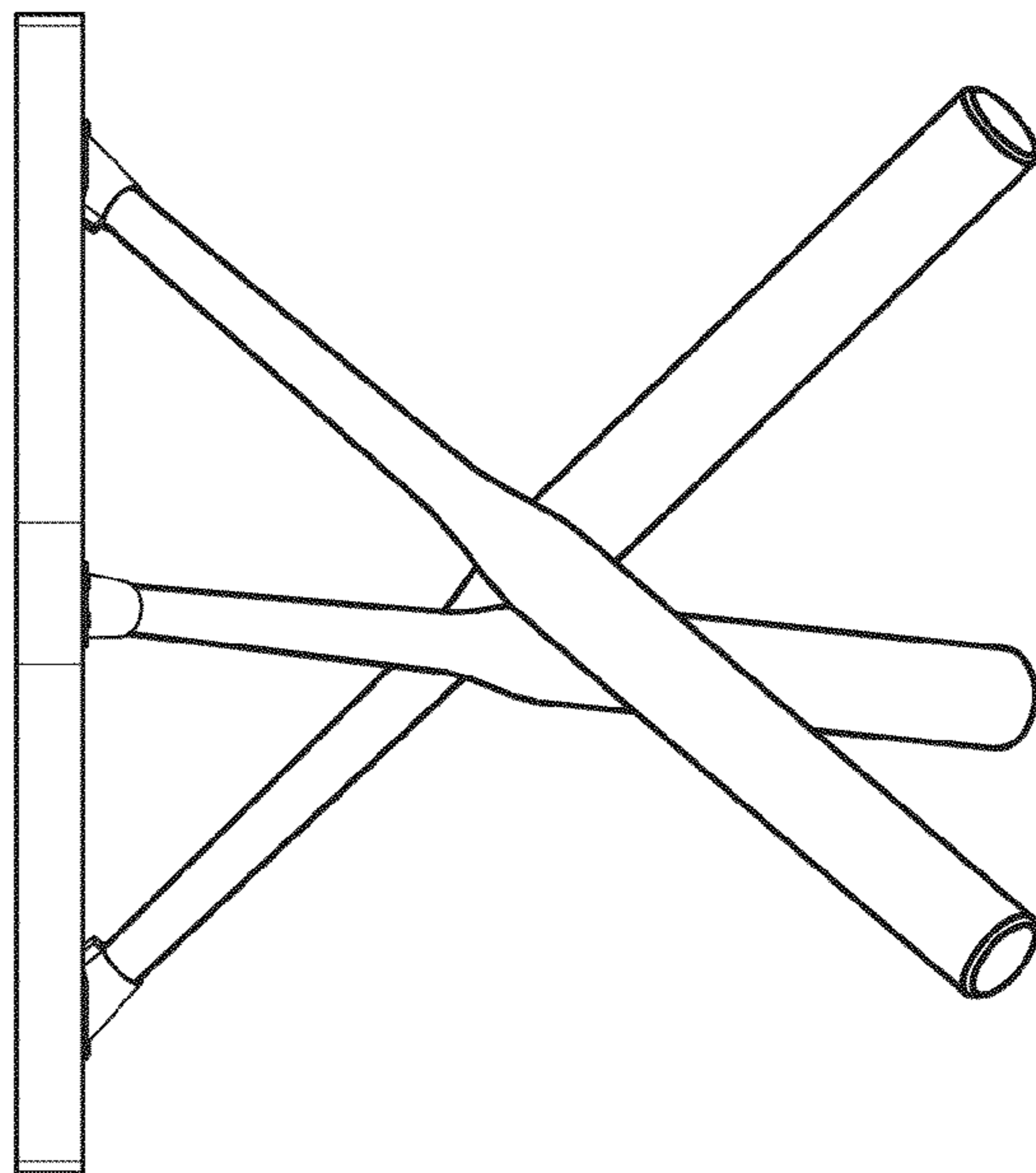


FIG. 22

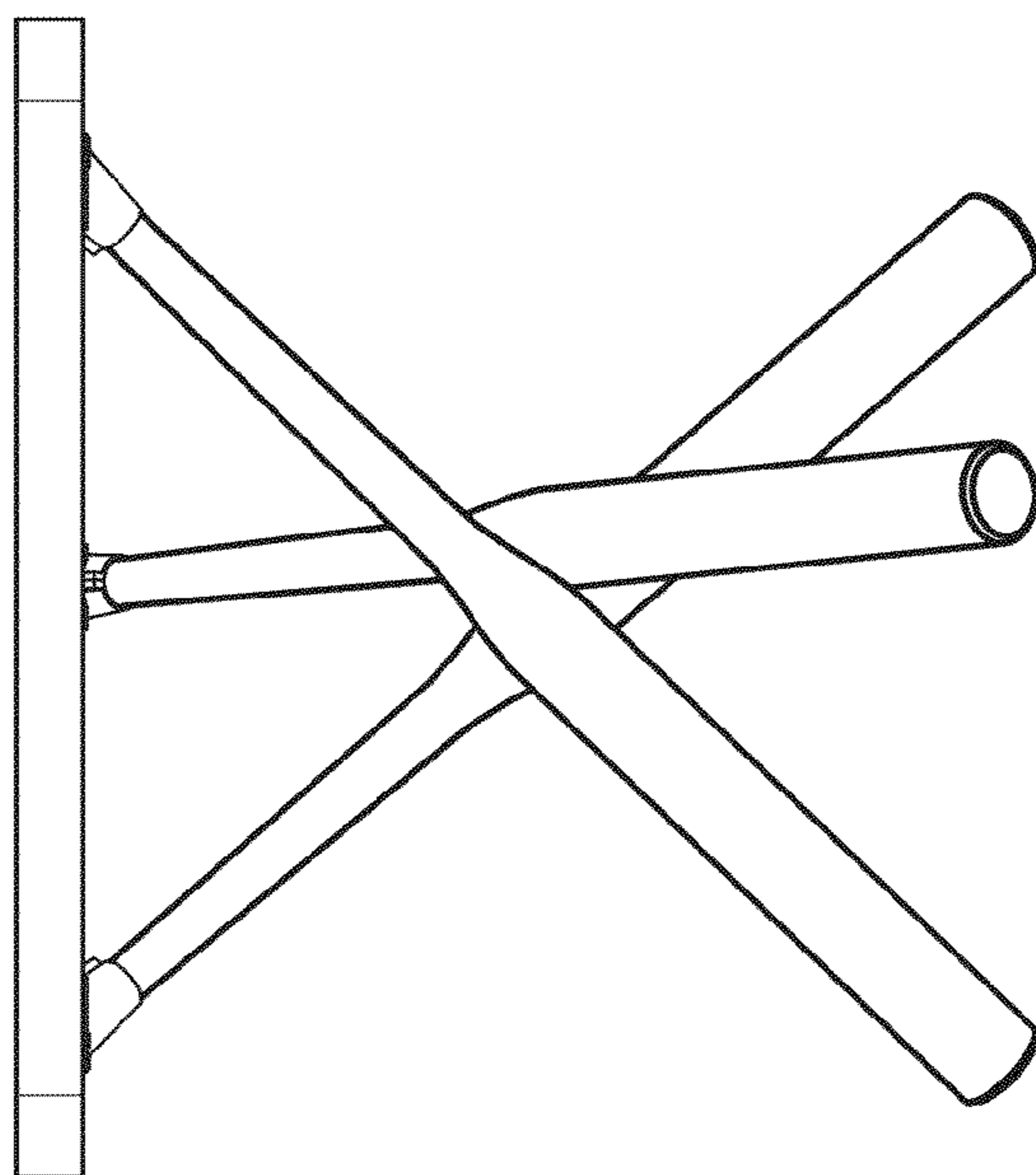


FIG. 21

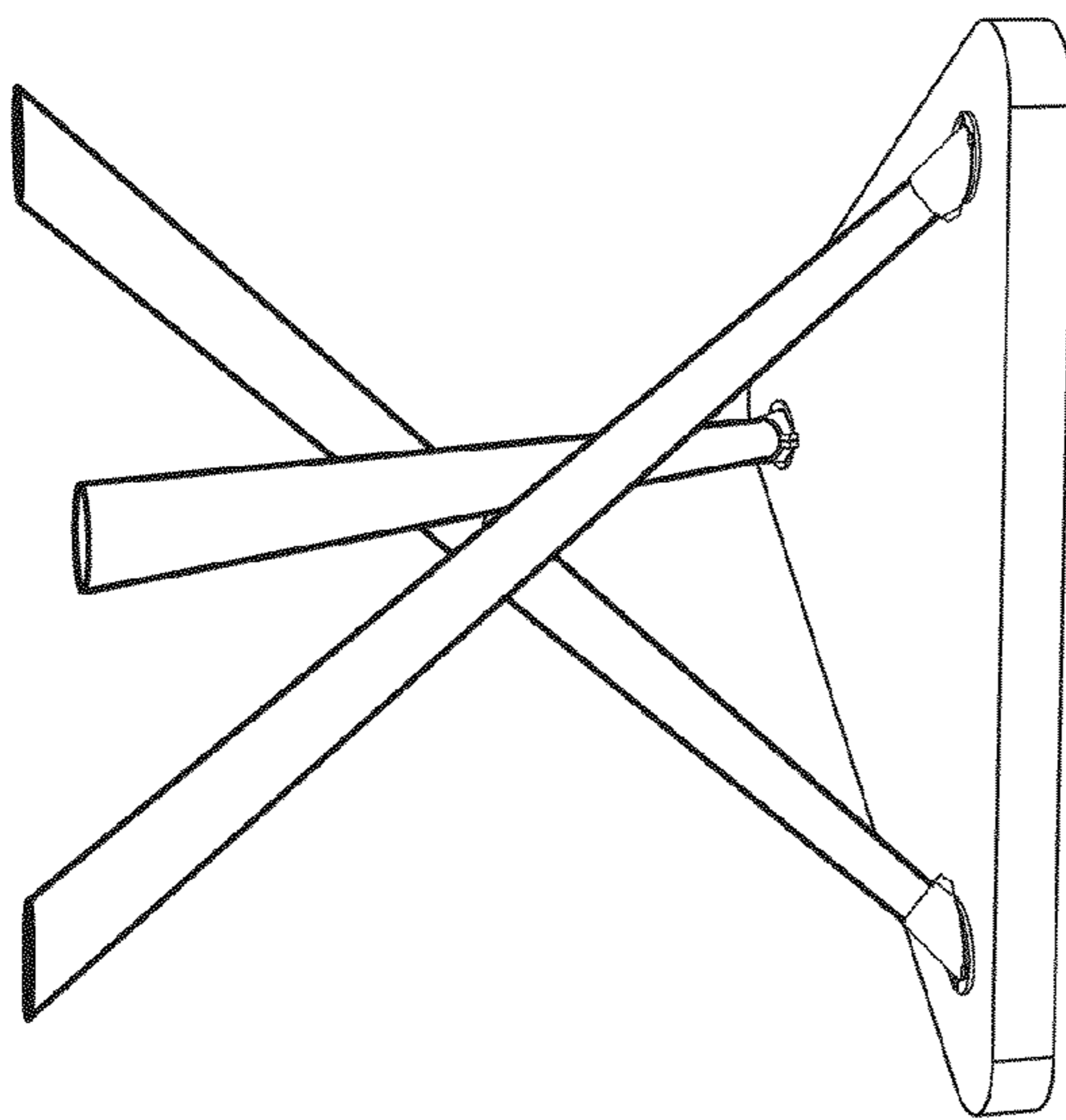


FIG. 23

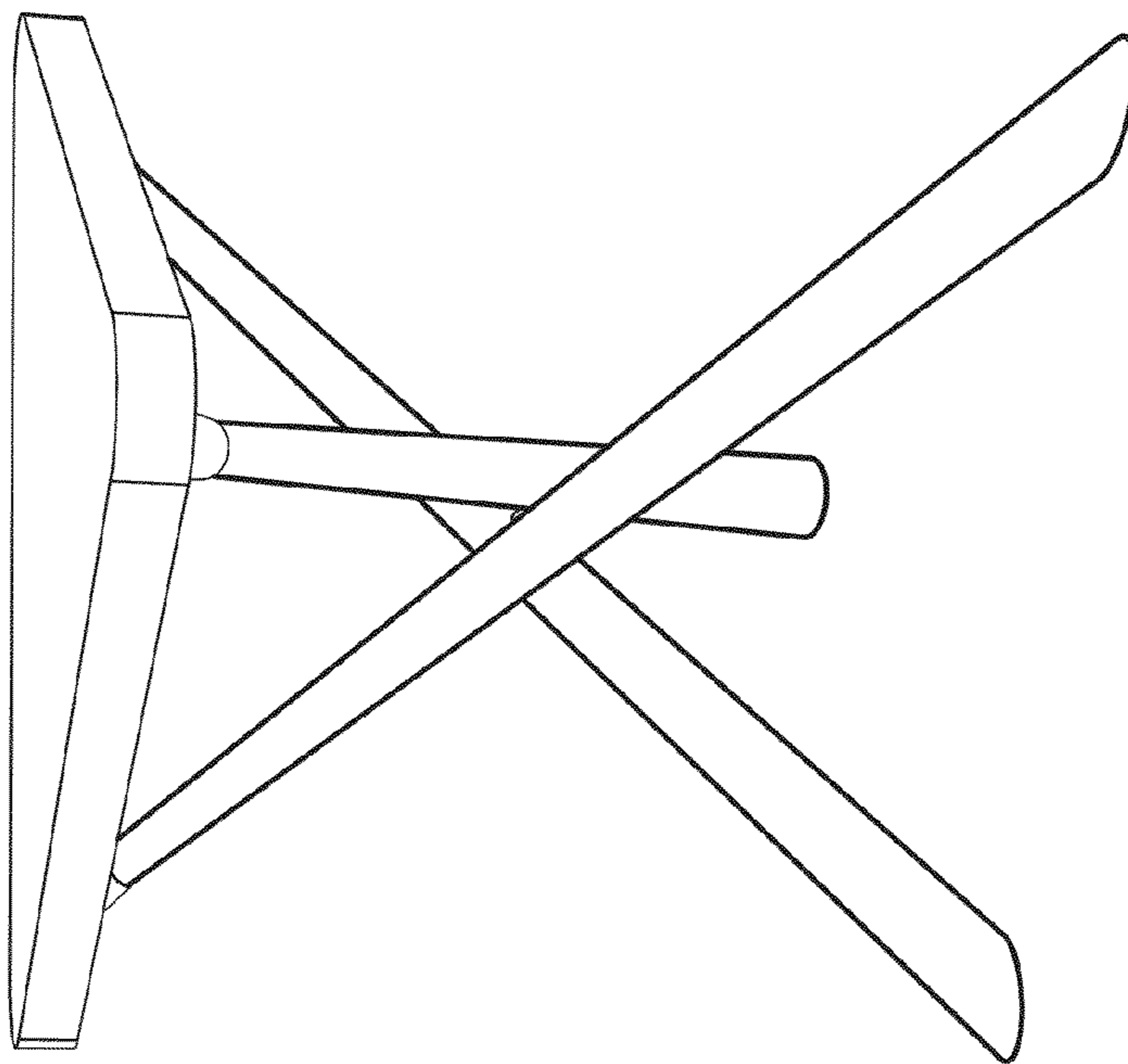


FIG. 24

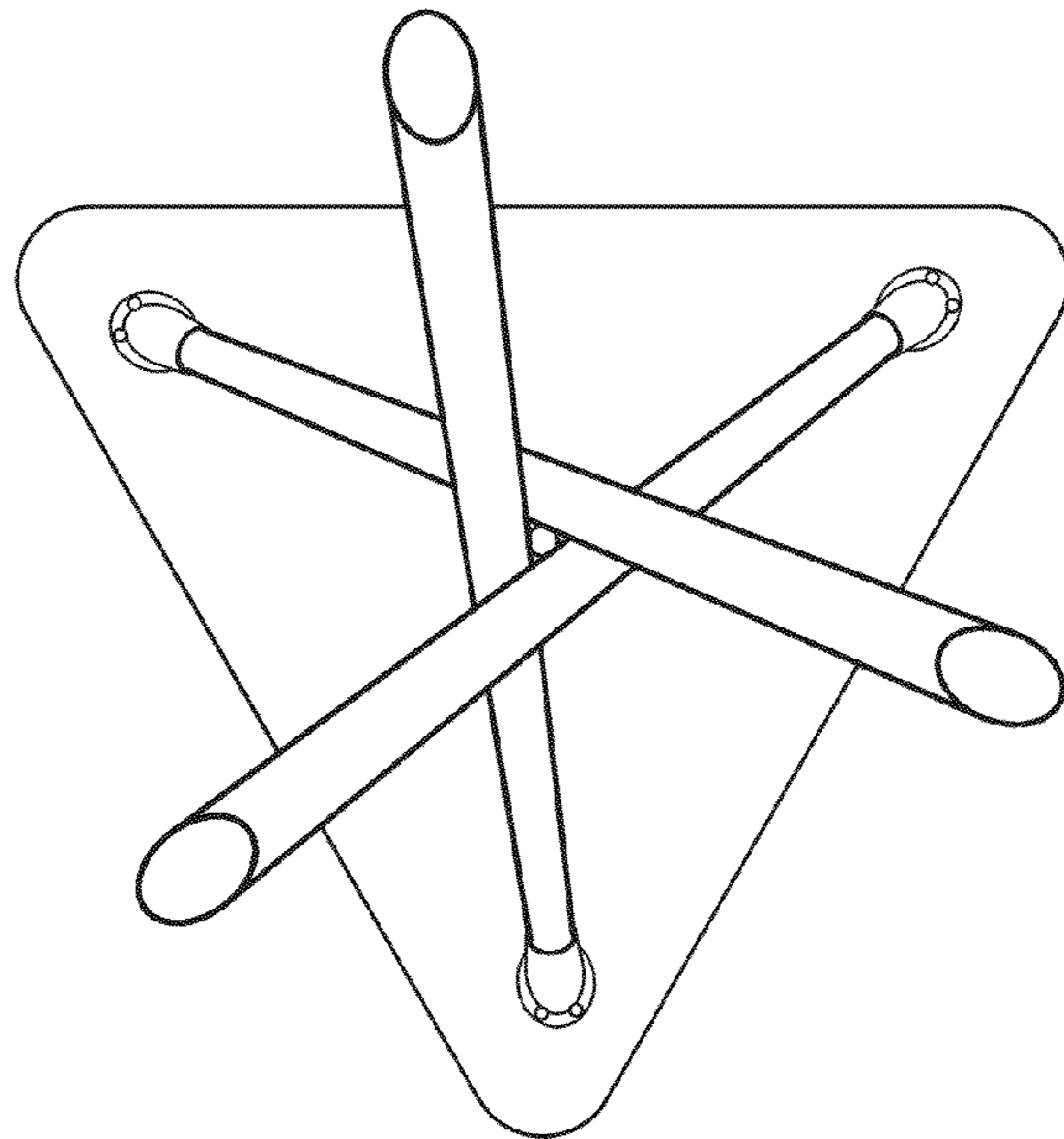


FIG. 25

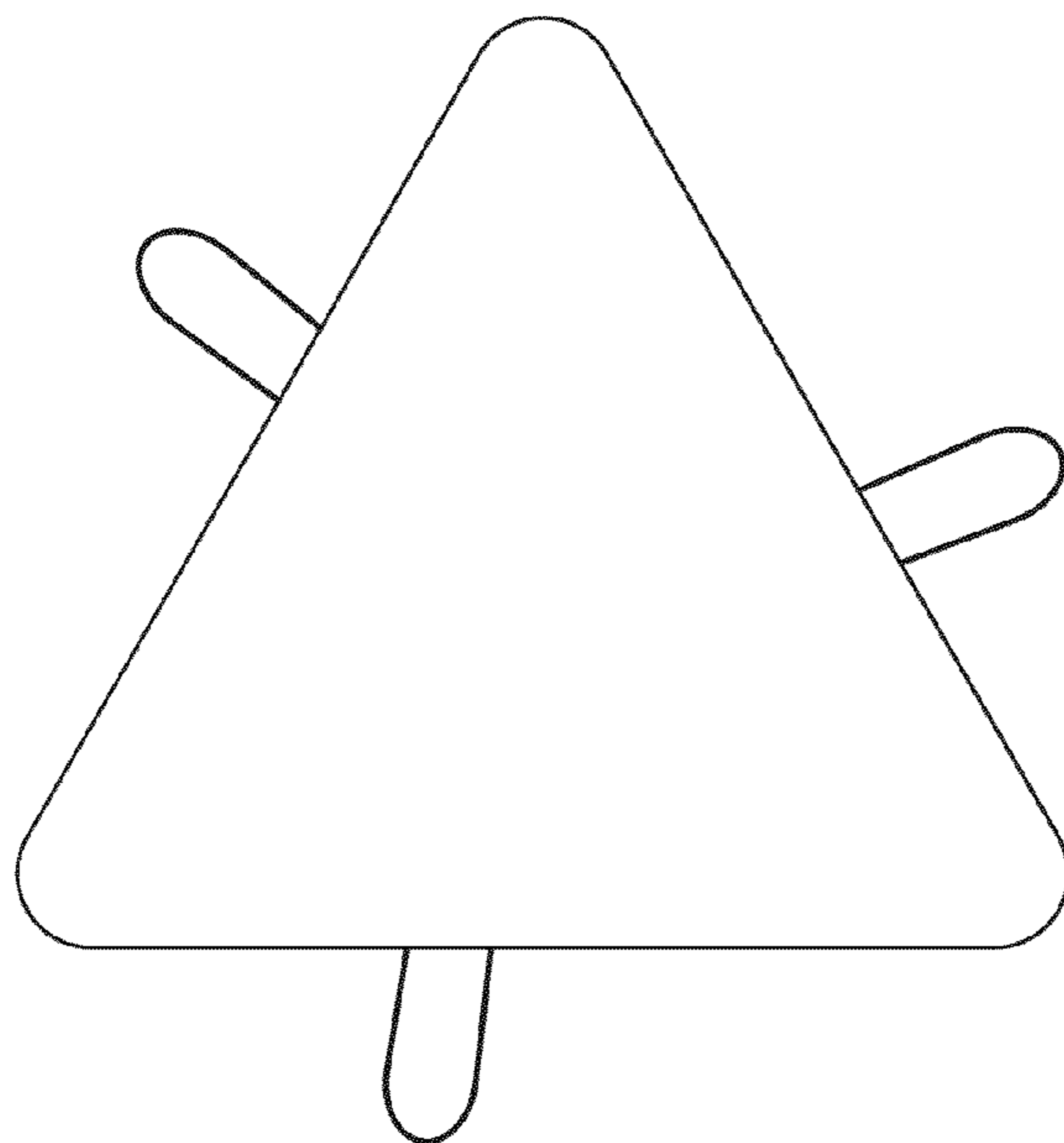


FIG. 26

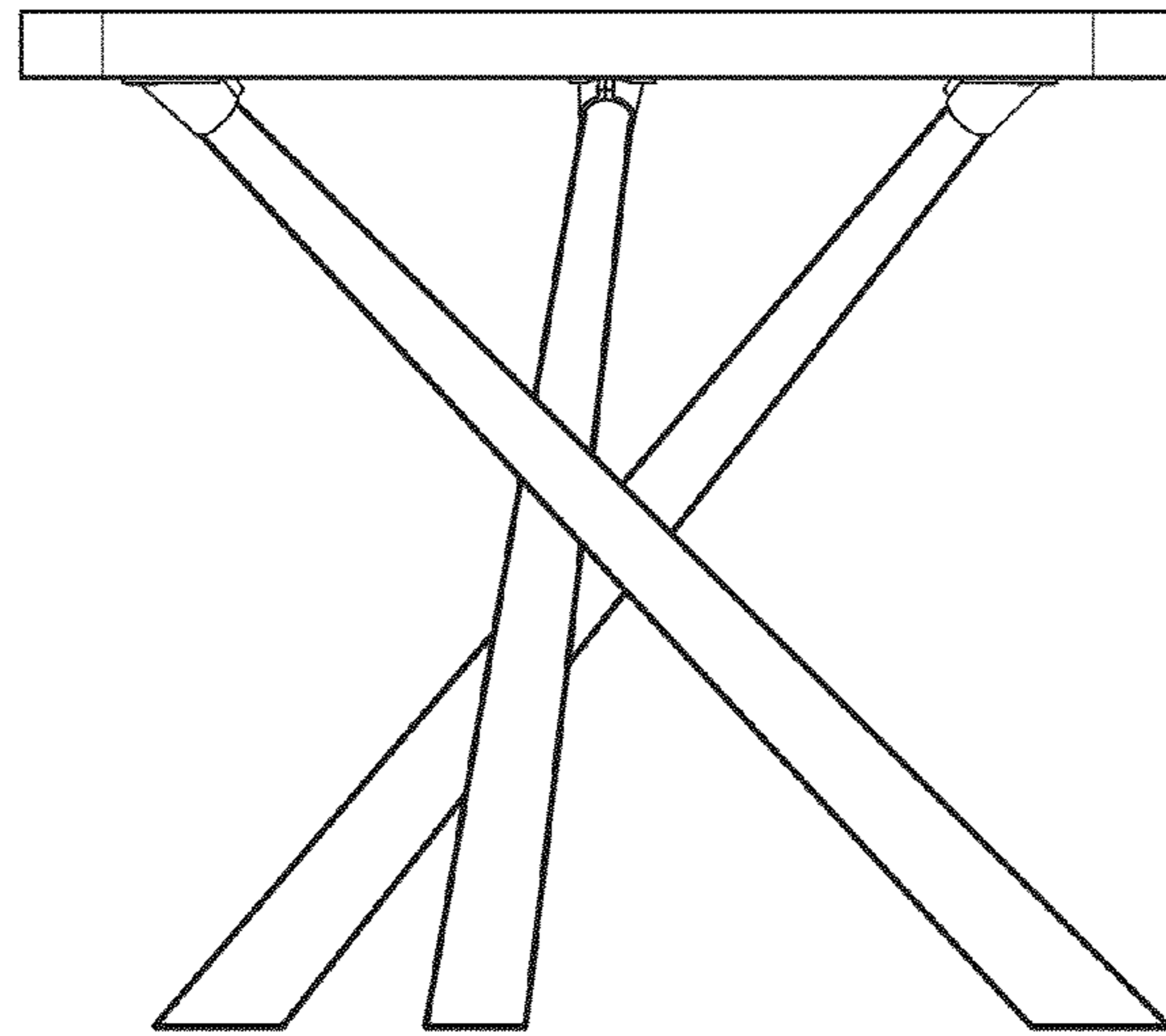


FIG. 27

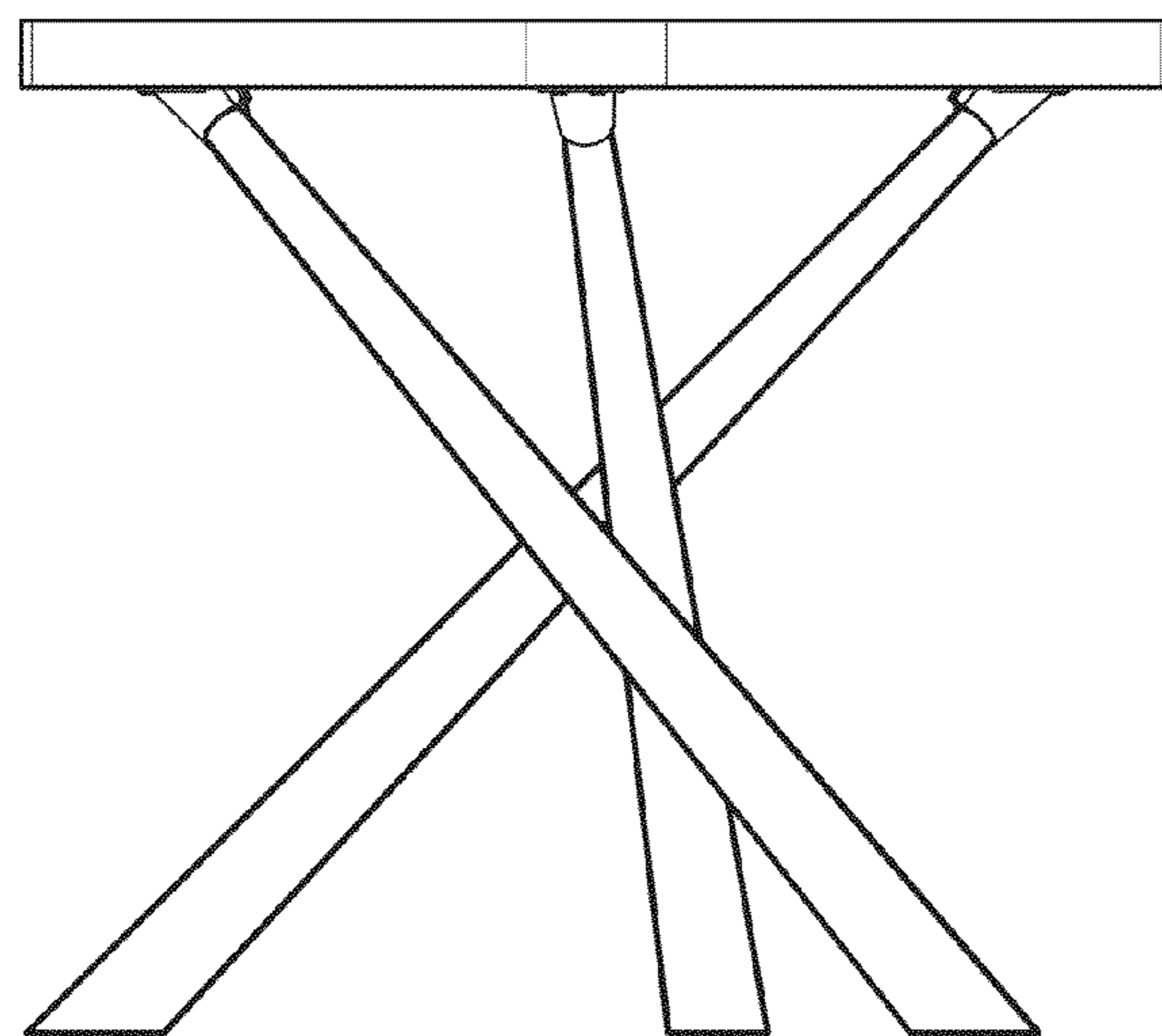


FIG. 28

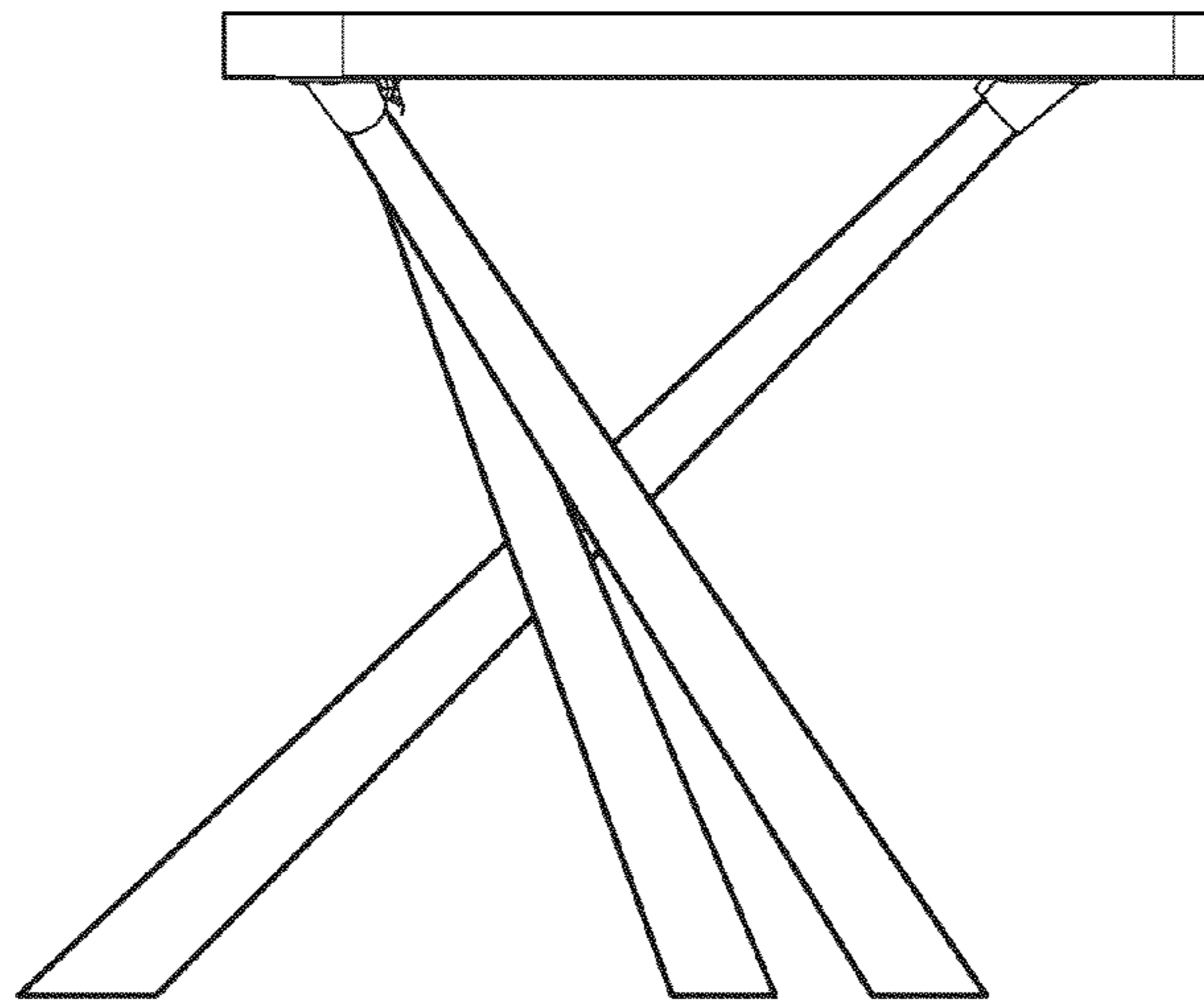


FIG. 29

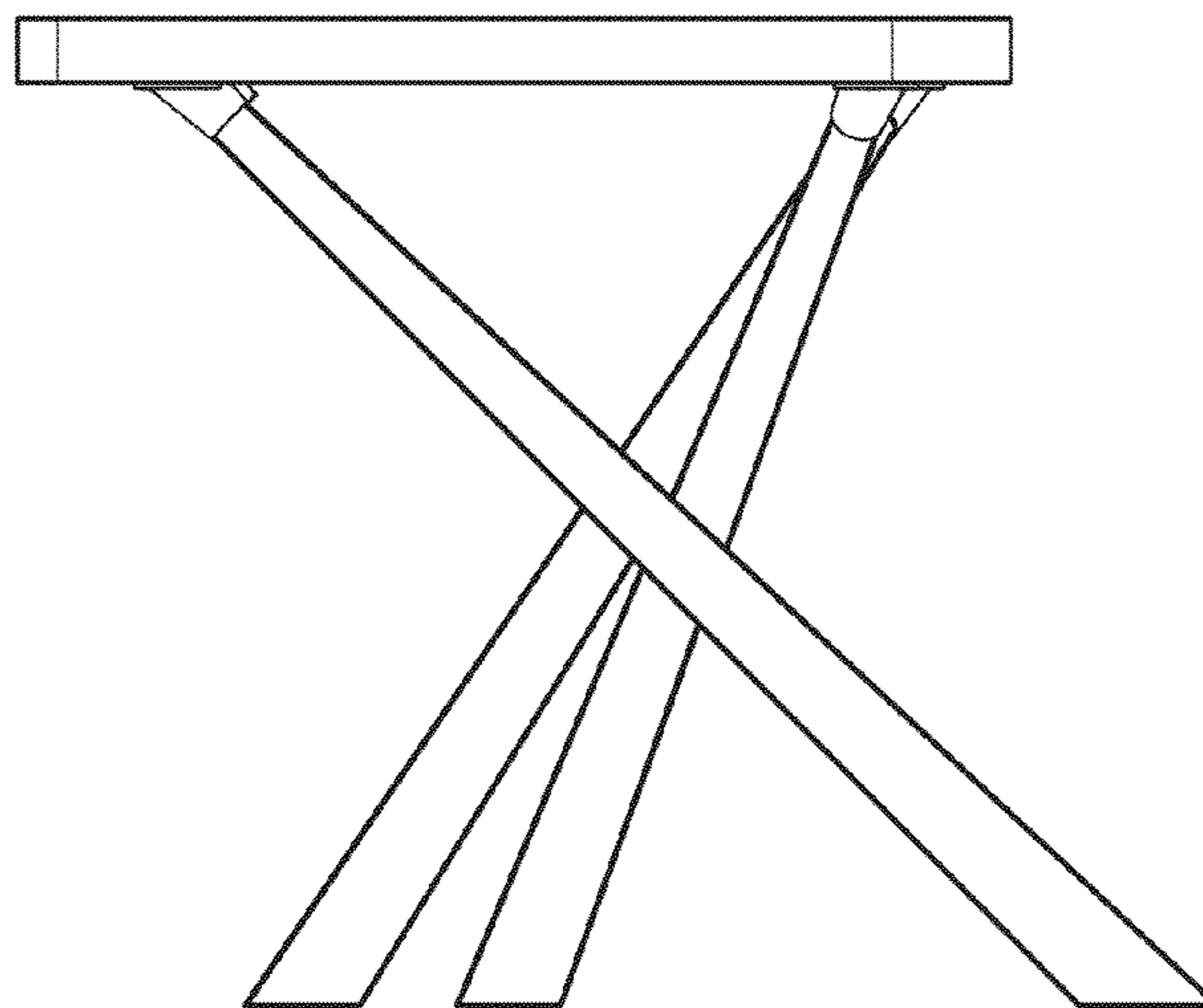


FIG. 30