



US00D727641S

(12) **United States Design Patent**
Eriksson

(10) **Patent No.:** **US D727,641 S**

(45) **Date of Patent:** **** Apr. 28, 2015**

(54) **CHILD'S SEAT**

(71) Applicant: **Thule Sweden AB**, Hillerstorp (SE)

(72) Inventor: **Henrik Eriksson**, Jonkoping (SE)

(73) Assignee: **Thule Sweden AB**, Hillerstorp (SE)

(**) Term: **14 Years**

(21) Appl. No.: **29/503,641**

(22) Filed: **Sep. 29, 2014**

(51) **LOC (10) Cl.** **06-01**

(52) **U.S. Cl.**
USPC **D6/333**

(58) **Field of Classification Search**
CPC B60N 2/2845; B60N 2/2821; A47D 13/02;
A47C 15/004
USPC 5/93.1, 99.1, 94, 101, 98.1, 947,
5/103-104, 655; D12/129, 130, 107,
D12/111, 114, 115, 119, 402; D21/419;
297/250.1, 255, 256.1, 256.16,
297/183.1-183.4, 280, 196, 252-254,
297/256.15, 256.17, 156, 195.13, 243;
280/30-31, 202, 288.4; 224/415, 427,
224/453, 431

See application file for complete search history.

(56) **References Cited**

U.S. PATENT DOCUMENTS

D399,353 S *	10/1998	Krass et al.	D6/375
D399,659 S *	10/1998	Reiland et al.	D6/333
D478,220 S *	8/2003	Chang	D6/348
D503,546 S *	4/2005	Oxseth	D6/333
D523,647 S *	6/2006	Hill et al.	D6/333
D557,908 S *	12/2007	Vickers et al.	D6/333
D560,374 S *	1/2008	Bergkvist	D6/333
D639,570 S *	6/2011	Beers	D6/333
D699,042 S *	2/2014	Baldelli	D6/333

* cited by examiner

Primary Examiner — Caron D Veynar

Assistant Examiner — Abraham Bahta

(74) *Attorney, Agent, or Firm* — Novak Druce Connolly
Bove + Quigg LLP

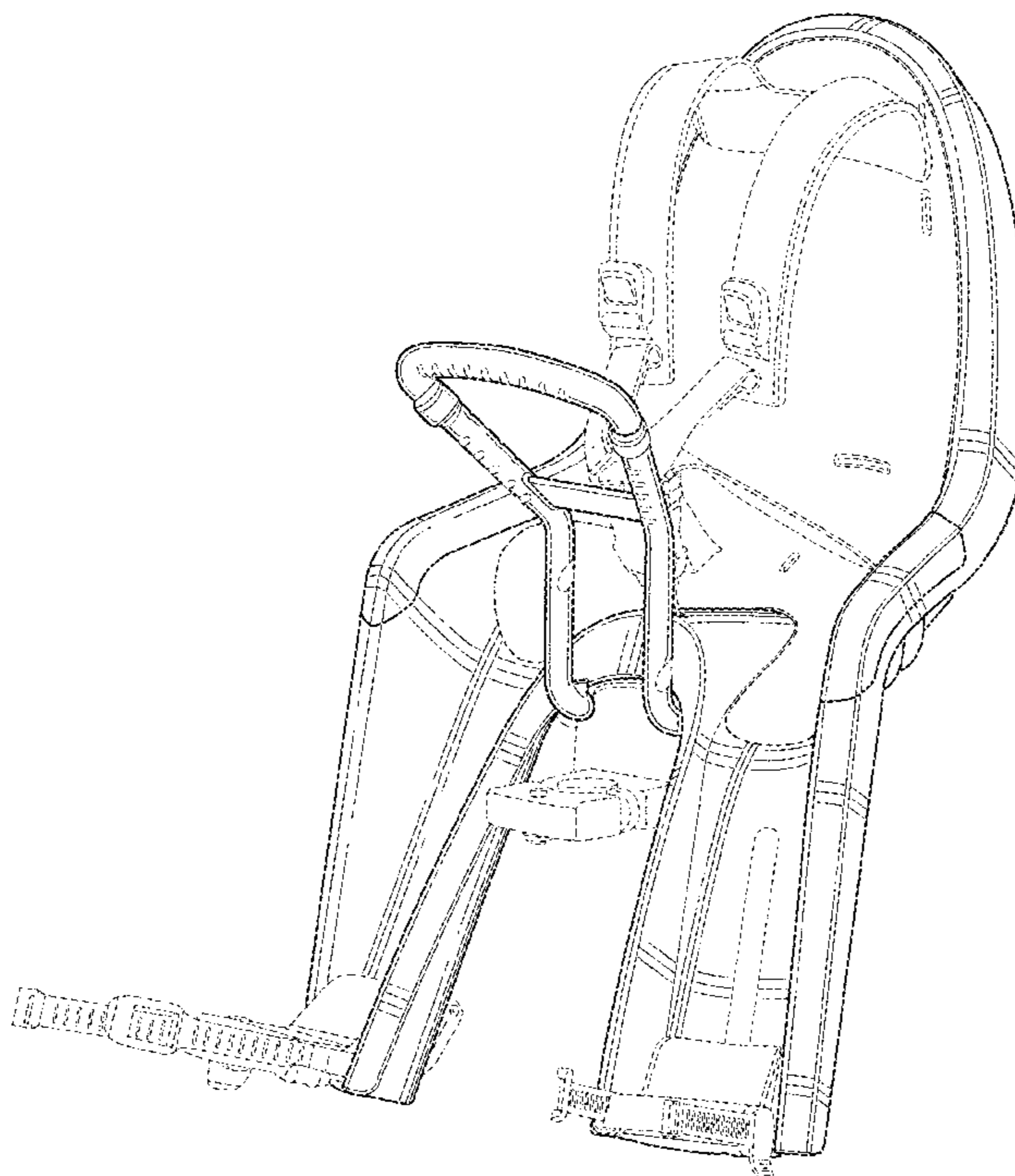
(57) **CLAIM**

I claim the ornamental design for a child's seat, as shown and described.

DESCRIPTION

FIG. 1 is a perspective view of a child's seat;
FIG. 2 is a front elevational view thereof;
FIG. 3 is a rear elevational view thereof;
FIG. 4 is a left side elevational view thereof;
FIG. 5 is a right side elevational view thereof;
FIG. 6 is a top plan view thereof; and,
FIG. 7 is a bottom plan view thereof.
The broken lines are for illustrating unclaimed portions of the child's seat; the broken lines form no part of the claimed design.

1 Claim, 7 Drawing Sheets



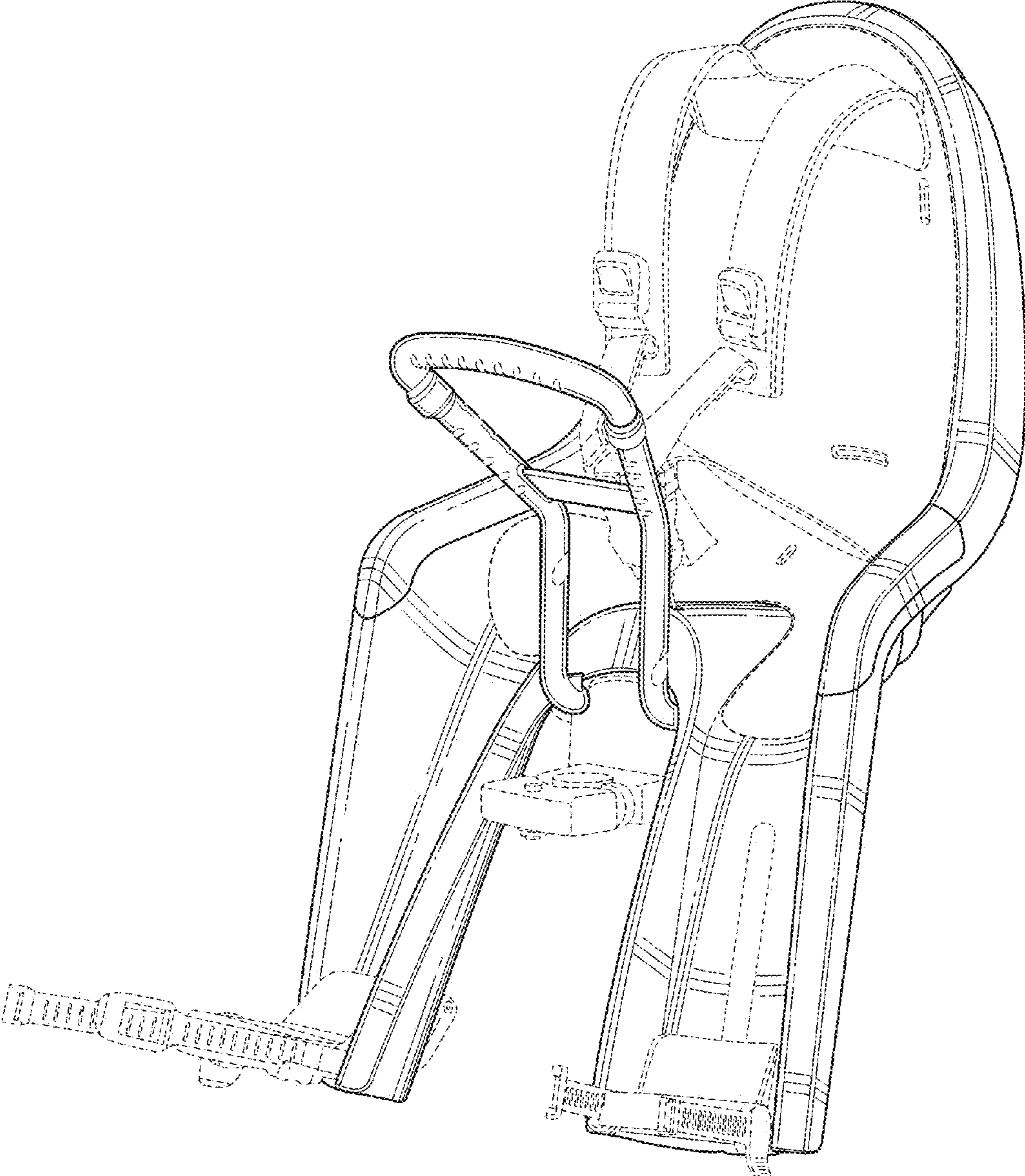


FIG. 1

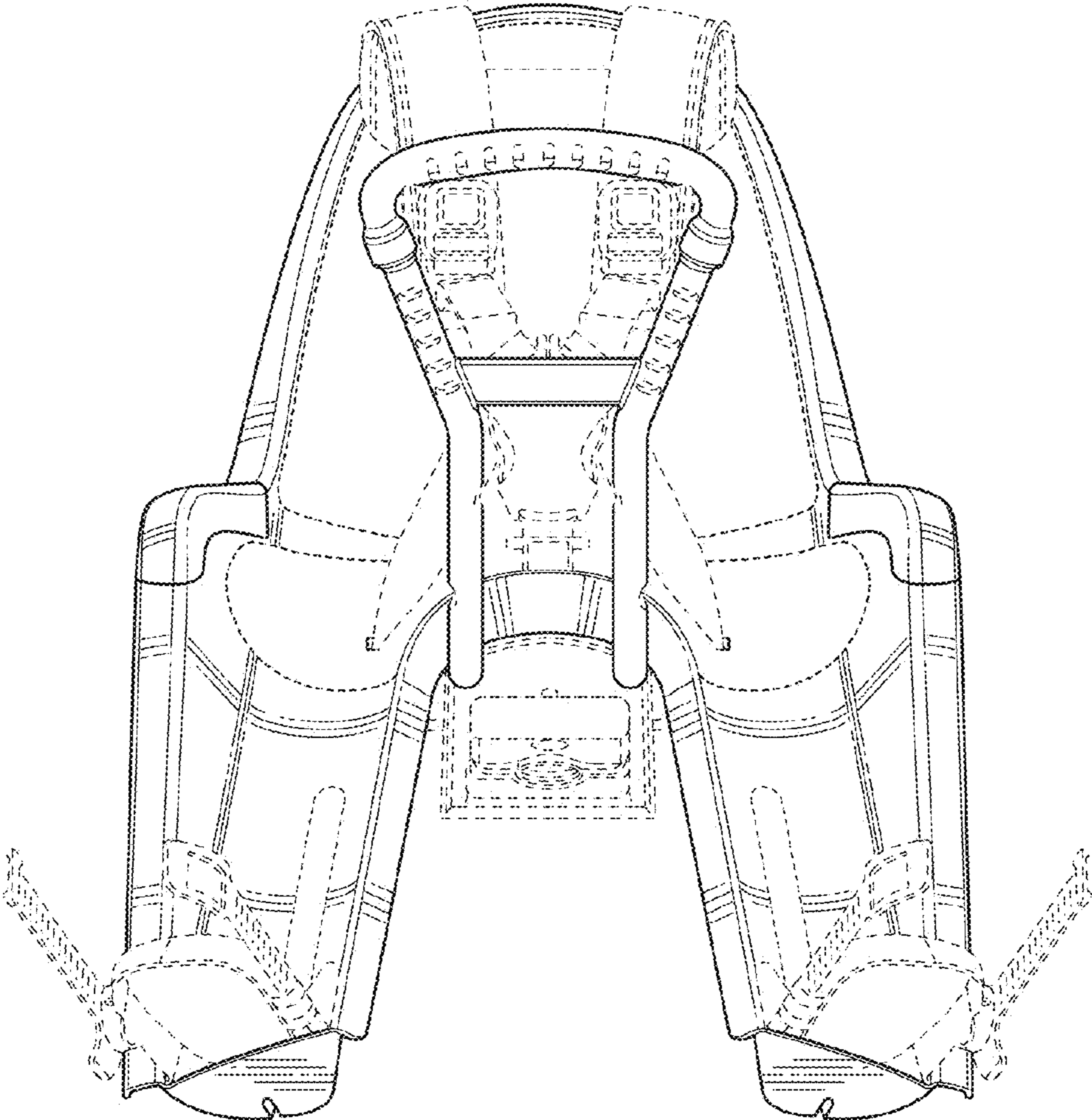


FIG. 2

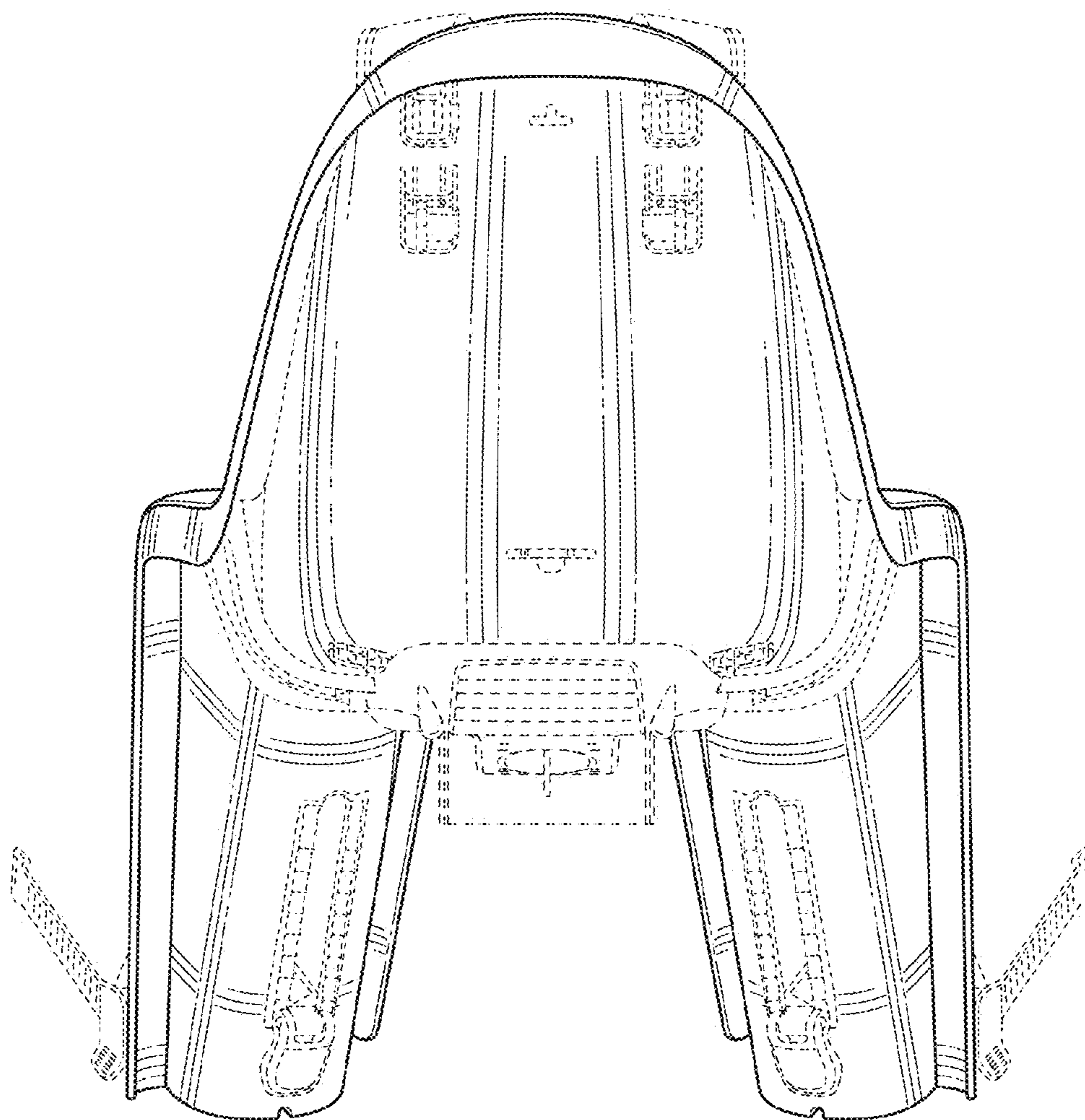


FIG. 3

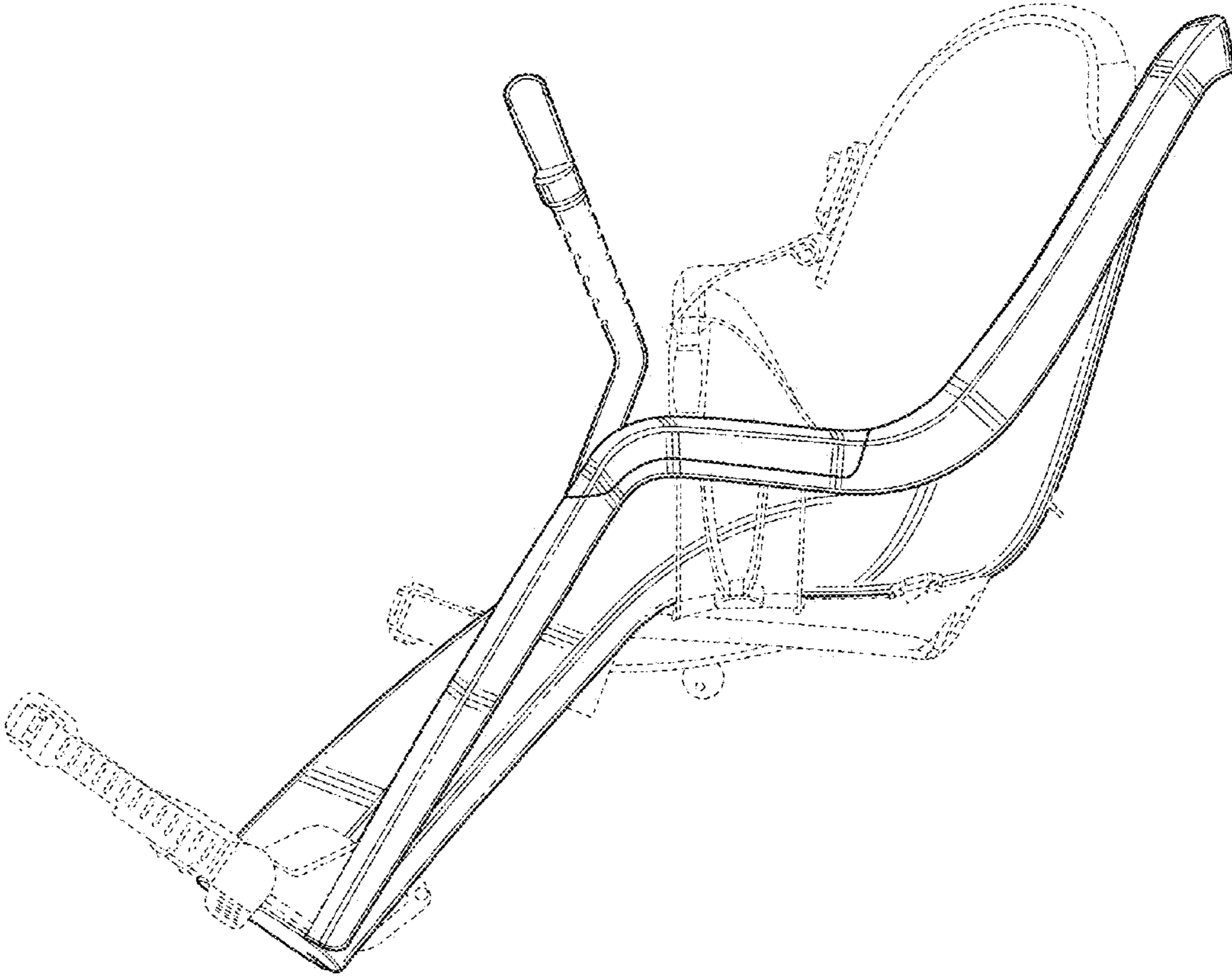


FIG. 4

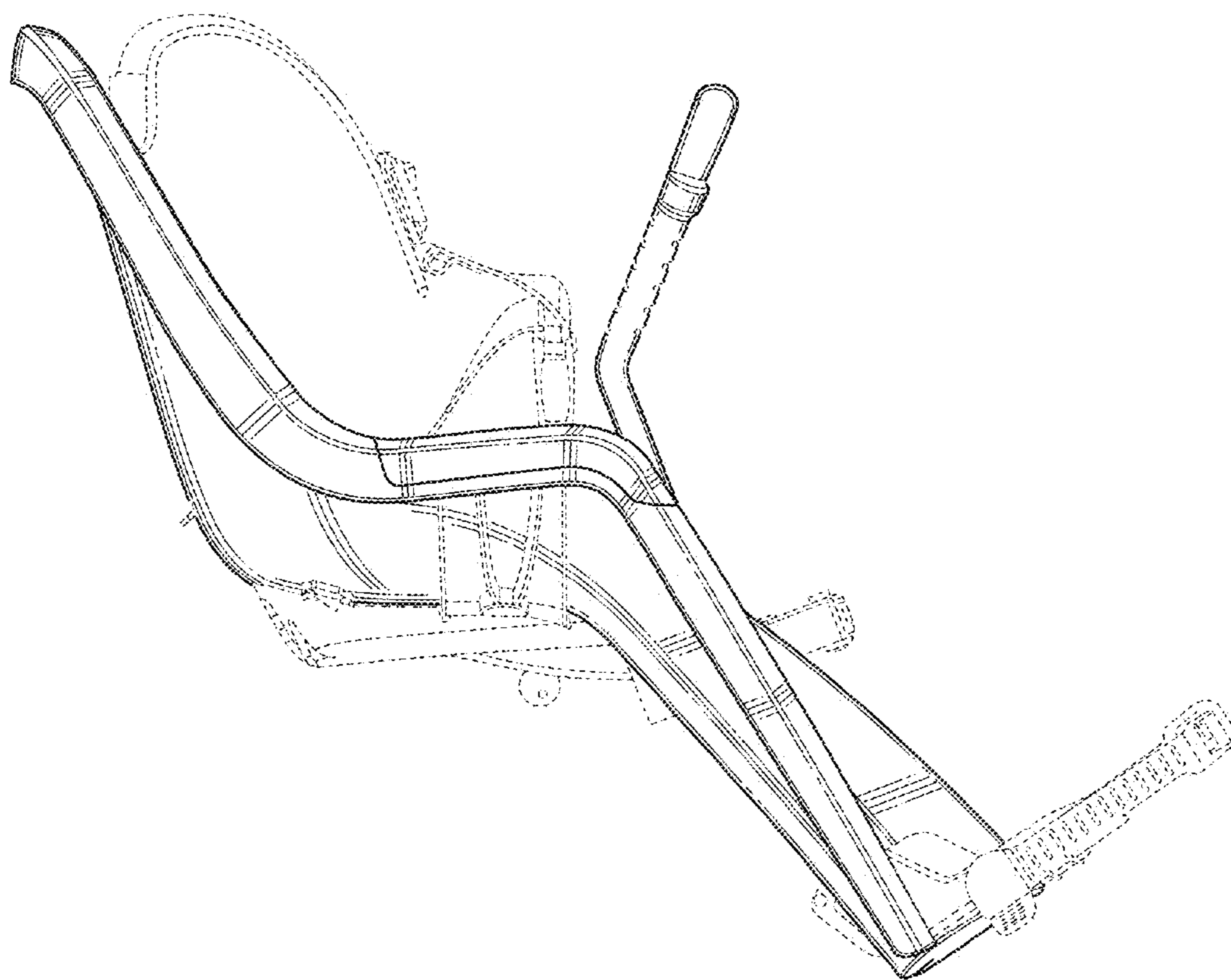


FIG. 5

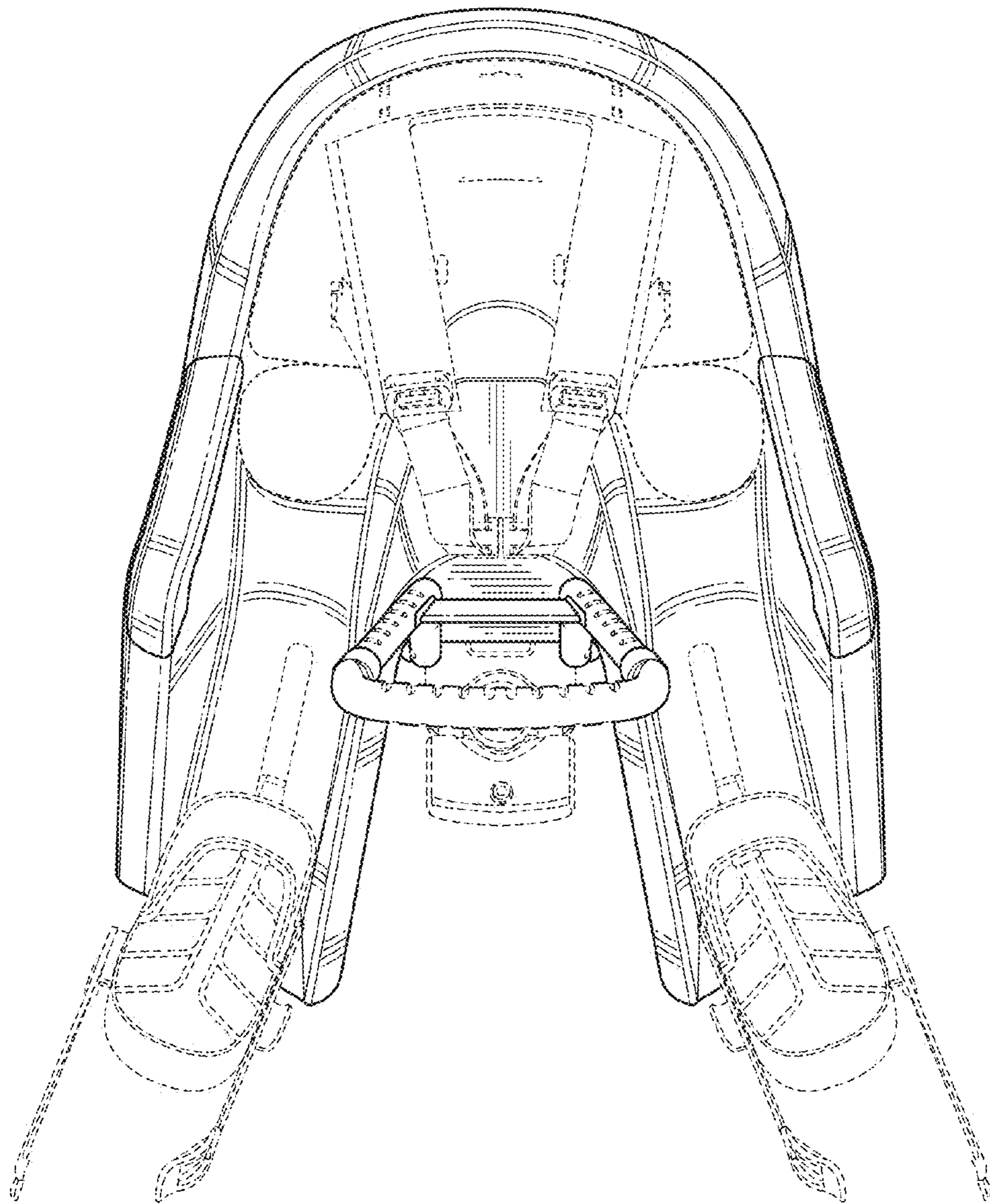


FIG. 6

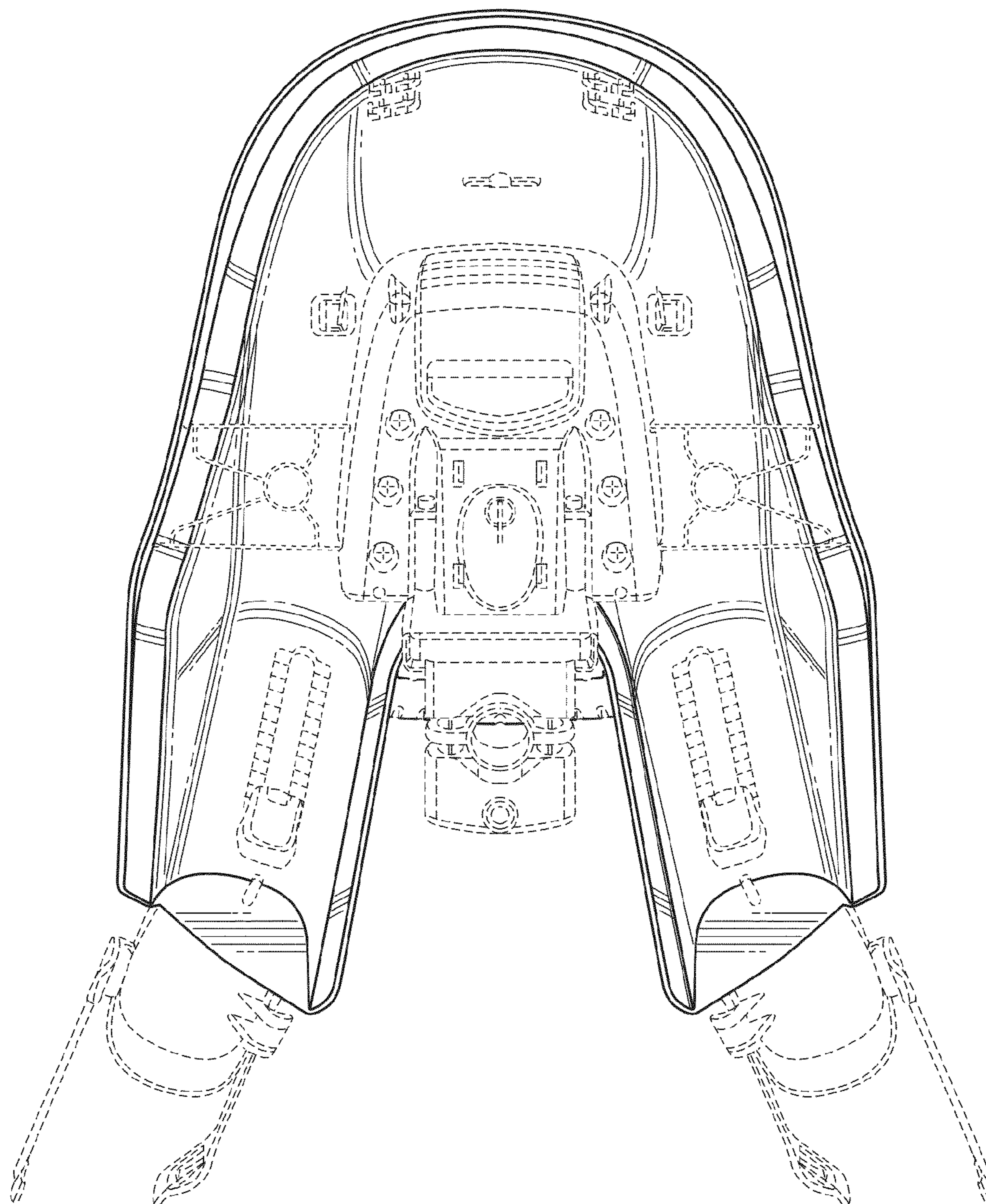


FIG. 7