



US00D727640S

(12) **United States Design Patent**
Carell

(10) **Patent No.:** **US D727,640 S**

(45) **Date of Patent:** **** Apr. 28, 2015**

(54) **CHILD BIKE SEAT**

(71) Applicant: **Thule IP AB**, Malmo (SE)

(72) Inventor: **Anna Carell**, Bromma (SE)

(73) Assignee: **Thule IP AB**, Malmo (SE)

(**) Term: **14 Years**

(21) Appl. No.: **29/461,048**

(22) Filed: **Jul. 18, 2013**

(51) **LOC (10) Cl.** **06-01**

(52) **U.S. Cl.**

USPC **D6/333**

(58) **Field of Classification Search**

USPC D6/333-335, 344, 339, 702, 716,
D6/716.1-716.7; 5/93.1, 99.1, 94, 101,
5/98.1, 947, 103-104, 655; D12/129,
D12/130, 107, 111, 114, 115, 119, 402;
D21/419; 297/250.1, 255, 256.1,
297/256.16, 183.1-183.4, 280, 196,
297/252-254, 256.15, 256.17, 156, 195.13,
297/243; 280/30-31, 202, 288.4; 224/415,
224/427, 453, 431

See application file for complete search history.

(56) **References Cited**

U.S. PATENT DOCUMENTS

D225,294 S * 12/1972 Day D6/375
3,922,035 A * 11/1975 Wener 297/256.13

D294,203 S * 2/1988 Schepis et al. D6/354
D332,877 S * 2/1993 Newbold D6/333
D337,665 S * 7/1993 Tsuchiya D6/339
D356,447 S * 3/1995 Peters D6/333
D367,181 S * 2/1996 Peters D6/333
D381,817 S * 8/1997 Cone, II D6/333
D399,659 S * 10/1998 Reiland et al. D6/333
D416,699 S * 11/1999 Schwartz et al. D6/369
D690,974 S * 10/2013 Pollack D6/716
D699,042 S * 2/2014 Baldelli D6/333

* cited by examiner

Primary Examiner — Caron D Veynar

Assistant Examiner — Abraham Bahta

(74) *Attorney, Agent, or Firm* — Sheridan Ross P.C.

(57) **CLAIM**

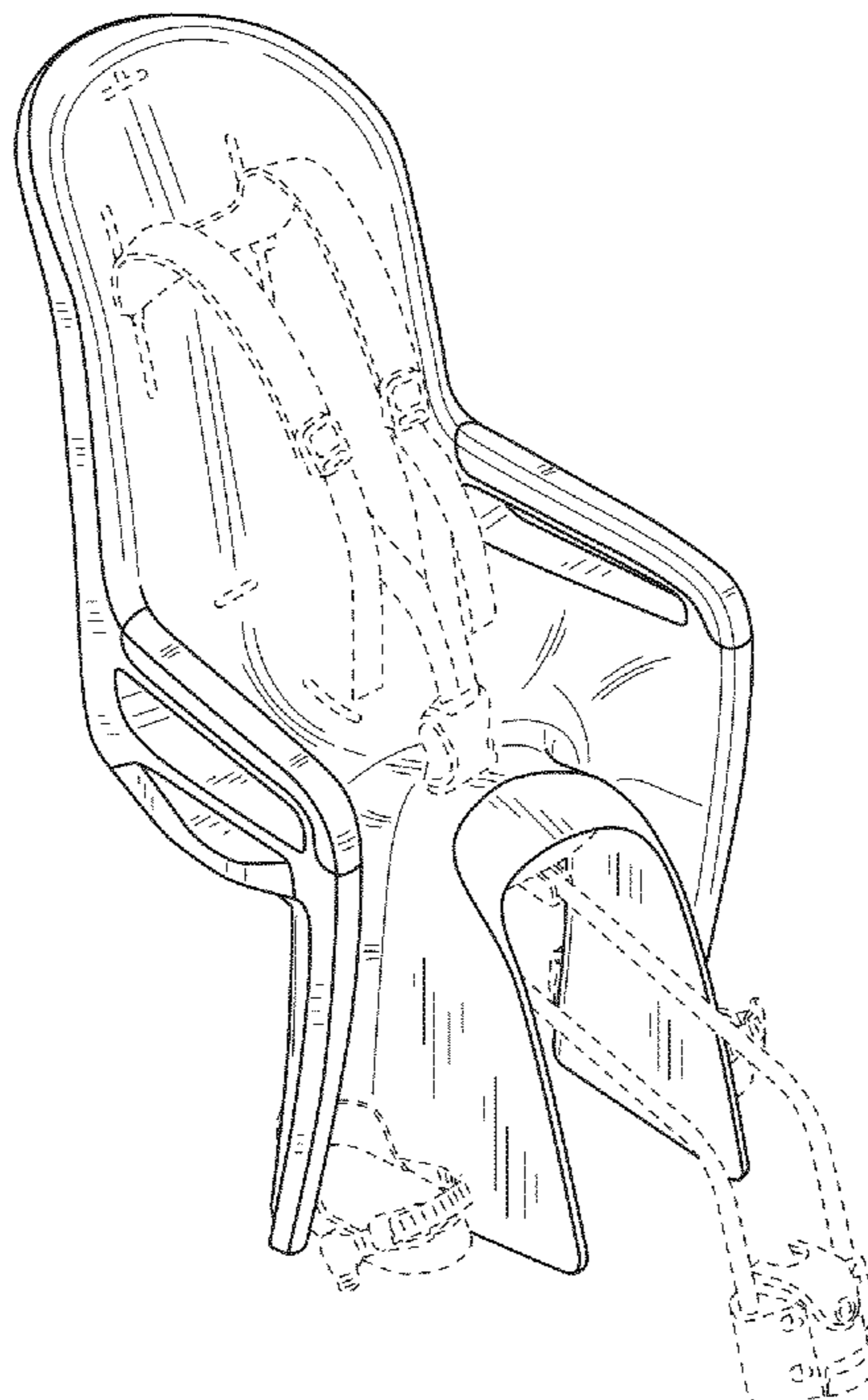
The ornamental design for a child bike seat, as shown and described.

DESCRIPTION

FIG. 1 is a front perspective view of the child bike seat;
FIG. 2 is a front elevation view thereof;
FIG. 3 is a rear elevation view thereof;
FIG. 4 is a right elevation view thereof;
FIG. 5 is a left elevation view thereof;
FIG. 6 is a top plan view thereof; and,
FIG. 7 is a bottom plan view thereof.

The broken lines illustrate environment and are included for the purpose of illustrating unclaimed features of the design.

1 Claim, 4 Drawing Sheets



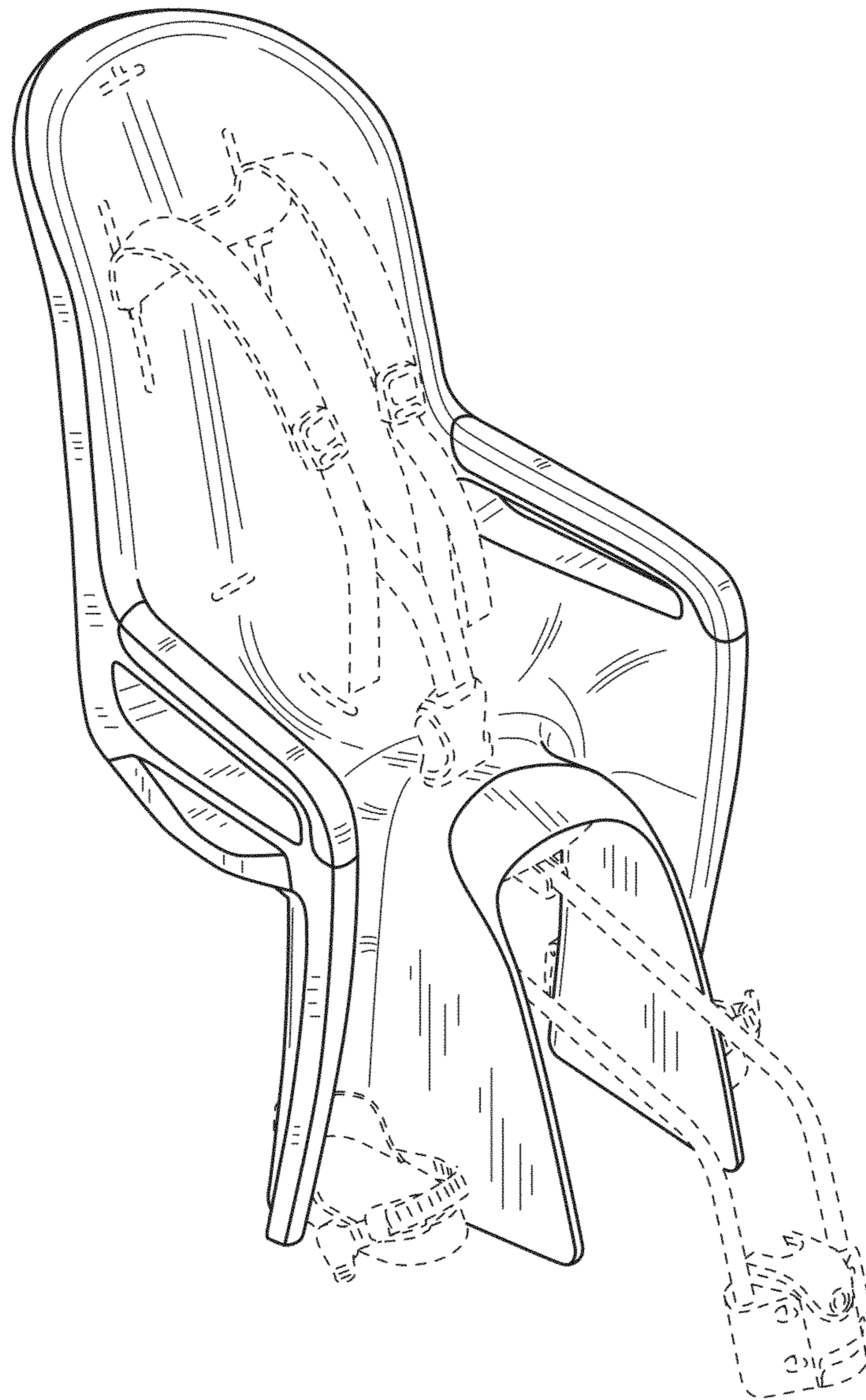


FIG.1

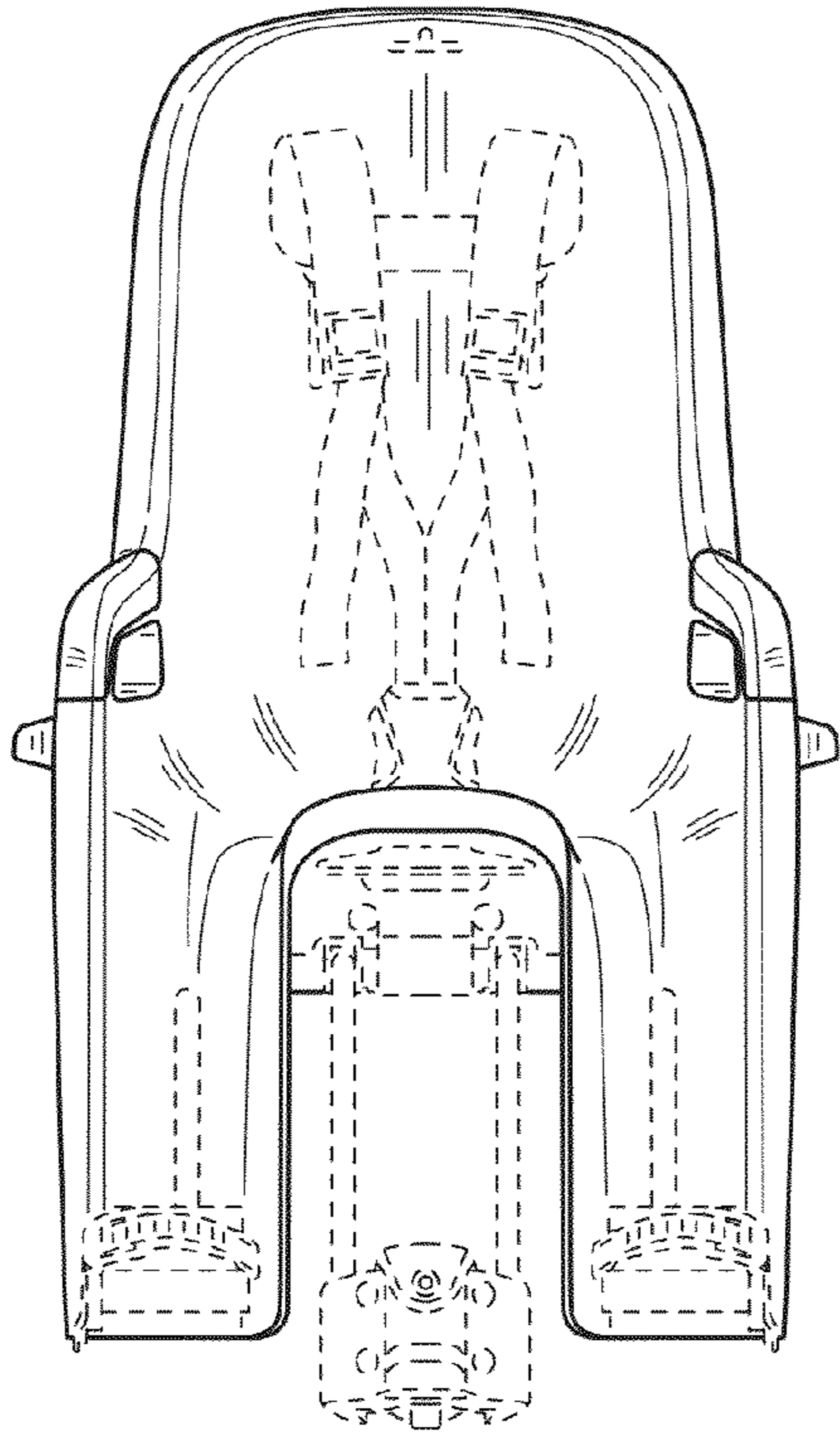


FIG. 2

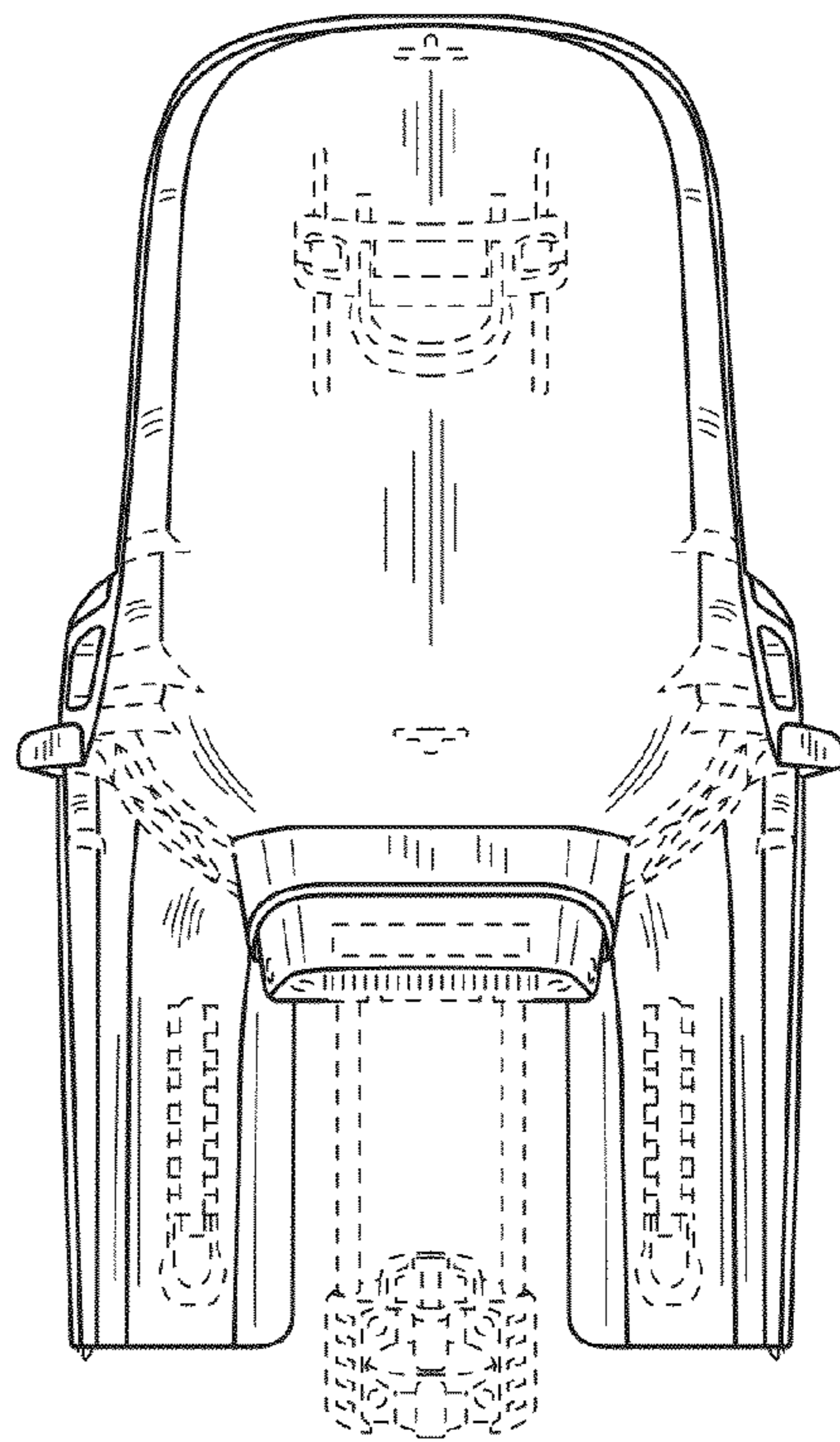


FIG. 3

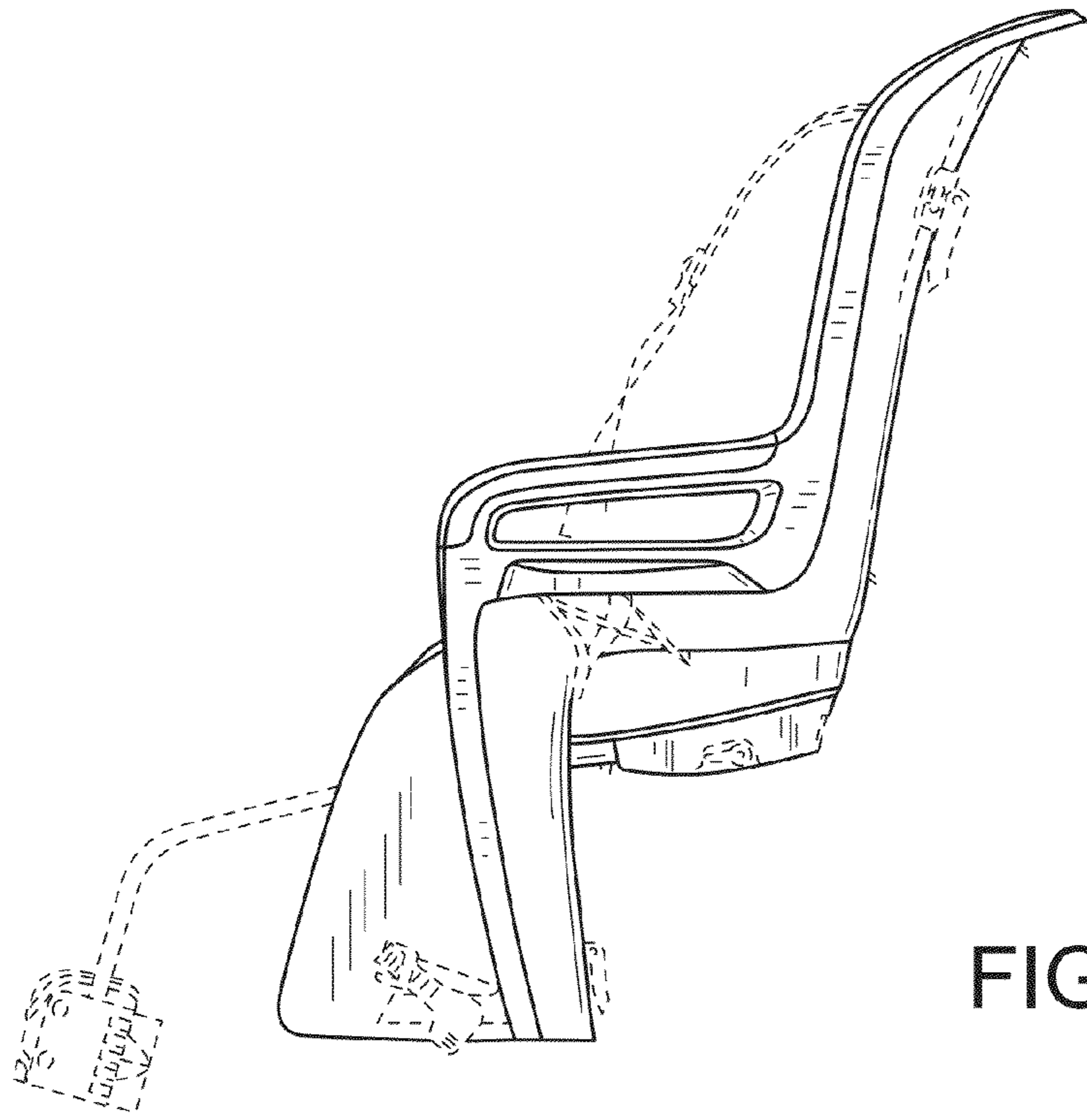


FIG.4

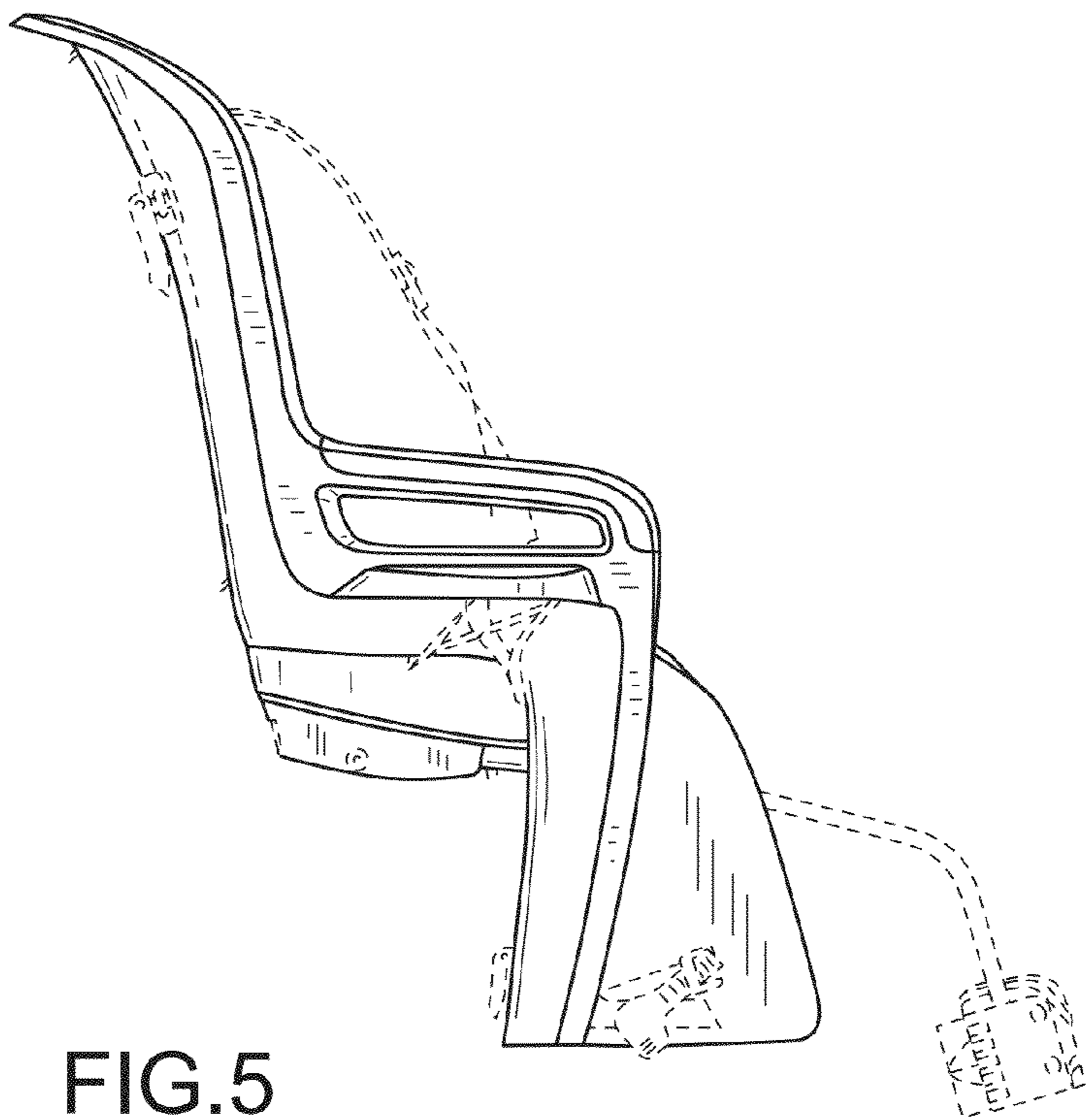


FIG.5

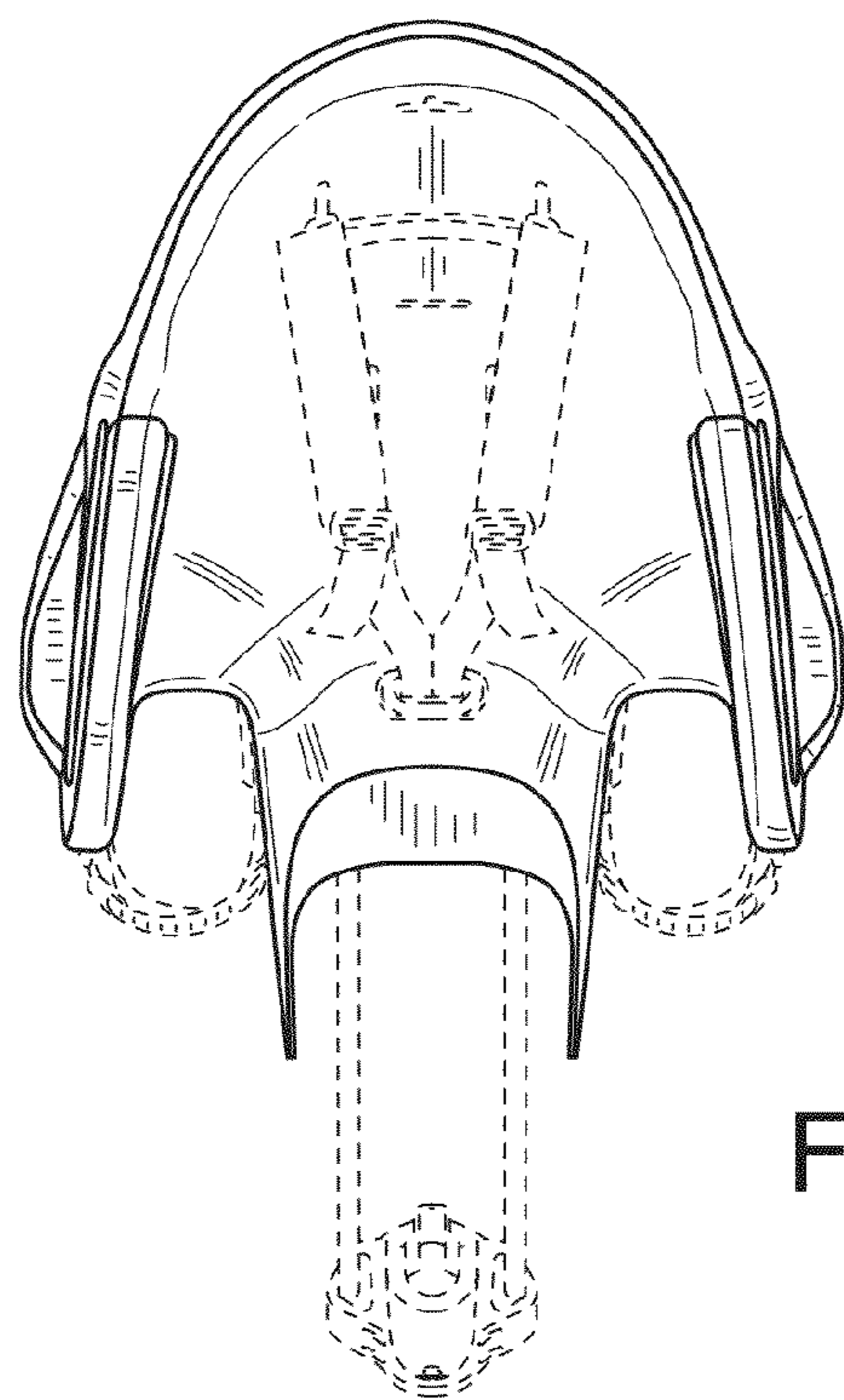


FIG. 6

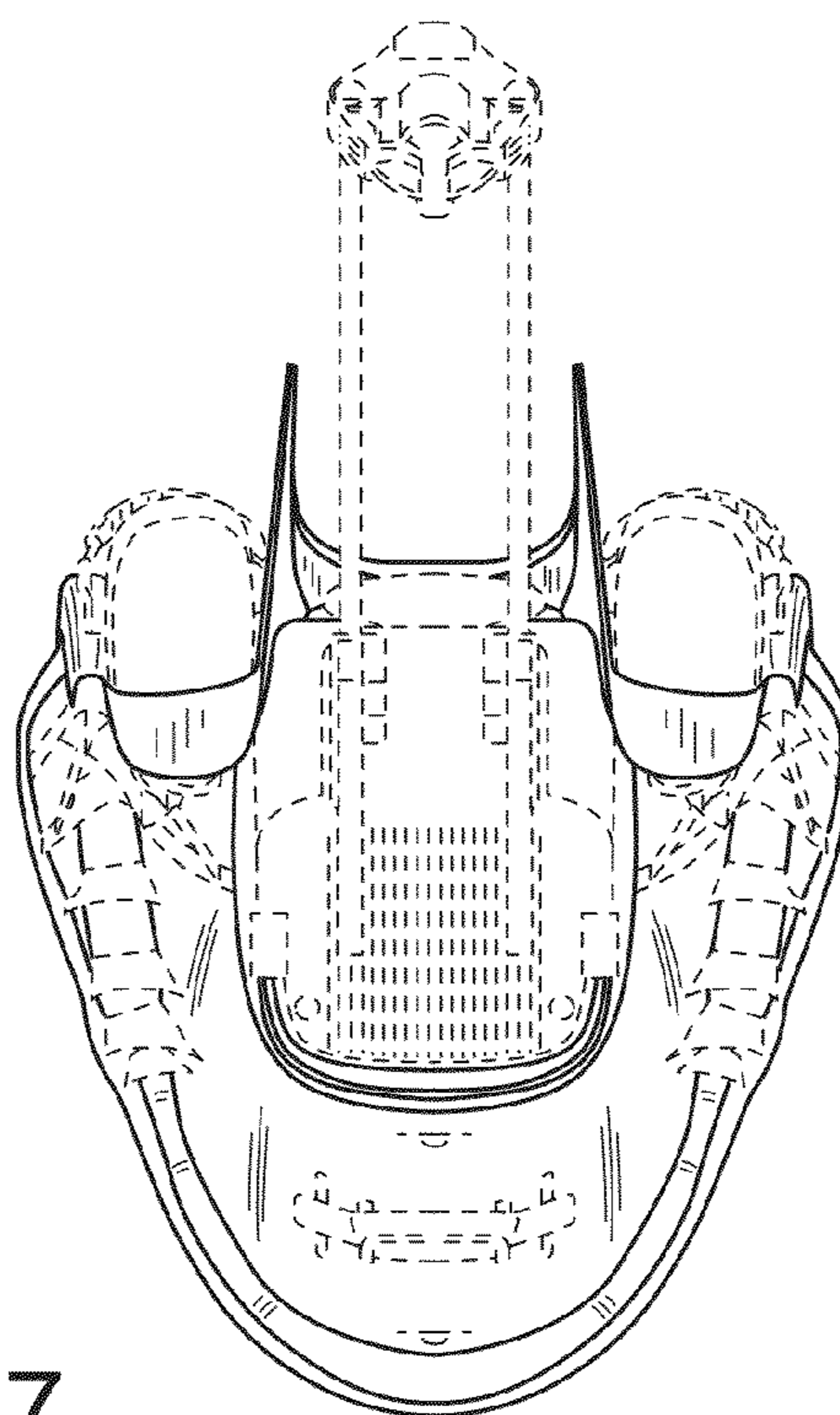


FIG. 7