



US00D727638S

(12) **United States Design Patent**
Tsuchiyama et al.

(10) **Patent No.:** **US D727,638 S**
(45) **Date of Patent:** **** Apr. 28, 2015**

(54) **PARTITION PANEL**

(71) Applicant: **Okamura Corporation**, Yokohama-shi,
Kanagawa (JP)

(72) Inventors: **Waku Tsuchiyama**, Yokohama (JP);
Haruhiko Kitajima, Yokohama (JP)

(73) Assignee: **Okamura Corporation**, Kanagawa (JP)

(**) Term: **14 Years**

(21) Appl. No.: **29/475,533**

(22) Filed: **Dec. 4, 2013**

(30) **Foreign Application Priority Data**

Jun. 7, 2013 (JP) 2013-012893

(51) **LOC (10) Cl.** **06-06**

(52) **U.S. Cl.**
USPC **D6/332**

(58) **Field of Classification Search**
USPC D6/332; D25/56, 138; 52/481.2,
52/745.16, 239, 238.1; 160/135, 161, 351
See application file for complete search history.

(56) **References Cited**

U.S. PATENT DOCUMENTS

3,477,492 A * 11/1969 Suess 160/135
3,538,976 A * 11/1970 Jones et al. 160/130
D303,458 S * 9/1989 Zapf D6/332
D305,704 S * 1/1990 Jones et al. D6/332

4,947,601 A * 8/1990 McGuire 52/239
D458,040 S * 6/2002 Stannis et al. D6/332
D458,041 S * 6/2002 Couture et al. D6/332
7,377,078 B2 * 5/2008 Golino et al. 52/36.4
D641,560 S * 7/2011 Thompson D6/332
2002/0129575 A1 * 9/2002 Diffrient et al. 52/239
2005/0039412 A1 * 2/2005 Fritsche et al. 52/239

* cited by examiner

Primary Examiner — Doris Clark

(74) *Attorney, Agent, or Firm* — Sughrue Mion, PLLC

(57) **CLAIM**

The ornamental design for a partition panel, as shown and described.

DESCRIPTION

FIG. 1 is a perspective view of a partition panel.
FIG. 2 is a front elevation view thereof. A rear elevation view is a mirror image of the front side elevation view.
FIG. 3 is a right side elevation view thereof.
FIG. 4 is a left side elevation view thereof.
FIG. 5 is a top plan view thereof.
FIG. 6 is a bottom plan view thereof.
FIG. 7 is an enlarged cross-sectional view taken along the line 7-7 in FIG. 2.
FIG. 8 is an enlarged cross-sectional view taken along the line 8-8 in FIG. 2; and,
FIG. 9 is a referential view showing use thereof.
The portions shown in broken lines in FIG. 9 are for the purpose of showing environmental structure only and form no part of the claimed design.

1 Claim, 9 Drawing Sheets

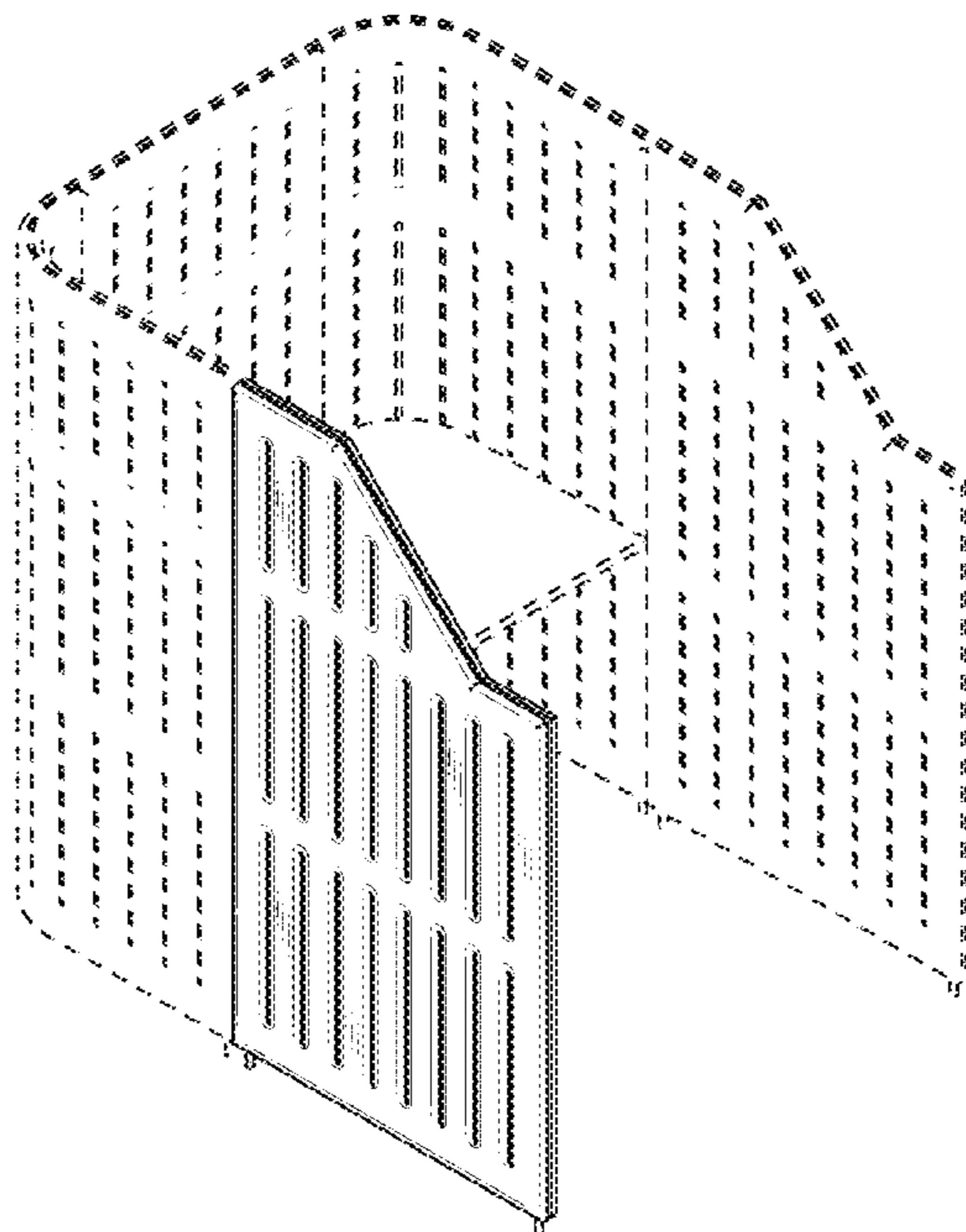


FIG. 1

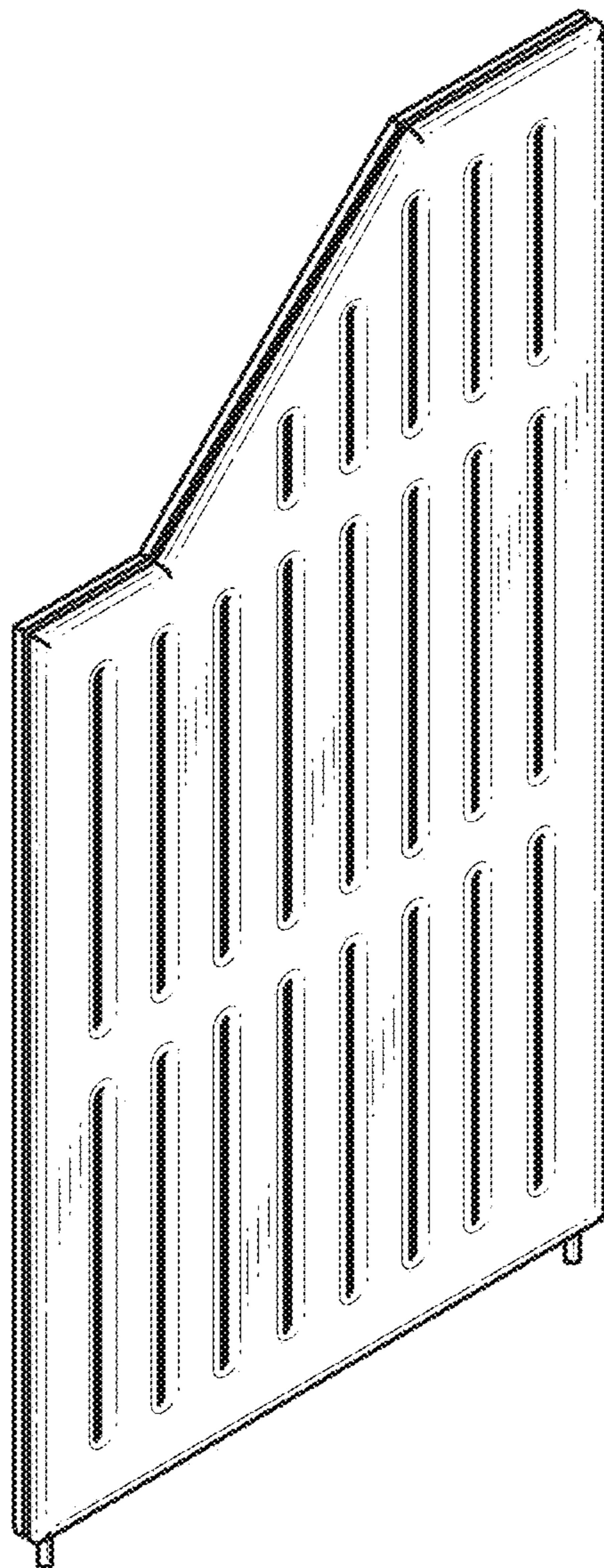


FIG. 2

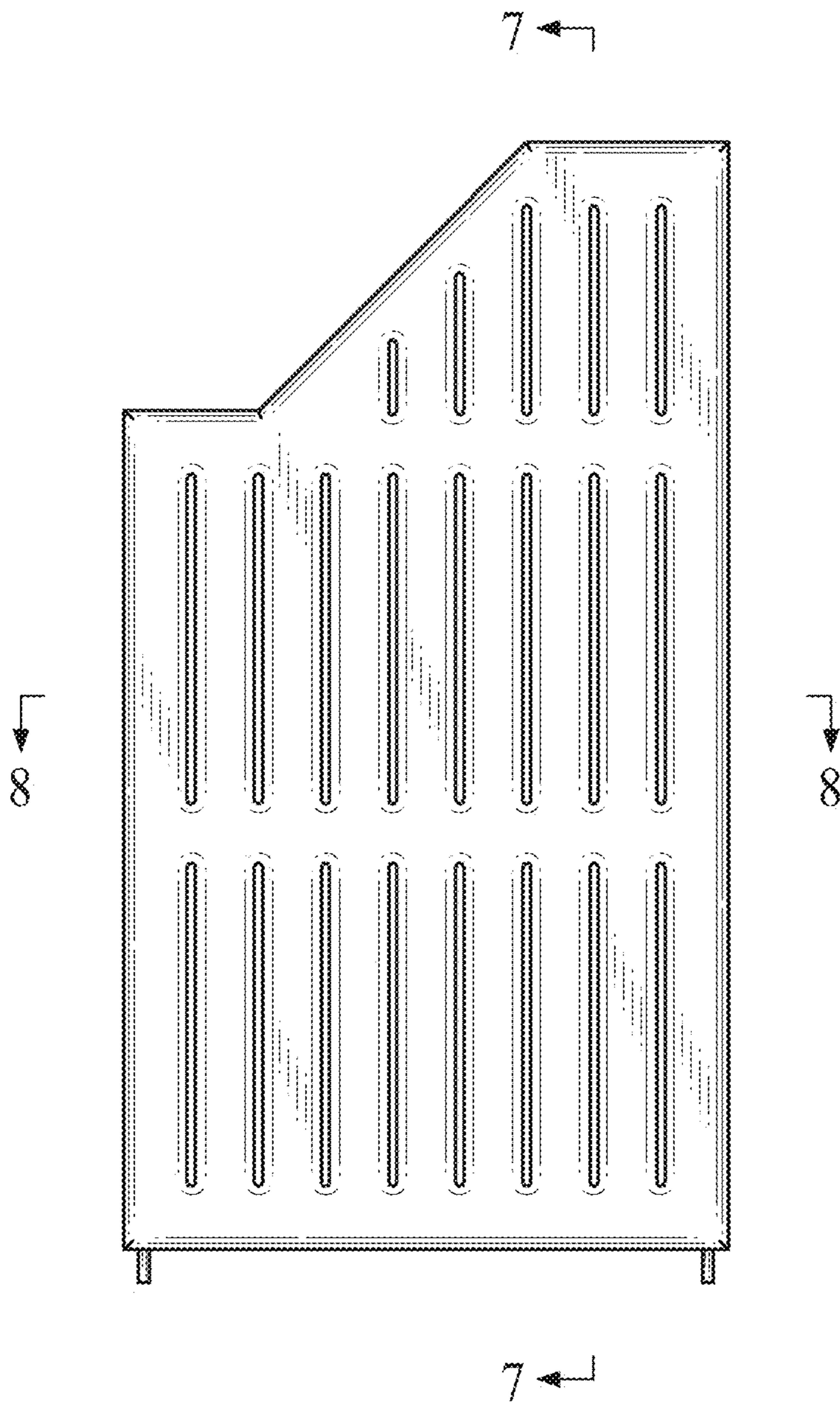


FIG. 3



FIG. 4

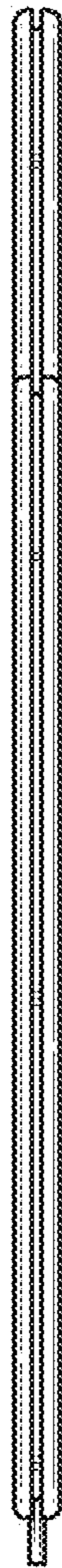


FIG. 5

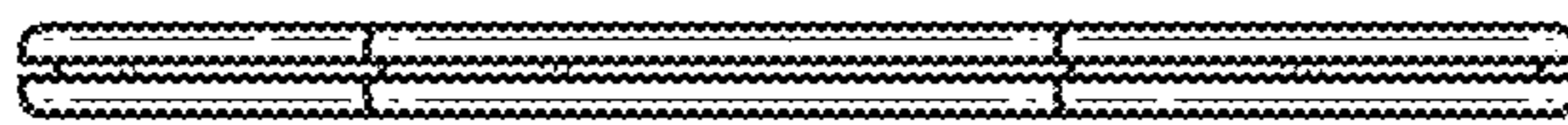


FIG. 6



FIG. 7

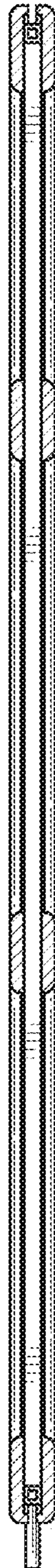


FIG. 8



FIG. 9

