



US00D727632S

(12) **United States Design Patent**  
**Sanchez et al.**

(10) **Patent No.:** **US D727,632 S**

(45) **Date of Patent:** **\*\* Apr. 28, 2015**

(54) **TIE RACK**

(71) Applicant: **Hardware Resources, Inc.**, Bossier City, LA (US)

(72) Inventors: **Marisa Sanchez**, Bossier City, LA (US);  
**Kukjin Han**, Bossier City, LA (US)

(73) Assignee: **Hardware Resources, Inc.**, Bossier City, LA (US)

(\*\*) Term: **14 Years**

(21) Appl. No.: **29/504,161**

(22) Filed: **Oct. 2, 2014**

(51) **LOC (10) Cl.** ..... **06-08**

(52) **U.S. Cl.**  
USPC ..... **D6/323; D6/324**

(58) **Field of Classification Search**  
USPC ..... D6/315-328, 513, 514, 546, 552, 553,  
D6/567, 569, 570; 223/85-98; 211/10,  
211/13.1, 60.1, 63, 85.3, 86.01, 87.01,  
211/88.04, 97, 94.01, 96, 104, 113,  
211/119.004; D8/372, 373, 380, 381, 376  
See application file for complete search history.

(56) **References Cited**

**U.S. PATENT DOCUMENTS**

D124,740 S \* 1/1941 Huber ..... D6/320  
D127,295 S \* 5/1941 Franklin ..... D6/320

2,499,159 A \* 2/1950 Pestyner ..... 211/96  
D158,166 S \* 4/1950 Williams ..... D6/324  
D168,529 S \* 1/1953 Baker et al. .... D6/320  
5,535,896 A \* 7/1996 Morgan, Sr. .... 211/96  
D486,683 S \* 2/2004 Devine ..... D6/566  
D557,543 S \* 12/2007 Hanson ..... D6/570  
D582,686 S \* 12/2008 Belokin ..... D6/315  
D651,414 S \* 1/2012 Noe et al. .... D6/323  
D677,093 S \* 3/2013 Benjamin ..... D6/570  
2003/0106868 A1 \* 6/2003 Cramer ..... 211/106.01

\* cited by examiner

*Primary Examiner* — Derrick Holland

*Assistant Examiner* — Lauren Calve

(74) *Attorney, Agent, or Firm* — Schultz & Associates, P.C.

(57) **CLAIM**

The ornamental design for a tie rack, as shown and described.

**DESCRIPTION**

FIG. 1 is a perspective view of a tie rack showing our new design;

FIG. 2 is a front elevation view thereof;

FIG. 3 is a side elevation view thereof;

FIG. 4 is a bottom plan view thereof; and,

FIG. 5 is a top plan view thereof.

The broken lines shown represent unclaimed subject matter and form no part of the claimed design.

**1 Claim, 3 Drawing Sheets**

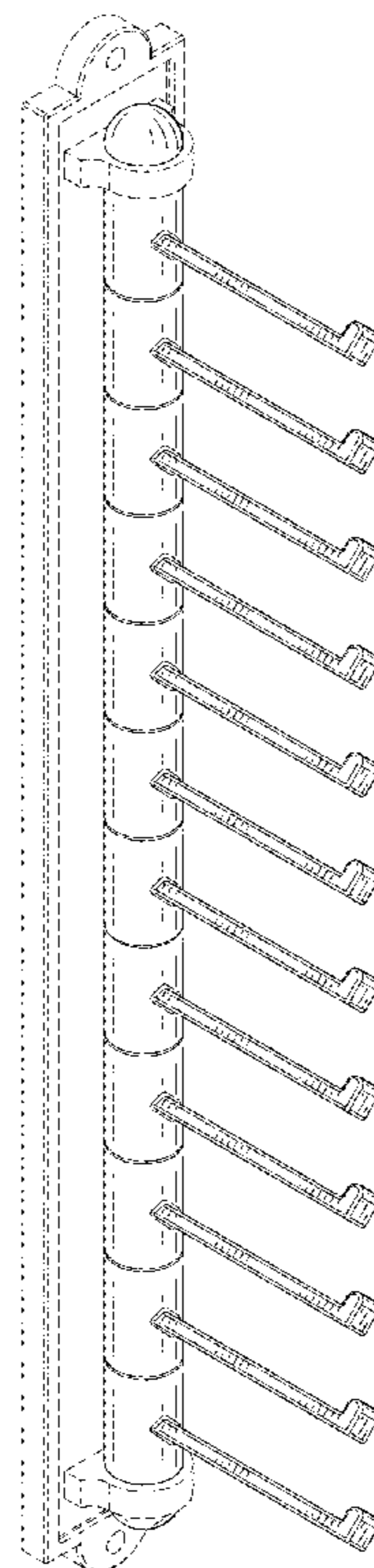
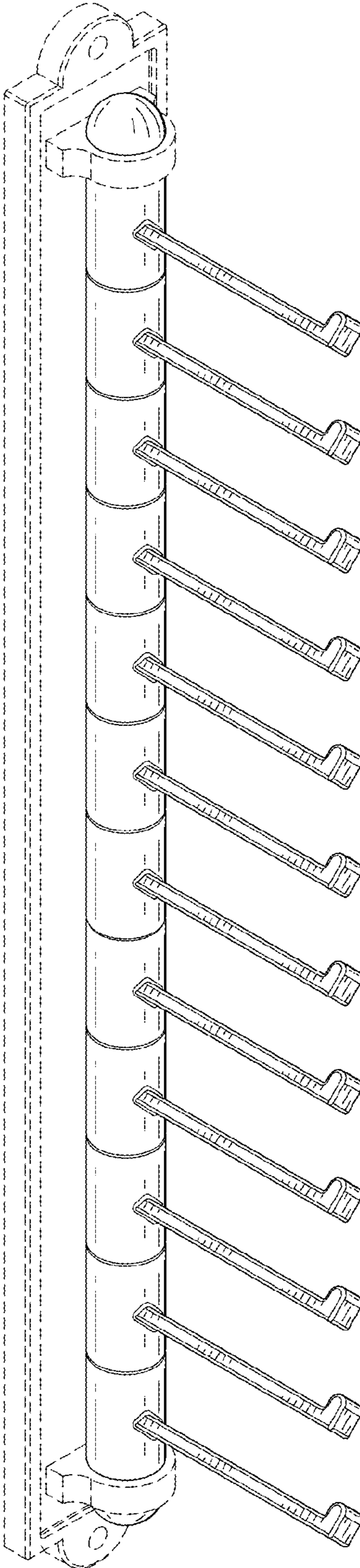


FIG. 1



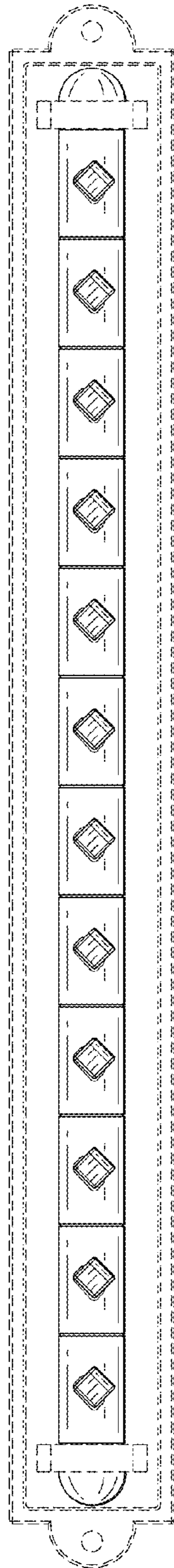


FIG. 2

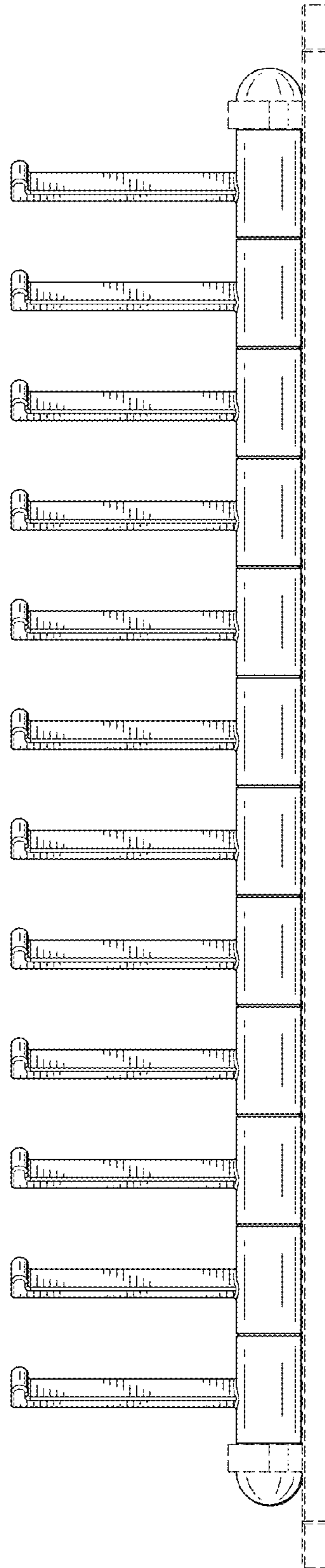


FIG. 3

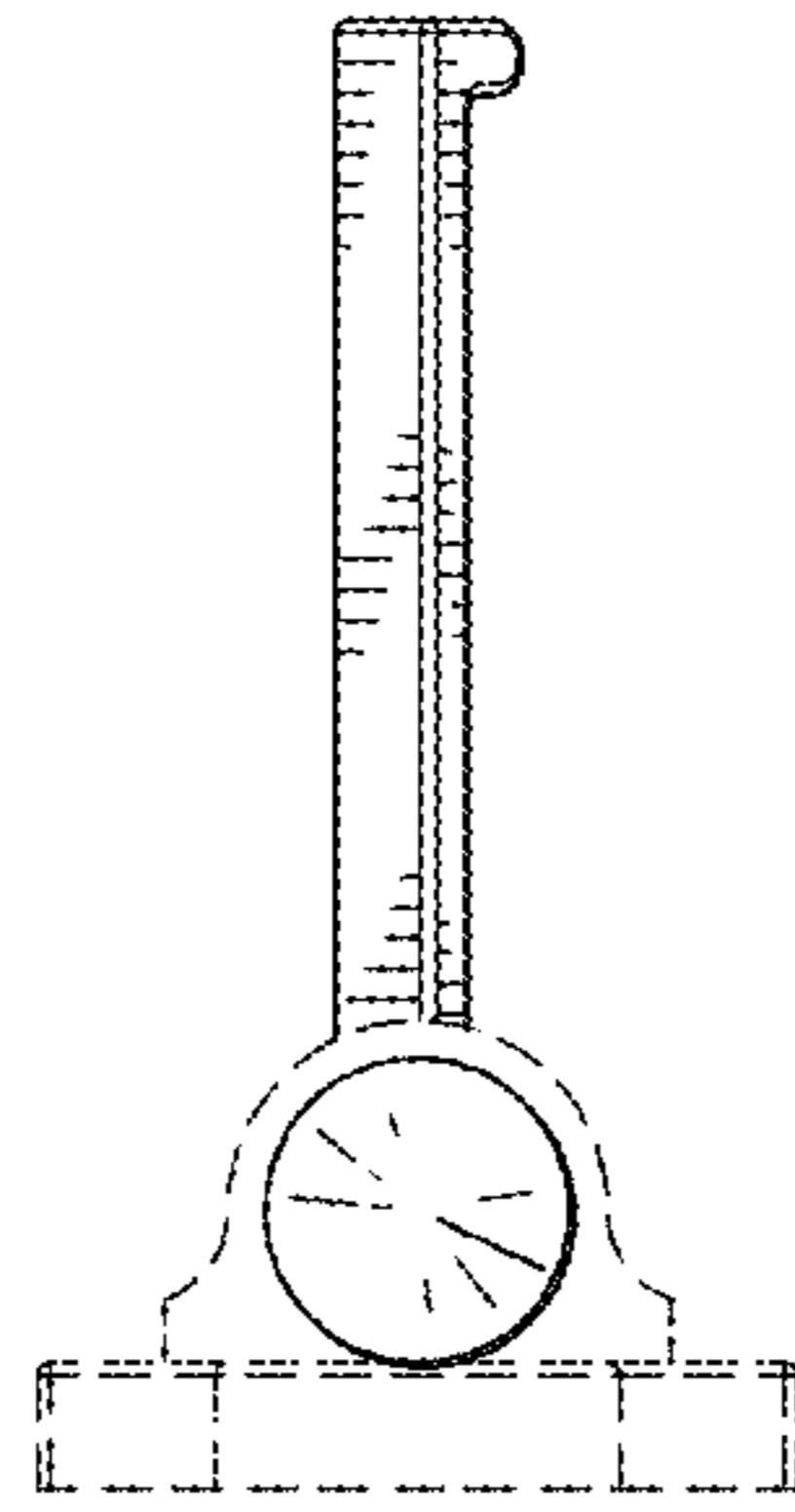


FIG. 4

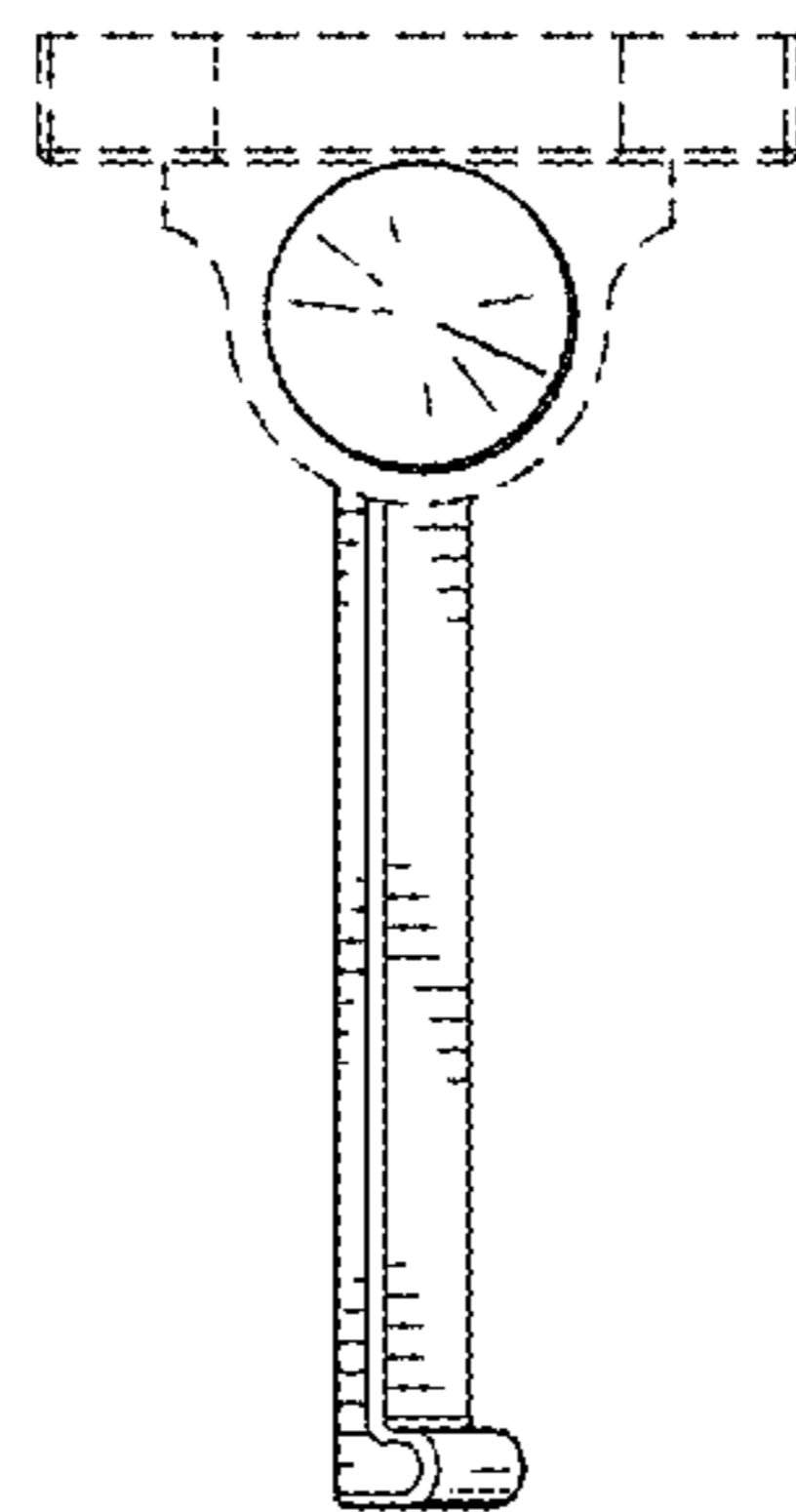


FIG. 5