



US00D727631S

(12) **United States Design Patent**  
**Irvin**

(10) **Patent No.:** **US D727,631 S**  
(45) **Date of Patent:** **\*\* Apr. 28, 2015**

- (54) **ROTATABLE HANGER DEVICE**
- (71) Applicant: **Janine C. Irvin**, Tucson, AZ (US)
- (72) Inventor: **Janine C. Irvin**, Tucson, AZ (US)
- (\*\*) Term: **14 Years**
- (21) Appl. No.: **29/501,649**
- (22) Filed: **Sep. 5, 2014**
- (51) **LOC (10) Cl.** ..... **06-08**
- (52) **U.S. Cl.**  
USPC ..... **D6/323**
- (58) **Field of Classification Search**  
USPC ..... D6/315-328, 513, 514, 546, 552, 553,  
D6/567, 569, 570; 223/85-98; 211/10,  
211/13.1, 60.1, 63, 85.3, 86.01, 87.01,  
211/88.04, 97, 94.01, 113, 119.004;  
D8/372, 373, 380, 381, 376  
See application file for complete search history.

- D566,405 S \* 4/2008 Belokin ..... D6/315
- D653,462 S \* 2/2012 Trexler ..... D6/323
- 2003/0222040 A1 \* 12/2003 Boysen ..... 211/96
- 2008/0087619 A1 \* 4/2008 Laney ..... 211/119.004

\* cited by examiner

*Primary Examiner* — Derrick Holland

*Assistant Examiner* — Lauren Calve

(74) *Attorney, Agent, or Firm* — Dale F. Regelman; Quarles & Brady LLP

(57) **CLAIM**

The ornamental design for a rotatable hanger device, as shown and described.

**DESCRIPTION**

FIG. 1 is a front view of a rotatable hanger device according to the present invention;  
FIG. 2 is a back view thereof;  
FIG. 3 is a first side view thereof;  
FIG. 4 is a second side view thereof;  
FIG. 5 is a top end view thereof; and,  
FIG. 6 is a bottom end view thereof.

(56) **References Cited**  
U.S. PATENT DOCUMENTS

- D190,608 S \* 6/1961 Forrester ..... D8/372
- D486,309 S \* 2/2004 Abdi et al. .... D6/315

**1 Claim, 5 Drawing Sheets**

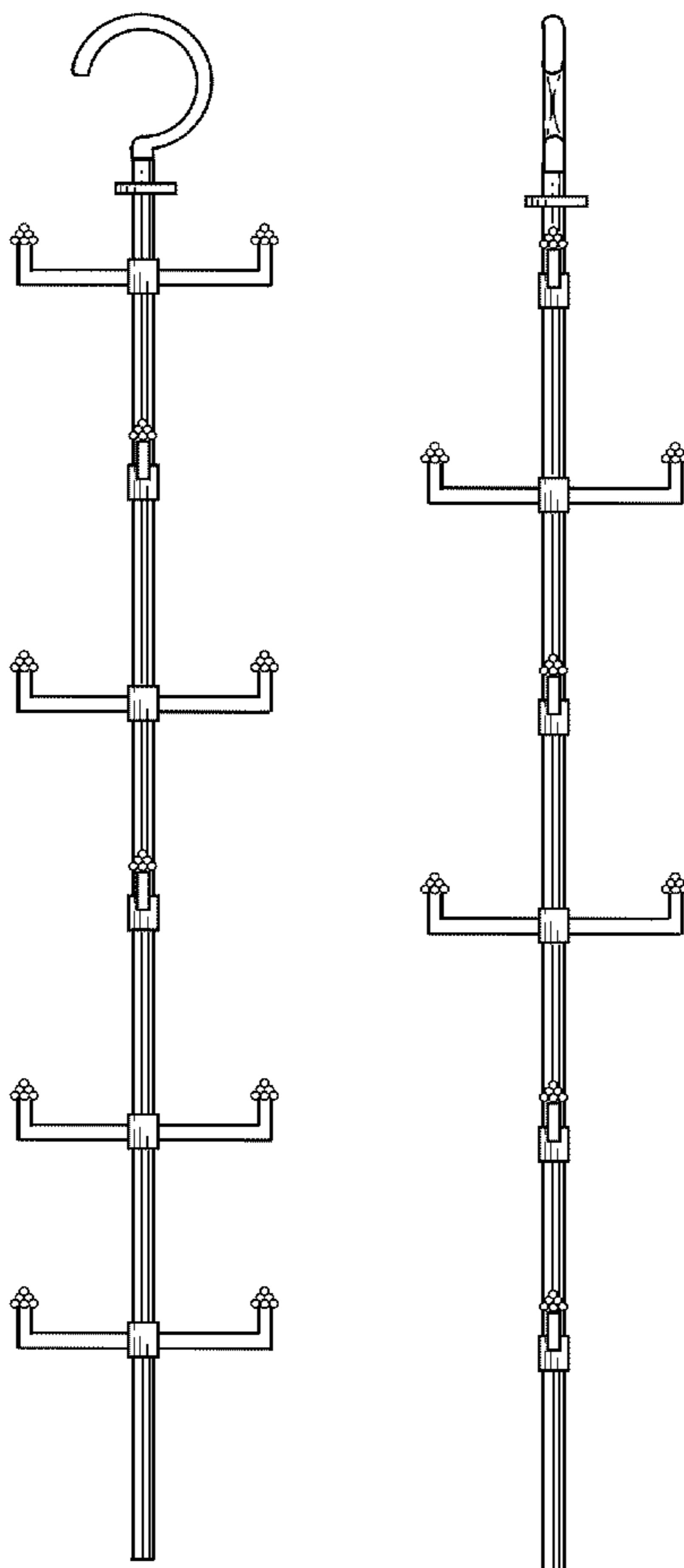


FIG. 1

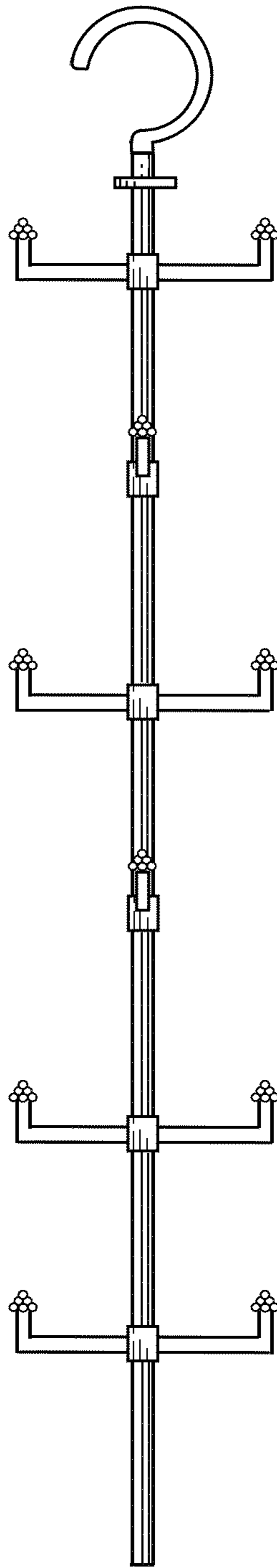


FIG. 2

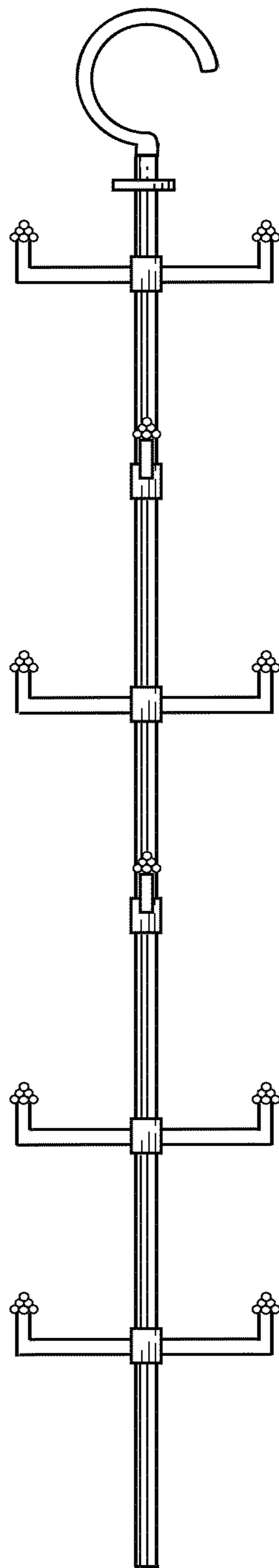


FIG. 3

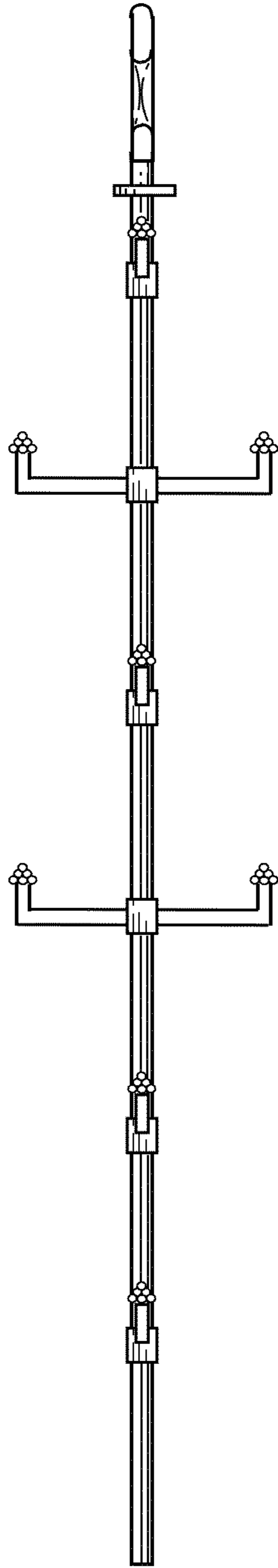


FIG. 4

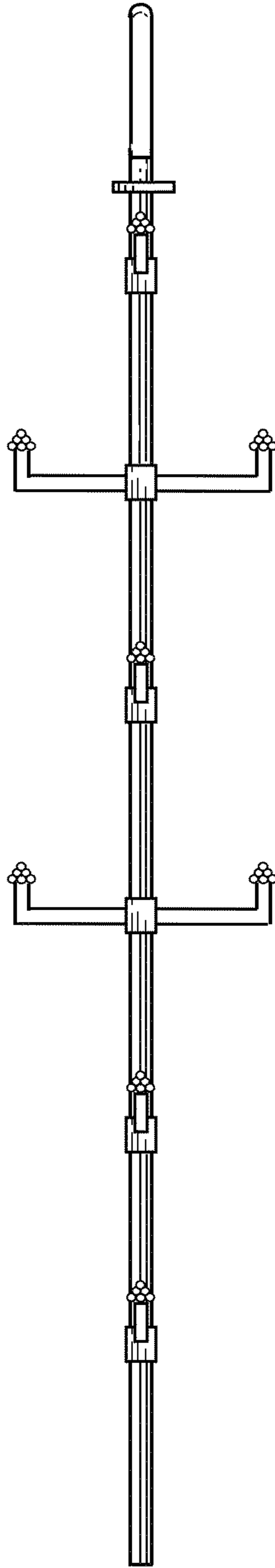


FIG. 5

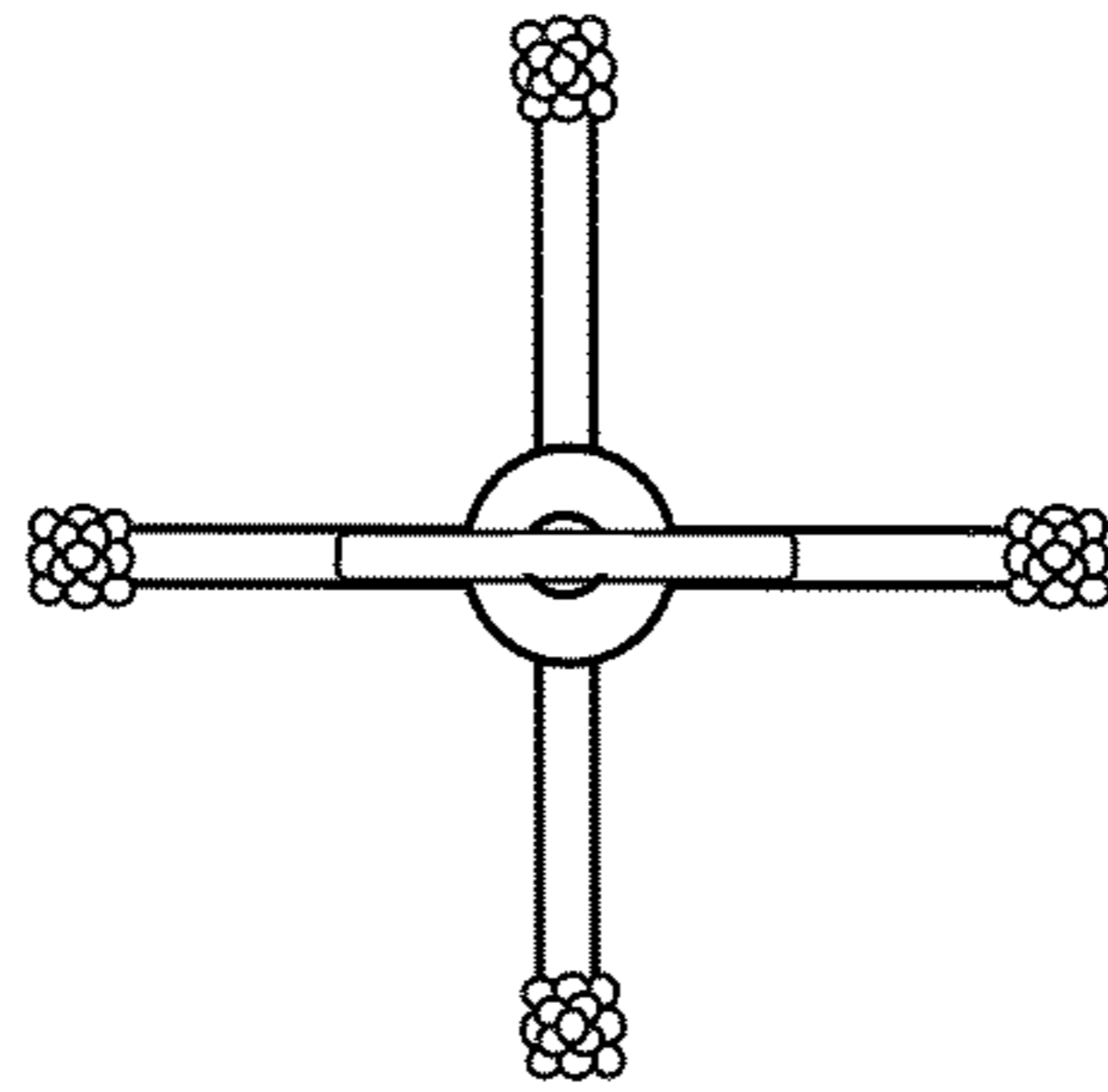


FIG. 6

