



US00D727630S

(12) **United States Design Patent**  
**Zadro**

(10) **Patent No.:** **US D727,630 S**  
(45) **Date of Patent:** **\*\* Apr. 28, 2015**

(54) **DUAL PIVOT AXIS, DUAL MAGNIFICATION ILLUMINATED TABLE MIRROR**

(71) Applicant: **Zlatko Zadro**, Huntington Beach, CA (US)

(72) Inventor: **Zlatko Zadro**, Huntington Beach, CA (US)

(\*\*) Term: **14 Years**

(21) Appl. No.: **29/469,031**

(22) Filed: **Oct. 6, 2013**

(51) **LOC (10) Cl.** ..... **06-07**

(52) **U.S. Cl.**  
USPC ..... **D6/312**; D6/310

(58) **Field of Classification Search**  
CPC ..... A45D 42/10; A45D 42/16; A45D 33/008;  
A45D 42/22; F21V 33/004; F21V 21/30;  
A47G 1/02; A47G 2200/08  
USPC ..... D6/300-314, 444; D10/122, 123, 126;  
D24/139; D20/10, 21, 29-32; D26/44,  
D26/56, 63; D8/352; 359/879, 871; 40/735,  
40/738, 597, 744, 745, 754, 765, 768, 769,  
40/790, 798; 248/466-467  
See application file for complete search history.

(56) **References Cited**

**U.S. PATENT DOCUMENTS**

D379,125 S *	5/1997	Simjian	.....	D6/309
D413,543 S *	9/1999	Behr	.....	D11/79
D427,647 S *	7/2000	Wise et al.	.....	D21/483
D437,492 S *	2/2001	Wai	.....	D6/309
6,273,585 B1 *	8/2001	Wu	.....	362/135
D509,369 S *	9/2005	Snell	.....	D6/310
7,048,406 B1 *	5/2006	Shih	.....	362/135
D540,549 S *	4/2007	Yue	.....	D6/312

(Continued)

**OTHER PUBLICATIONS**

Sanliv Makeup Mirror, available Aug. 3, 2009, [online], [site visited Nov. 10, 2014]. Available from internet, <URL: <http://www.sanliv.com/bathroom-accessories/table-top-lighted-make-up-mirror-1003/>>.\*

(Continued)

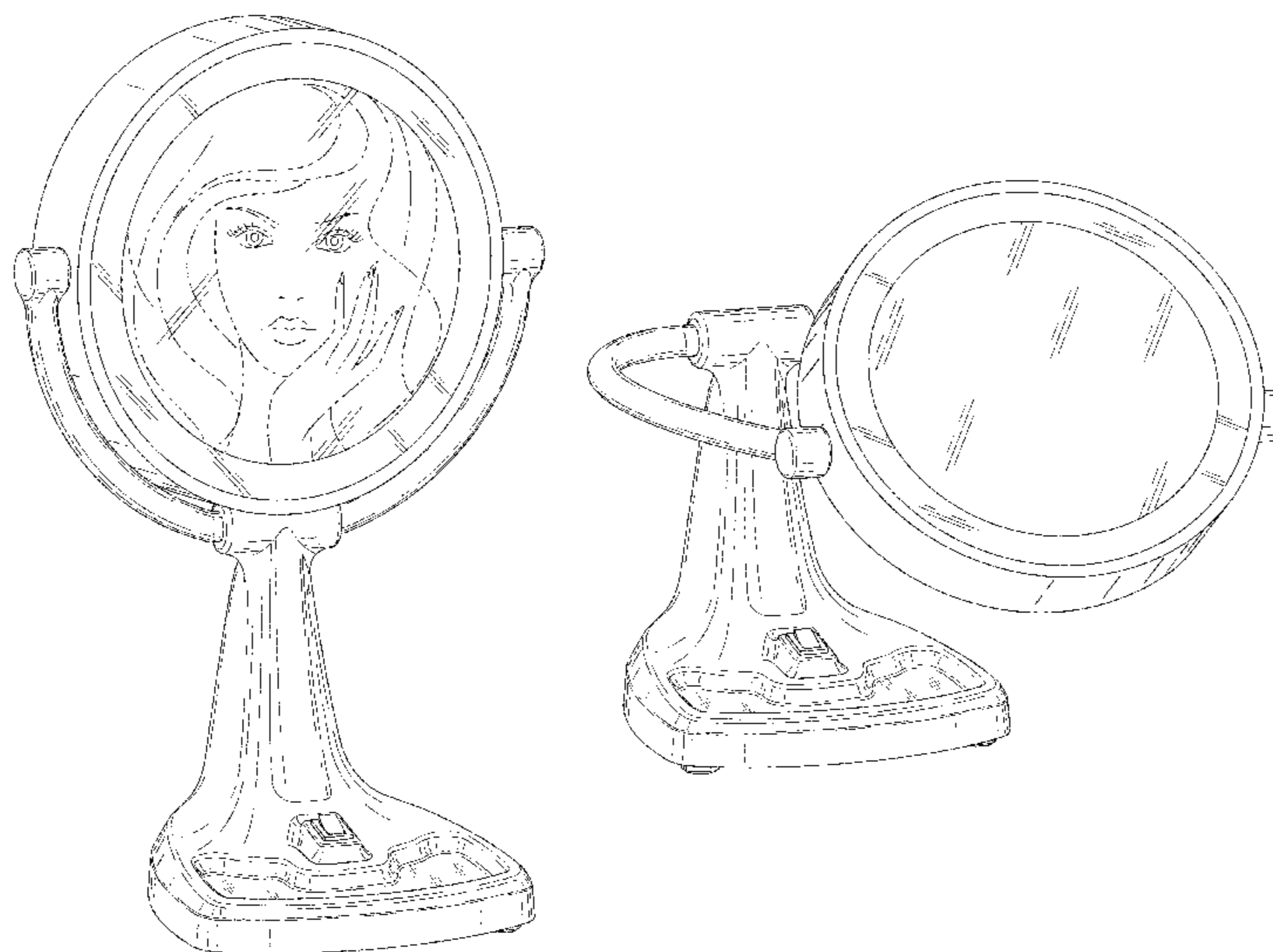
*Primary Examiner* — Cathron Brooks  
*Assistant Examiner* — Teddy Falloway  
(74) *Attorney, Agent, or Firm* — William L. Chapin

(57) **CLAIM**  
The ornamental design for a dual pivot axis, dual magnification illuminated table mirror, as shown and described.

**DESCRIPTION**

FIG. 1 is a front perspective view of a dual pivot axis, dual magnification illuminated table mirror according to the present invention.  
FIG. 2 is a front elevation view thereof.  
FIG. 3 is a right-side elevation view thereof.  
FIG. 4 is a rear elevation view thereof.  
FIG. 5 is a left-side elevation view thereof.  
FIG. 6 is an upper plan view thereof.  
FIG. 7 is a lower plan view thereof.  
FIG. 8 is an upper left perspective of the mirror of FIG. 1, showing the mirror in a first alternate configuration in which a mirror frame thereof is tilted upward about a first, mirror-frame pivot axis.  
FIG. 9 is a perspective view of the mirror of FIGS. 1 and 8, showing the mirror in a second alternate configuration in which a mirror frame support yoke thereof is pivoted downward and forward about a second, mirror frame support yoke pivot axis from the vertical orientation shown in FIGS. 1 and 8 to a horizontal orientation.  
FIG. 10 is a front elevation view of the mirror of FIG. 9.  
FIG. 11 is a right-side elevation view of the mirror of FIG. 9; and,  
FIG. 12 is a rear view of the mirror of FIG. 9.  
The broken lines shown in the drawings are included for the purpose of illustrating environmental subject matter and form no part of the claimed design.

**1 Claim, 12 Drawing Sheets**



(56)

**References Cited**

U.S. PATENT DOCUMENTS

D549,968 S \* 9/2007 Pitot et al. .... D6/312  
D574,159 S \* 8/2008 Howard ..... D6/310  
7,513,476 B1 \* 4/2009 Huang ..... 248/474  
D602,092 S \* 10/2009 Tonnessen et al. .... D20/42  
D657,576 S \* 4/2012 Pitot ..... D6/309  
8,162,502 B1 \* 4/2012 Zadro ..... 362/141  
8,356,908 B1 \* 1/2013 Zadro ..... 362/136  
D707,454 S \* 6/2014 Pitot ..... D6/309

2004/0089584 A1\* 5/2004 Zadro ..... 206/581  
2013/0026512 A1\* 1/2013 Tsai ..... 257/91

OTHER PUBLICATIONS

Zadro Max Bright Surround Light Sunlight Dual Sided Vanity Mirror, available Jul. 12, 2014, [online], [site visited Nov. 10, 2014]. Available from internet, <URL: <http://www.amazon.com/Zadro-Bright-Surround-Sunlight-Magnification/dp/B00H93KKY2>>.\*

\* cited by examiner

FIG. 1

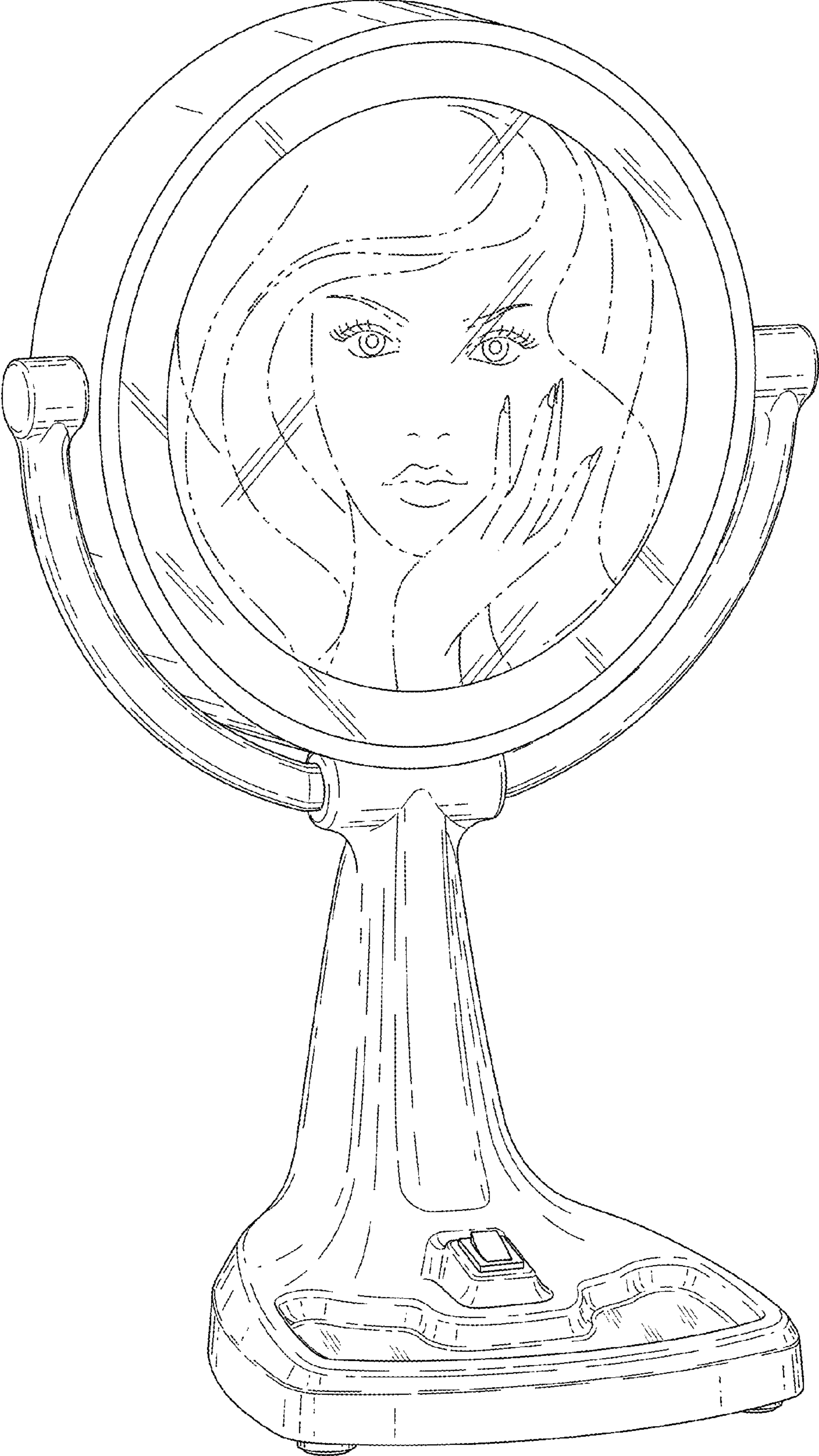


FIG. 2

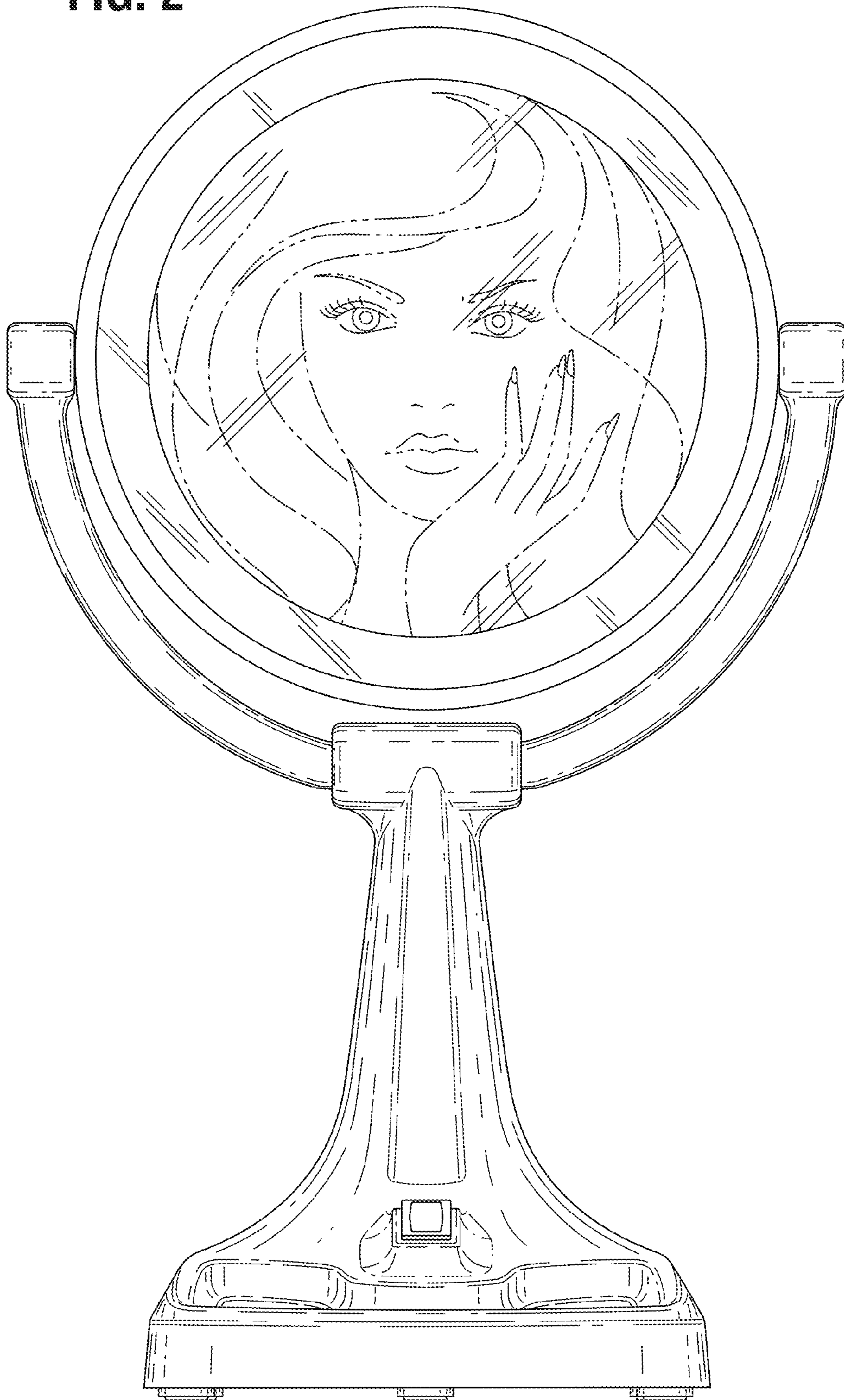


FIG. 3

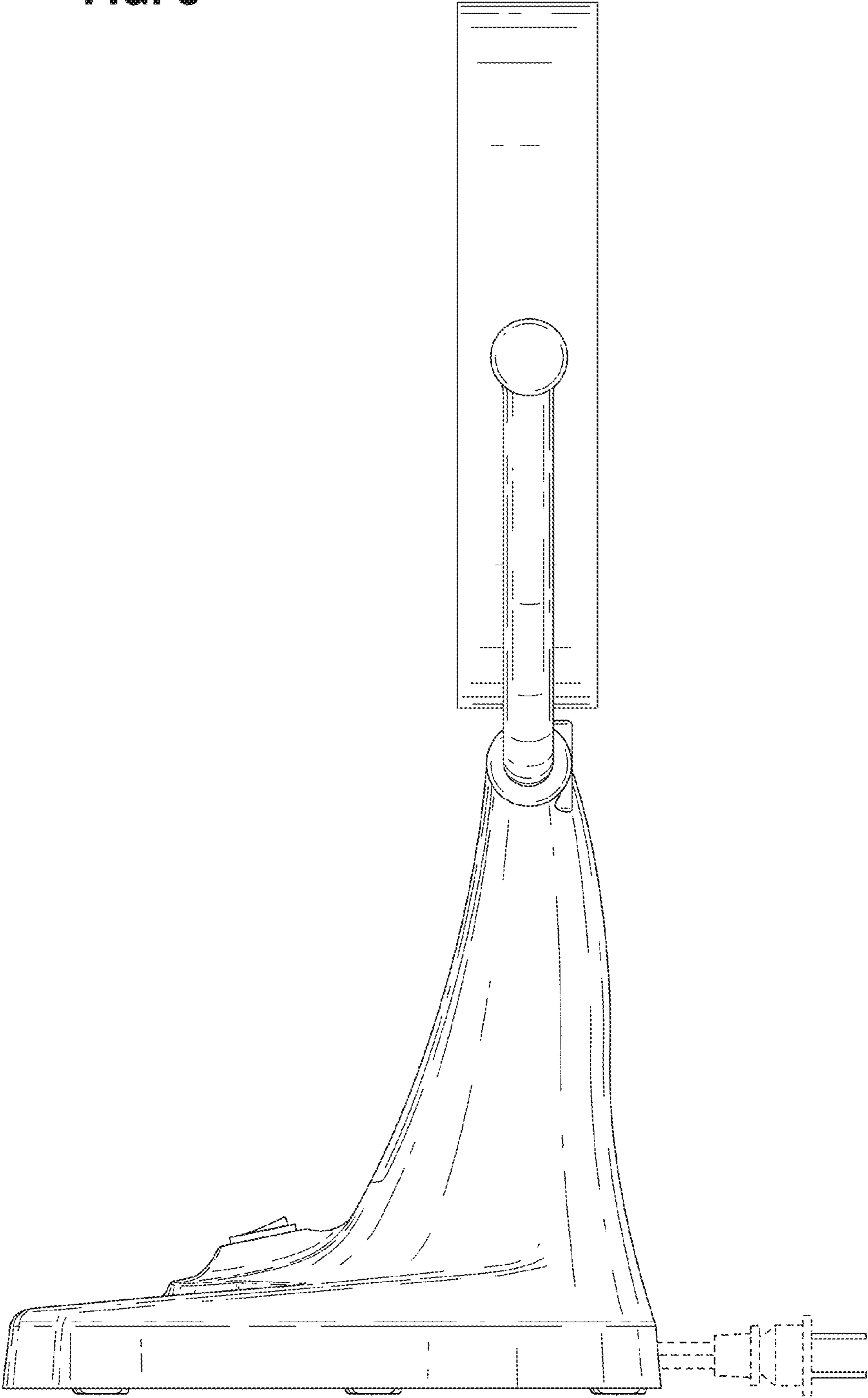


FIG. 4

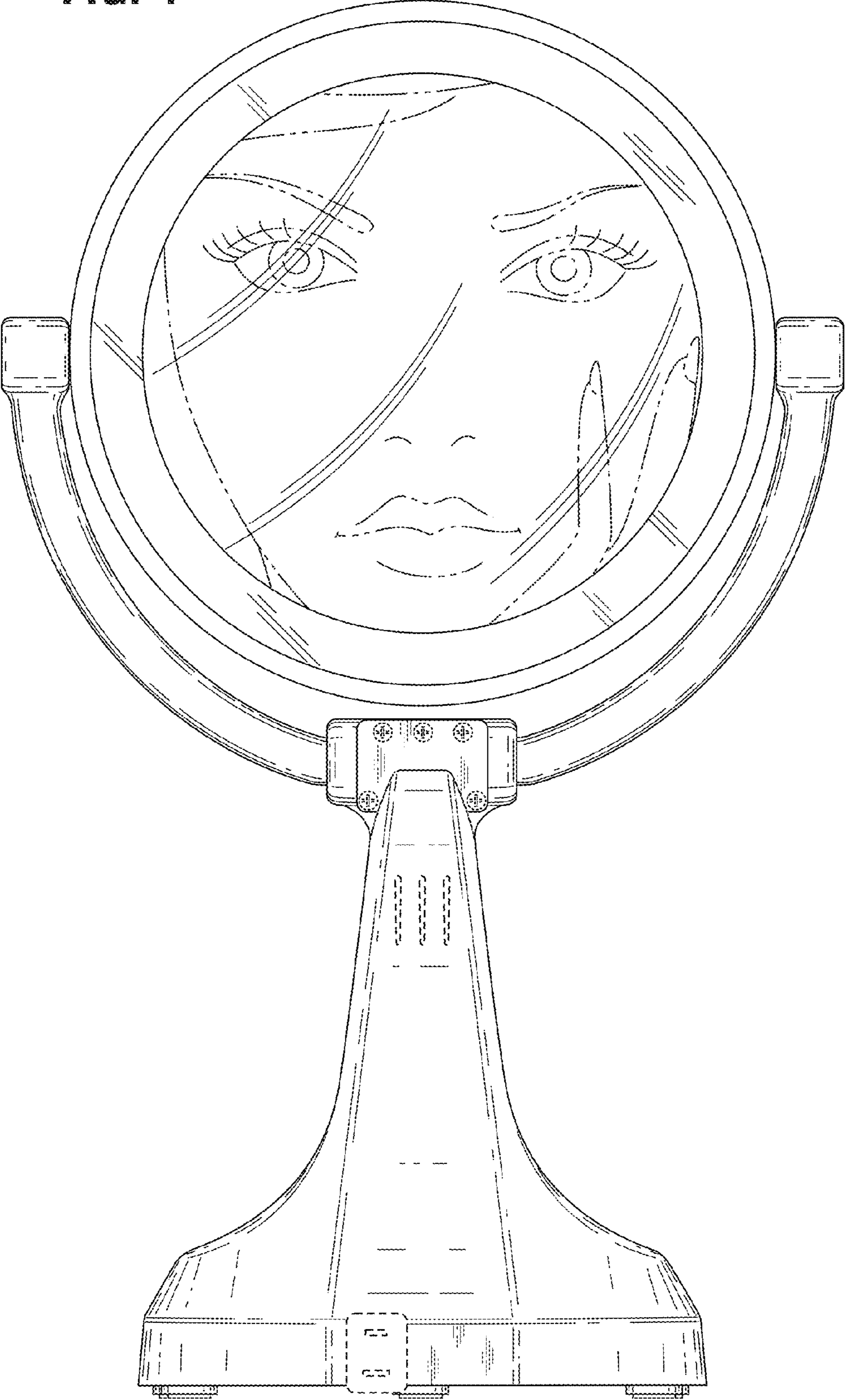


FIG. 5

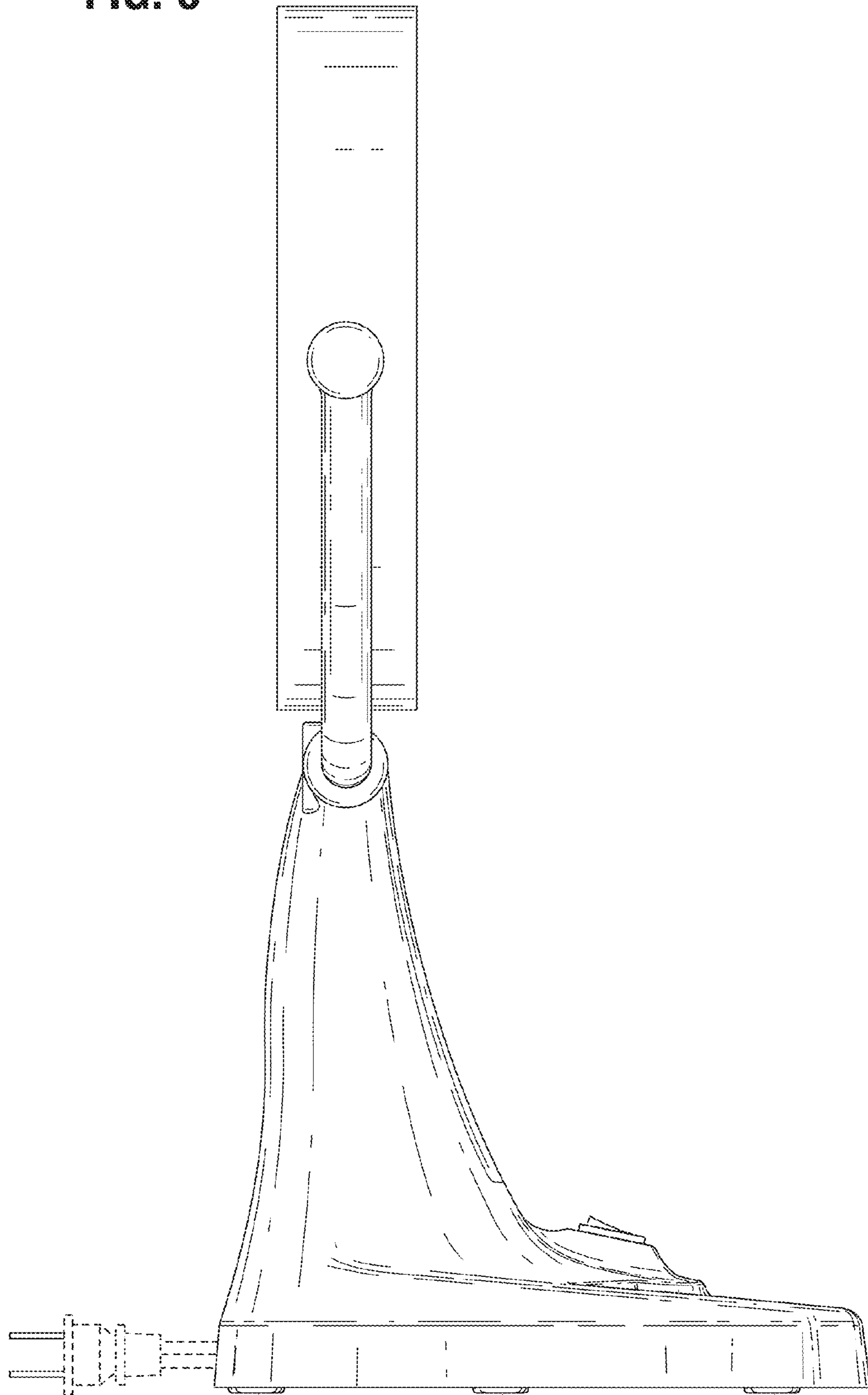


FIG. 6

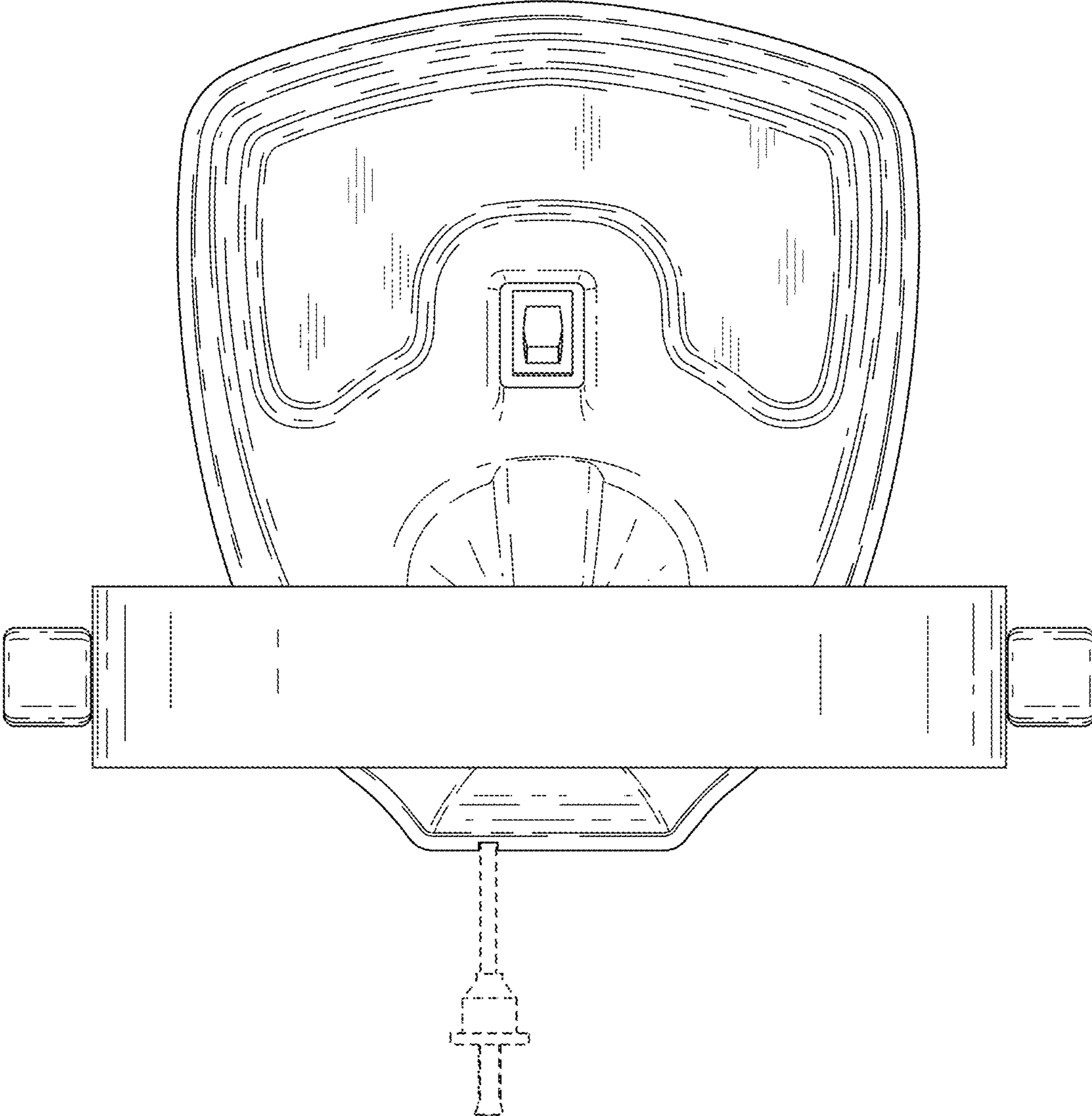




FIG. 7

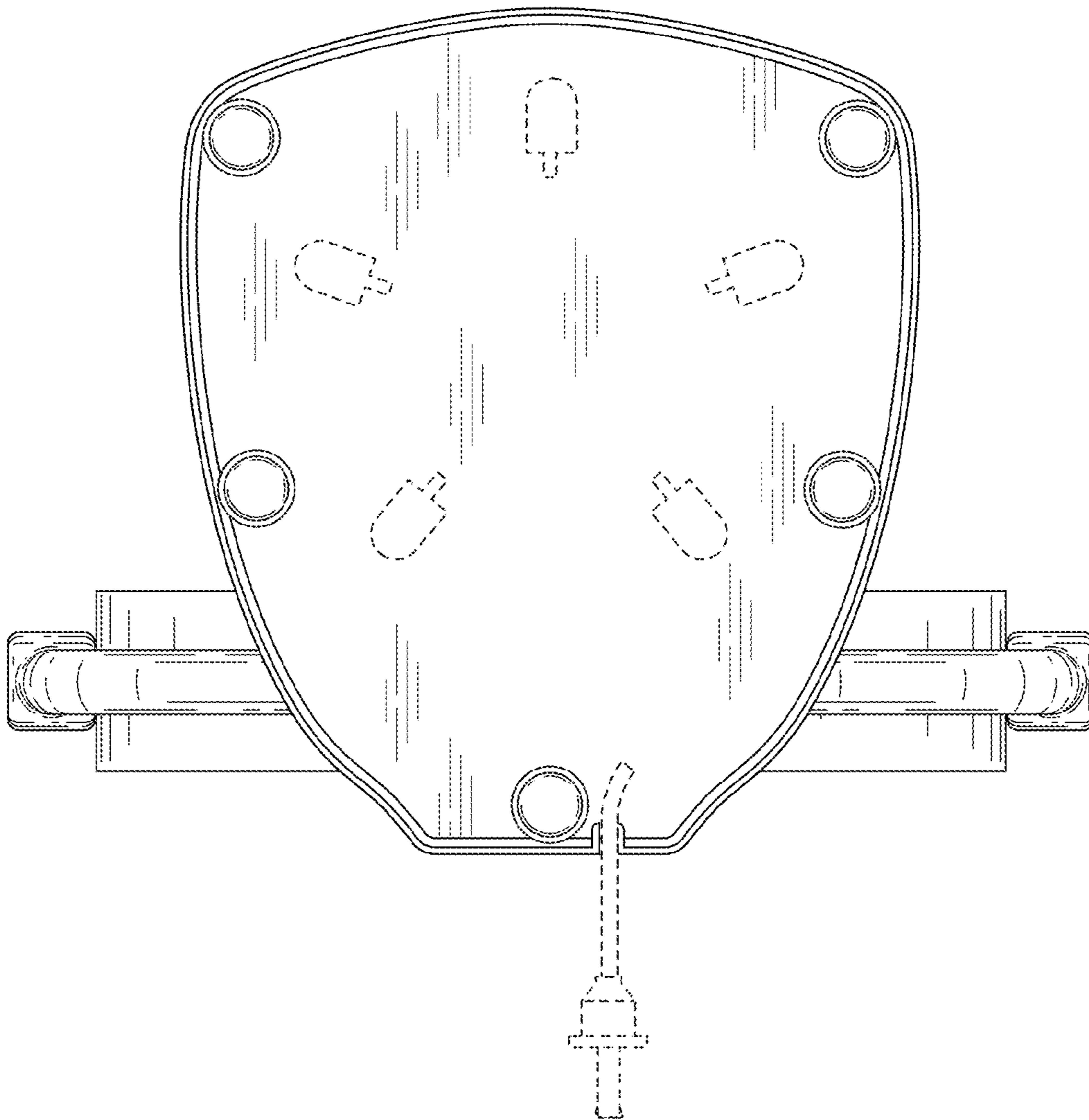


FIG. 8

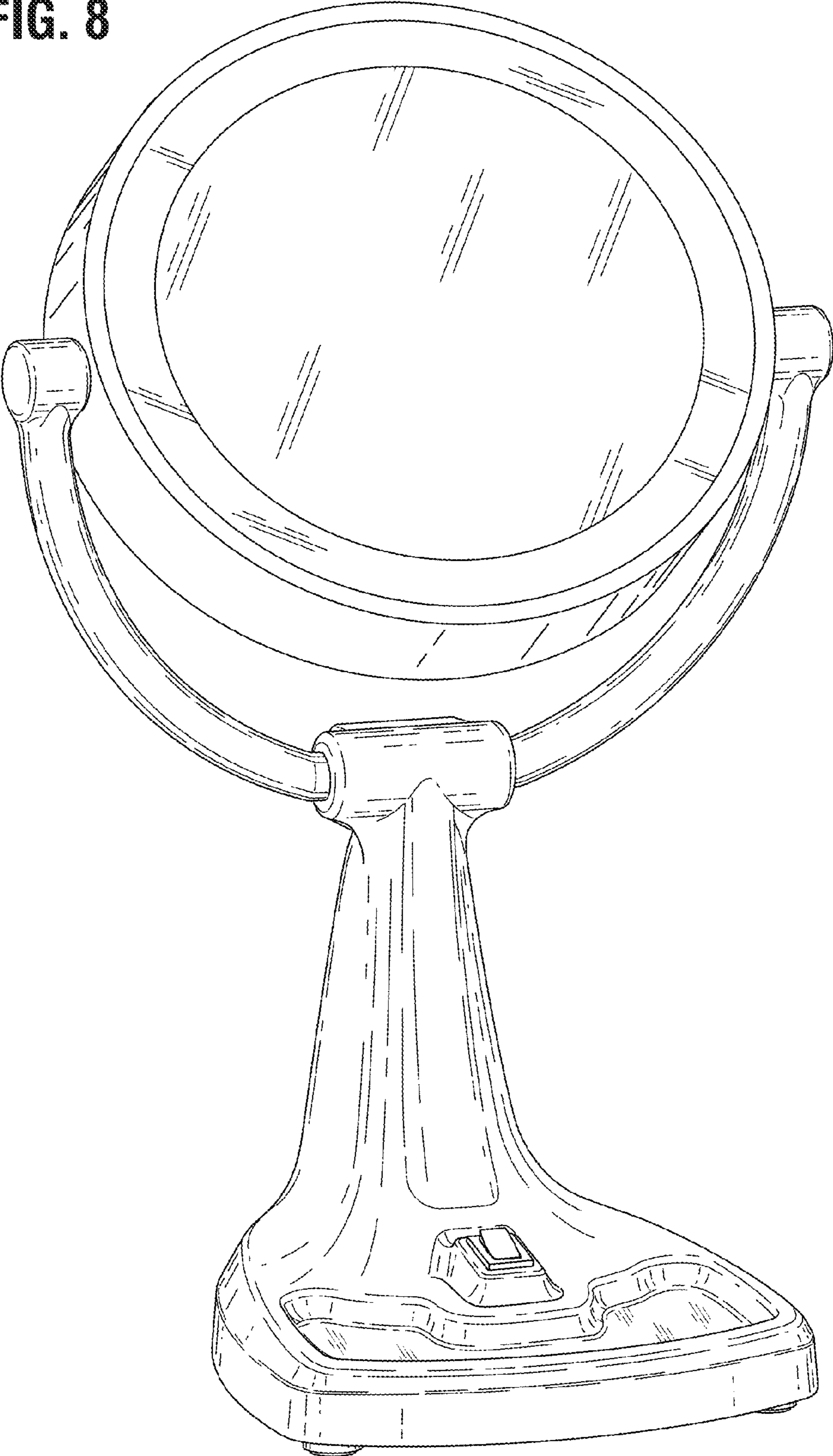


FIG. 9

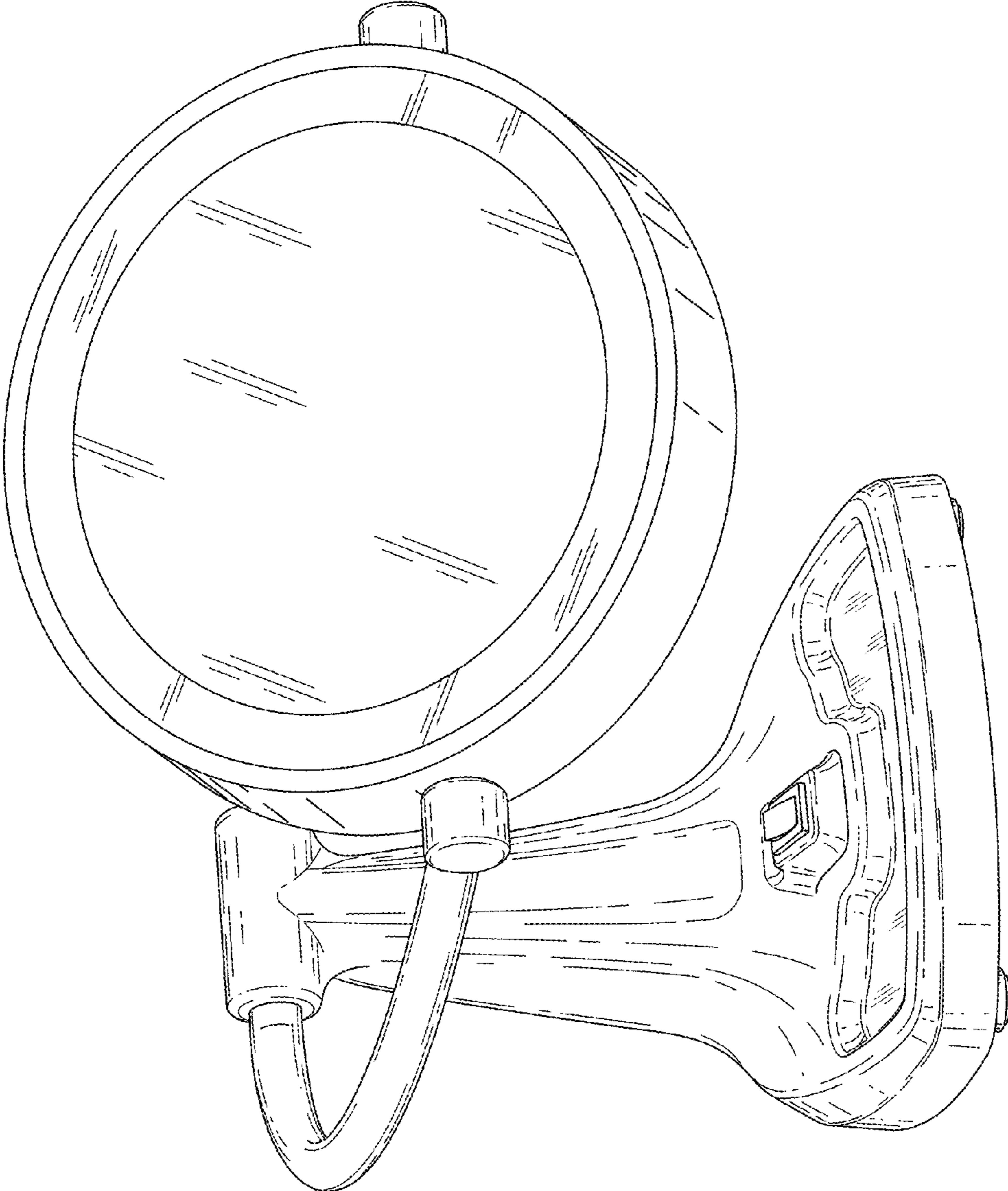
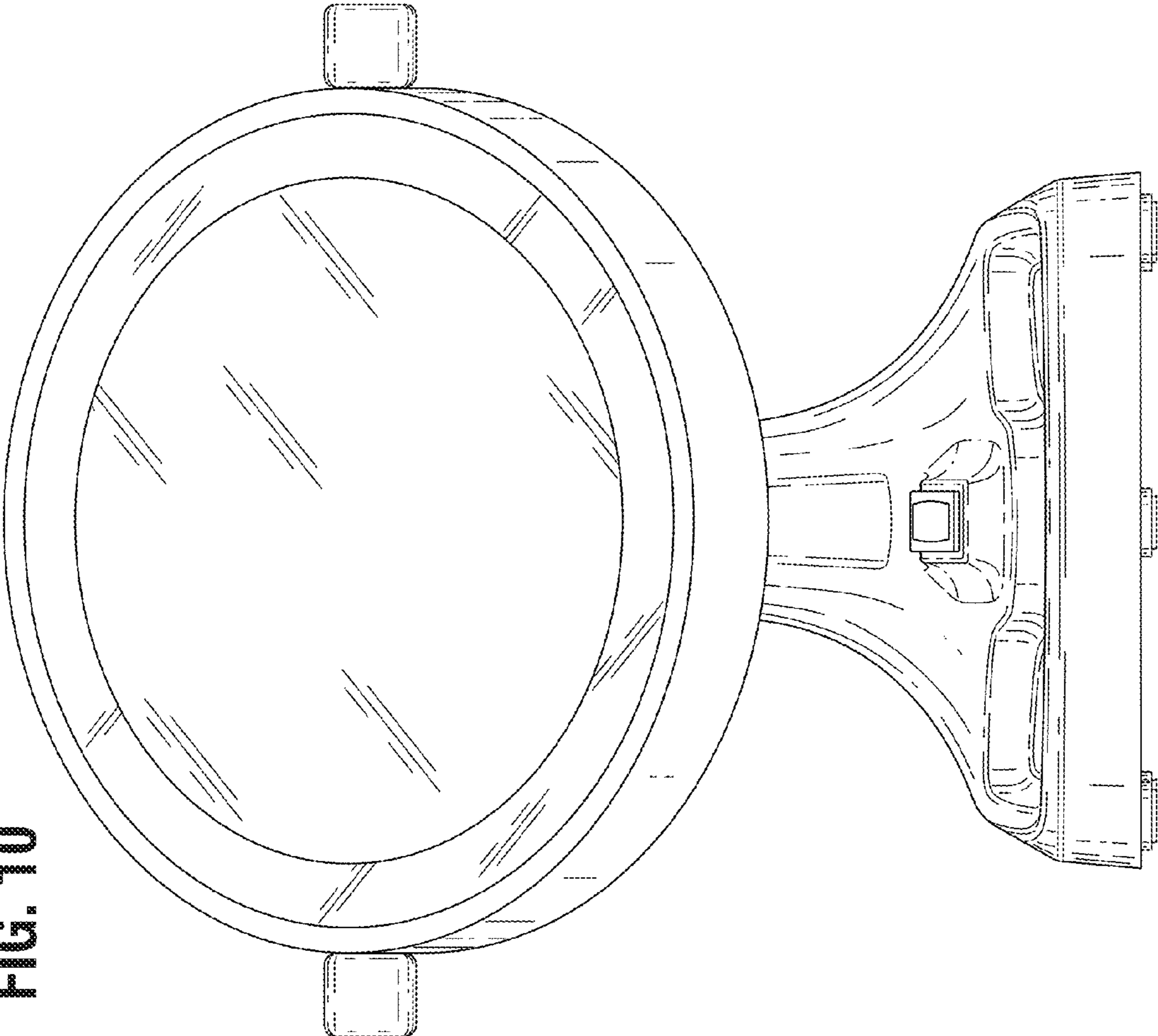


FIG. 10



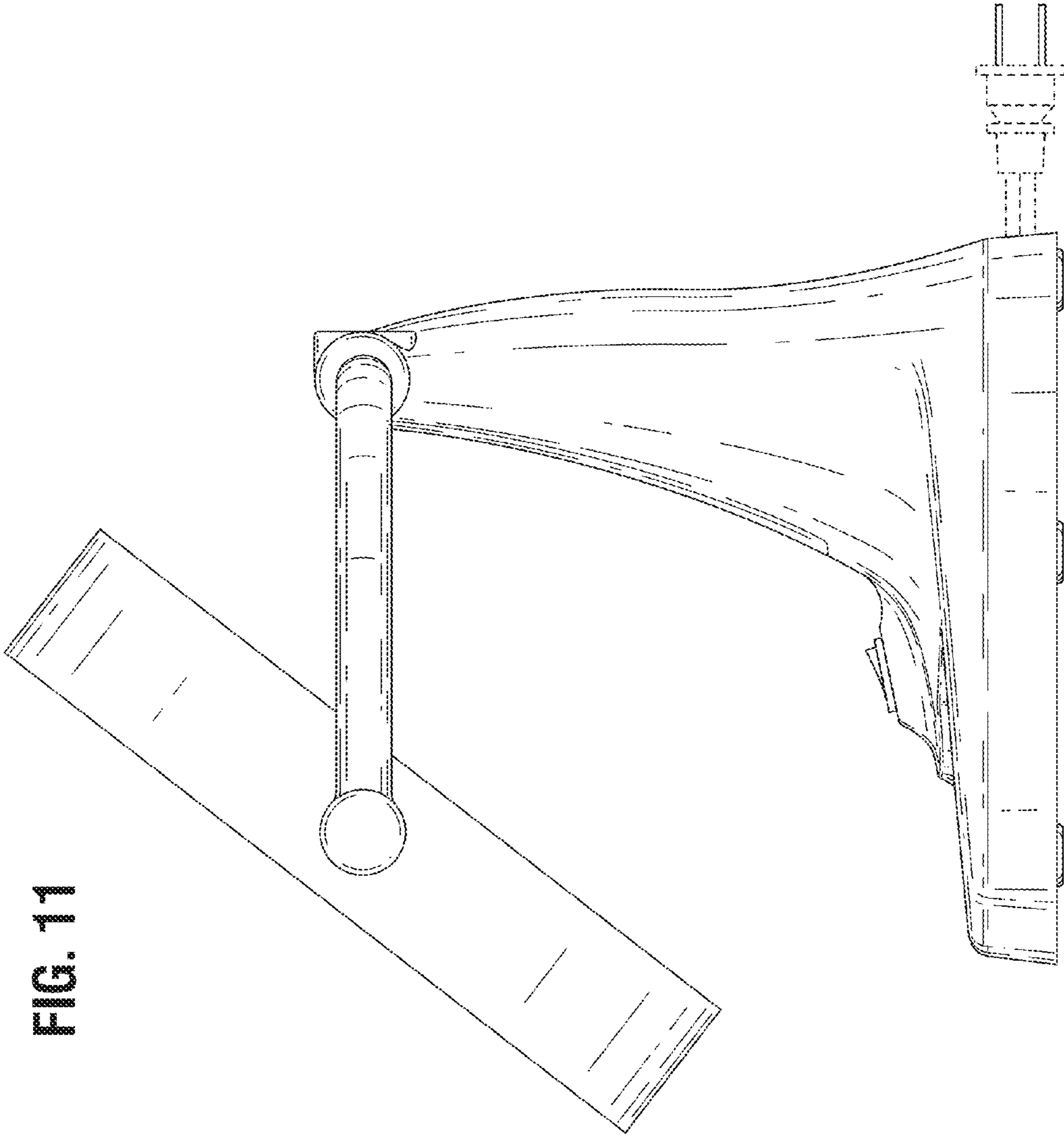


FIG. 11

FIG. 12

