

US00D727626S

(12) **United States Design Patent**  
**Bontemp et al.**

(10) **Patent No.:** **US D727,626 S**  
(45) **Date of Patent:** **\*\* Apr. 28, 2015**

(54) **COMBINATION TOOTHBRUSH AND TONGUE SCRAPER**

(71) Applicants: **Yveline Bontemp**, Providence, RI (US);  
**Bernard Goodson**, Providence, RI (US)

(72) Inventors: **Yveline Bontemp**, Providence, RI (US);  
**Bernard Goodson**, Providence, RI (US)

(\*\*) Term: **14 Years**

(21) Appl. No.: **29/501,799**

(22) Filed: **Sep. 9, 2014**

(51) **LOC (10) Cl.** ..... **04-02**

(52) **U.S. Cl.**  
USPC ..... **D4/105**

(58) **Field of Classification Search**  
CPC .... A46B 5/0004; A46B 5/0016; A46B 5/002;  
A46B 5/0031; A46B 5/0041; A46B 5/0075;  
A46B 5/0083; A46B 7/02; A46B 7/023;  
A46B 7/026; A46B 9/04; A46B 15/0081;  
A46B 2200/1066; A46B 2200/1073; A46B  
2200/1086  
USPC ..... D4/104–112, 119–121; D24/146, 147,  
D24/152, 154; 15/106, 111, 167.1, 167.2,  
15/185; 132/308, 309, 311; 606/161  
See application file for complete search history.

(56) **References Cited**

**U.S. PATENT DOCUMENTS**

1,658,706 A 2/1928 Carrott  
1,891,864 A \* 12/1932 Barrett ..... 606/161

3,769,991 A 11/1973 McGrath  
D265,270 S \* 7/1982 McCarty ..... D4/108  
4,455,704 A 6/1984 Williams  
D284,528 S \* 7/1986 Jurado ..... D4/105  
D285,389 S \* 9/1986 Ridless et al. .... D4/104  
D295,695 S \* 5/1988 Golzari ..... D4/105  
4,850,074 A 7/1989 Klevan  
5,913,346 A 6/1999 Narwani  
D423,785 S \* 5/2000 Karallis ..... D4/108  
D423,786 S \* 5/2000 Zelinski ..... D4/108  
D429,888 S 8/2000 Coopersmith et al.  
6,647,581 B1 11/2003 Persad et al.  
7,051,395 B2 5/2006 Domke  
2012/0167319 A1\* 7/2012 Quigley et al. .... 15/110

**FOREIGN PATENT DOCUMENTS**

BR MU9102193 U2 \* 10/2013 ..... A46B 9/04

\* cited by examiner

*Primary Examiner* — Melanie H Tung  
*Assistant Examiner* — Lavone D Tabor

(57) **CLAIM**

We claim the ornamental design for the combination toothbrush and tongue scraper, as shown and described.

**DESCRIPTION**

FIG. 1 is a front view of the combination toothbrush and tongue scraper.

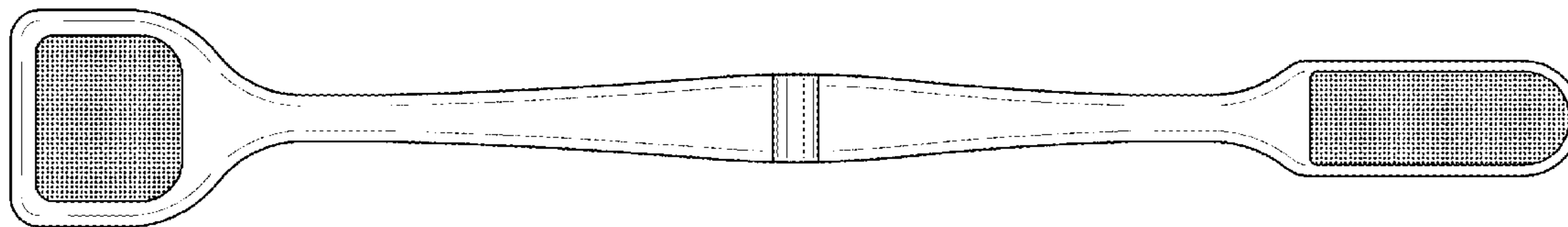
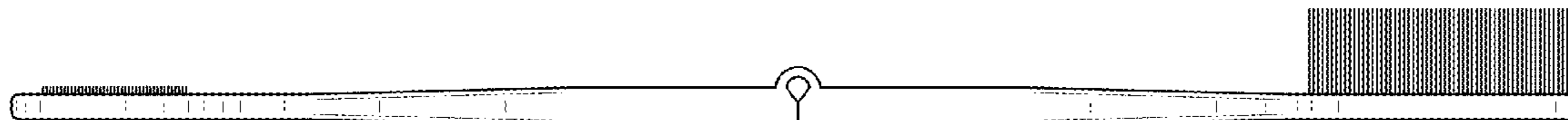
FIG. 2 is a left side view of the claimed design.

FIG. 3 is a right side view of the claimed design.

FIG. 4 is a top view of the claimed design; and,

FIG. 5 is a bottom view of the claimed design.

**1 Claim, 2 Drawing Sheets**



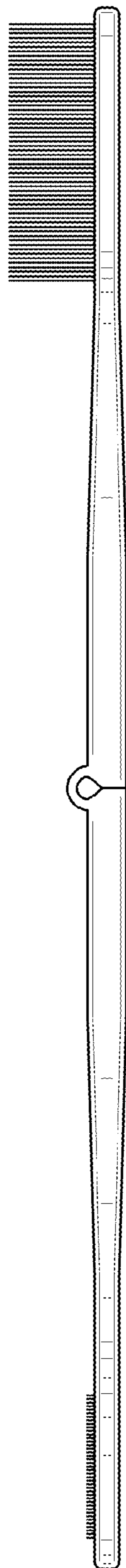


FIG. 1

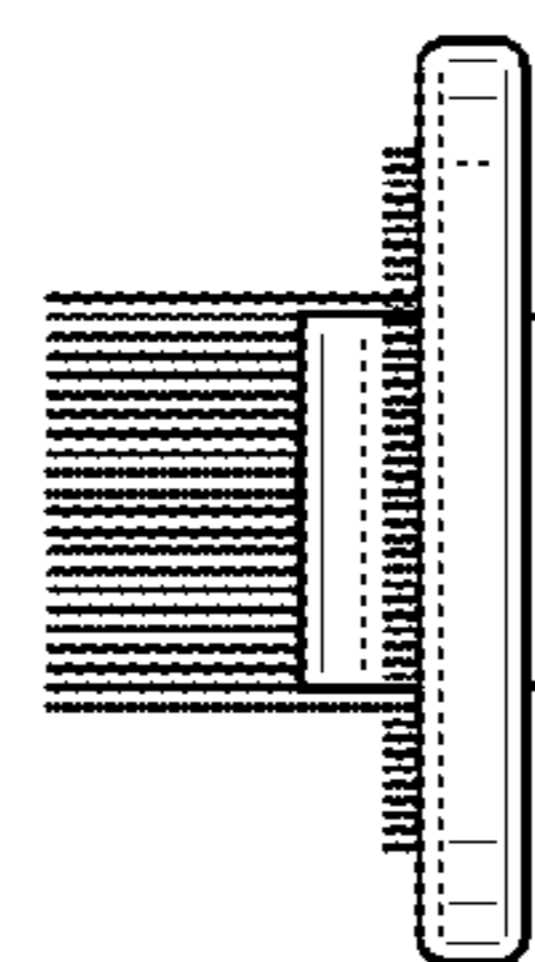


FIG. 2

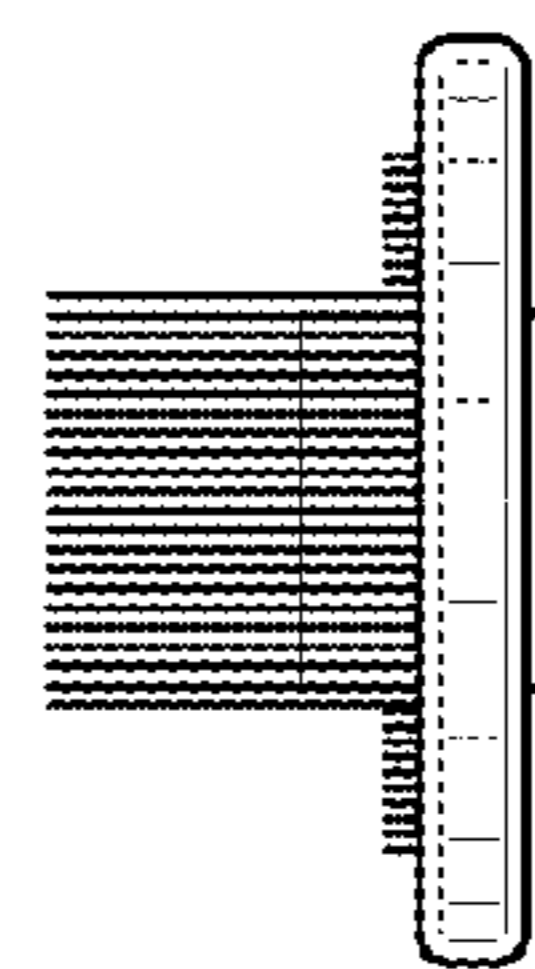


FIG. 3

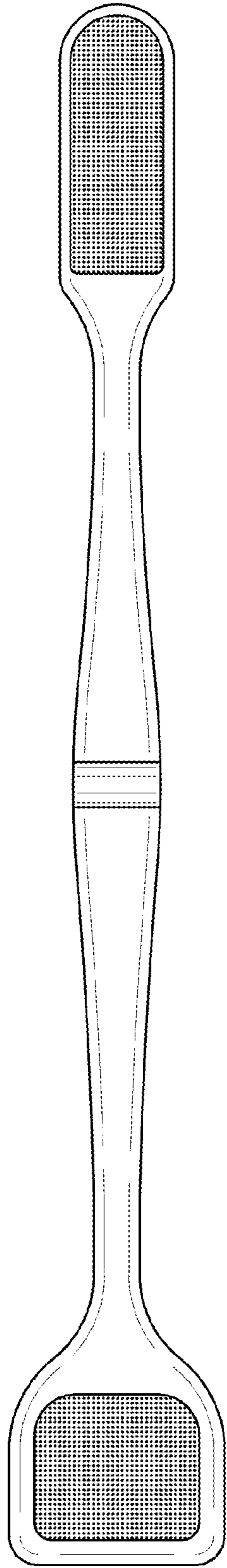


FIG. 4

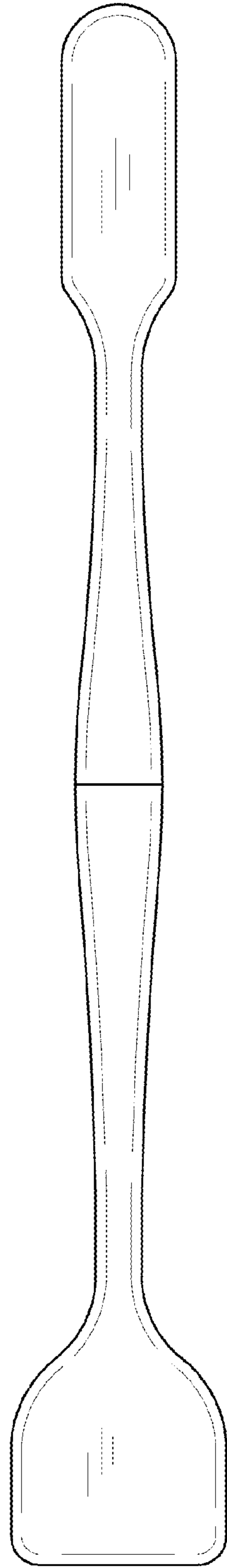


FIG. 5