



US00D727623S

(12) **United States Design Patent**
Nickell

(10) **Patent No.:** **US D727,623 S**
(45) **Date of Patent:** **** Apr. 28, 2015**

- (54) **TRAY**
- (71) Applicant: **Enovachem Manufacturing**, Torrance, CA (US)
- (72) Inventor: **Robert Prentiss Nickell**, Torrance, CA (US)
- (73) Assignee: **Asclemed USA, Inc.**, Torrance, CA (US)
- (**) Term: **14 Years**
- (21) Appl. No.: **29/478,823**
- (22) Filed: **Jan. 8, 2014**
- (51) **LOC (10) Cl.** **03-01**
- (52) **U.S. Cl.**
USPC **D3/313**
- (58) **Field of Classification Search**
CPC A47G 23/0641; A47G 23/0625
USPC D3/200–201, 203.1, 203.3, 205–206,
D3/304–315; D6/475–476, 672, 675;
D19/75, 77, 86, 90, 92, 100;
206/503–504, 512, 564, 822; 229/100,
229/406, 913–914

See application file for complete search history.

D419,772 S *	2/2000	Williams	D3/313
D446,063 S *	8/2001	Quinn	D6/510
D455,921 S *	4/2002	Quinn	D6/510
D472,711 S *	4/2003	Chen	D3/313
D512,836 S *	12/2005	Marnell, II	D3/313
7,044,739 B2 *	5/2006	Matson	434/127
D555,938 S *	11/2007	Brisco	D6/476
D568,687 S *	5/2008	Lovett	D7/553.3
D571,161 S *	6/2008	Snider	D7/637
D595,959 S *	7/2009	Wade et al.	D3/319
D636,412 S *	4/2011	Misse	D15/90
D660,085 S *	5/2012	Boone	D7/553.2
D660,086 S *	5/2012	Buchman	D7/553.2
D672,395 S *	12/2012	Chuang	D19/77
D689,939 S *	9/2013	Hu	D19/77
D691,900 S *	10/2013	Kraus	D9/721
D697,744 S *	1/2014	Lipper McCauley	D6/706
D707,501 S *	6/2014	Breuss et al.	D7/641
D712,153 S *	9/2014	Lee	D3/319
2009/0162506 A1 *	6/2009	Weir	426/396

* cited by examiner

Primary Examiner — Kelley Donnelly
(74) *Attorney, Agent, or Firm* — Payam Moradian

(57) **CLAIM**
The ornamental design for a tray, as shown and described.

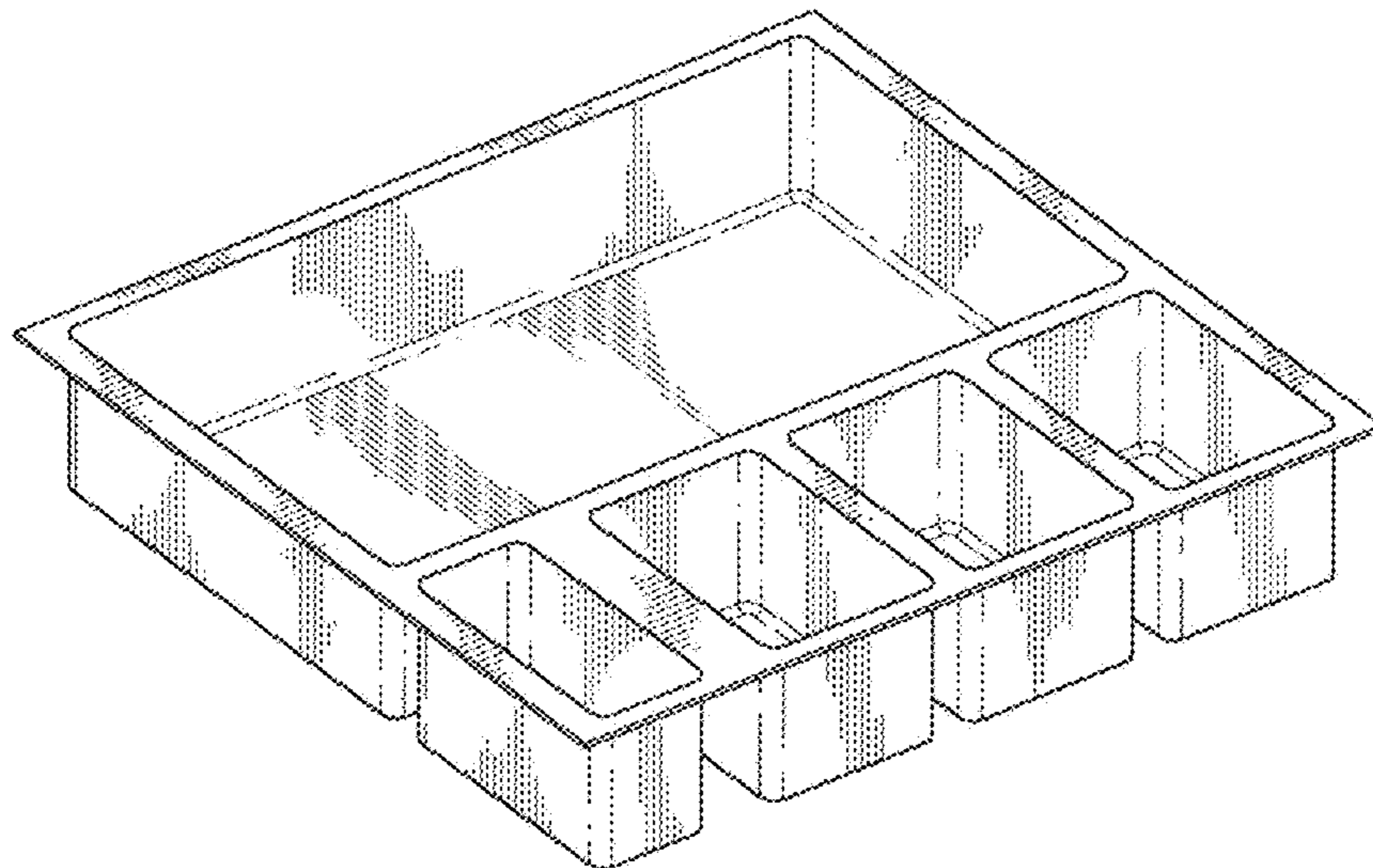
DESCRIPTION

FIG. 1 is a top perspective view of a tray;
FIG. 2 is a top view thereof;
FIG. 3 is a bottom view thereof;
FIG. 4 is a front view thereof;
FIG. 5 is a rear view thereof;
FIG. 6 is a right side view thereof; and,
FIG. 7 is a left side view thereof.

1 Claim, 3 Drawing Sheets

- (56) **References Cited**
U.S. PATENT DOCUMENTS

D242,654 S * 12/1976 Rawls D24/229
D301,590 S * 6/1989 Foran et al. D19/77
D308,699 S * 6/1990 Ancona et al. D19/75
D321,074 S * 10/1991 Eby D3/313
5,738,425 A * 4/1998 Rosenberg et al. 312/348.3
D397,274 S * 8/1998 Hise D7/637



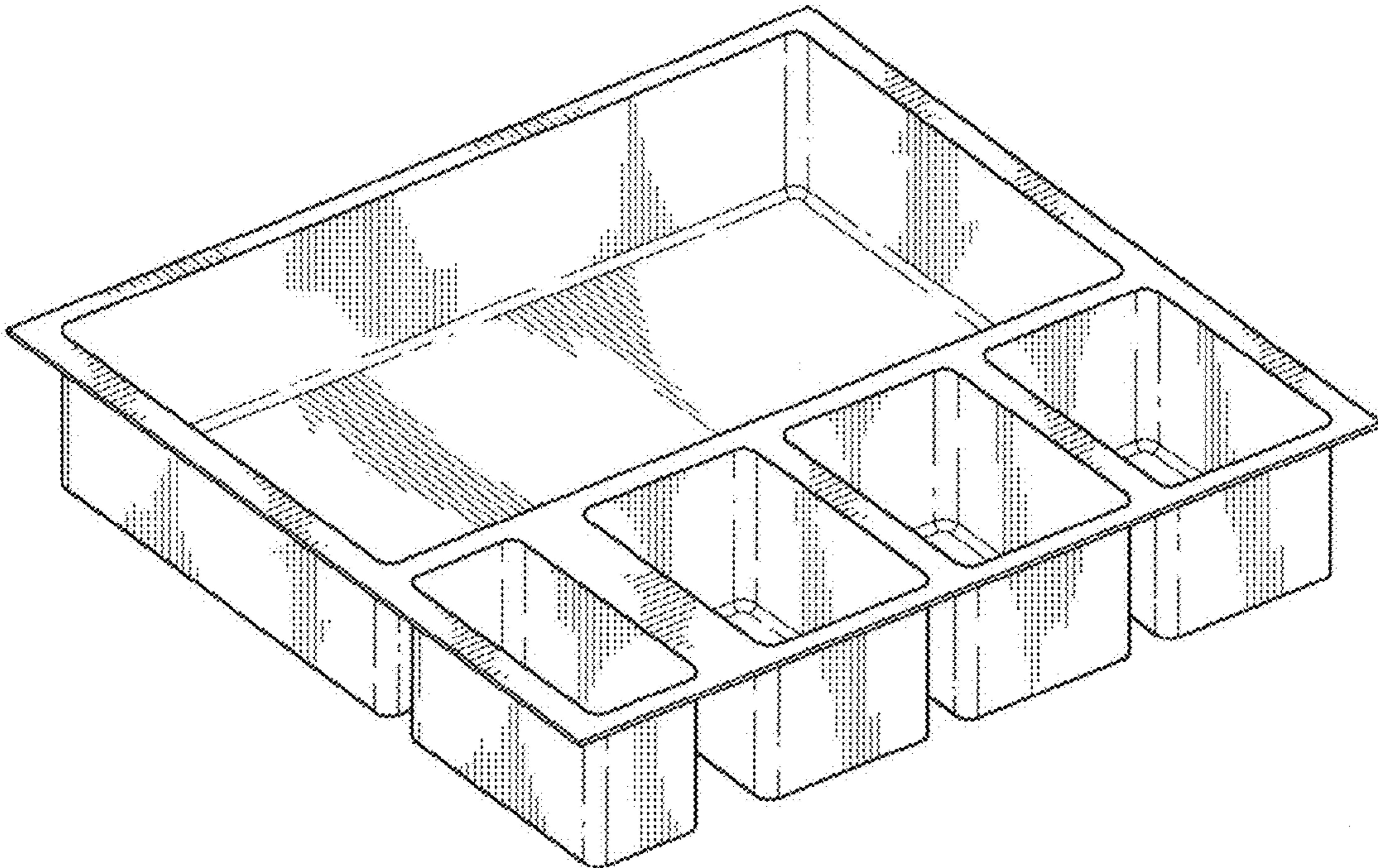


FIG. 1

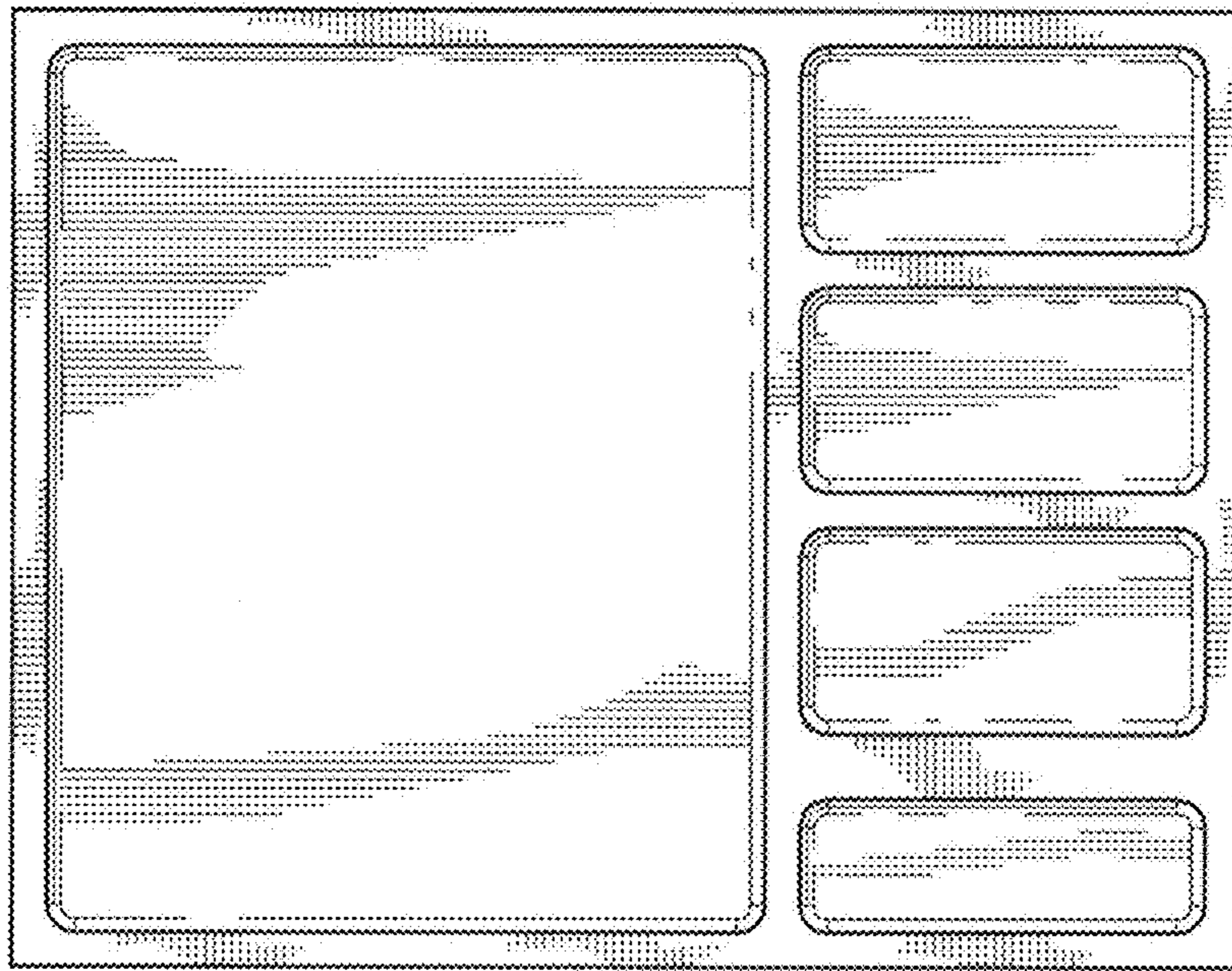


FIG. 2

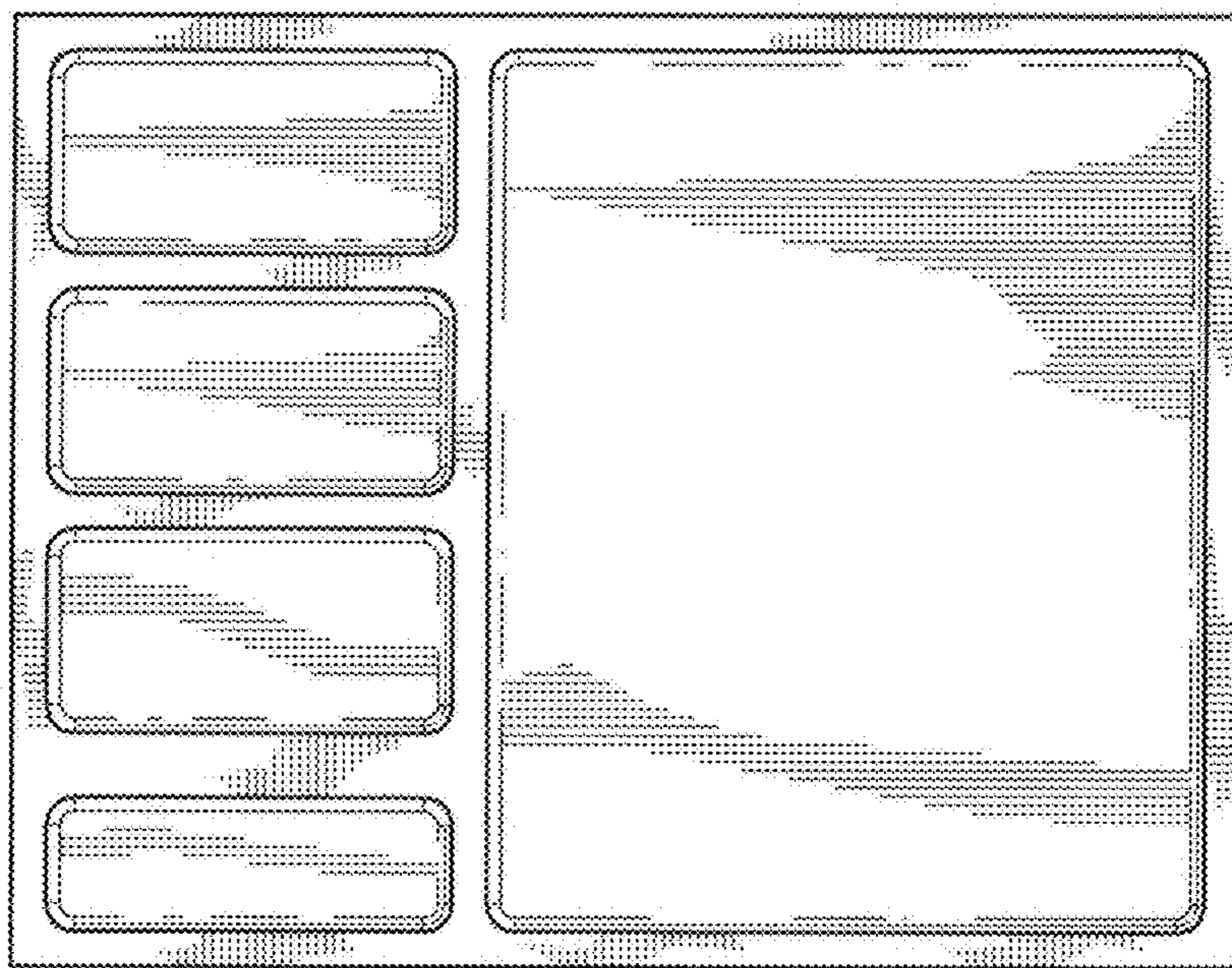


FIG. 3



FIG. 4

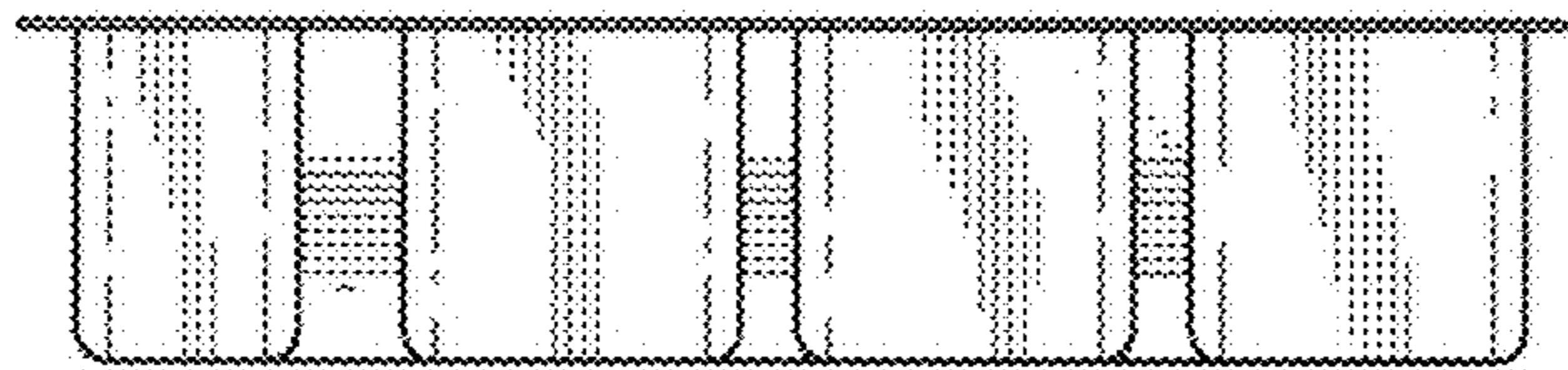


FIG. 5

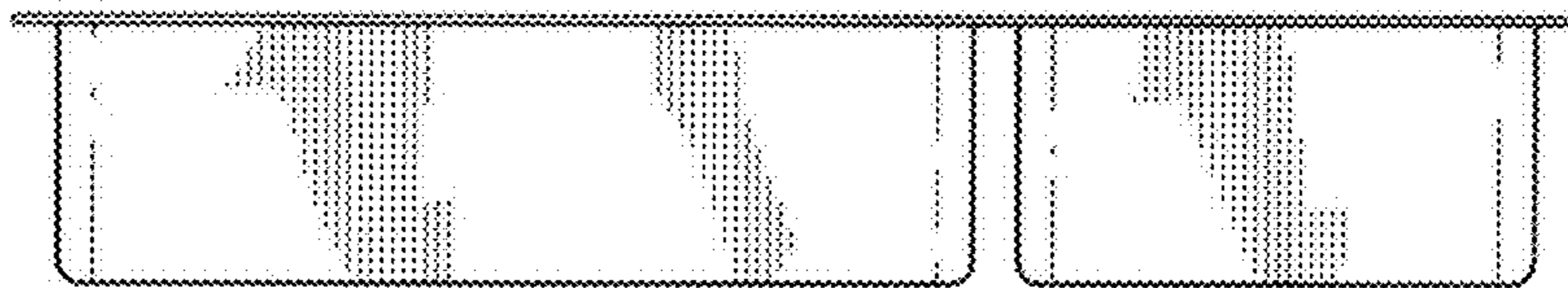


FIG. 6

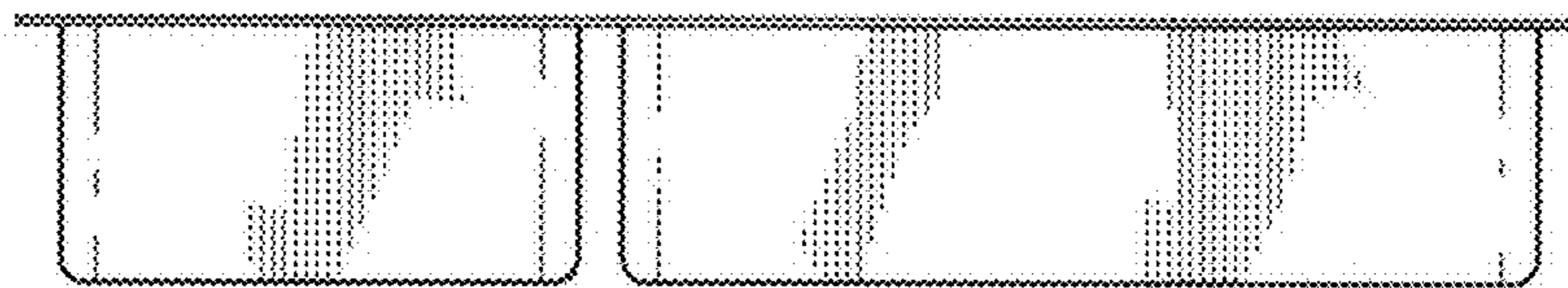


FIG. 7