



US00D727622S

(12) **United States Design Patent**
Hile

(10) **Patent No.:** **US D727,622 S**

(45) **Date of Patent:** **** Apr. 28, 2015**

- (54) **TOOL CADDY**
- (71) Applicant: **Jeffrey B. Hile**, Wexford, PA (US)
- (72) Inventor: **Jeffrey B. Hile**, Wexford, PA (US)
- (**) Term: **14 Years**
- (21) Appl. No.: **29/466,720**
- (22) Filed: **Sep. 11, 2013**
- (51) **LOC (10) Cl.** **03-01**
- (52) **U.S. Cl.**
USPC **D3/294; D3/905**
- (58) **Field of Classification Search**
CPC . B25H 3/02–3/028; B25H 3/00; B25H 3/003;
B25H 3/006
USPC D3/276, 279, 281, 282, 283, 284, 291,
D3/294, 295, 297, 298, 901, 905, 288, 273,
D3/302; 206/372–379, 1.7; 220/523–528,
220/4.21
See application file for complete search history.

6,260,700	B1 *	7/2001	Huang	206/373
7,401,698	B2 *	7/2008	Dost et al.	206/349
D602,251	S *	10/2009	Furrer et al.	D3/276
D606,308	S *	12/2009	Cheng-Wei	D3/294
D624,317	S *	9/2010	Wenche et al.	D3/294
D638,217	S *	5/2011	von Gottberg et al.	D3/281
D702,438	S *	4/2014	Chen	D3/294
2004/0084342	A1 *	5/2004	Chang	206/378
2005/0133394	A1 *	6/2005	Liu	206/349
2009/0314674	A1 *	12/2009	Sauerheber	206/373

* cited by examiner

Primary Examiner — Jennifer Rivard

Assistant Examiner — April Rivas

(74) *Attorney, Agent, or Firm* — Carothers and Carothers

(57) **CLAIM**

The ornamental design for a tool caddy, as shown and described.

DESCRIPTION

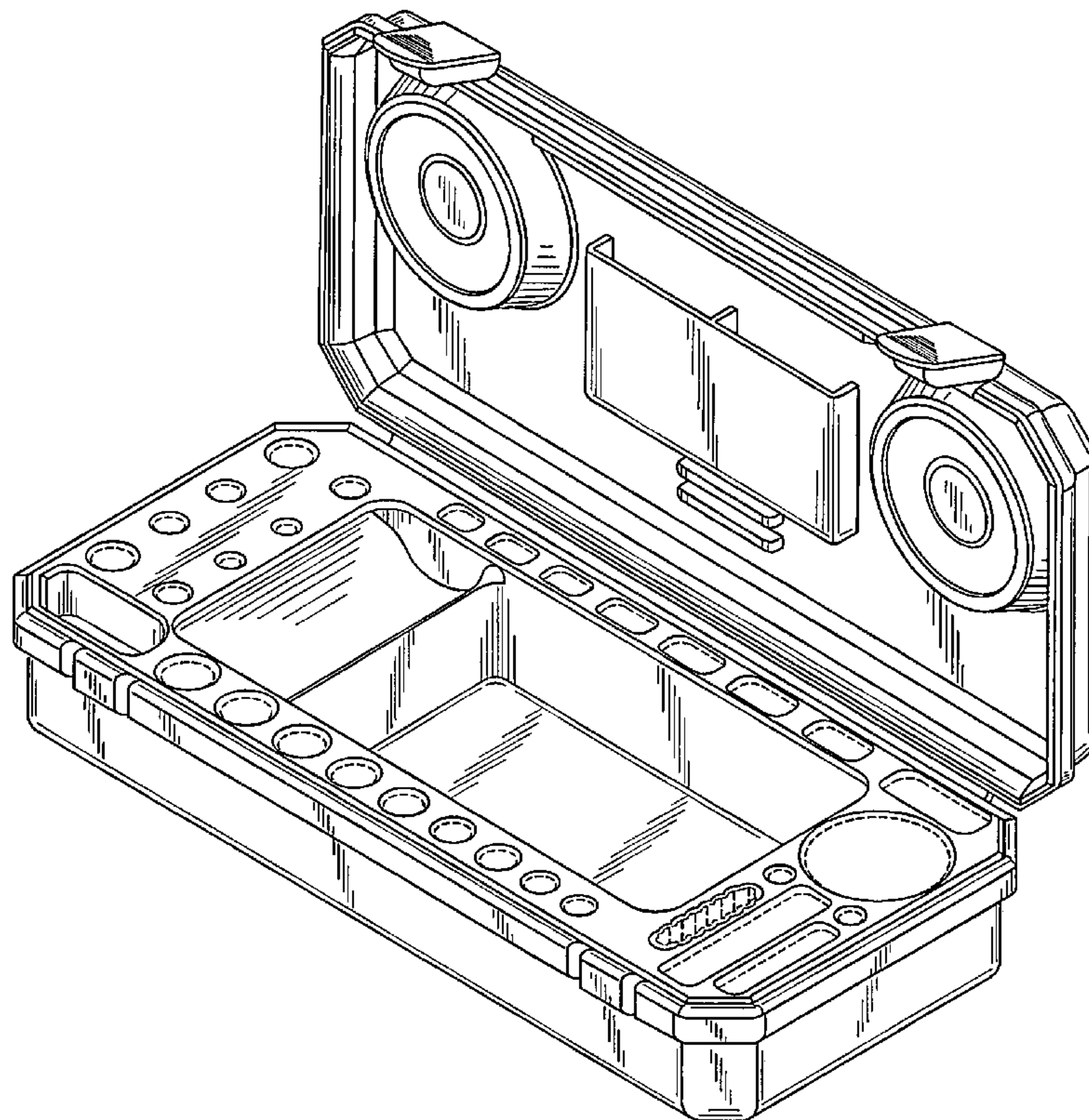
FIG. 1 is a right side perspective view of the tool caddy of the present invention showing my new design;
 FIG. 2 is a front elevational view thereof;
 FIG. 3 is a rear elevational view thereof;
 FIG. 4 is a top plan view thereof;
 FIG. 5 is a bottom plan view thereof;
 FIG. 6 is a left side elevational view thereof; and,
 FIG. 7 is a right side elevational view thereof.
 The broken lines represent the bounds of the tool caddy and form no part of the claimed design.

1 Claim, 6 Drawing Sheets

(56) **References Cited**

U.S. PATENT DOCUMENTS

D331,836	S *	12/1992	Newby, Sr.	D12/423
D380,611	S *	7/1997	Mancusi	D3/284
D404,202	S *	1/1999	Neyton	D3/295
D407,557	S *	4/1999	Jones	D3/294
6,062,385	A *	5/2000	Cho	206/373
6,237,767	B1 *	5/2001	Lee	206/373



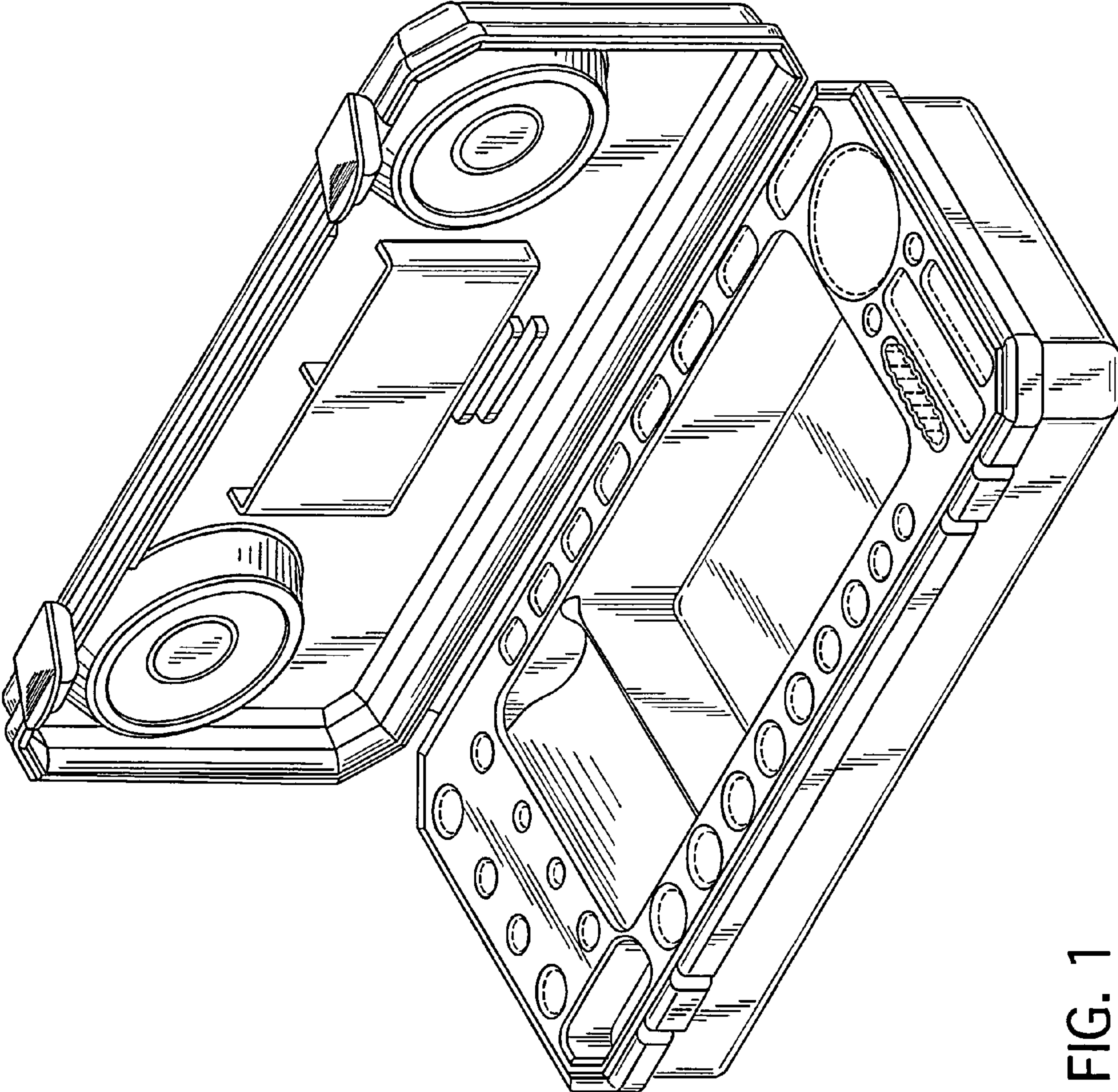


FIG. 1

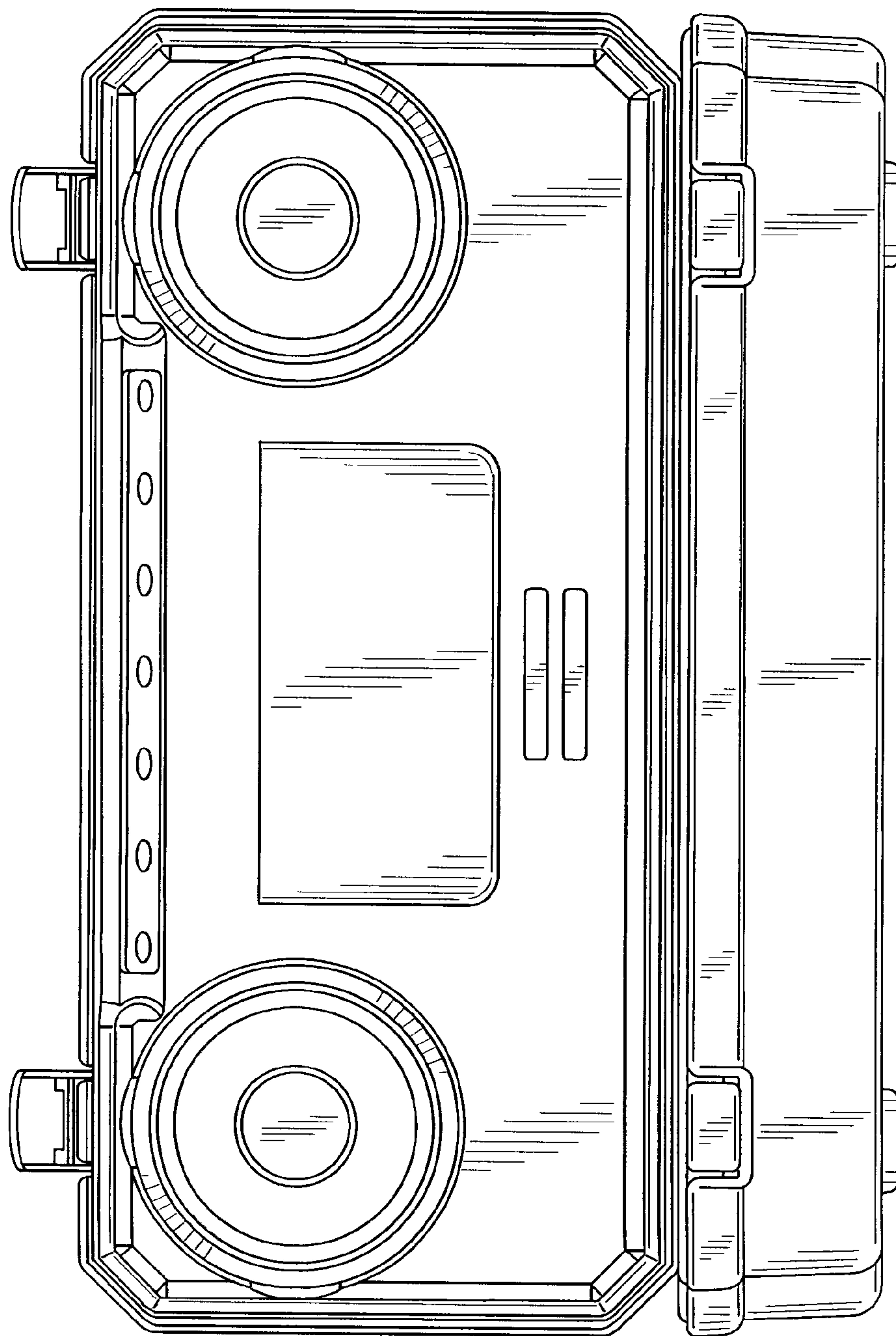


FIG. 2

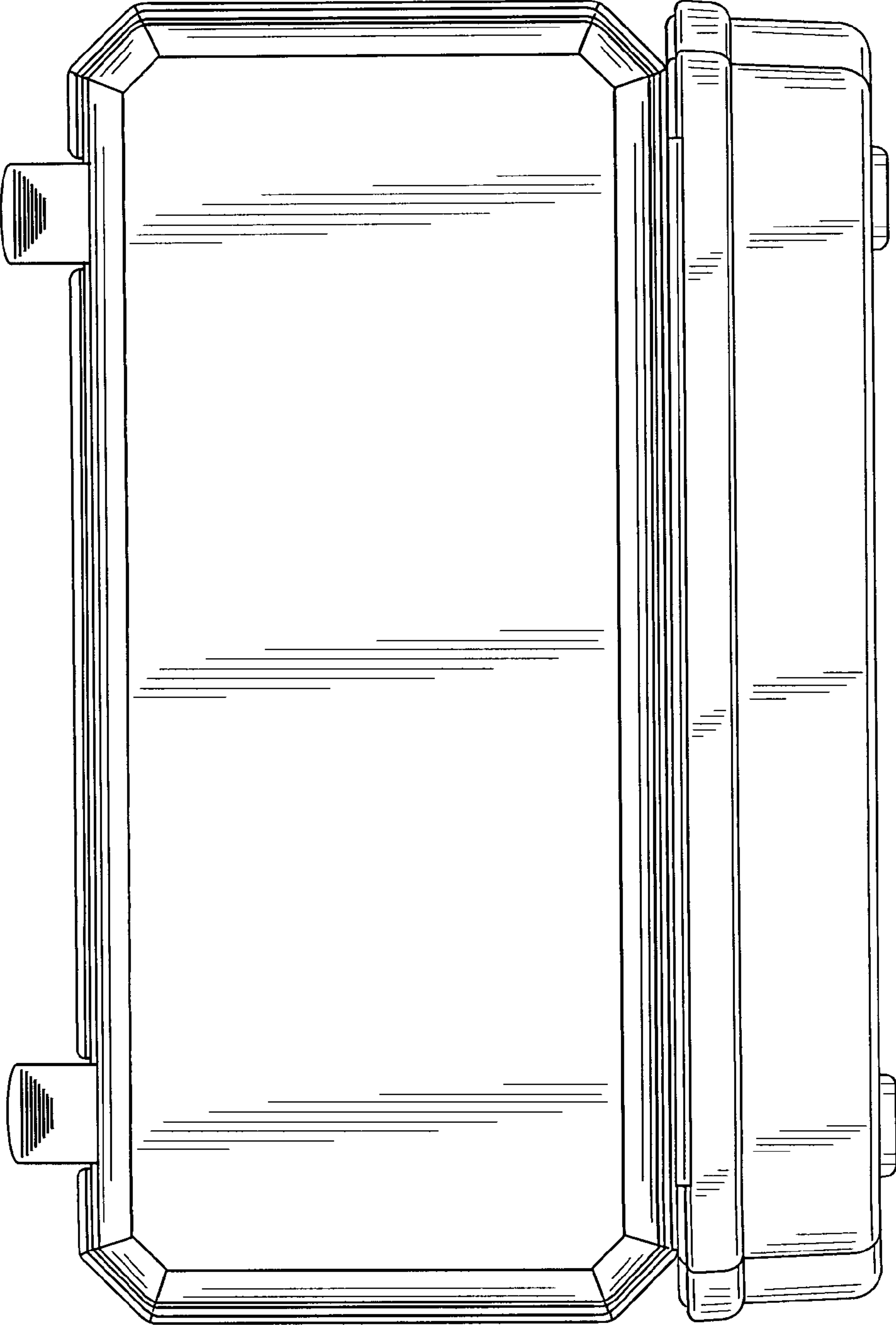


FIG. 3

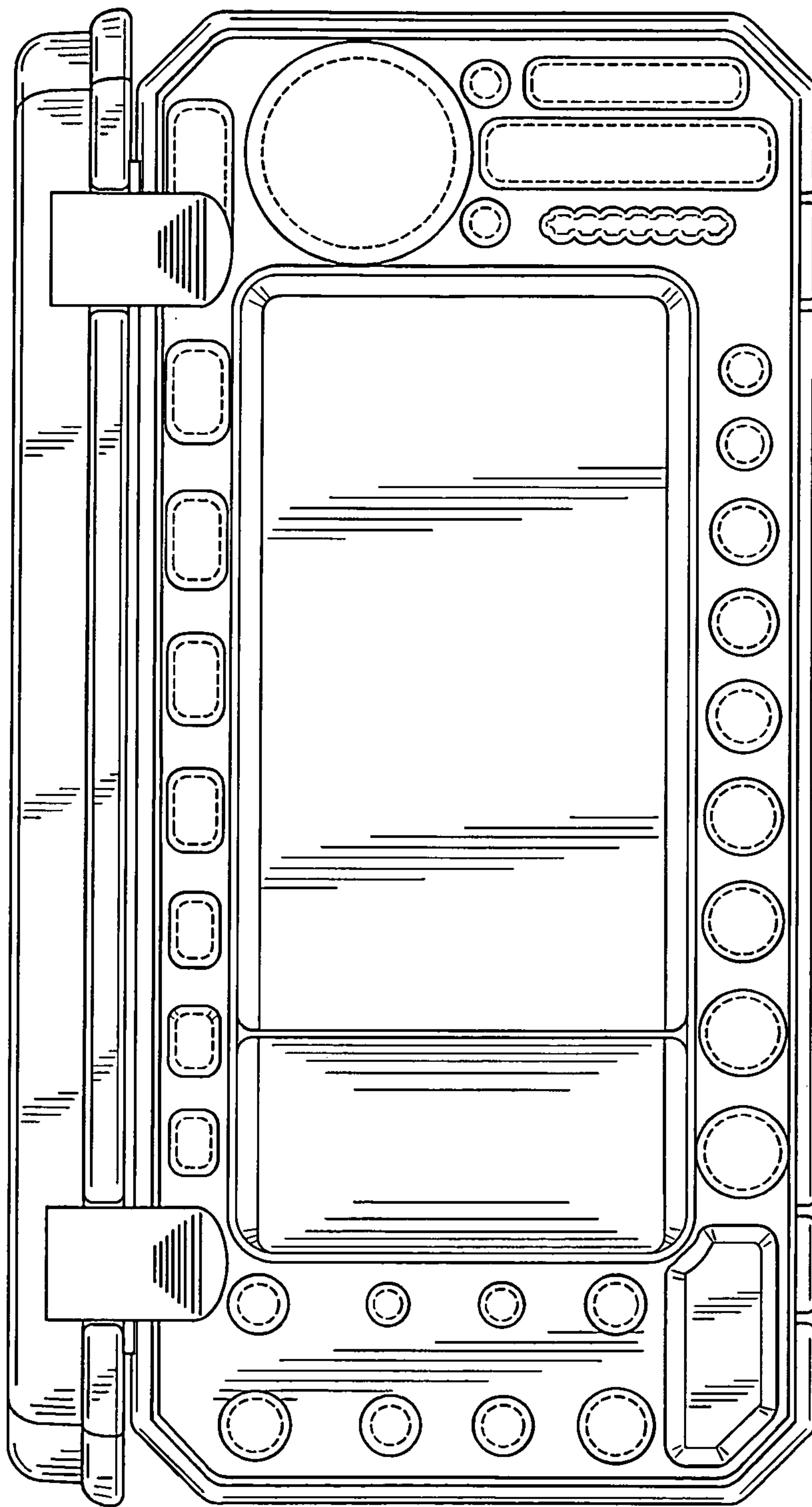


FIG. 4

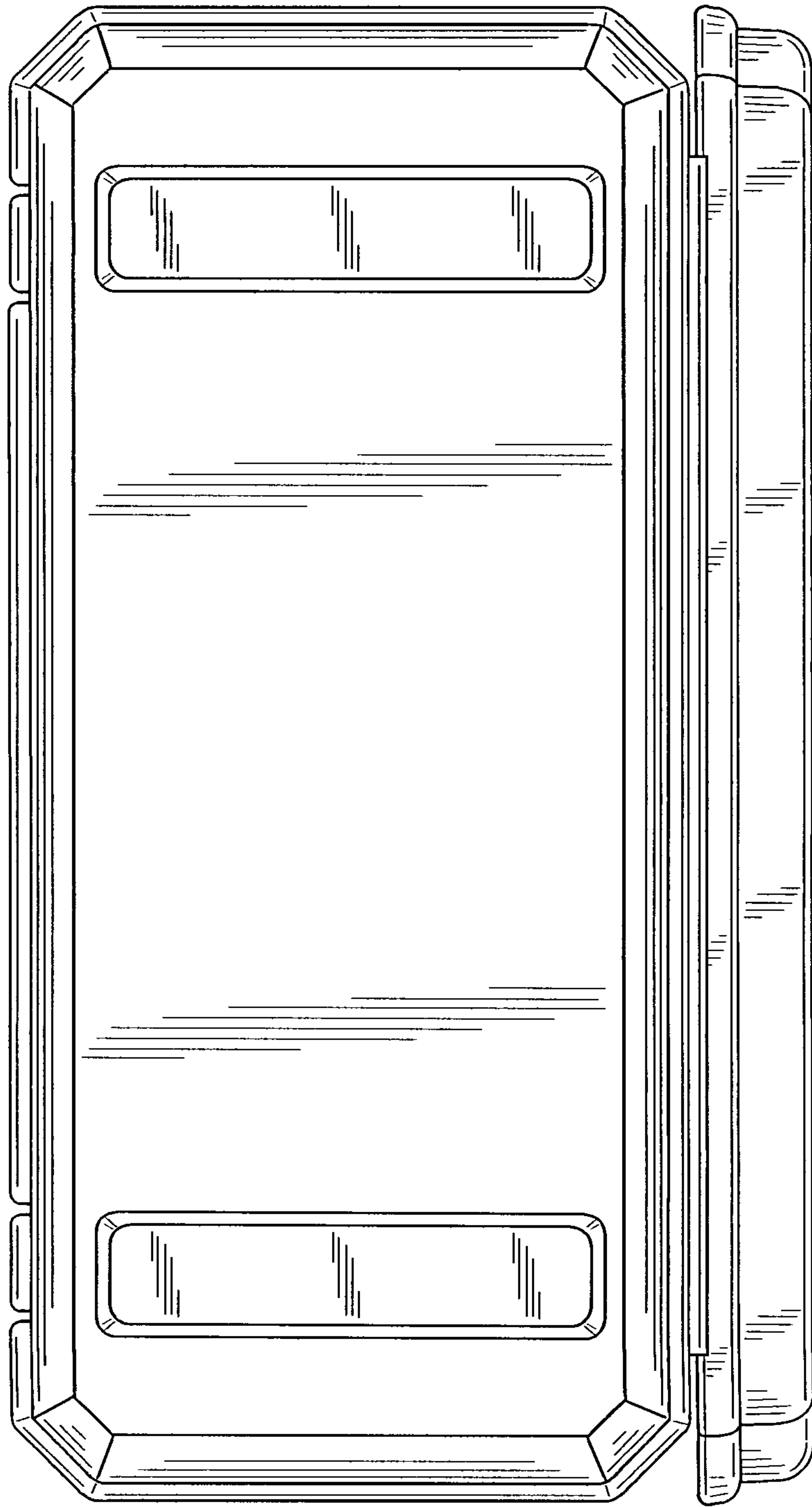


FIG. 5

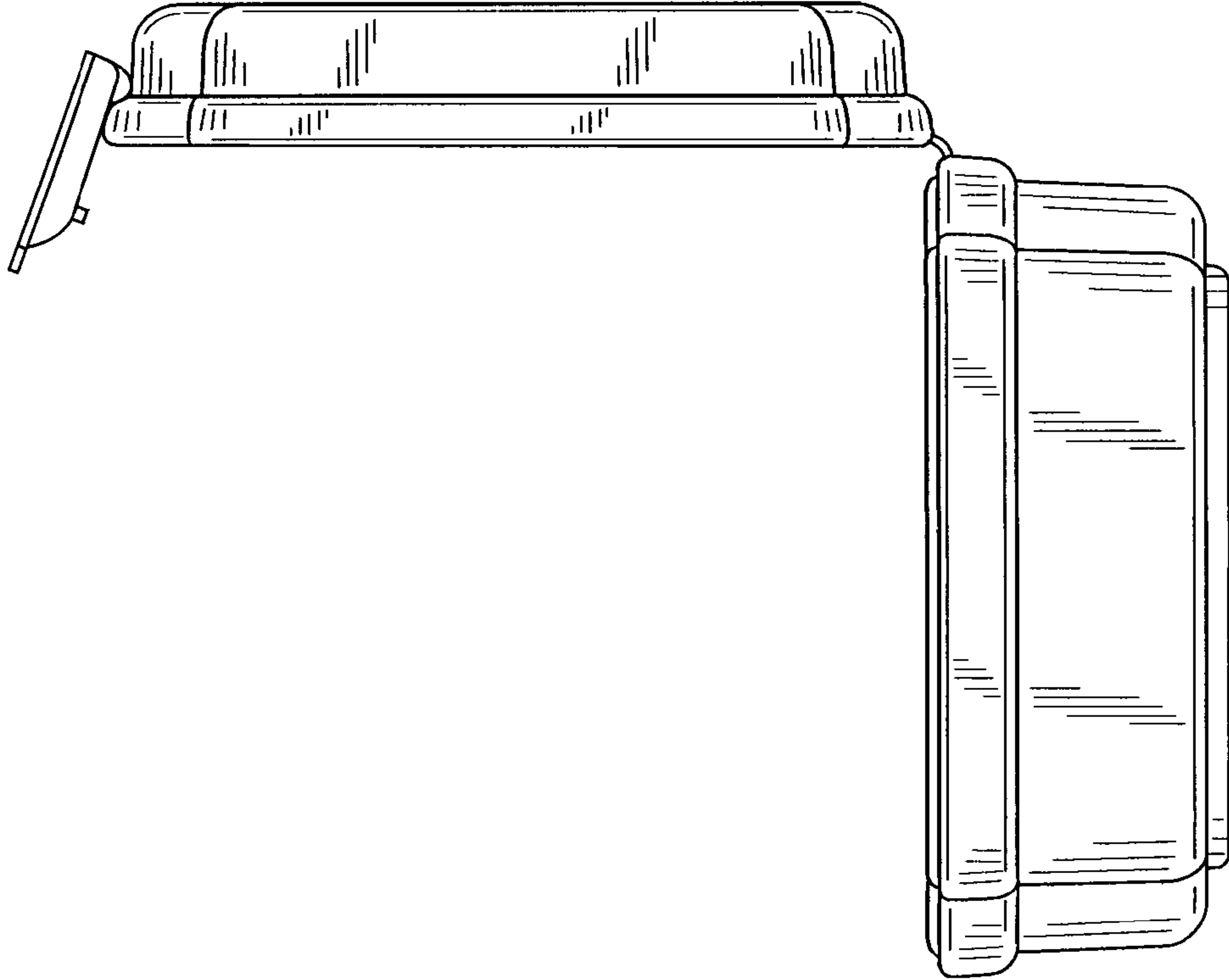


FIG. 7

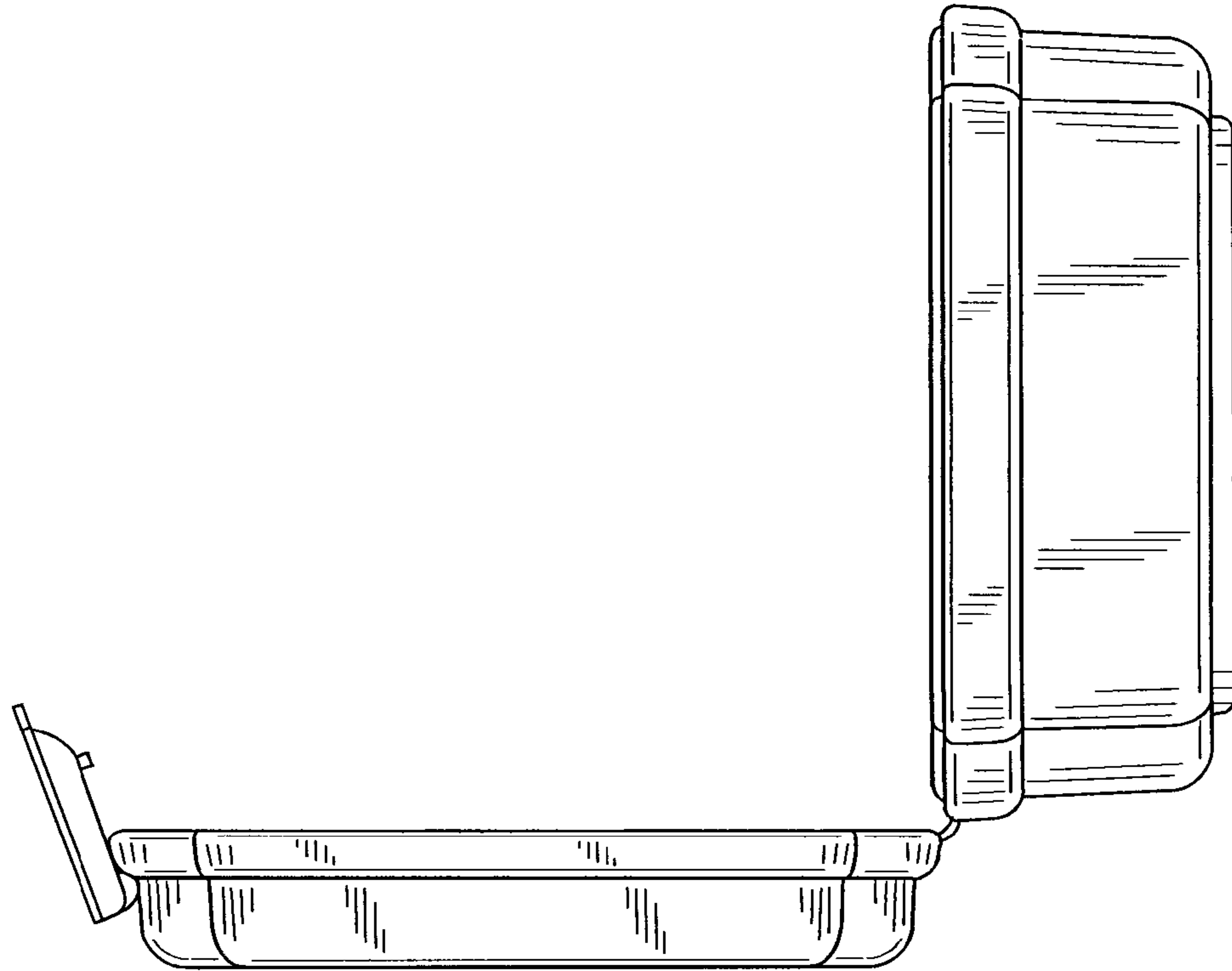


FIG. 6