



US00D727616S

(12) **United States Design Patent**
Swan et al.

(10) **Patent No.:** **US D727,616 S**
(45) **Date of Patent:** **** Apr. 28, 2015**

(54) **OPEN FRAME HOLSTER**

(71) Applicant: **S & S Precision, LLC**, Virginia Beach, VA (US)

(72) Inventors: **Johnny E. Swan**, Virginia Beach, VA (US); **Andrew C. Borland**, Virginia Beach, VA (US); **William-Joseph Basan Elizalde**, Virginia Beach, VA (US)

(73) Assignee: **S & S Precision, LLC**, Virginia Beach, VA (US)

(**) Term: **14 Years**

(21) Appl. No.: **29/461,682**

(22) Filed: **Jul. 26, 2013**

(51) **LOC (10) Cl.** **03-01**

(52) **U.S. Cl.**
USPC **D3/222**

(58) **Field of Classification Search**
CPC A45F 2003/003; A45F 3/005; A45F 2003/006; A45F 2003/007; A45F 3/02; A45F 3/04; A45F 2003/045; A45F 3/047; A45F 3/06; A45F 2003/148; A45F 5/00; A45F 5/021; A45F 2005/025; A45F 2200/05; A45F 2200/0591
USPC D3/222-223; 224/191-193, 198, 238, 224/243, 666, 668, 678, 911-912
See application file for complete search history.

(56) **References Cited**

U.S. PATENT DOCUMENTS

D641,548 S * 7/2011 Zusman D3/222
D651,792 S * 1/2012 Holiwell D3/222

* cited by examiner

Primary Examiner — Catheri Oliver-Garcia
(74) *Attorney, Agent, or Firm* — Kilpatrick Townsend & Stockton LLP

(57) **CLAIM**

The ornamental design for an open frame holster, as shown and described.

DESCRIPTION

FIG. 1 is a side perspective view of an open frame holster showing our new design;
FIG. 2 is a front view thereof;
FIG. 3 is a right side view thereof;
FIG. 4 is a top plan view thereof;
FIG. 5 is a bottom plan view thereof;
FIG. 6 is a left side view thereof;
FIG. 7 is a rear view thereof; and,
FIG. 8 is a left side view thereof, similar to FIG. 6, showing the arrangement of a suppressed pistol in the open frame holster.
The broken line portions showing surface cavities, extensions and through-holes in FIGS. 1-8, and the exemplary suppressed pistol outline in FIG. 8, are shown to illustrate environment only and form no part of the claimed design.

1 Claim, 3 Drawing Sheets

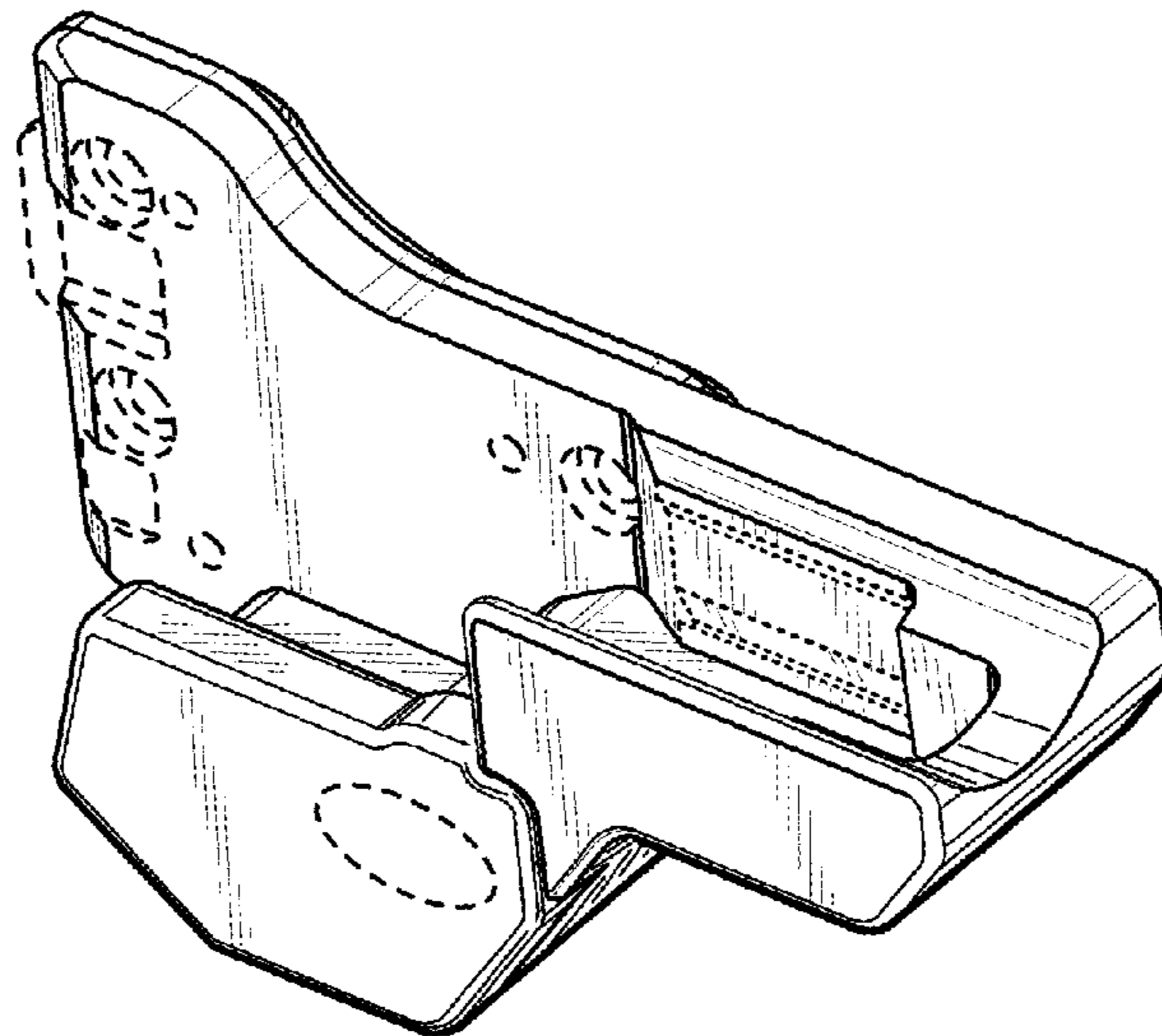


FIG. 1

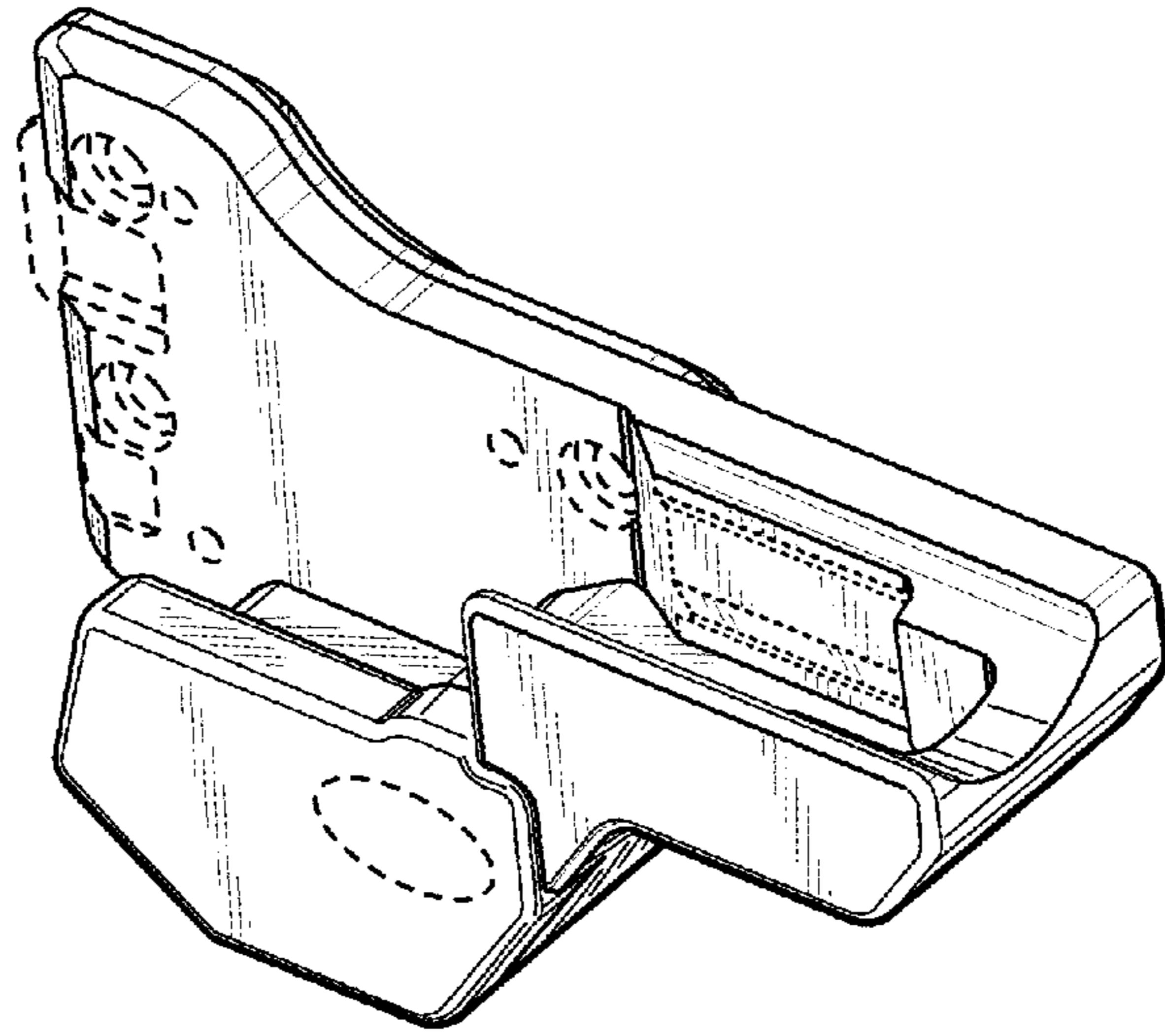


FIG. 2

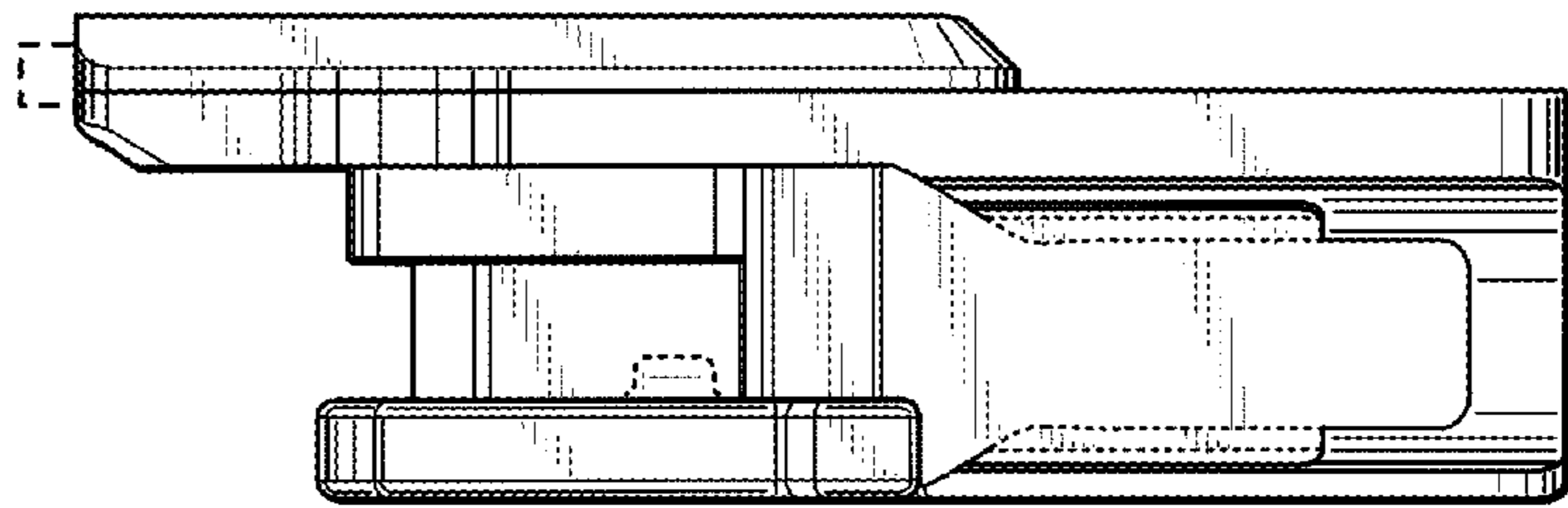


FIG. 4

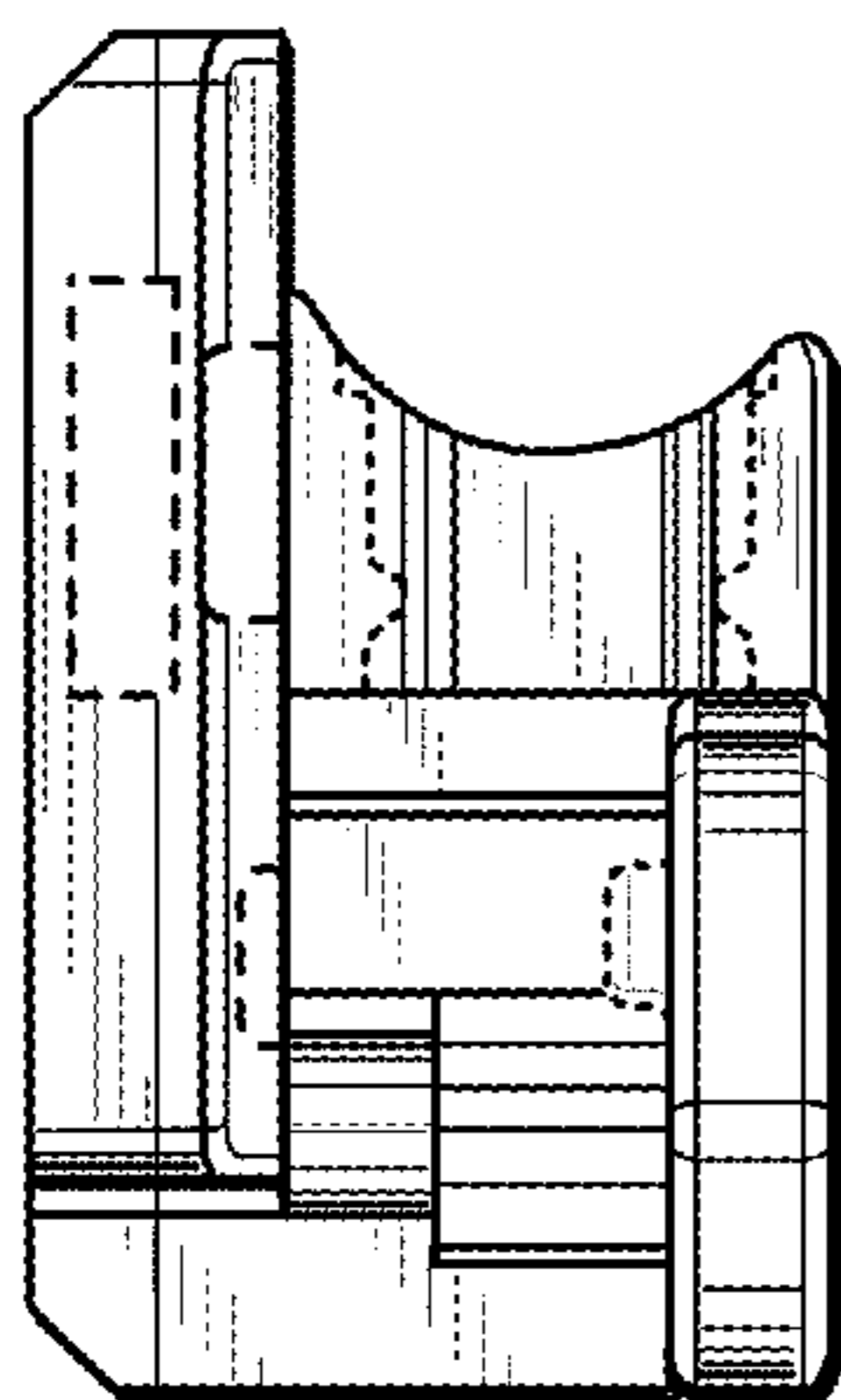
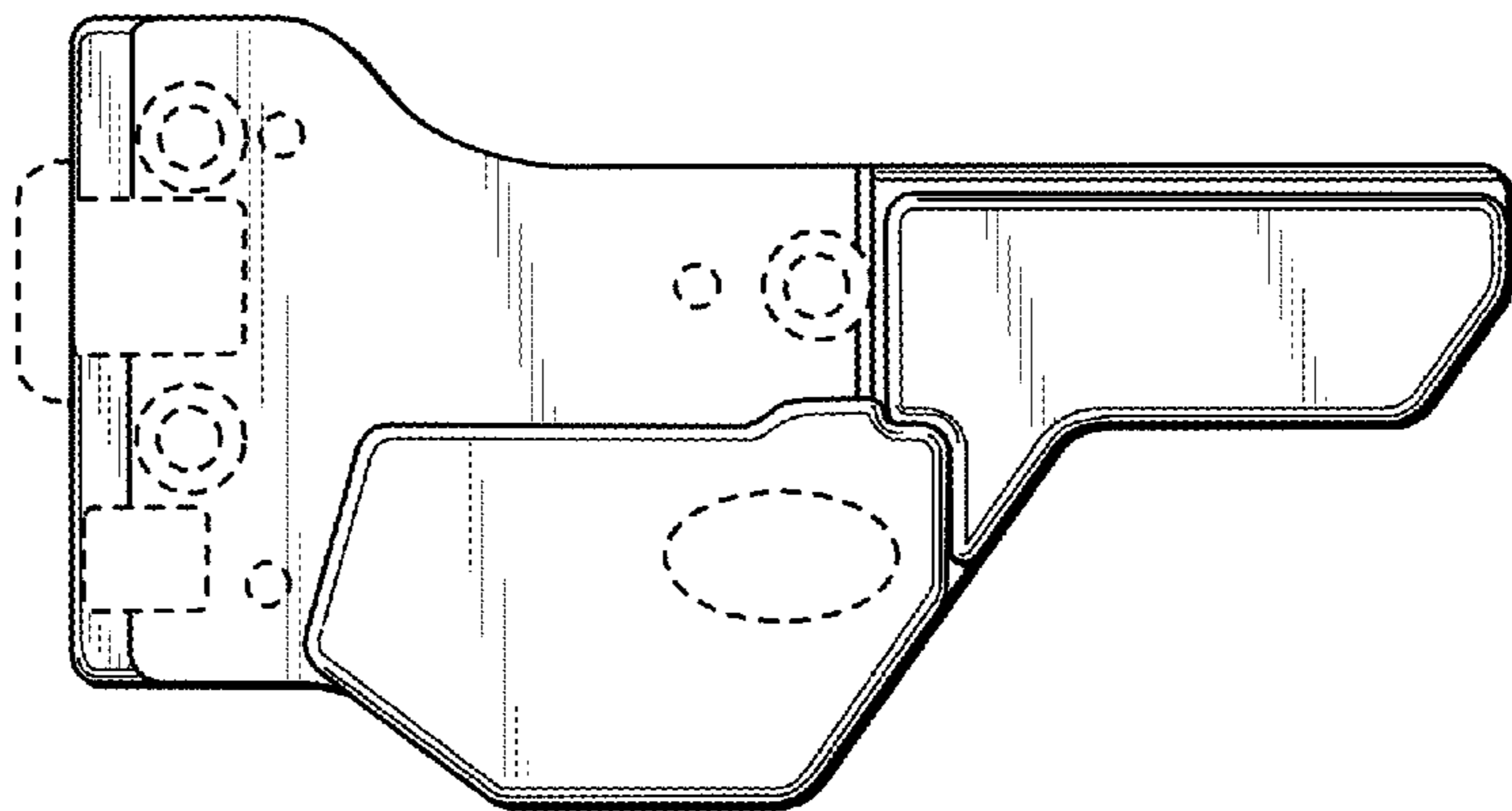


FIG. 3



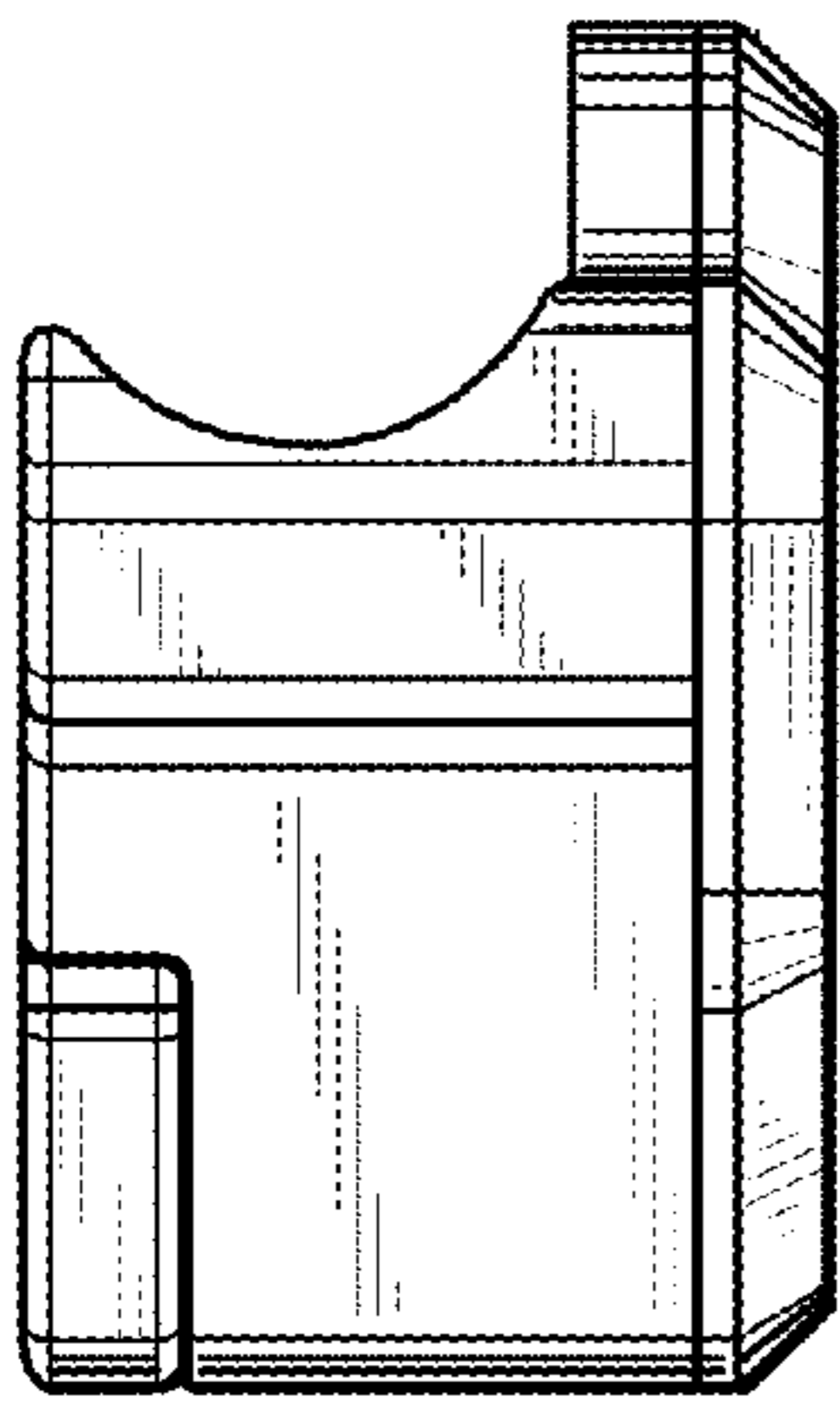


FIG. 5

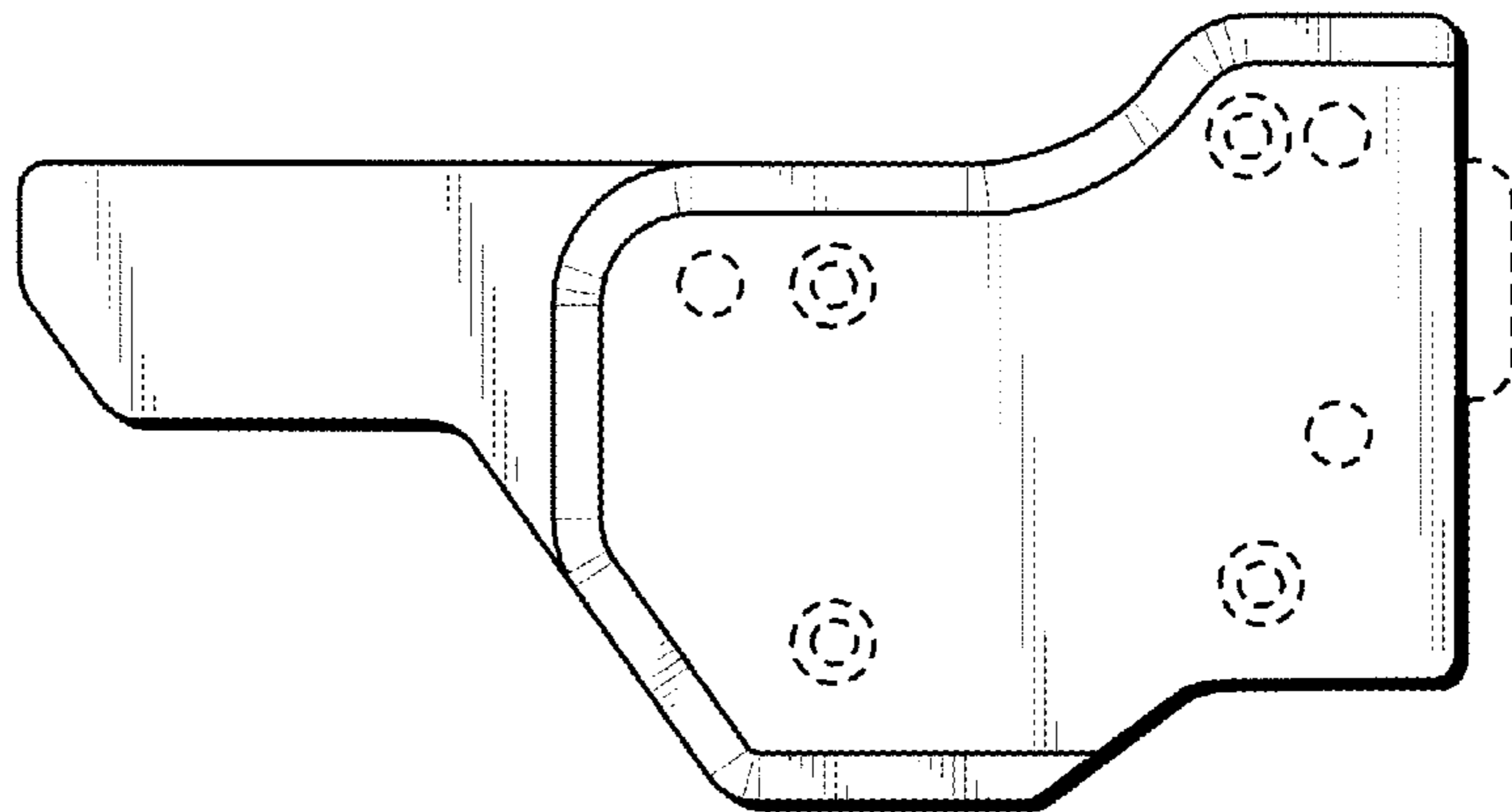


FIG. 6

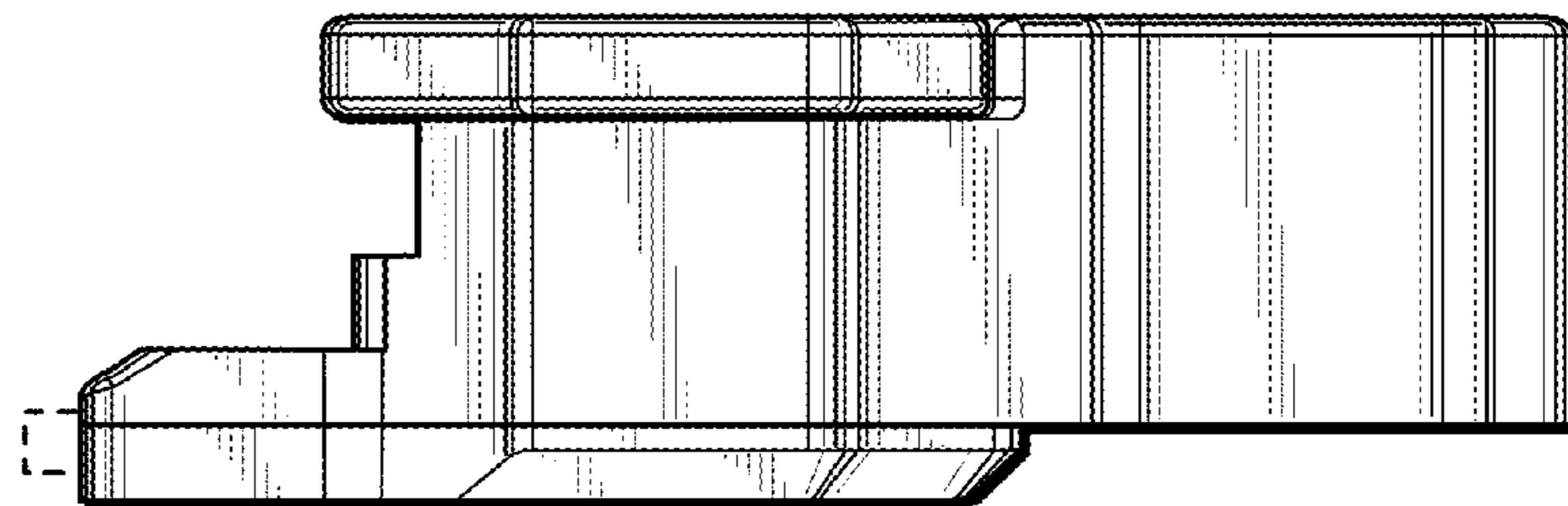


FIG. 7

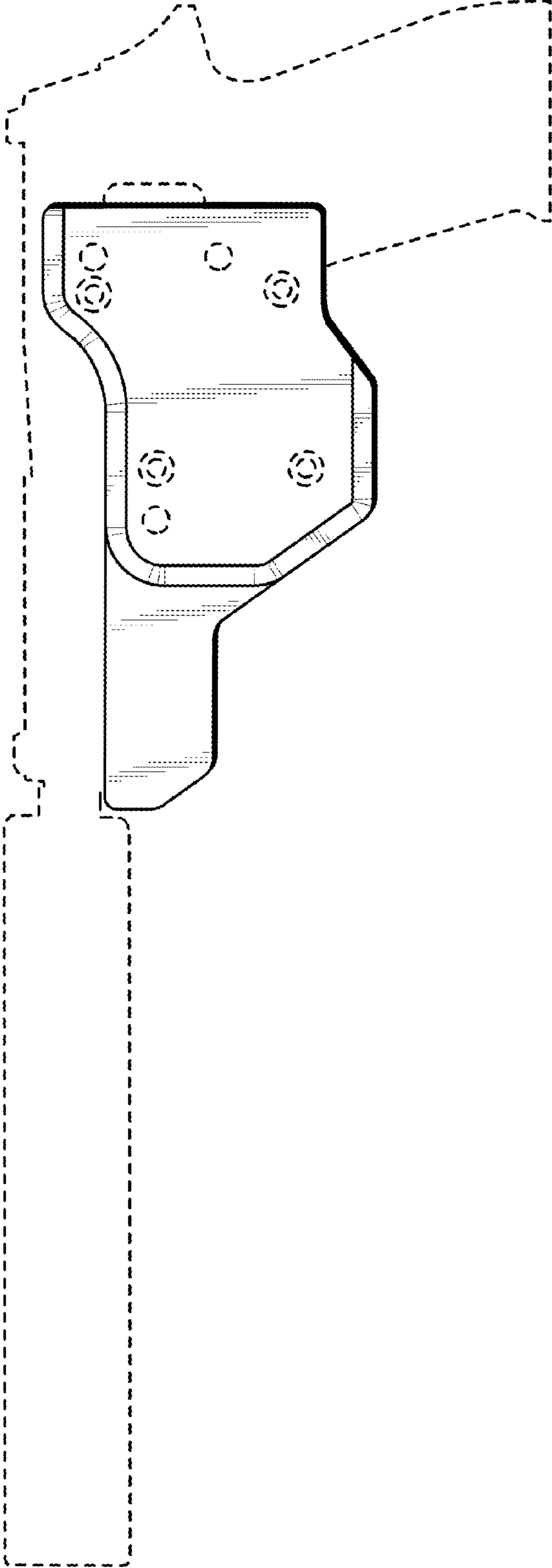


FIG. 8