

US00D727614S

(12) **United States Design Patent**
Griffith

(10) **Patent No.:** **US D727,614 S**

(45) **Date of Patent:** **** Apr. 28, 2015**

(54) **UMBRELLA TABLE ATTACHMENT**
(71) Applicant: **Amy W Griffith**, Apopka, FL (US)
(72) Inventor: **Amy W Griffith**, Apopka, FL (US)

D673,516 S * 1/2013 Blazevic D13/183
D676,965 S * 2/2013 Sibhatu et al. D24/152
D691,879 S * 10/2013 Bernard D8/382
D706,121 S * 6/2014 Norton et al. D8/380
2010/0147341 A1* 6/2010 Li 135/16
2014/0028242 A1* 1/2014 Akin et al. 320/101

(**) Term: **14 Years**

* cited by examiner

(21) Appl. No.: **29/451,834**

Primary Examiner — Cathron Brooks

Assistant Examiner — Catherine Posthauer

(22) Filed: **Apr. 9, 2013**

(74) *Attorney, Agent, or Firm* — William M. Hobby, II

(51) **LOC (10) Cl.** **03-03**

(57) **CLAIM**

(52) **U.S. Cl.**
USPC **D3/10**

The ornamental design for an umbrella table attachment, as shown and described.

(58) **Field of Classification Search**
CPC A45B 25/12; A45B 2025/0003
USPC D3/10; D8/310, 343, 352, 354, 380,
D8/382; D21/318, 453, 710, 839, 900;
D10/122, 123, 126; D13/183;
D24/152; 135/16; 320/101
See application file for complete search history.

DESCRIPTION

(56) **References Cited**

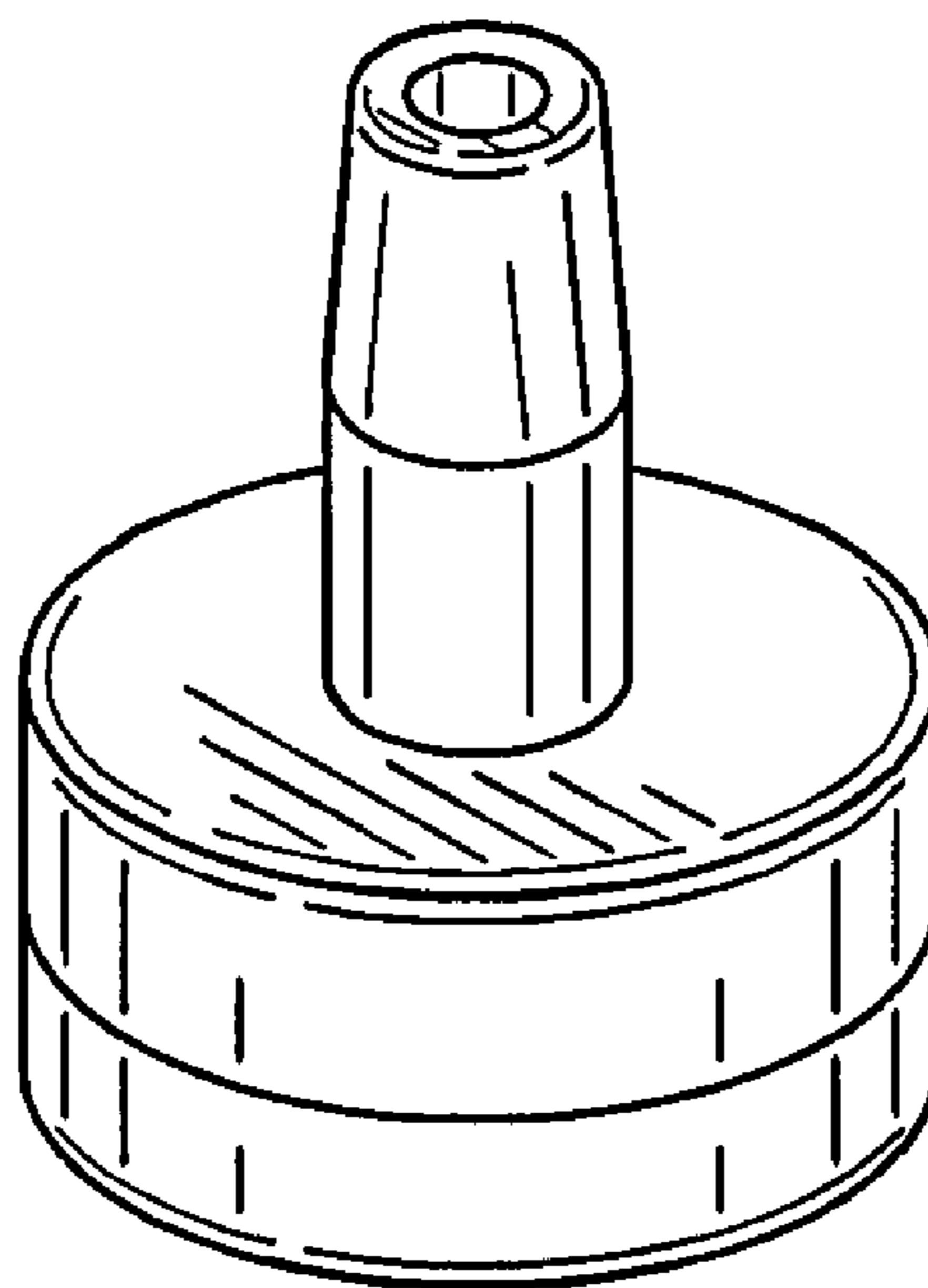
U.S. PATENT DOCUMENTS

D286,116 S * 10/1986 Tegze D6/495
D295,368 S * 4/1988 Niwa D8/354
D447,930 S * 9/2001 Larson D8/354
D530,185 S * 10/2006 Osiecki et al. D8/343
D545,664 S * 7/2007 Fields D8/310
D623,045 S * 9/2010 Moncade et al. D8/354
D623,845 S * 9/2010 Lintott et al. D3/10

FIG. 1 is a top perspective view of my new umbrella table attachment;
FIG. 2 is a side elevation thereof, it being understood that the view from all sides is identical;
FIG. 3 is a top plan view thereof;
FIG. 4 is a bottom plan view thereof;
FIG. 5 is a sectional view taken on line 5-5 of FIG. 7;
FIG. 6 is a sectional view taken on line 6-6 of FIG. 7; and,
FIG. 7 is a side elevational view of the umbrella stand shown in an alternate position of use, holding an umbrella and attached to a table.

The broken lines shown in the drawings are for the purpose of illustrating environment and portions of the article, and form no part of the claimed design.

1 Claim, 2 Drawing Sheets



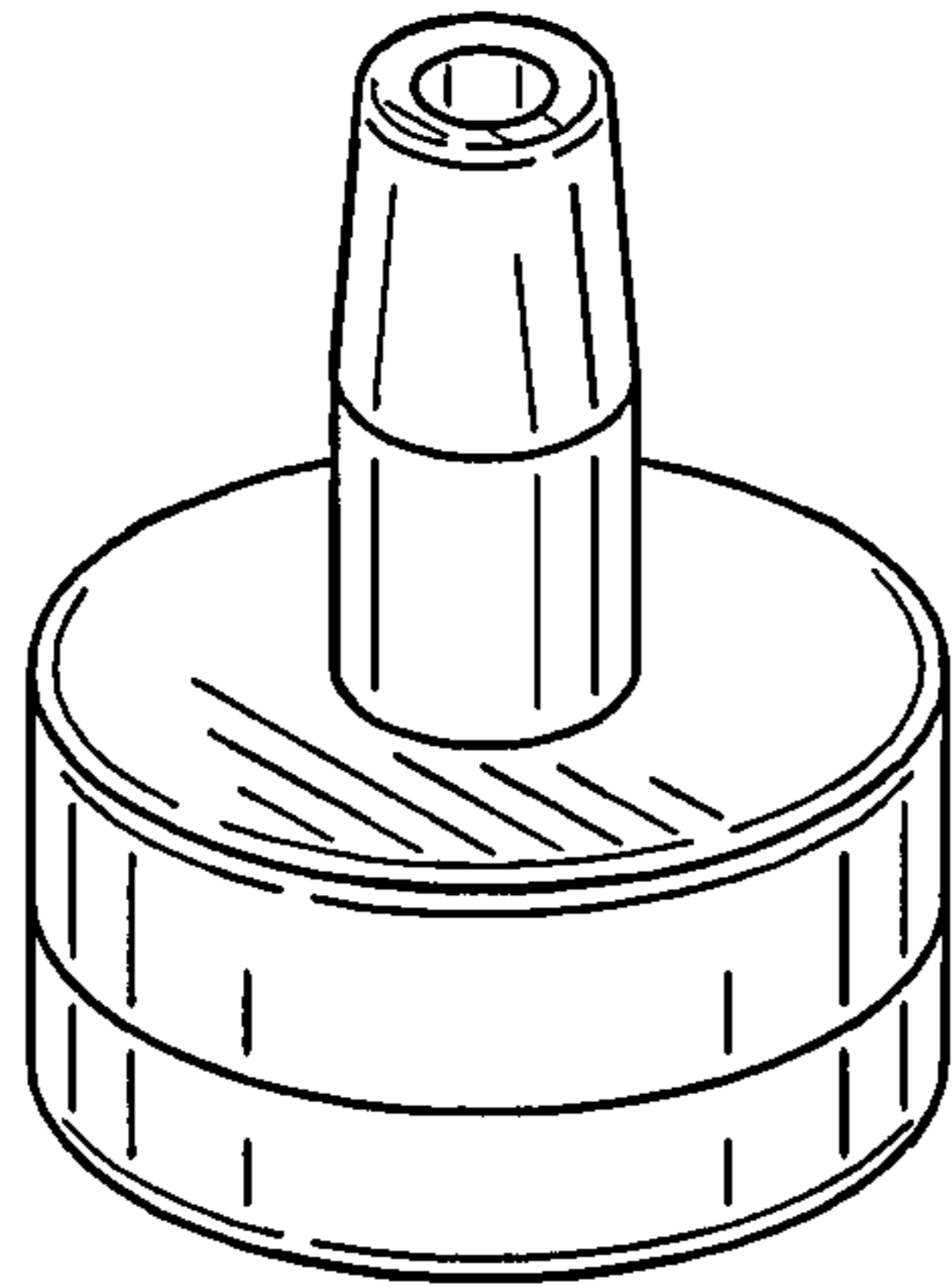


FIG. 1

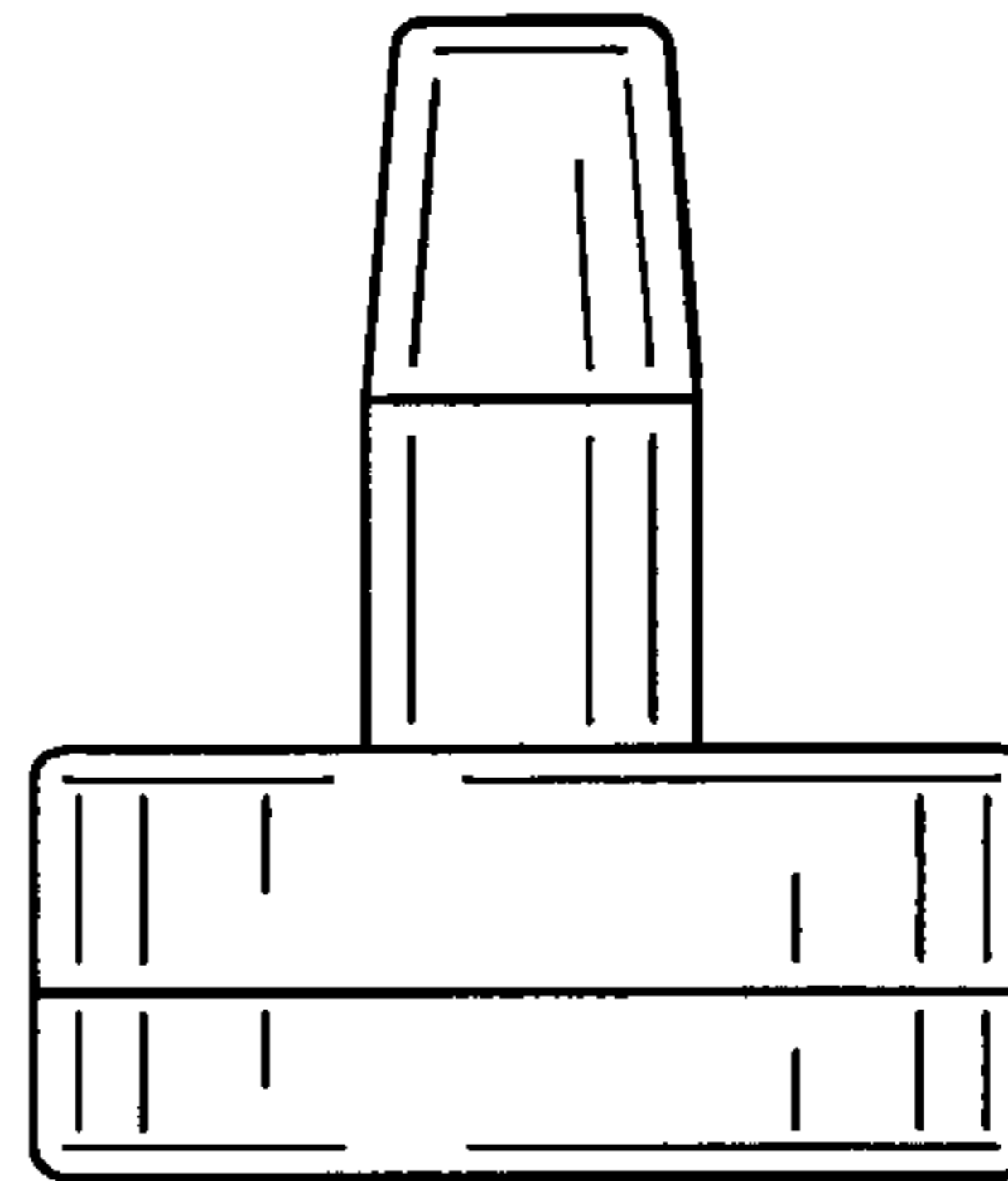


FIG. 2



FIG. 3

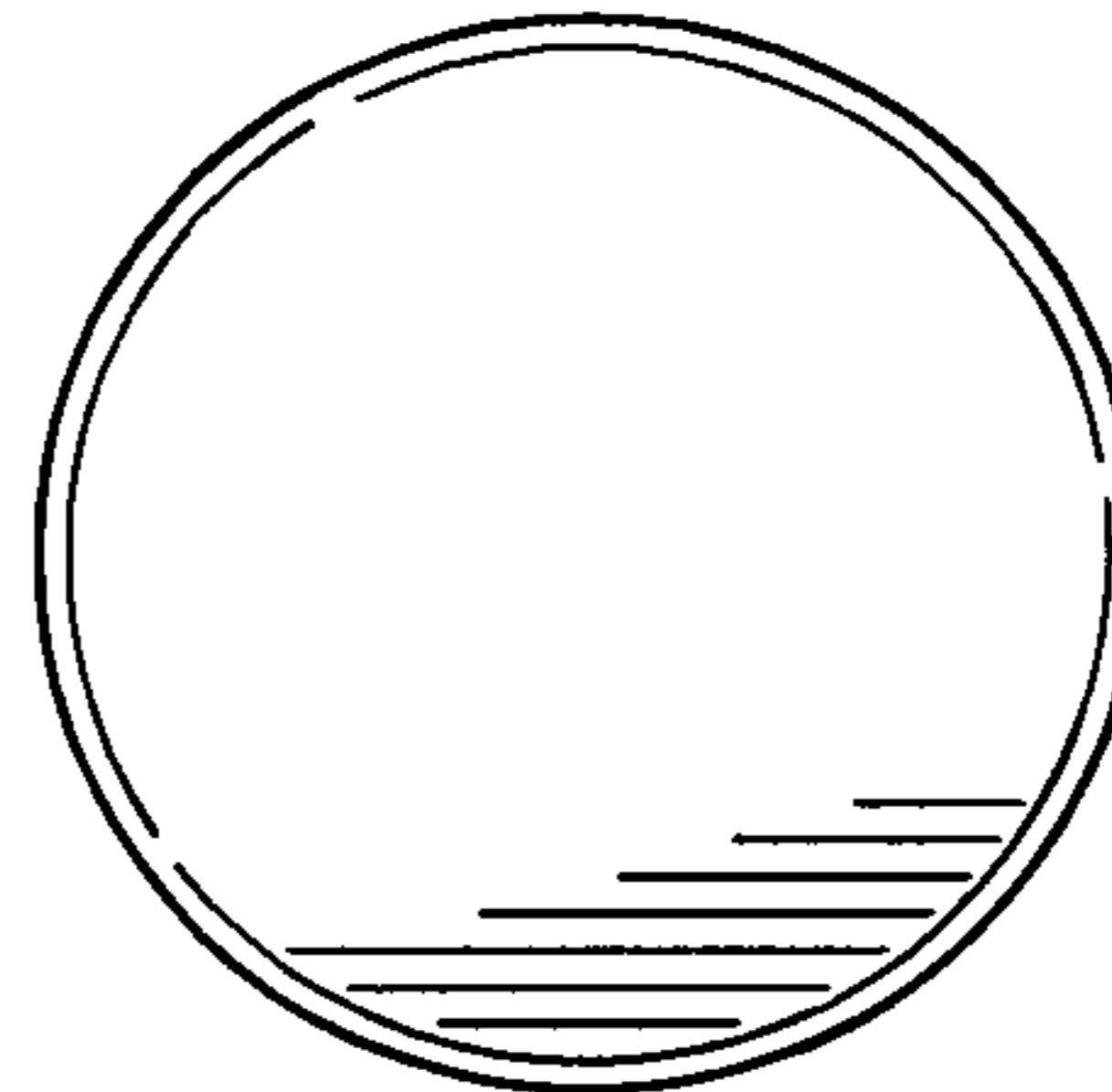


FIG. 4

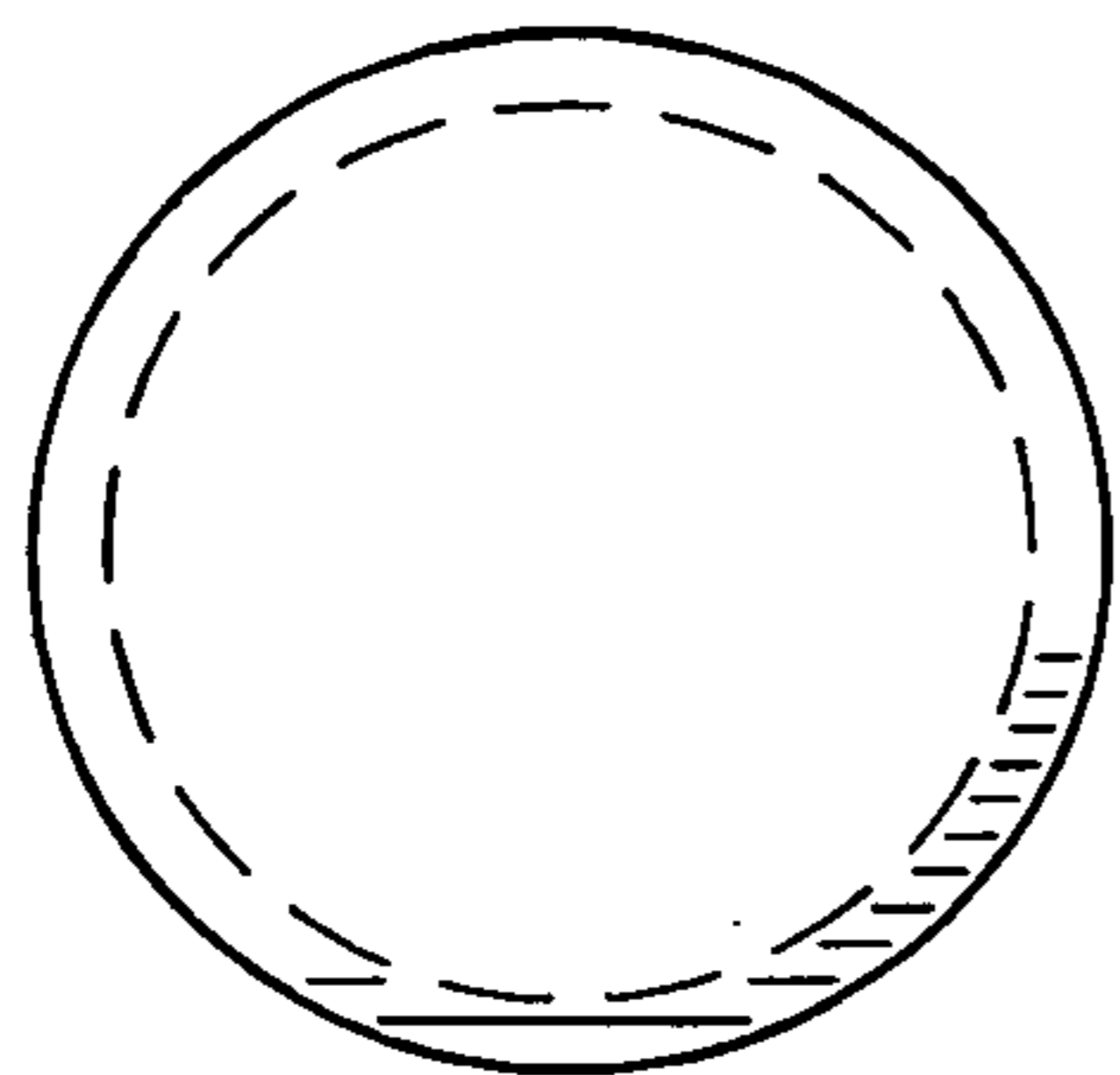


FIG. 5

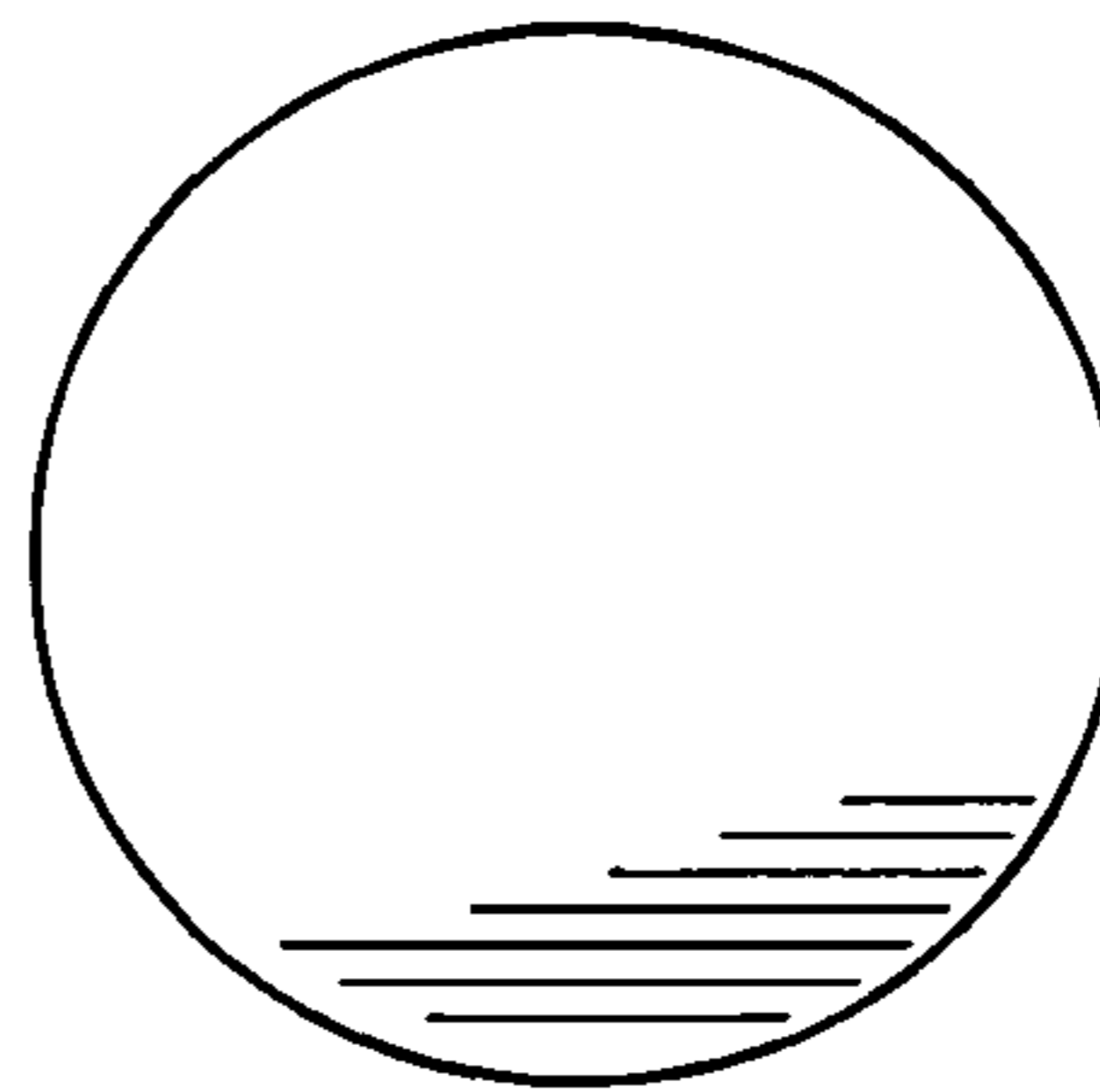


FIG. 6

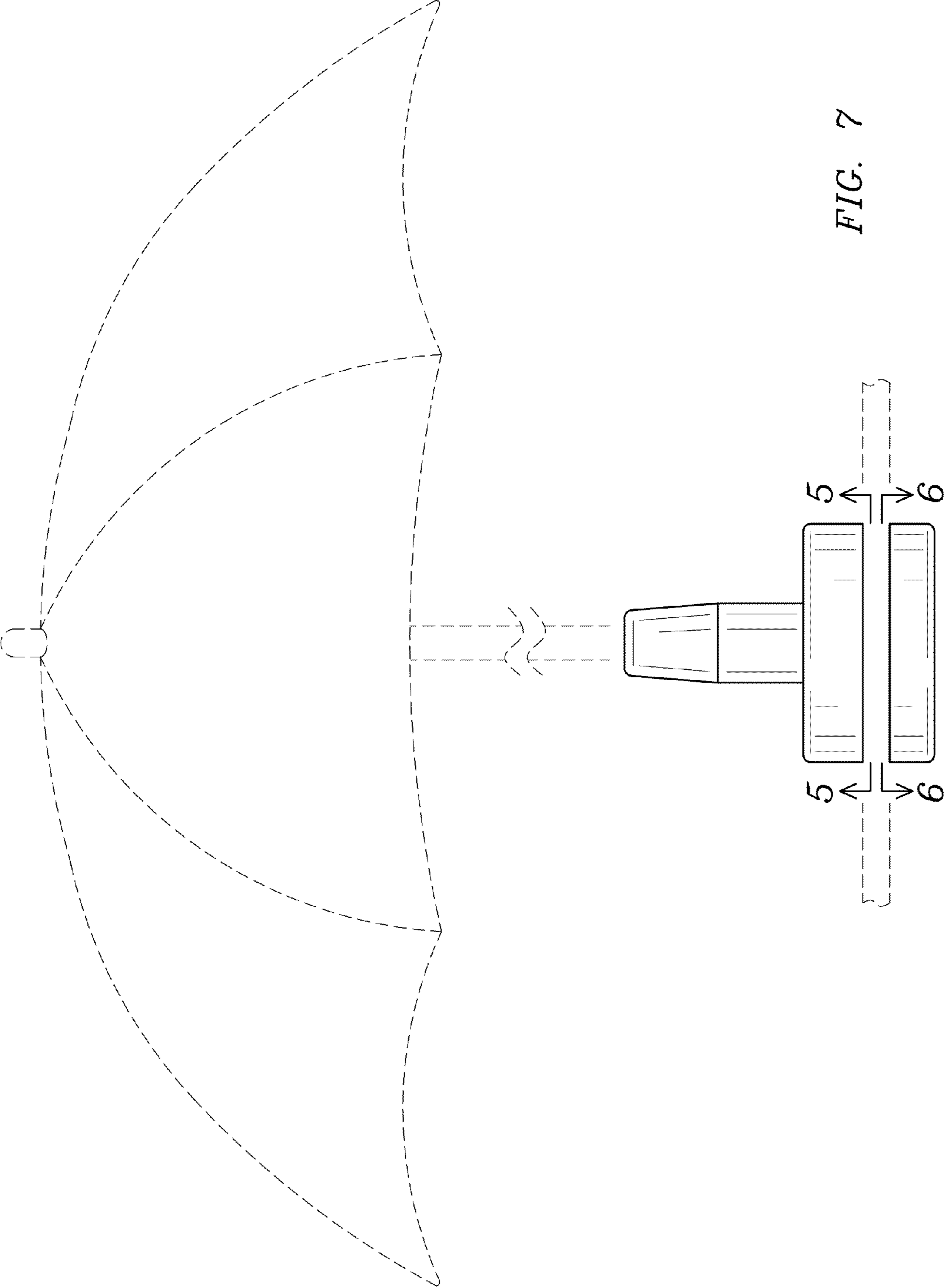


FIG. 7