



US00D727611S

(12) **United States Design Patent**
Dillenbeck

(10) **Patent No.:** **US D727,611 S**
(45) **Date of Patent:** **** Apr. 28, 2015**

(54) **FOOTWEAR UPPER**

(71) Applicant: **Deckers Outdoor Corporation**, Goleta, CA (US)

(72) Inventor: **Ryan Dillenbeck**, Carpinteria, CA (US)

(73) Assignee: **Deckers Outdoor Corporation**, Goleta, CA (US)

(**) Term: **14 Years**

(21) Appl. No.: **29/490,265**

(22) Filed: **May 8, 2014**

(51) **LOC (10) Cl.** **02-04**

(52) **U.S. Cl.**
USPC **D2/970**

(58) **Field of Classification Search**
CPC A43C 1/00; A43C 11/004; A43B 3/16;
A43B 23/00

USPC D2/896, 900, 909-911, 943, 946, 969,
D2/970, 974; 36/83, 1.5, 2 R, 109, 3 A,
36/7.1 R, 45, 52, 112, 100

See application file for complete search history.

(56) **References Cited**

U.S. PATENT DOCUMENTS

177,396 A *	5/1876	Harris	36/50.1
D64,104 S *	2/1924	Kezy	D2/911
D122,454 S *	9/1940	Ascheim	D2/911
D129,261 S *	9/1941	Justin	D2/911
D136,965 S *	1/1944	Wharton	D2/911
D569,090 S	5/2008	Uratsu		
D581,646 S	12/2008	Le		

OTHER PUBLICATIONS

UGG Rosalie model, www.zappos.com, http://www.zappos.com/ugg-rosalie-chocolate-leather?orderBy=latest; see review dated Feb. 24, 2014, see images.

UGG Australia Conchetta model, www.uggaustralia.com, http://www.uggaustralia.com/women-boots/conchetta/1004606.html?dwvr_1004606_color . . . ; see review dated Sep. 8, 2013, see images.

UGG Australia Barlow model, www.uggaustralia.com, http://www.uggaustralia.com/women-boots/barlow/1003316.html?dwvar_1003316_color=C . . . ; May 1, 2014, see images.

* cited by examiner

Primary Examiner — Ian Simmons

Assistant Examiner — Rashida C McCoy

(74) *Attorney, Agent, or Firm* — Greer, Burns & Crain, Ltd.

(57) **CLAIM**

The ornamental design for a footwear upper, as shown and described.

DESCRIPTION

FIG. 1 is a perspective view of a footwear upper showing my new design;

FIG. 2 is a side elevational view thereof;

FIG. 3 is an opposite side elevational view thereof;

FIG. 4 is a front elevational view thereof;

FIG. 5 is a rear elevational view thereof;

FIG. 6 is a top plan view thereof; and,

FIG. 7 is a bottom plan view thereof.

The broken lines in FIGS. 1-7 represent portions of the footwear that form no part of the claimed design. The broken line located between the exterior and the interior of the footwear upper, and the dot-dash line define the bounds of the claimed design and form no part thereof.

1 Claim, 5 Drawing Sheets



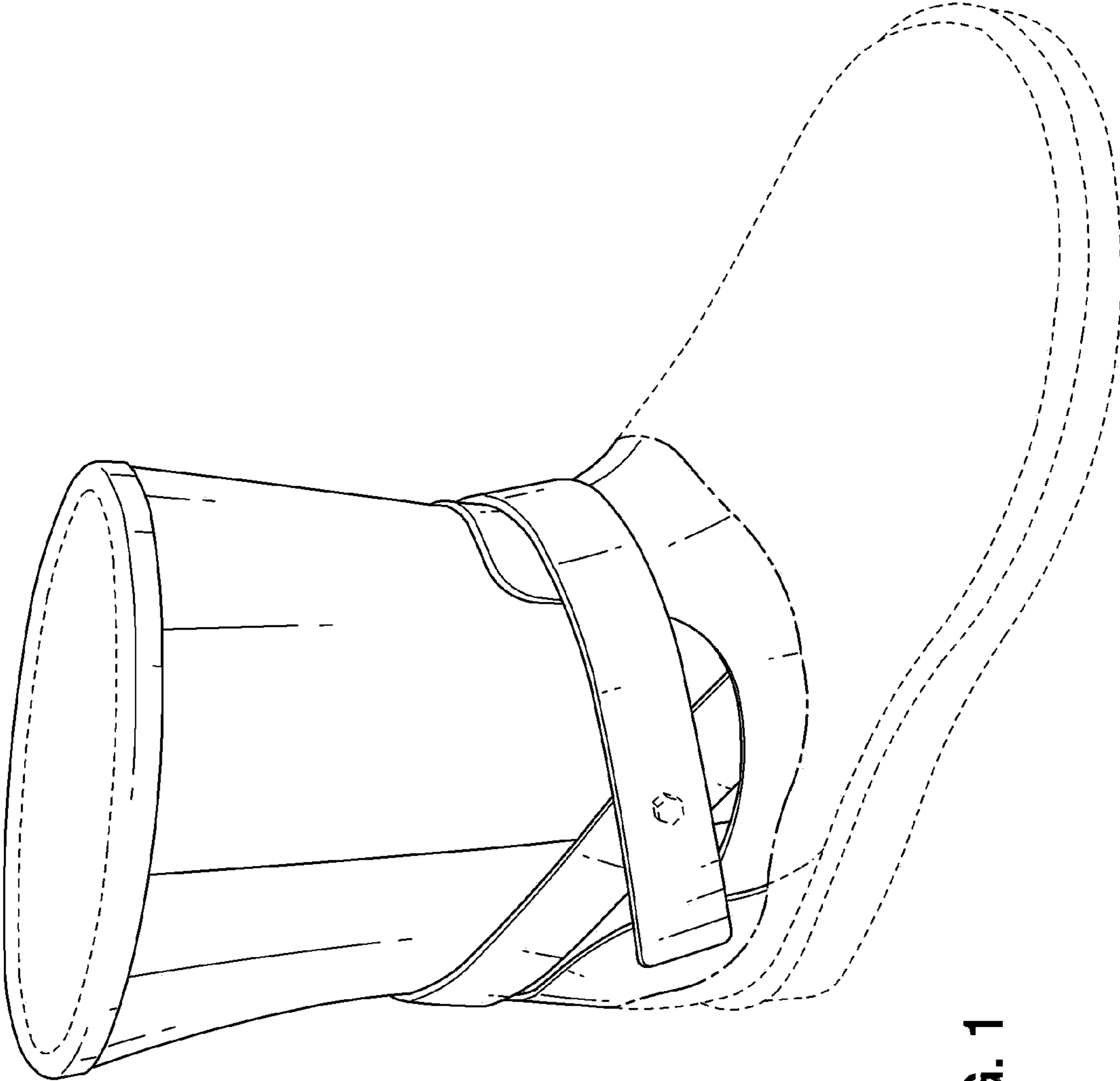


FIG. 1

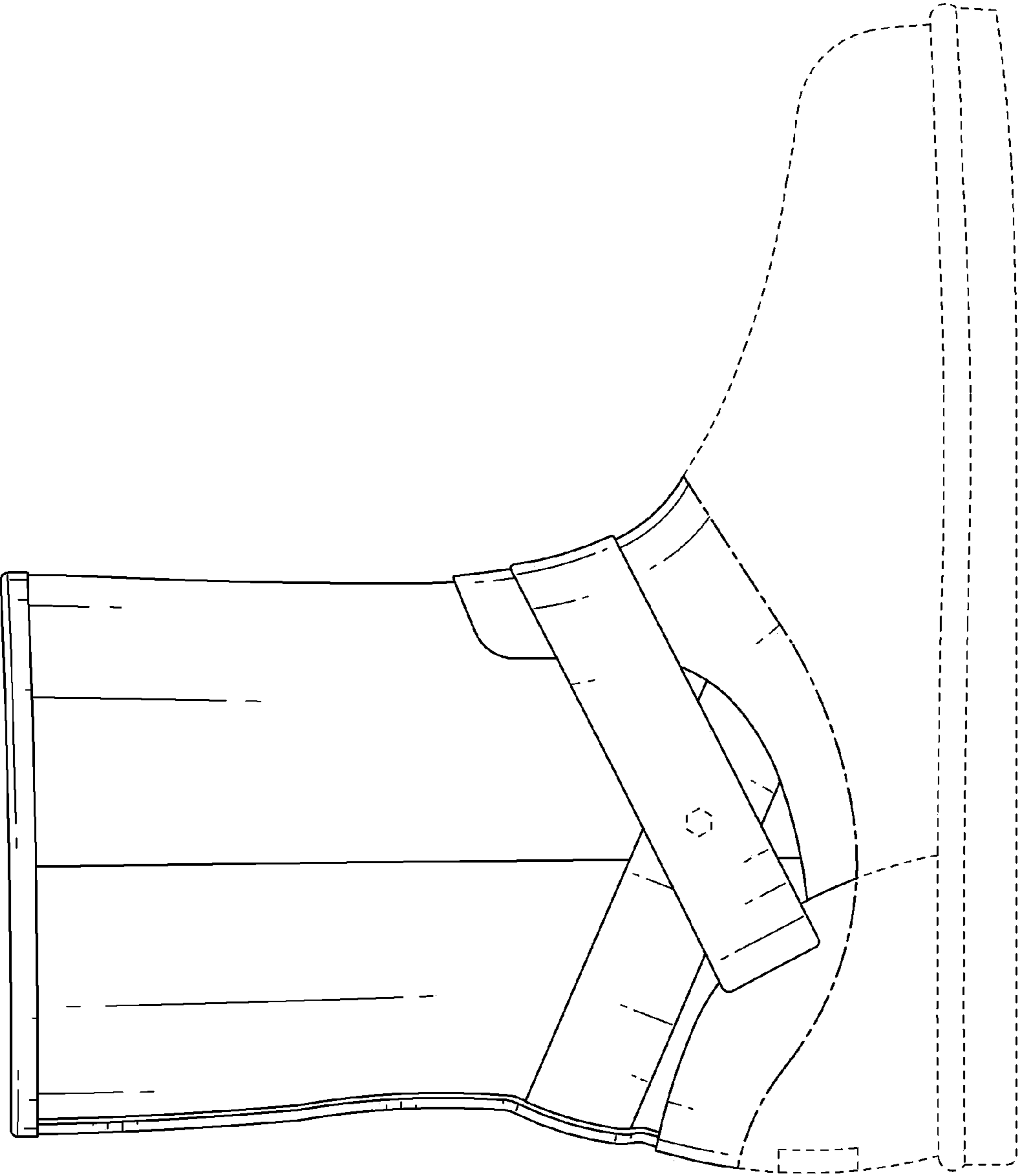


FIG. 2

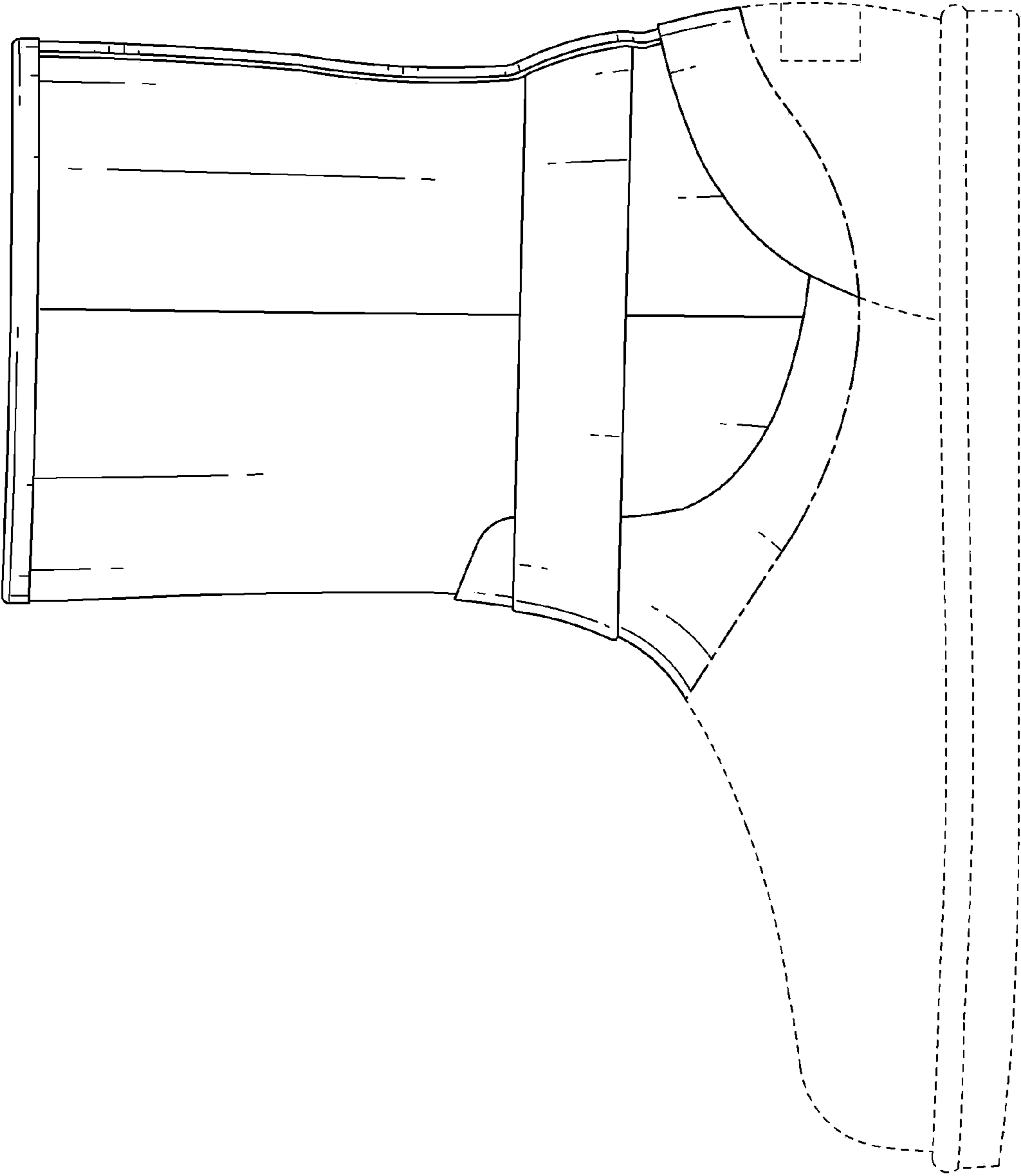


FIG. 3

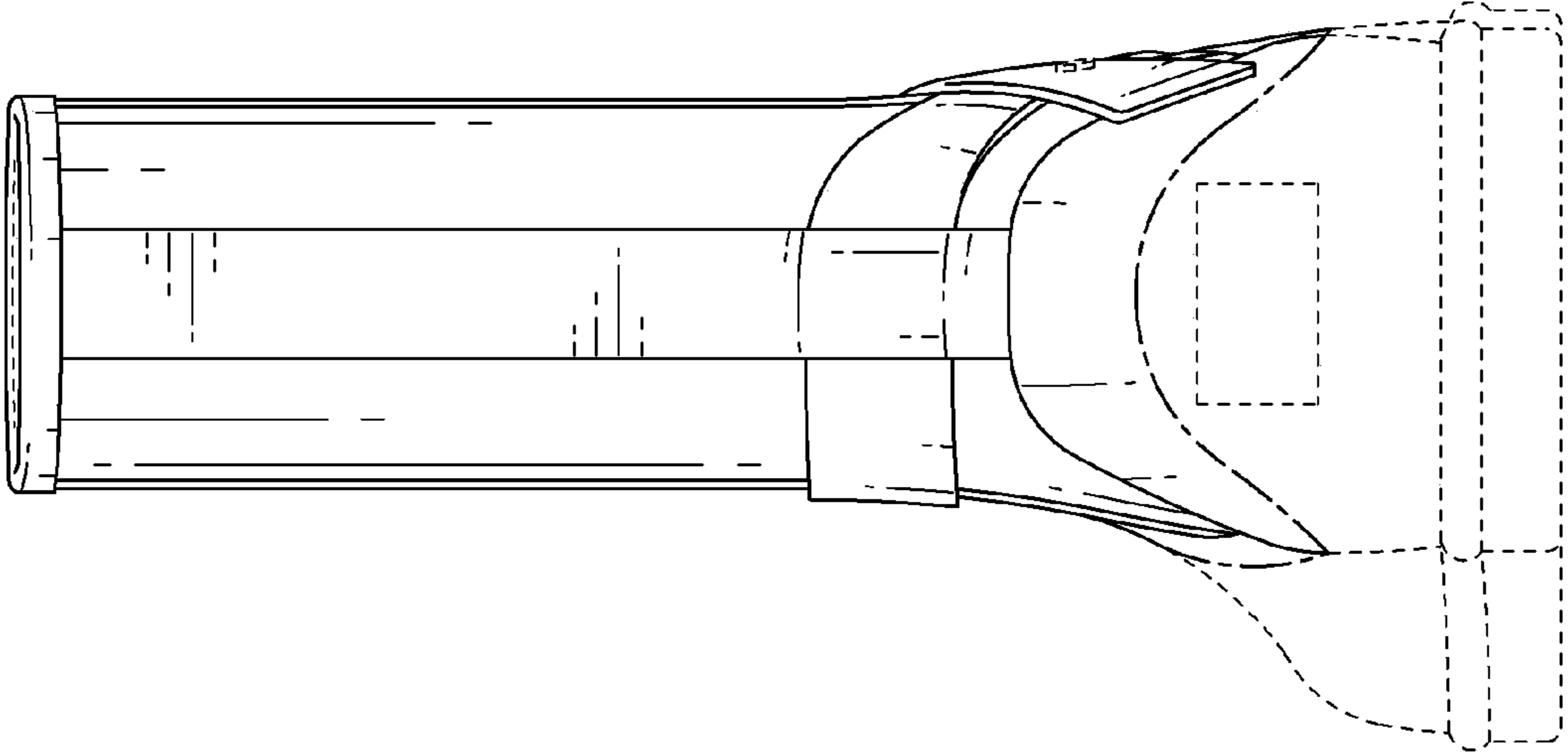


FIG. 5

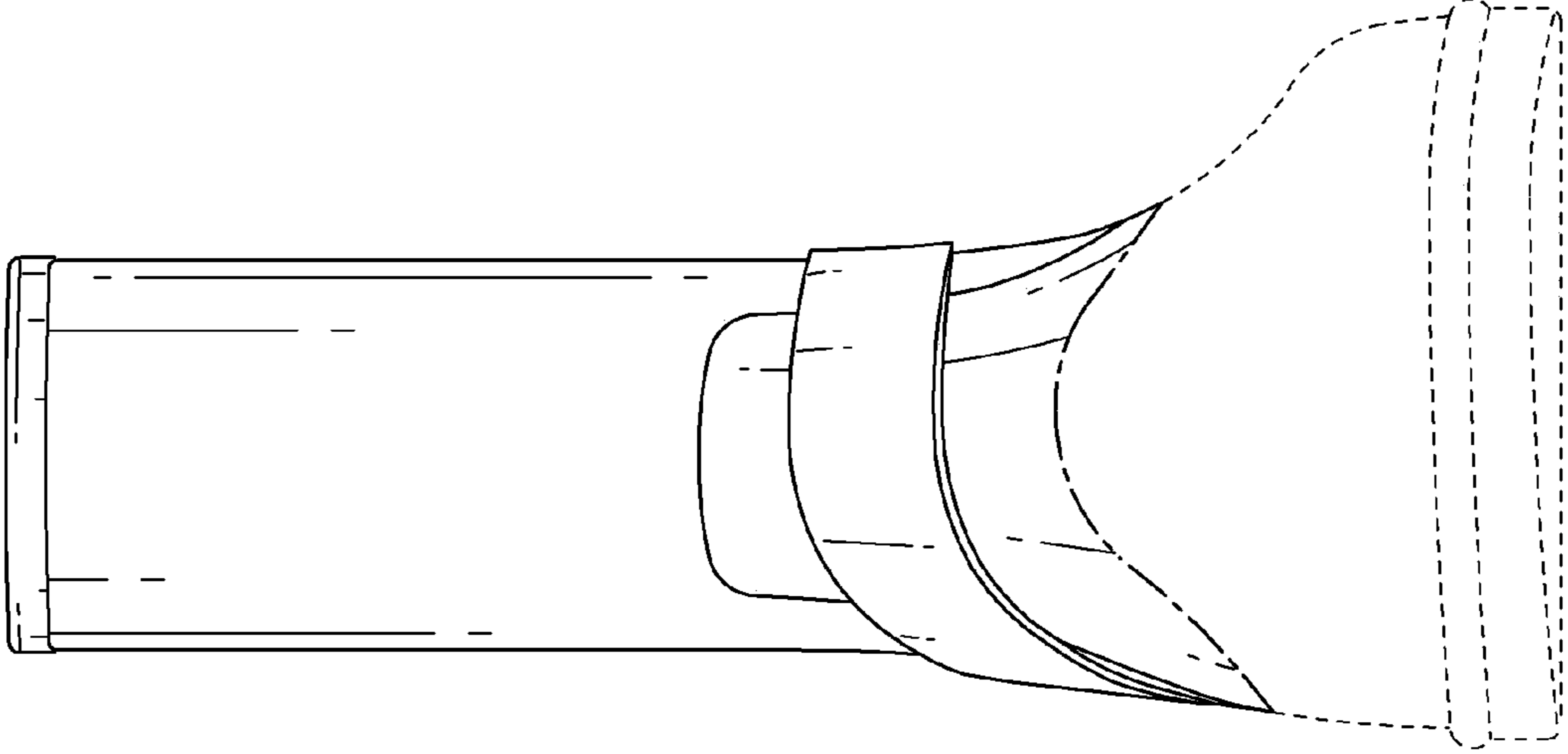


FIG. 4

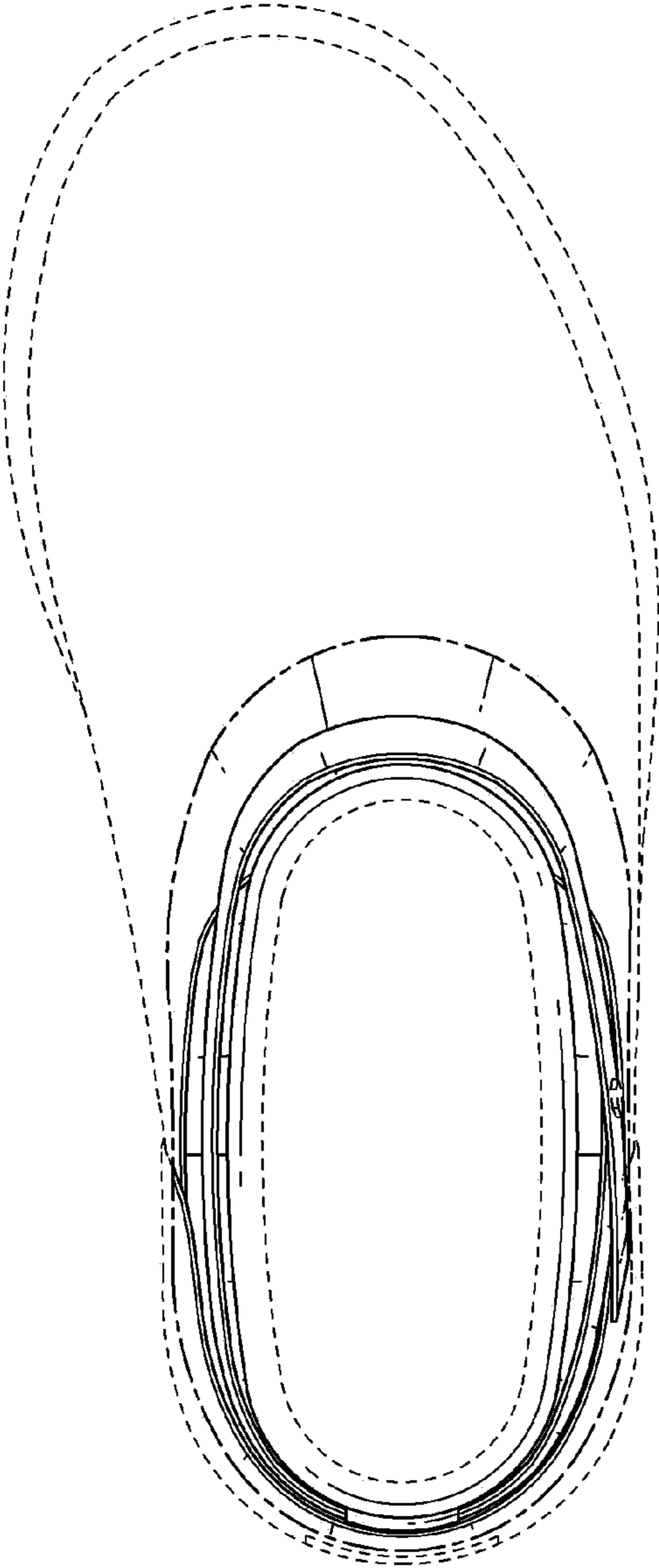


FIG. 6

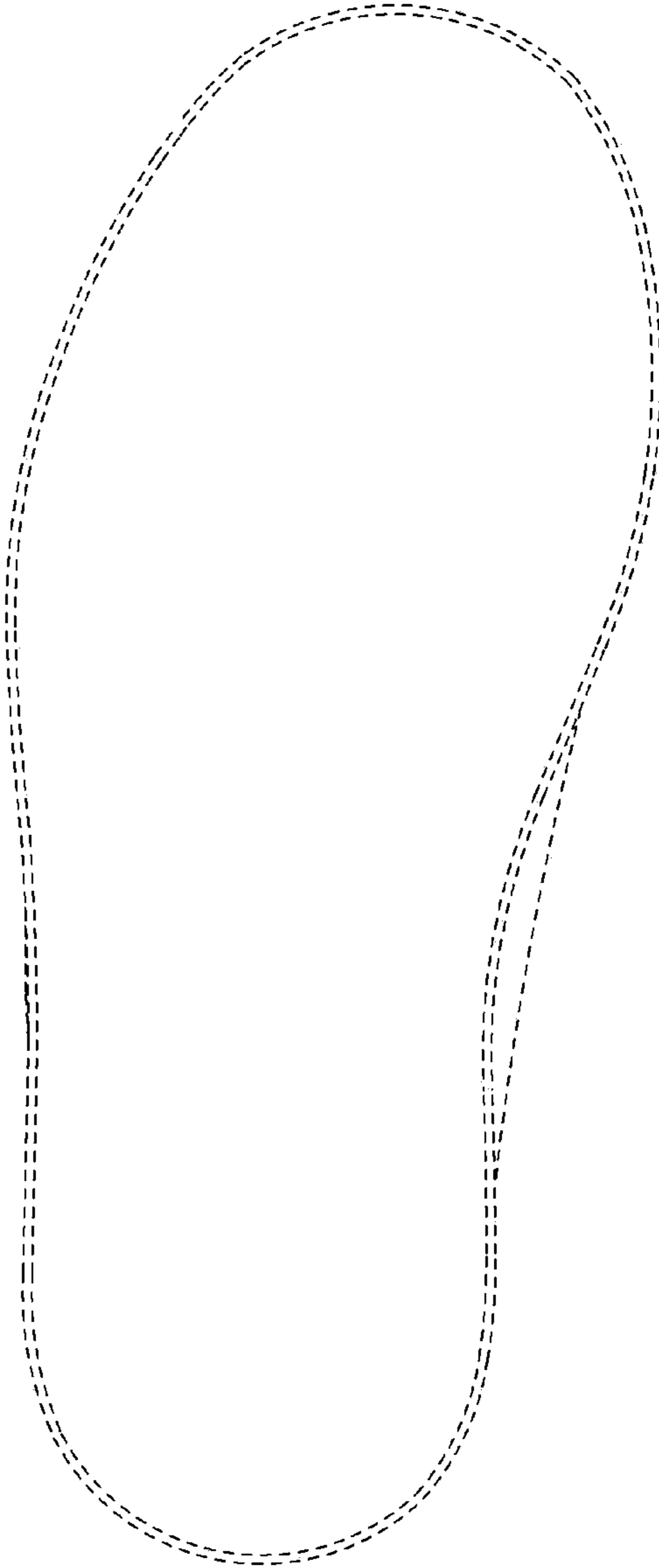


FIG. 7