



US00D727605S

(12) **United States Design Patent**  
**Morris**

(10) **Patent No.:** **US D727,605 S**  
(45) **Date of Patent:** **\*\* Apr. 28, 2015**

- (54) **HAT**
- (71) Applicant: **Theresa Anna Seton Morris**, Bryn Mawr, PA (US)
- (72) Inventor: **Theresa Anna Seton Morris**, Bryn Mawr, PA (US)
- (\*\*) Term: **14 Years**
- (21) Appl. No.: **29/453,393**
- (22) Filed: **Apr. 29, 2013**
- (51) **LOC (10) Cl.** ..... **02-03**
- (52) **U.S. Cl.**  
USPC ..... **D2/888**
- (58) **Field of Classification Search**  
CPC ..... A42B 1/066; A42B 1/201; A42B 1/248  
USPC ..... D2/865, 866, 872, 873, 878, 879, 882, 886, 888, 890, 891, 893; 2/171.03, 2/171.1, 171.3, 171.4, 171.5, 171.6, 2/171.7, 171.8, 172, 184.5, 206, 207, 2/209.11, 209.12, 209.13, 175.1, 175.2, 2/175.3, 175.5, 175.6, 195.1, 195.7, 10, 2/6.1, 6.3, 6.5, 6.7, 63, 181.4, 205, 410, 2/422, 424; D29/102, 103, 104, 105, D29/106, 107, 122, 100, 108, 109, 110  
See application file for complete search history.

D568,029	S	*	5/2008	Niles	.....	D2/882
D623,831	S	*	9/2010	Parsons et al.	.....	D2/882
D659,351	S	*	5/2012	Benkendorfer	.....	D2/865
8,402,564	B2	*	3/2013	Duwyn-Zylstra	.....	2/175.1
D681,926	S	*	5/2013	Votel et al.	.....	D2/886

(Continued)

FOREIGN PATENT DOCUMENTS

KR	300385893.0000	*	7/2005
KR	300690165.0000	*	4/2013

OTHER PUBLICATIONS

LT TSA: Bucket Hats, Part 3 (on-line), posted on blog "a little gray," Aug. 17, 2011. Retrieved from the Internet Nov. 19, 2014, URL: <http://alittlegray.blogspot.com/2011/08/ltsa-bucket-hats-part-3-look-no-hand.html> (2 pages).\*

(Continued)

*Primary Examiner* — Karen E. Eldridge Powers  
*Assistant Examiner* — Kimberly Barnes  
(74) *Attorney, Agent, or Firm* — Baker & Hostetler LLP

(57) **CLAIM**  
I claim the ornamental design for a hat, as shown and described.

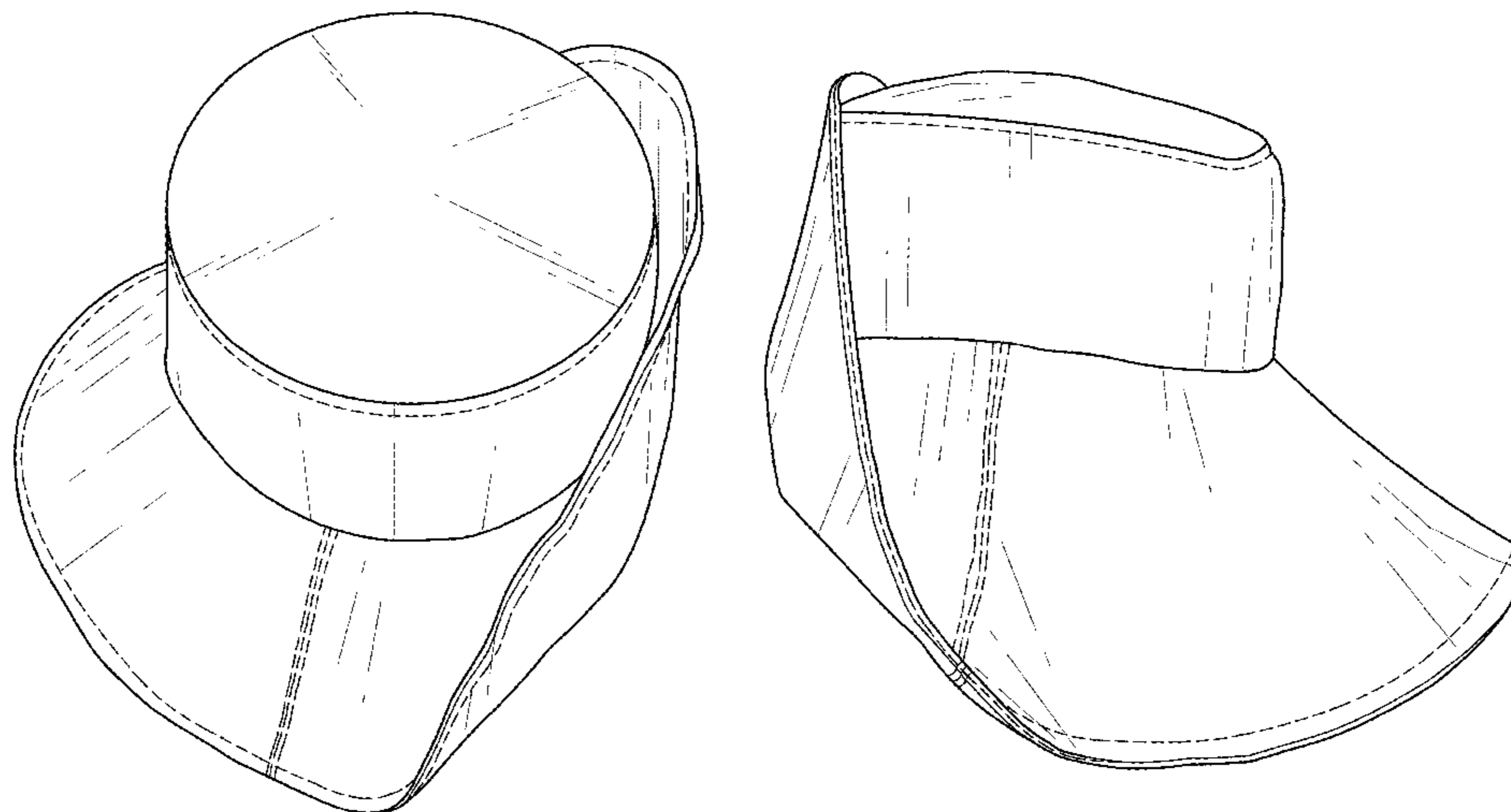
**DESCRIPTION**

FIG. 1 is a top, right, front perspective view of a hat according to my new design;  
FIG. 2 is a front elevation view thereof;  
FIG. 3 is a rear elevation view thereof;  
FIG. 4 is a left side elevation view thereof, the left side elevation view being a mirror image of the right side elevation view;  
FIG. 5 is top plan view thereof; and,  
FIG. 6 is a bottom plan view thereof.  
The indicia appearing in FIG. 2 and the other broken lines shown on the hat in all the figures illustrate environmental subject matter and form no part of the claimed design.

**1 Claim, 3 Drawing Sheets**

(56) **References Cited**  
U.S. PATENT DOCUMENTS

1,411,188	A	*	3/1922	Saltzman	.....	2/175.3
D163,466	S	*	5/1951	Maxwell	.....	D2/888
5,579,540	A	*	12/1996	Walker	.....	2/209.11
5,803,266	A	*	9/1998	Blackwelder	.....	206/575
6,101,632	A	*	8/2000	Veazey	.....	2/175.5
6,311,332	B1	*	11/2001	Lien	.....	2/209.13
6,317,892	B1	*	11/2001	Galigani	.....	2/209.11
D467,707	S	*	12/2002	Rothschild	.....	D2/866
D478,409	S	*	8/2003	Lesley	.....	D2/873
D522,720	S	*	6/2006	Leblanc	.....	D2/873
D532,185	S	*	11/2006	St-Germain	.....	D2/866



(56)

References Cited

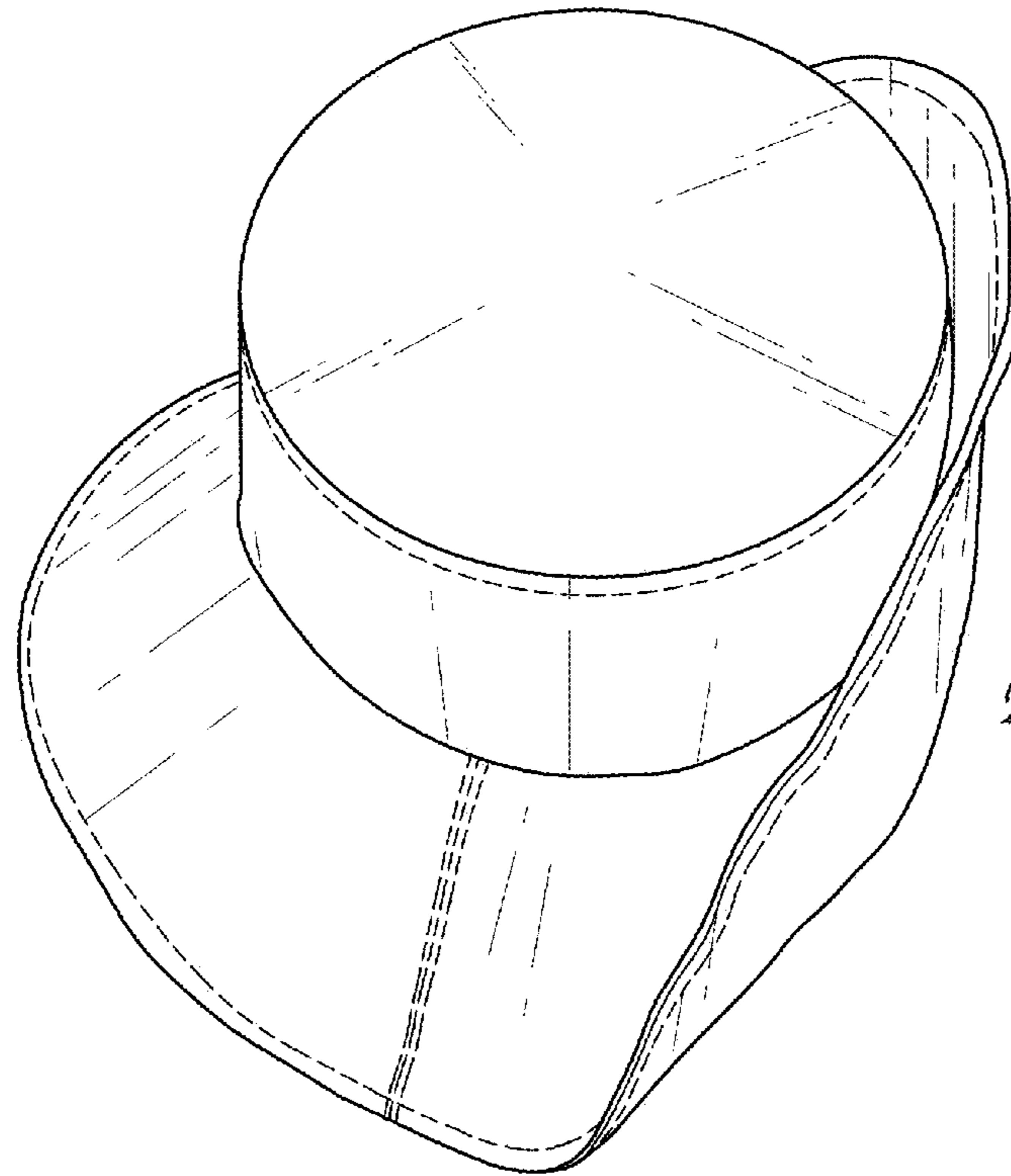
OTHER PUBLICATIONS

U.S. PATENT DOCUMENTS

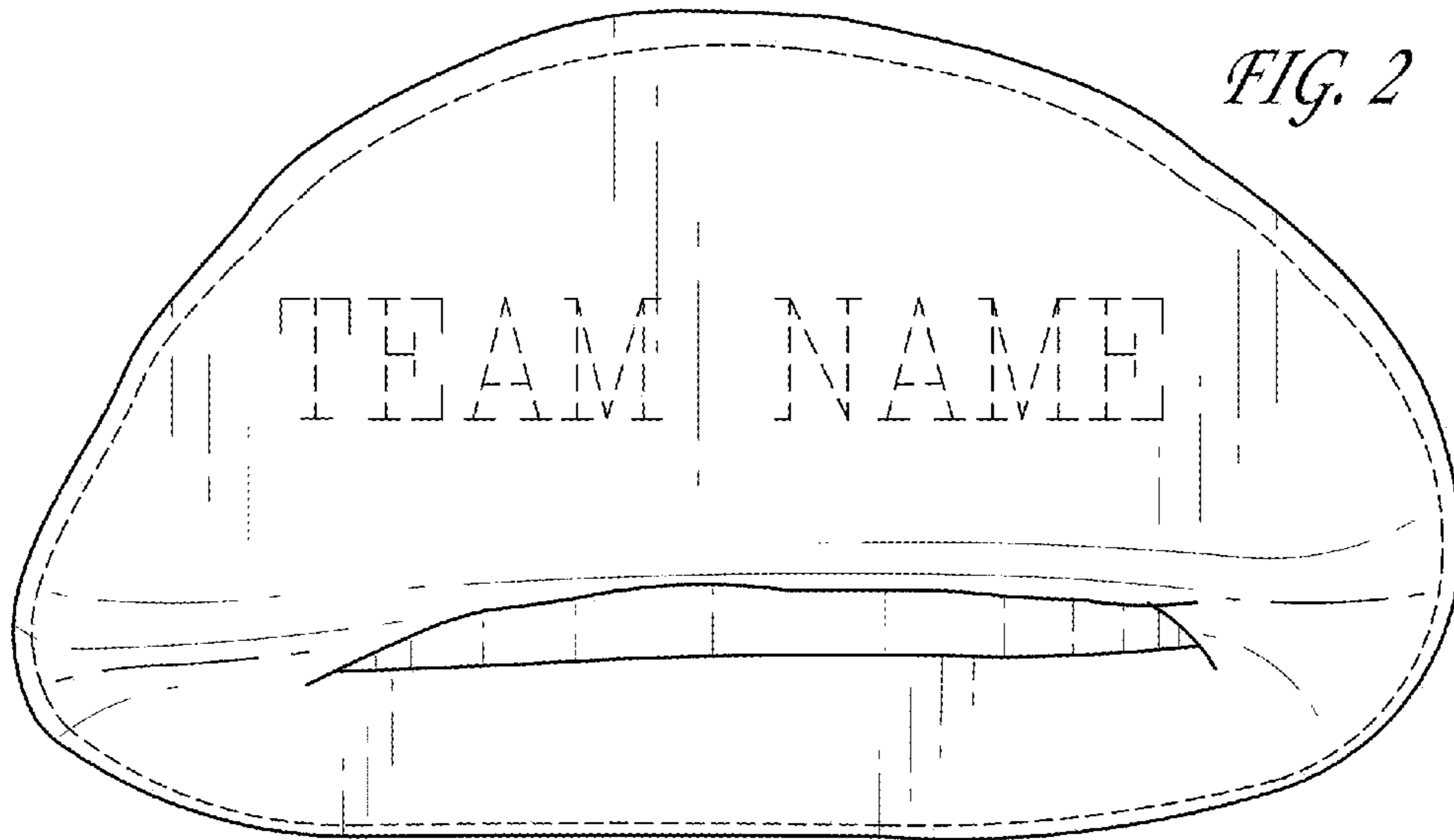
2002/0108165 A1\* 8/2002 Porter et al. .... 2/195.2  
2004/0083535 A1\* 5/2004 Rugg ..... 2/209.11  
2005/0076420 A1\* 4/2005 Hafif ..... 2/209.13  
2005/0155135 A1\* 7/2005 Cho ..... 2/172  
2012/0030860 A1\* 2/2012 Lovitz ..... 2/209.13  
2012/0317699 A1\* 12/2012 Barr ..... 2/209.13  
2013/0160187 A1\* 6/2013 Crutcher ..... 2/181  
2013/0174321 A1\* 7/2013 Bundy et al. .... 2/173.5  
2014/0047617 A1\* 2/2014 Abers ..... 2/209.13  
2014/0053316 A1\* 2/2014 Su ..... 2/172  
2014/0331384 A1\* 11/2014 Terada ..... 2/175.5

Green Woodland Camo Boonie Hat (on-line), dated Jun. 15, 2011. Retrieved from Internet Nov. 19, 2014, URL: <https://web.archive.org/web/20110615032333/http://cusbox.com/Boonie/1429-green-woodland-camo-boonie-hat.html>.\*  
Retro Styled Flip Brim Hat by Veloce hats (on-line), dated Jun. 20, 2011. Retrieved from Internet Nov. 19, 2014, URL: [https://web.archive.org/web/20110620013821/http://www.lasplash.com/publish/style\\_and\\_fashion\\_goodies/retro-styled-flip-brim-hat-by-veloce-hats.php](https://web.archive.org/web/20110620013821/http://www.lasplash.com/publish/style_and_fashion_goodies/retro-styled-flip-brim-hat-by-veloce-hats.php).\*

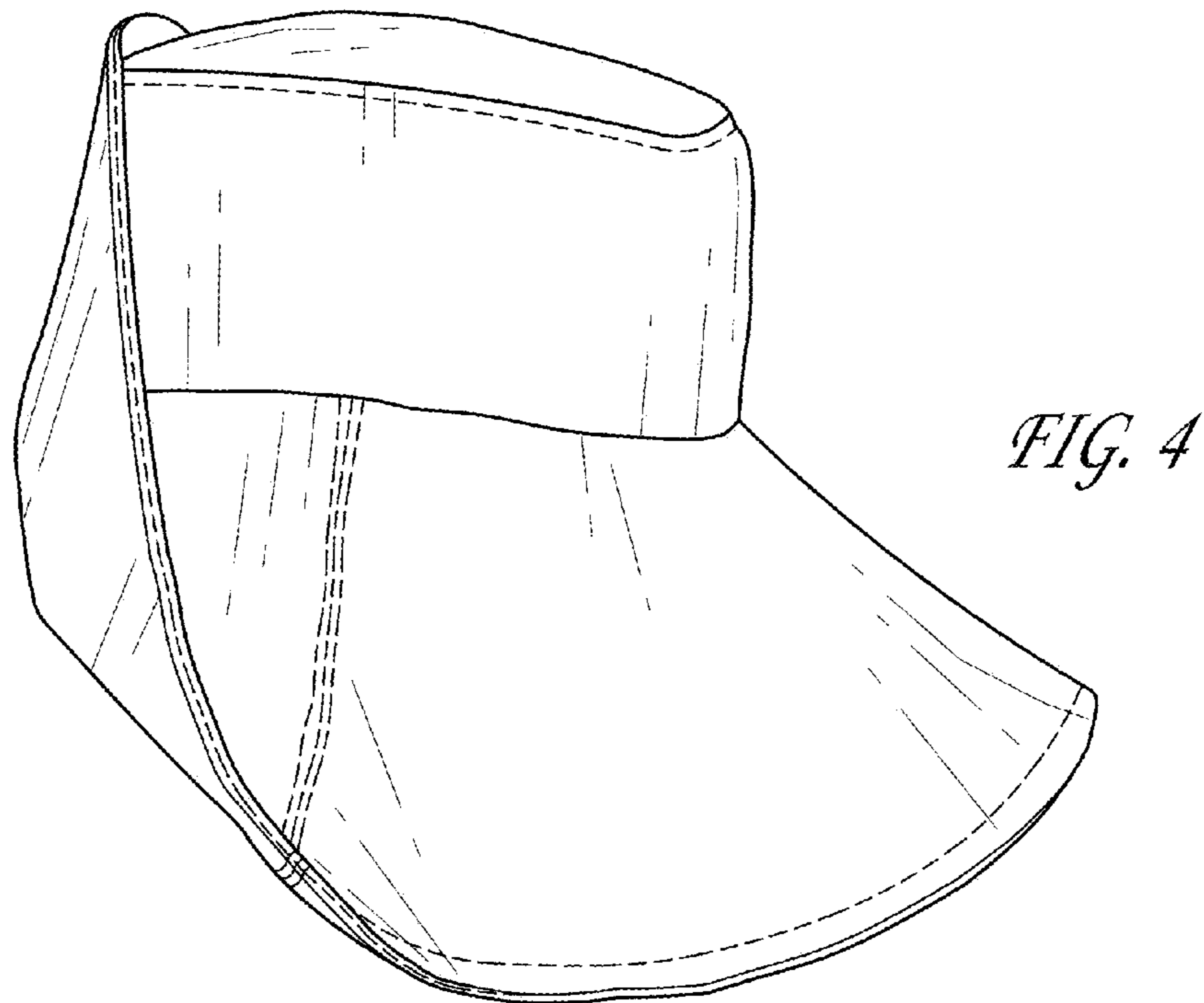
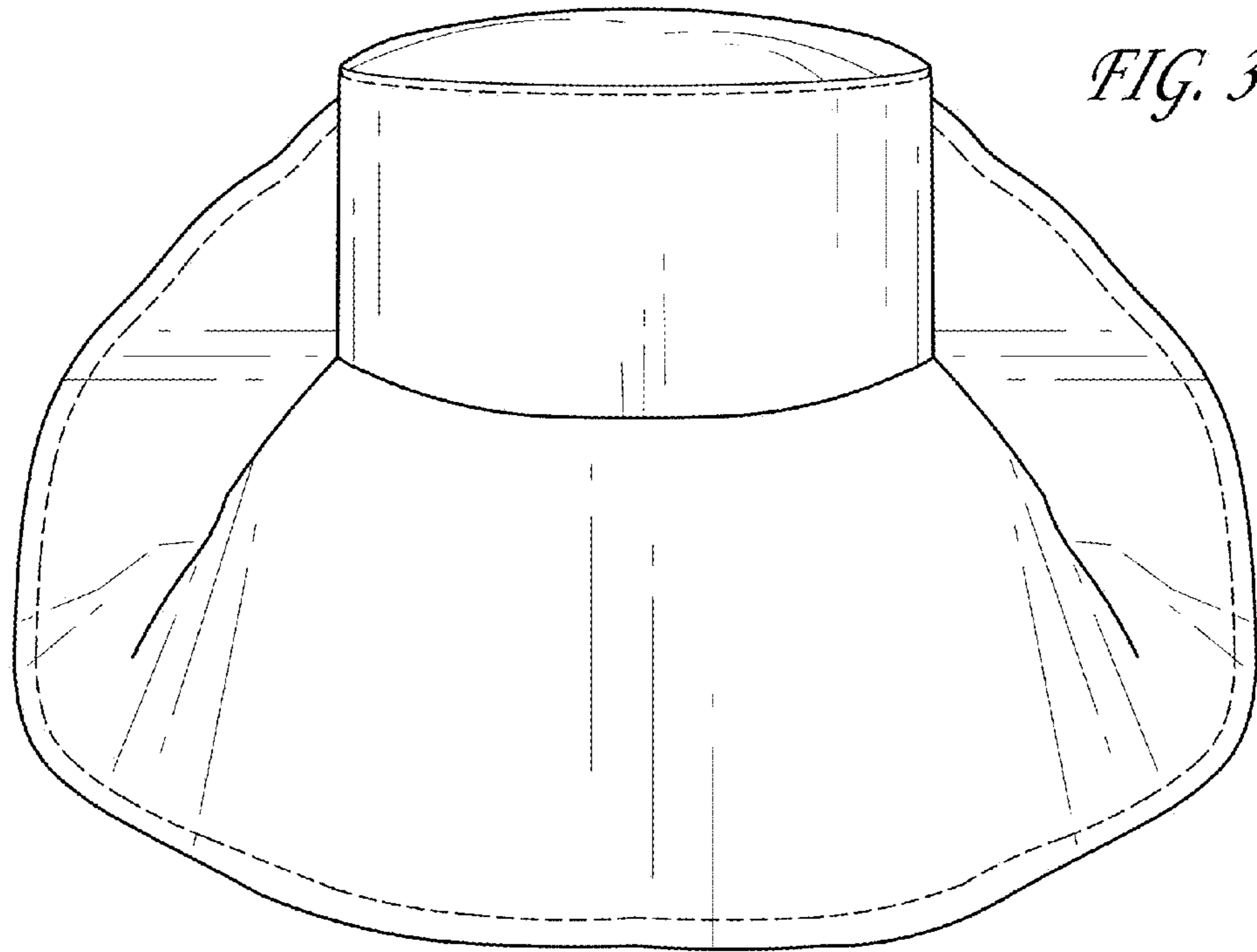
\* cited by examiner

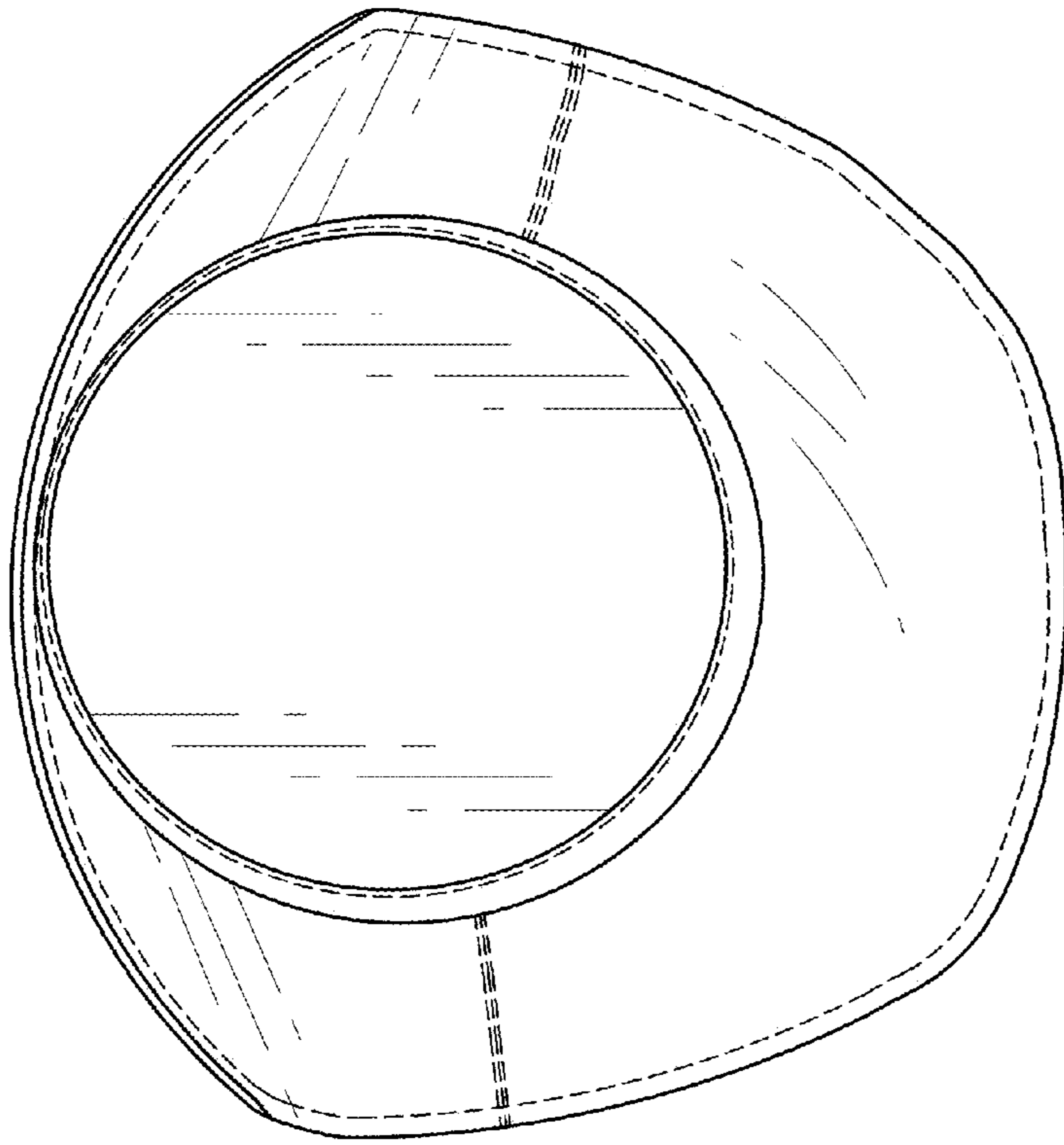


*FIG. 1*

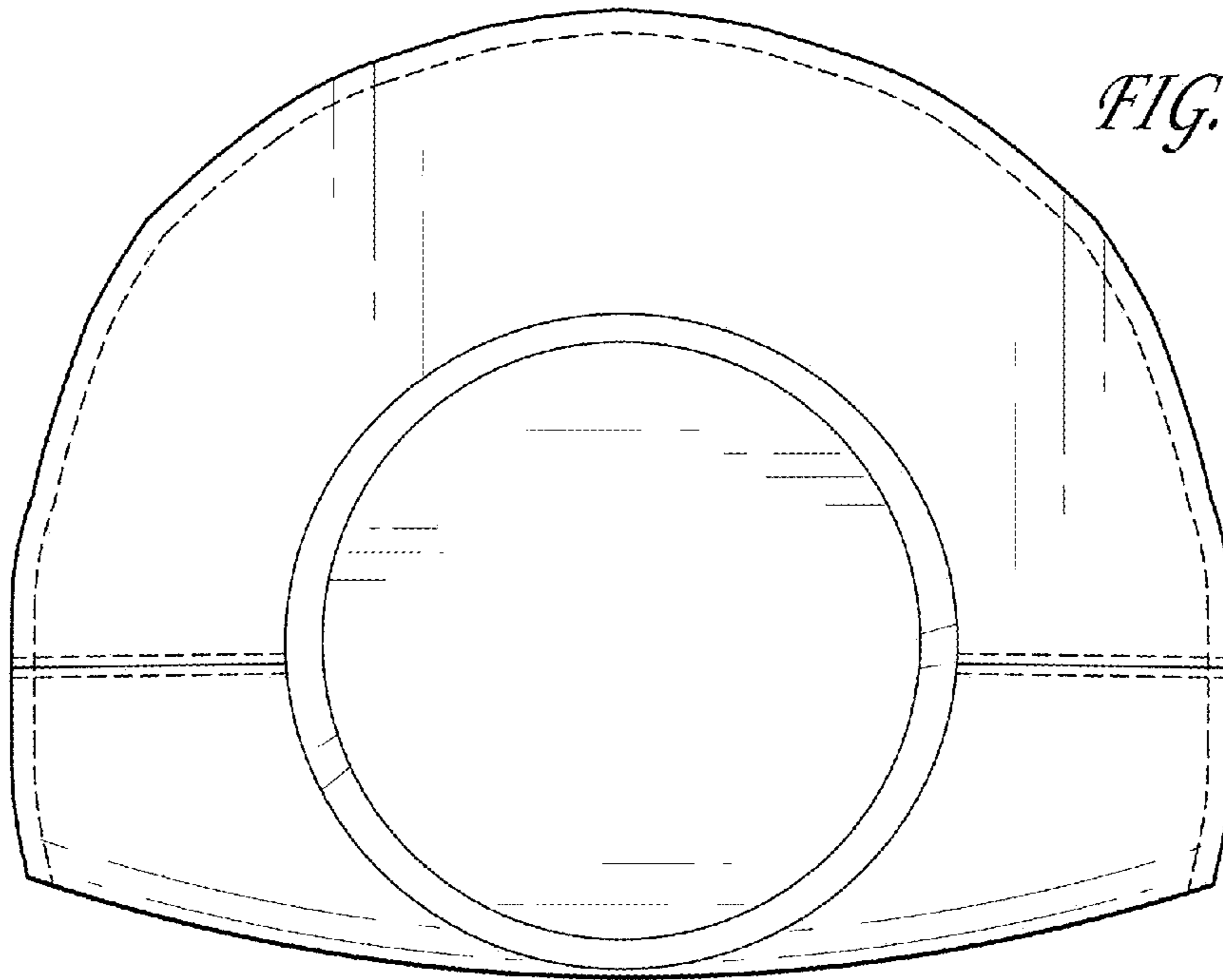


*FIG. 2*





*FIG. 5*



*FIG. 6*