



US00D727596S

(12) **United States Design Patent**  
**Barber**

(10) **Patent No.:** **US D727,596 S**  
(45) **Date of Patent:** **\*\* Apr. 28, 2015**

(54) **BELT LOOP UNIT**

(71) Applicant: **Nick Barber**, Manchester (GB)

(72) Inventor: **Nick Barber**, Manchester (GB)

(73) Assignee: **Americana International Limited**,  
Manchester (GB)

(\*\*) Term: **14 Years**

(21) Appl. No.: **29/443,464**

(22) Filed: **Jan. 17, 2013**

(30) **Foreign Application Priority Data**

Jul. 18, 2012 (EM) ..... 002075705-0002

(51) **LOC (10) Cl.** ..... **02-02**

(52) **U.S. Cl.**  
USPC ..... **D2/853; D2/742**

(58) **Field of Classification Search**  
CPC ..... A41D 27/22; A41D 13/0568; A41F 9/007  
USPC ..... 2/52, 76, 230, 236, 323, 326, 329-331,  
2/336, 338, 271; D2/742, 743, 815, 851,  
D2/853

See application file for complete search history.

(56) **References Cited**

**U.S. PATENT DOCUMENTS**

3,872,518	A *	3/1975	Zaoui	.....	2/236
D292,440	S *	10/1987	Landreth	.....	D2/853
D300,682	S *	4/1989	Ciavatta	.....	D2/853
D534,709	S *	1/2007	Dipietro	.....	D2/742
D610,329	S *	2/2010	Prechel	.....	D2/742
D648,922	S *	11/2011	Evans et al.	.....	D2/742
D649,746	S *	12/2011	Girbaud et al.	.....	D2/742
D664,739	S *	8/2012	Gibson	.....	D2/853
D675,809	S *	2/2013	Silva	.....	D2/742
D680,299	S *	4/2013	Scott	.....	D2/742
D710,068	S *	8/2014	Garcia	.....	D2/742
2013/0061365	A1 *	3/2013	Arceo	.....	2/24

**FOREIGN PATENT DOCUMENTS**

CA 149411 \* 6/2014  
GB 1338706 A \* 11/1973 ..... A41F 9/007

**OTHER PUBLICATIONS**

Play.com. <URL: <http://www.play.com/Clothing/T-Shirts/4-13605023/Bench-Men-Corrupt-Jeans/Product.html>>. Jan. 23, 2011.  
Bench jeans with double belt loops.\*  
Americana International Limited—uneven zippers on zip-up jacket.

\* cited by examiner

*Primary Examiner* — Bridget L Eland

*Assistant Examiner* — Lauren McVey

(74) *Attorney, Agent, or Firm* — Fross Zelnick Lehrman & Zissu, P.C.; Lawrence E. Apolzon, Esq.

(57) **CLAIM**

The ornamental design for a belt loop unit, as shown and described.

**DESCRIPTION**

FIG. 1 is a perspective view of a belt loop unit of the present invention, shown in an environment;

FIG. 2 is a front view thereof;

FIG. 3 is a left side view thereof;

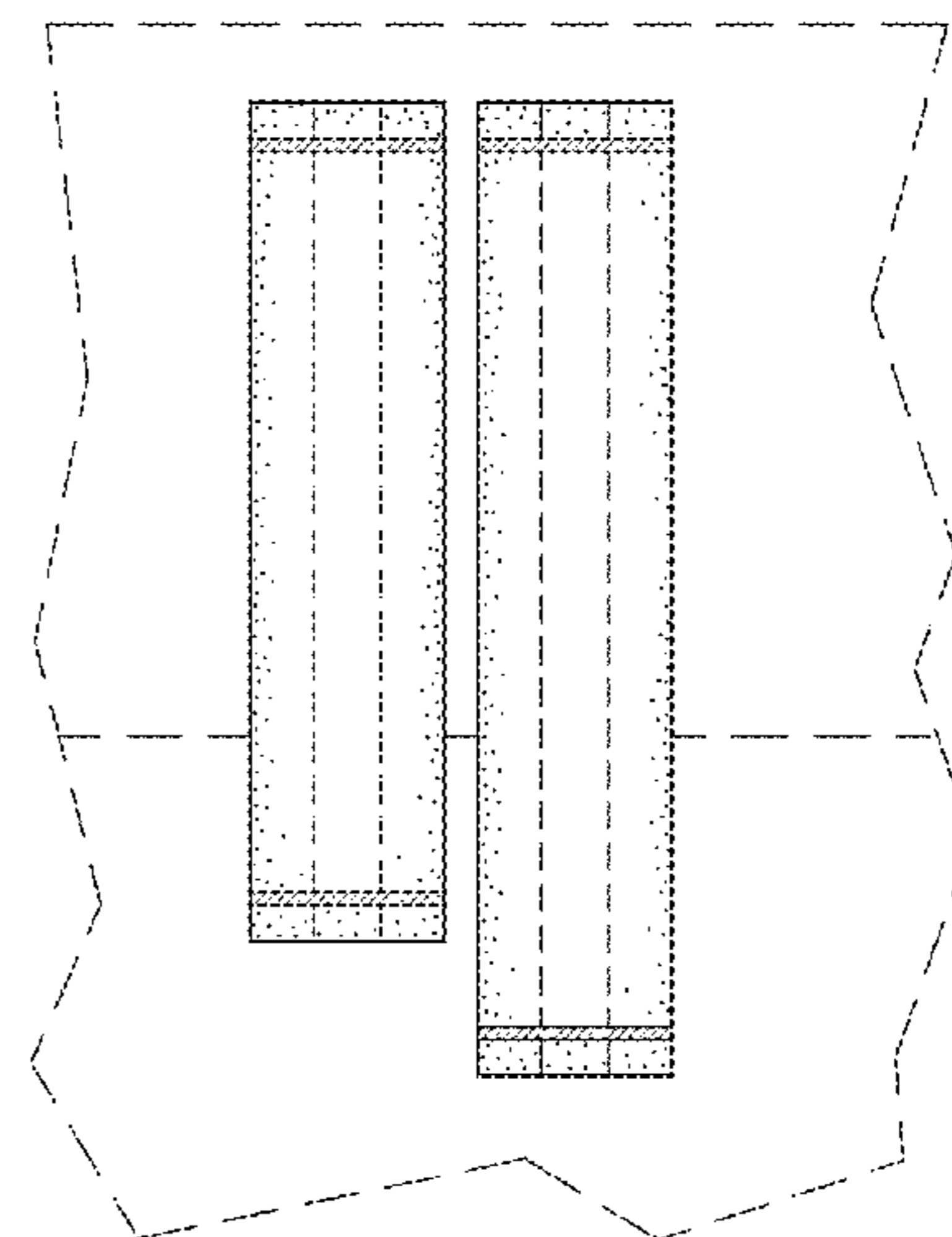
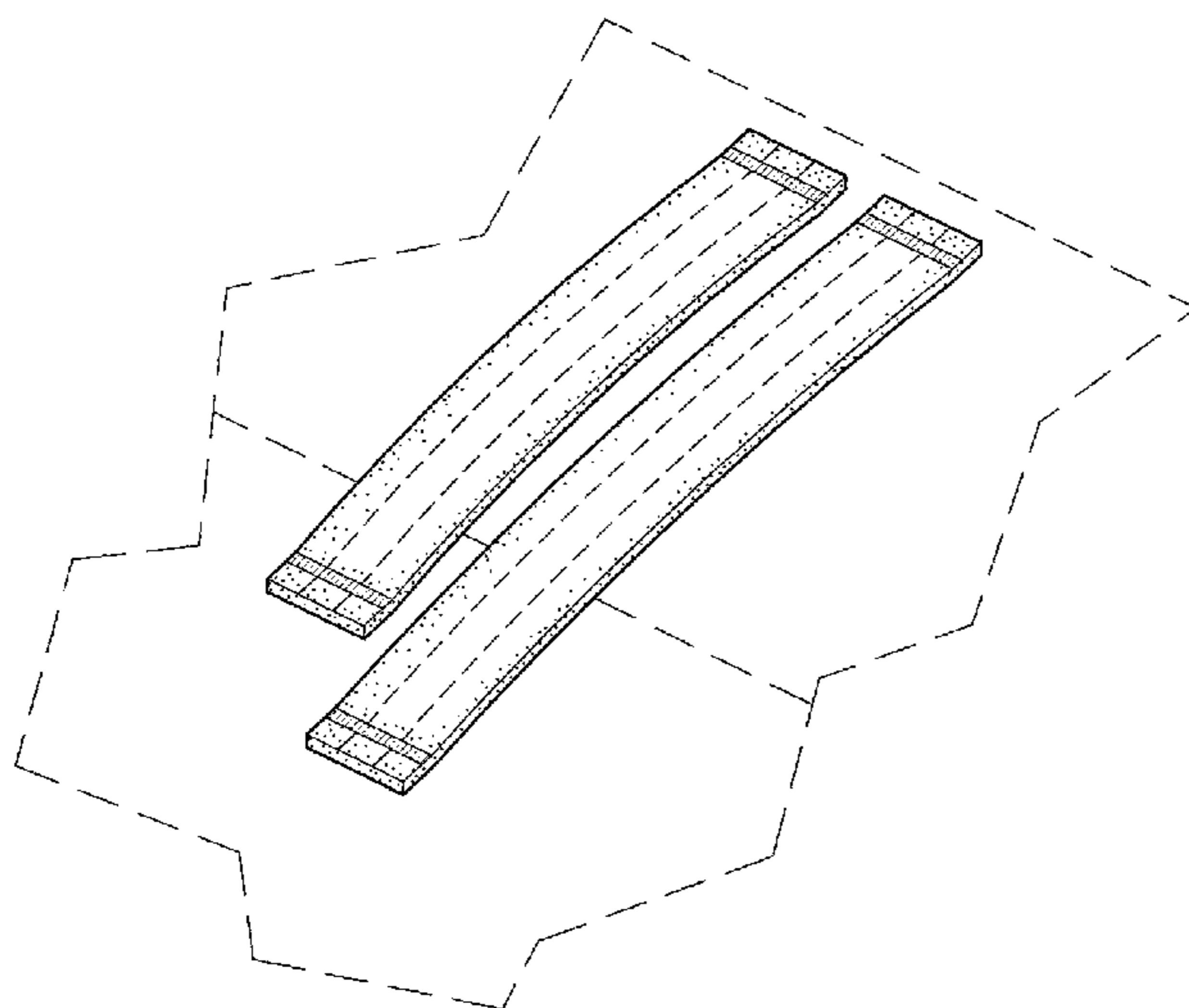
FIG. 4 is a right side view thereof; and,

FIG. 5 is a top view thereof, the bottom view being a mirror image thereof.

The rear view forms no part of the claimed design.

The smaller broken lines shown on the surface of the belt loop unit in FIGS. 1-5 represent stitching and are part of the claimed design. The larger broken lines shown in FIGS. 1-6 represent environmental structure only and form no part of the claimed design.

**1 Claim, 2 Drawing Sheets**



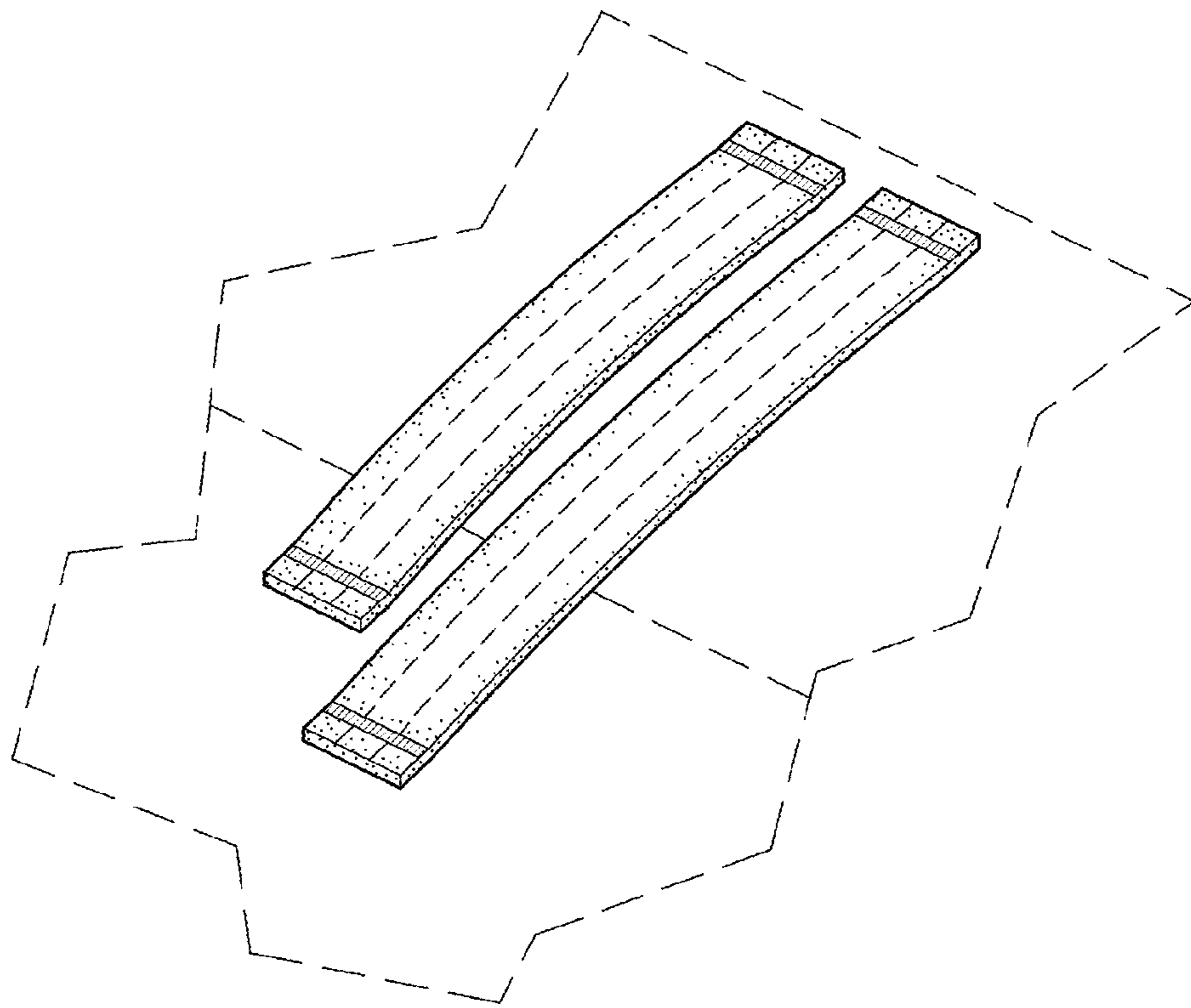


FIG. 1

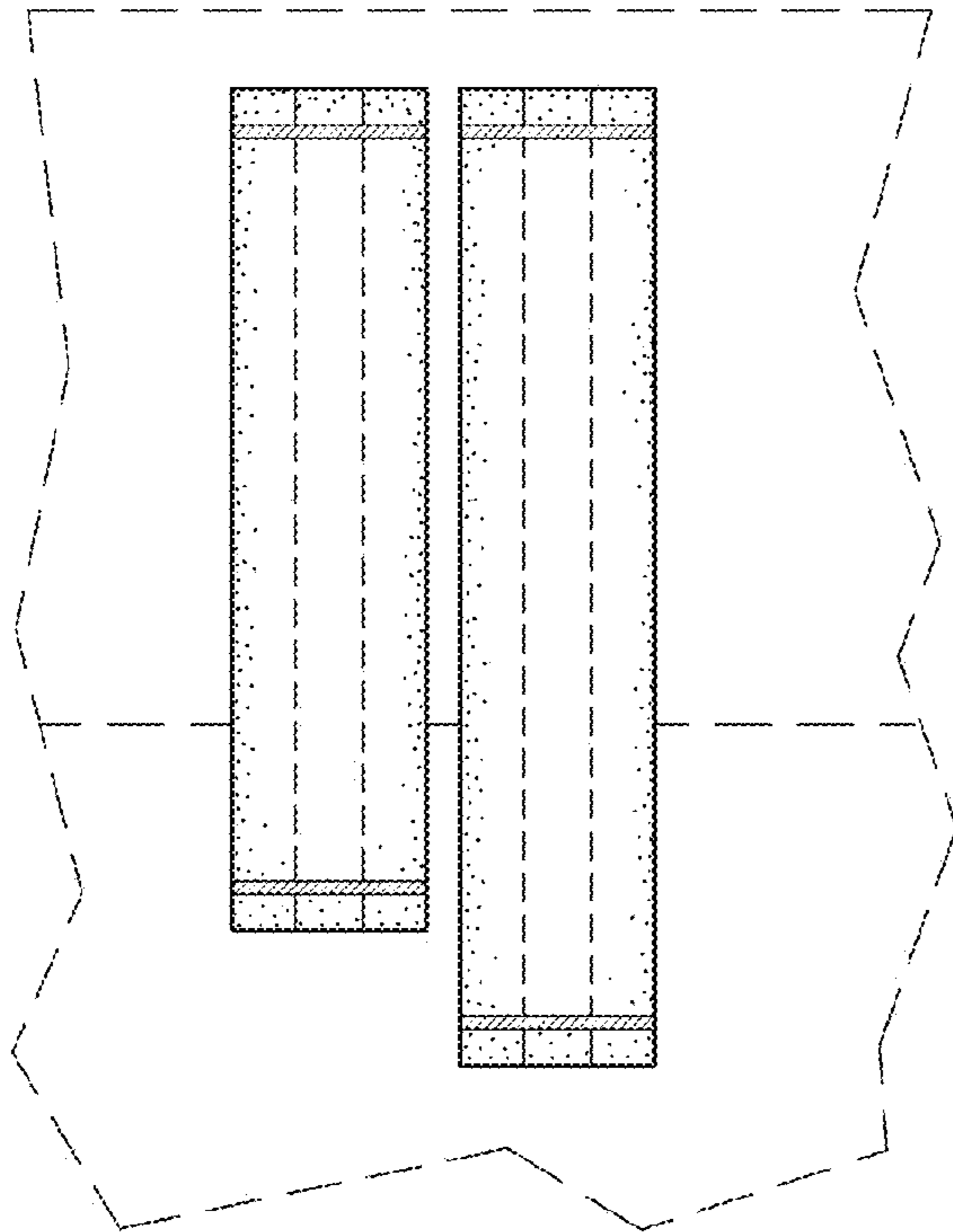


FIG. 2

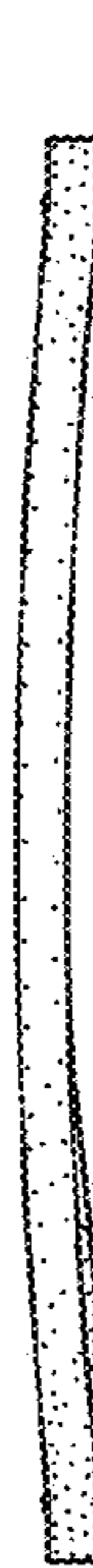


FIG. 3



FIG. 4



FIG. 5