



US00D727595S

(12) **United States Design Patent**
Lawson et al.

(10) **Patent No.:** **US D727,595 S**
(45) **Date of Patent:** **** Apr. 28, 2015**

(54) **EASY WEAR MEDICAL APPAREL SET**

(71) Applicants: **Louise Lawson**, Shreveport, LA (US);
Denise Knight, Shreveport, LA (US)

(72) Inventors: **Louise Lawson**, Shreveport, LA (US);
Denise Knight, Shreveport, LA (US)

(**) Term: **14 Years**

(21) Appl. No.: **29/441,298**

(22) Filed: **Jan. 3, 2013**

(51) **LOC (10) Cl.** **02-02**

(52) **U.S. Cl.**
USPC **D2/743**

(58) **Field of Classification Search**
CPC A41D 1/06; A41D 15/04; A41D 27/20;
A41D 2400/44; A41D 2400/70; A41D
2600/108
USPC D2/712, 715, 717-718, 731, 738, 742,
D2/743, 748, 776, 841, 857, 862, 901,
D2/999; 2/22, 23, 71, 72, 79, 87, 94, 95,
2/227, 228, 238, 242, 247, 900, 912, 911
See application file for complete search history.

(56) **References Cited**

U.S. PATENT DOCUMENTS

1,766,272	A *	6/1930	Vallier	2/114
4,570,268	A	2/1986	Freeman		
4,914,756	A	4/1990	Grassick		
5,097,535	A	3/1992	Dye et al.		
5,315,716	A	5/1994	Baum		
5,392,466	A	2/1995	Chou et al.		
5,553,323	A	9/1996	Chou et al.		
5,611,087	A	3/1997	Adkins		
5,802,611	A	9/1998	McKenzie et al.		
5,991,923	A *	11/1999	Maria	2/83

(Continued)

FOREIGN PATENT DOCUMENTS

EP 1 618 805 A1 * 1/2006 A41D 13/12
EP 2 716 184 A1 * 4/2014 A47G 25/90

(Continued)

OTHER PUBLICATIONS

Franish. <URL: <http://franish.blogspot.com/2014/11/november-budget.html>>. Dec. 31, 2014. Sweater with side zippers.*

(Continued)

Primary Examiner — Bridget L Eland

Assistant Examiner — Lauren McVey

(74) *Attorney, Agent, or Firm* — R. Keith Harrison

(57) **CLAIM**

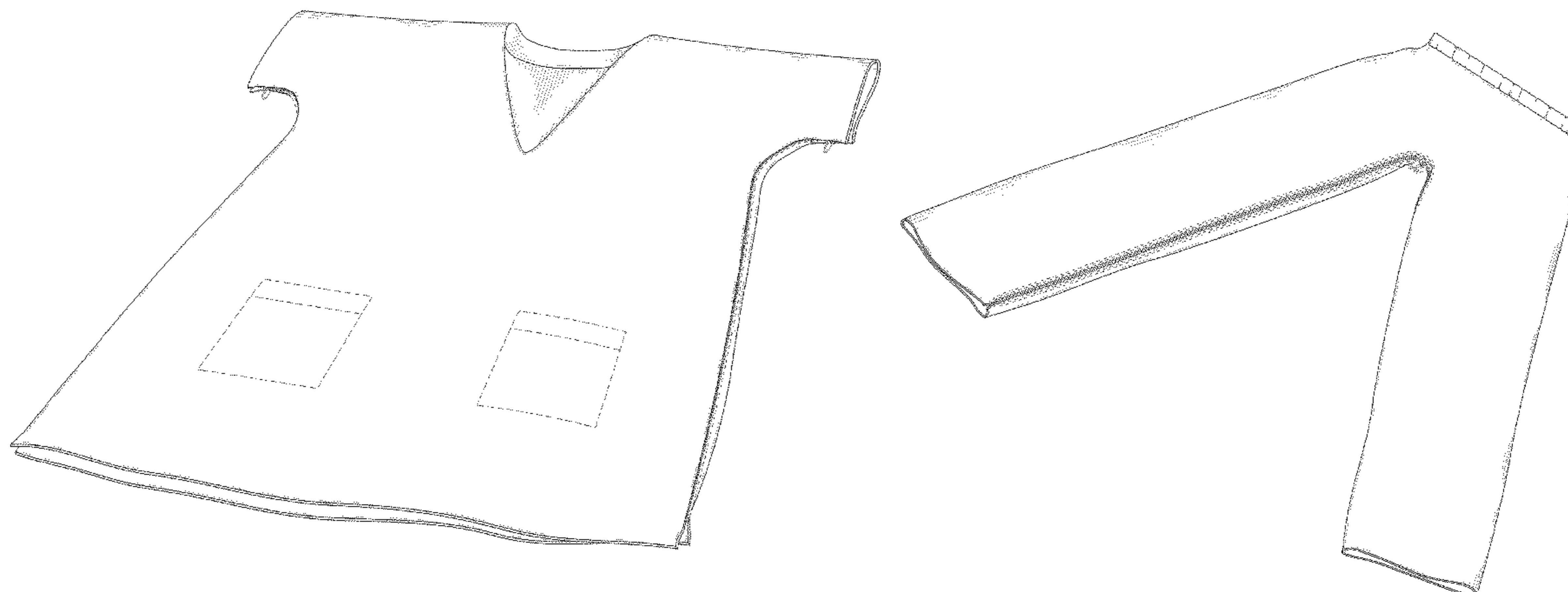
The ornamental design for an easy wear medical apparel set, as shown and described.

DESCRIPTION

FIG. 1 is a front perspective view of a shirt of the easy wear medical apparel set, the pants component removed for clarity; FIG. 2 is a front view thereof; FIG. 3 is a rear view thereof; FIG. 4 is a left side view thereof; FIG. 5 is a right side view thereof; FIG. 6 is a top view thereof; FIG. 7 is a bottom view thereof; FIG. 8 is a front perspective view of a pair of pants of the easy wear medical apparel set, the shirt component removed for clarity; FIG. 9 is a front view thereof; FIG. 10 is a rear view thereof; FIG. 11 is a left side view thereof; FIG. 12 is a right side view thereof; FIG. 13 is a top view thereof; and, FIG. 14 is a bottom view thereof.

The broken lines shown in the views are included for the purpose of illustrating portions of the easy wear medical apparel set that form no part of the claimed design.

1 Claim, 9 Drawing Sheets



(56)

References Cited

U.S. PATENT DOCUMENTS

6,216,271 B1 4/2001 Chen
D490,214 S * 5/2004 Murray-Benoit et al. D2/847
D512,550 S * 12/2005 Dureus D2/743
D548,929 S * 8/2007 Dureus D2/743
D574,126 S * 8/2008 McCray D2/840
D605,833 S * 12/2009 Pippin et al. D2/742
D612,126 S * 3/2010 Milgrom D2/720
D632,460 S * 2/2011 Kinder D2/717
D640,041 S * 6/2011 Flora et al. D2/742
8,214,927 B1 7/2012 Jondahl et al.
2002/0032921 A1 3/2002 Thompson et al.

2002/0040496 A1* 4/2002 Blaire 2/227
2005/0193460 A1* 9/2005 Moore 2/53
2006/0143779 A1* 7/2006 Lee 2/115

FOREIGN PATENT DOCUMENTS

FR 2859076 * 3/2005 A41B 13/08
JP 09324307 A * 12/1997 A41D 10/00

OTHER PUBLICATIONS

Medical Rehab Wear. <URL: <http://store.medicalrehabwearinc.com/t-shirt-style-5>>. Visited Dec. 31, 2014. Shirt with side snaps.*

* cited by examiner

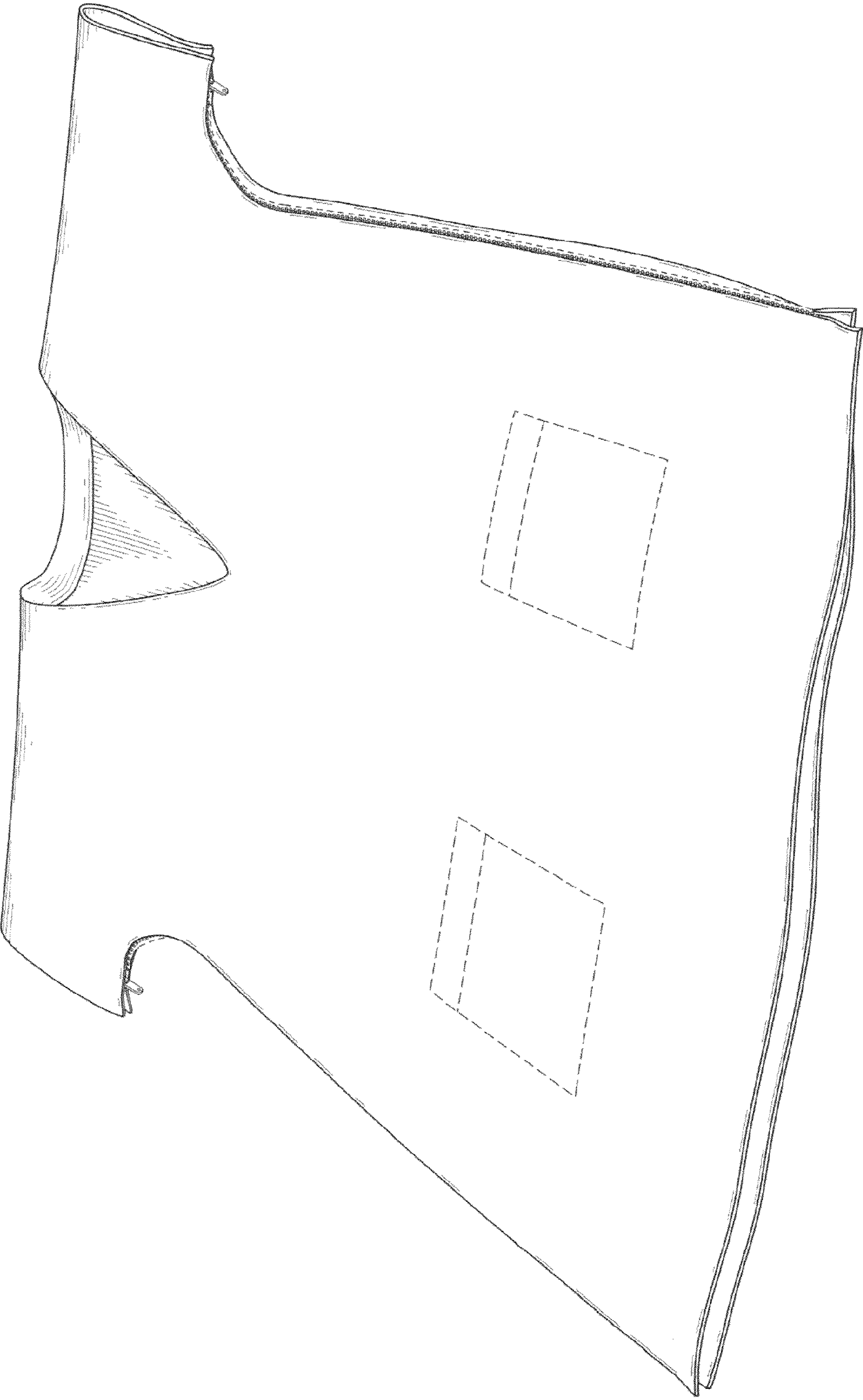


FIG. 1

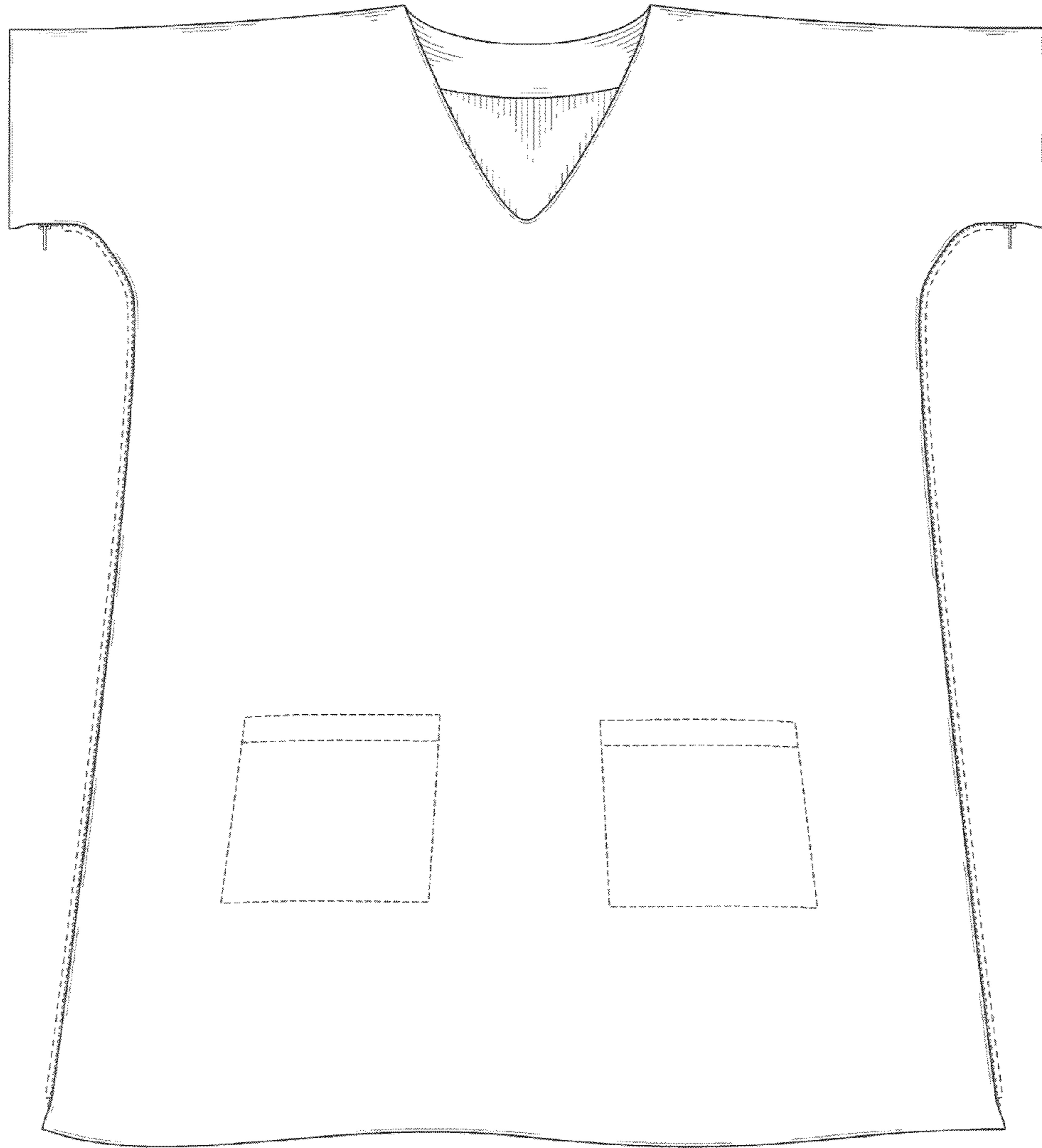


FIG. 2

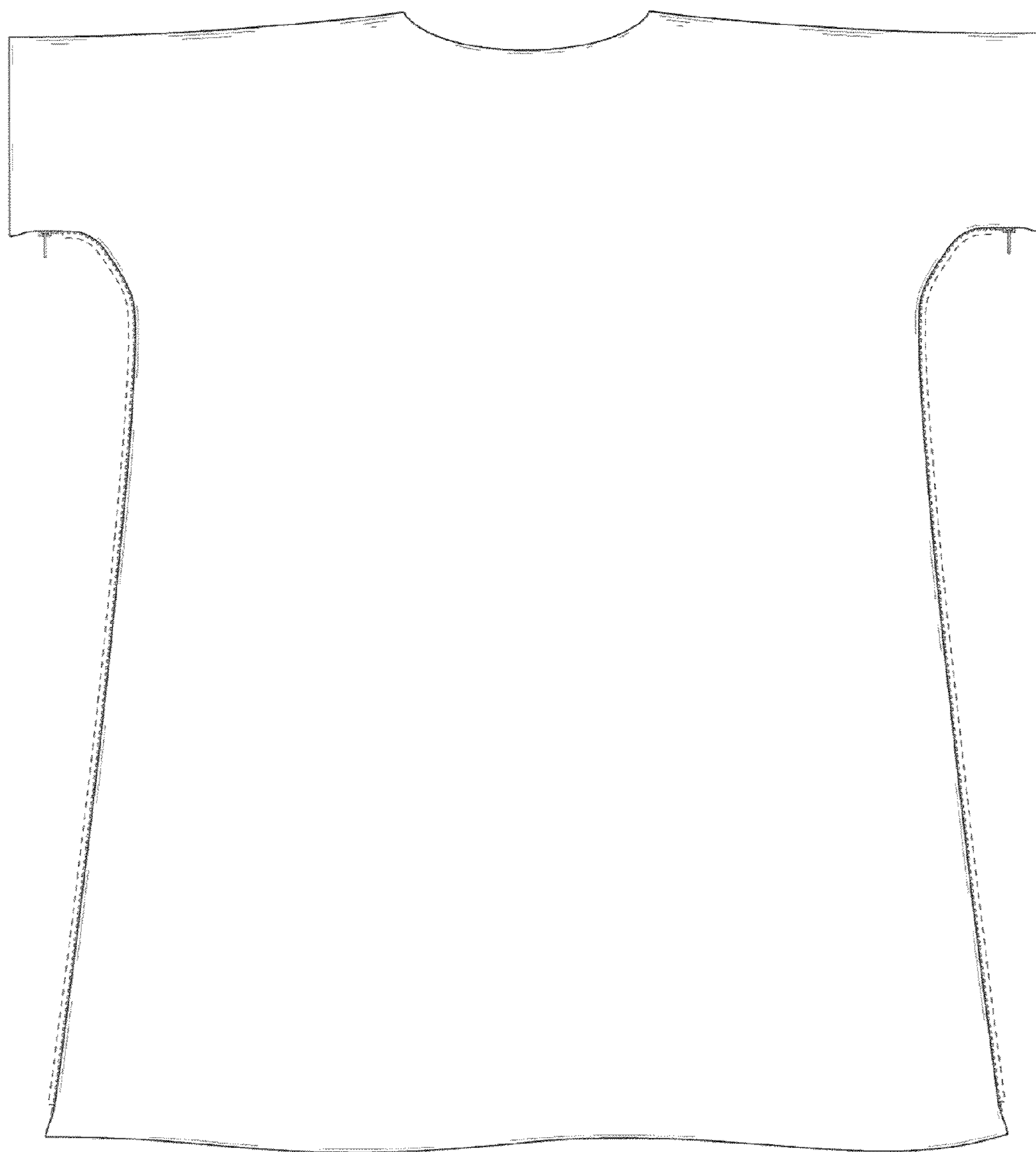


FIG. 3

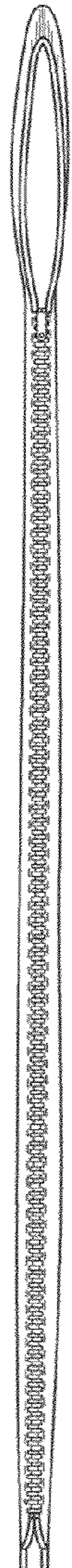


FIG. 4

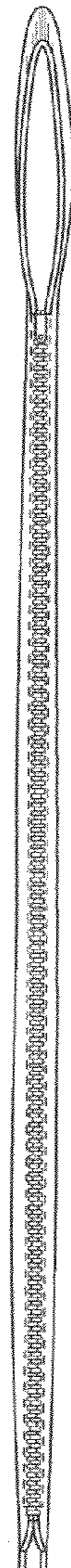


FIG. 5



FIG. 6



FIG. 7

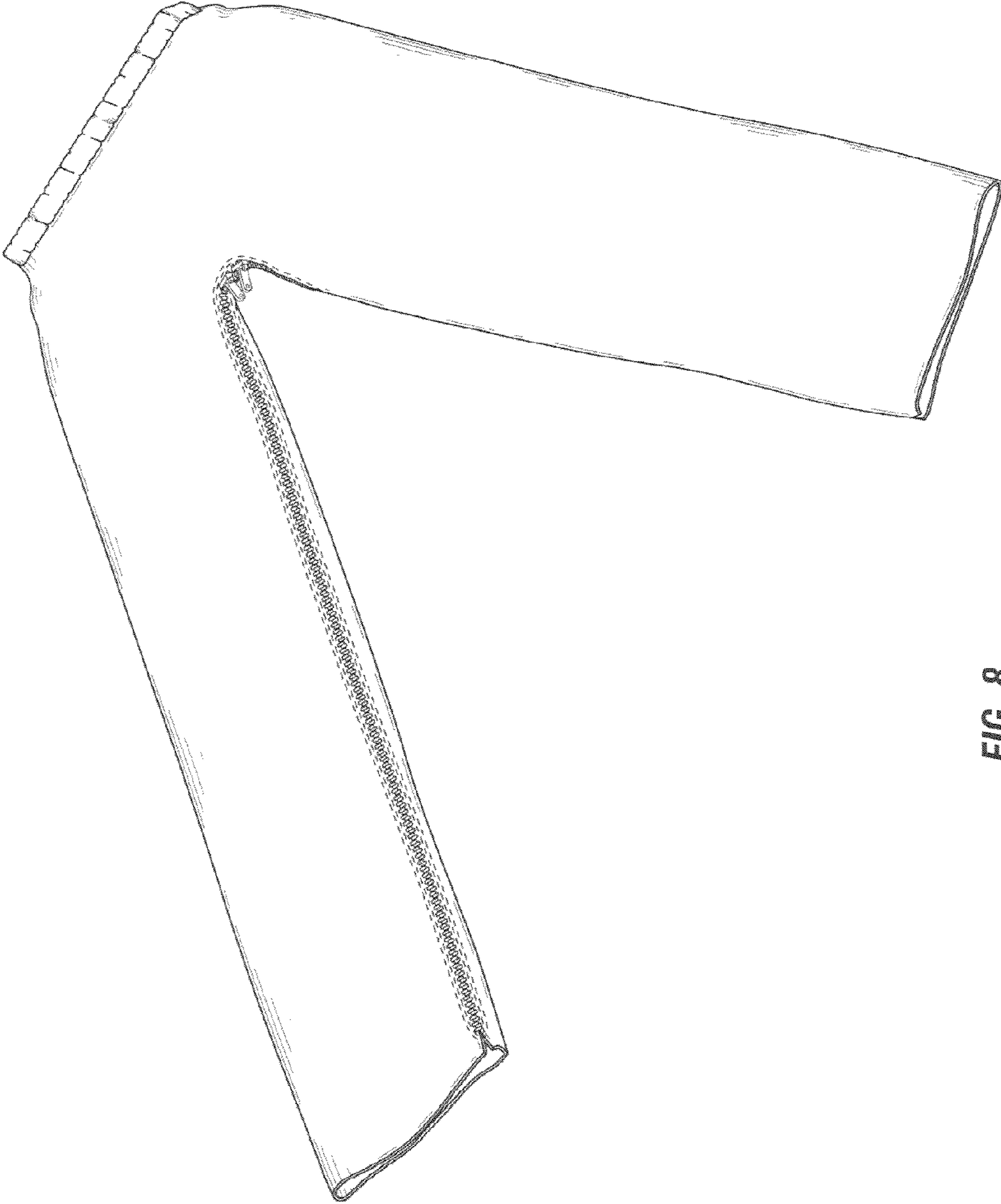


FIG. 8

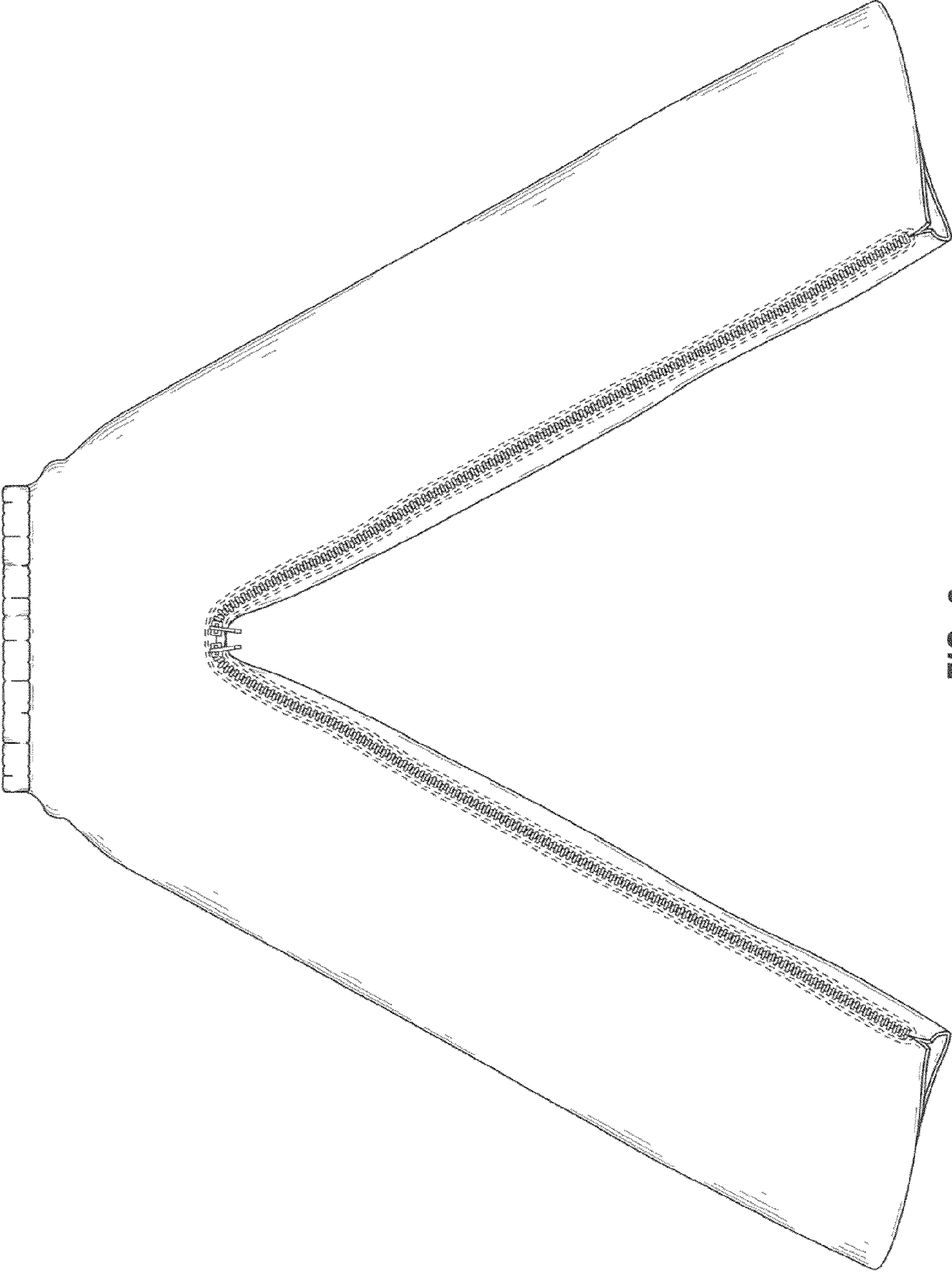


FIG. 9

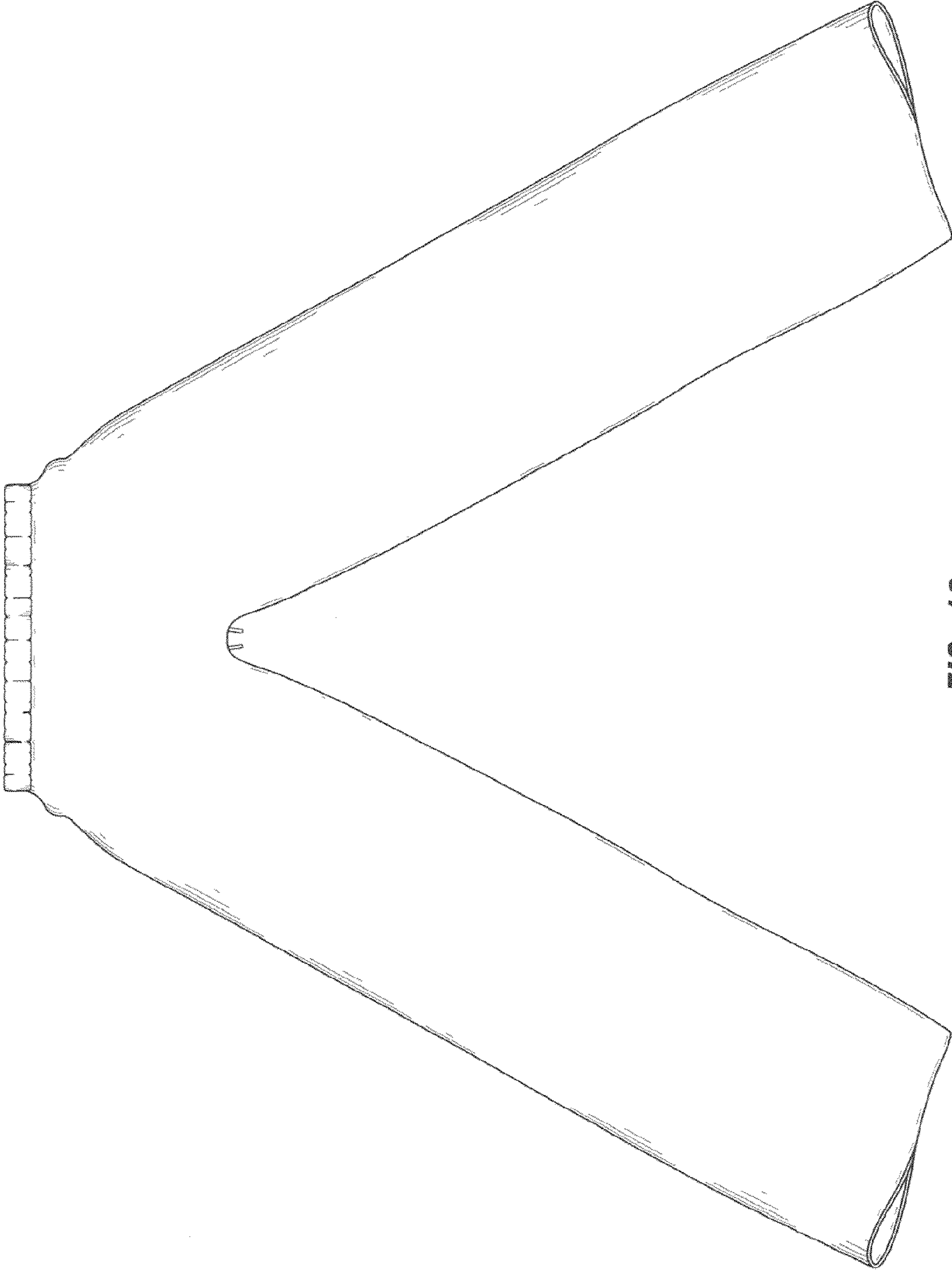


FIG. 10



FIG. 11

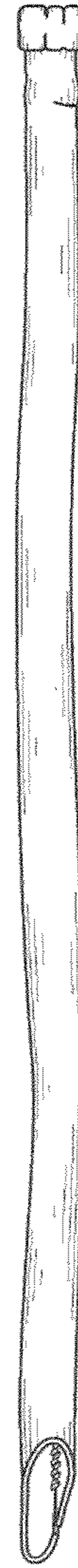


FIG. 12

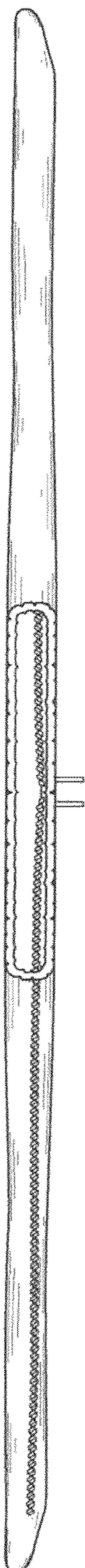


FIG. 13

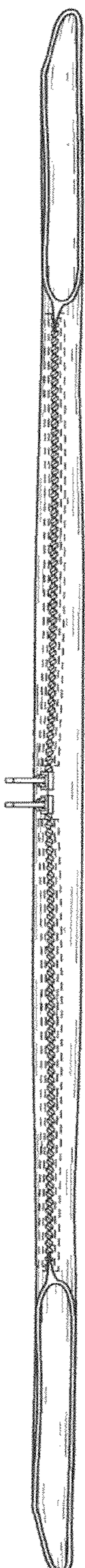


FIG. 14