



US00D727594S

(12) **United States Design Patent**
Waldman

(10) **Patent No.:** **US D727,594 S**
(45) **Date of Patent:** **** Apr. 28, 2015**

(54) **SWIMSUIT**

(71) Applicant: **Global Trademarks, Inc.**, Stockerton, PA (US)

(72) Inventor: **Mark Waldman**, Annandale, NJ (US)

(73) Assignee: **Global Trademarks, Inc.**

(**) Term: **14 Years**

(21) Appl. No.: **29/498,721**

(22) Filed: **Aug. 7, 2014**

(51) **LOC (10) Cl.** **02-02**

(52) **U.S. Cl.**
USPC **D2/731**

(58) **Field of Classification Search**
USPC **D2/731-733, 735; 2/67**
See application file for complete search history.

D693,991 S * 11/2013 Gillespie D2/840
D701,675 S 4/2014 Waldman
D706,019 S 6/2014 Waldman
D717,523 S * 11/2014 Waldman D2/731

OTHER PUBLICATIONS

Polyvore. http://www.polyvore.com/la_blanca_renew_ruched_swimsuit/thing?id=45929857. Date Unknown: Viewed Jan. 2015. "La Blanca Renew Ruched Swimsuit".*

* cited by examiner

Primary Examiner — Rashida Johnson

(74) *Attorney, Agent, or Firm* — Belles Katz LLC

(57) **CLAIM**

I claim the ornamental design for a swimsuit, as shown and described.

DESCRIPTION

FIG. 1 is a front view of a swimsuit on a model showing my new design according to a first embodiment of the present invention.

FIG. 2 is a rear view of the swimsuit of FIG. 1.

FIG. 3 is a right-side view of the swimsuit of FIG. 1.

FIG. 4 is a left-side view of the swimsuit of FIG. 1.

FIG. 5 is a front view of a swimsuit on a model showing my new design according to a second embodiment of the present invention.

FIG. 6 is a rear view of the swimsuit of FIG. 5.

FIG. 7 is a right-side view of the swimsuit of FIG. 5; and,

FIG. 8 is a left-side view of the swimsuit of FIG. 5.

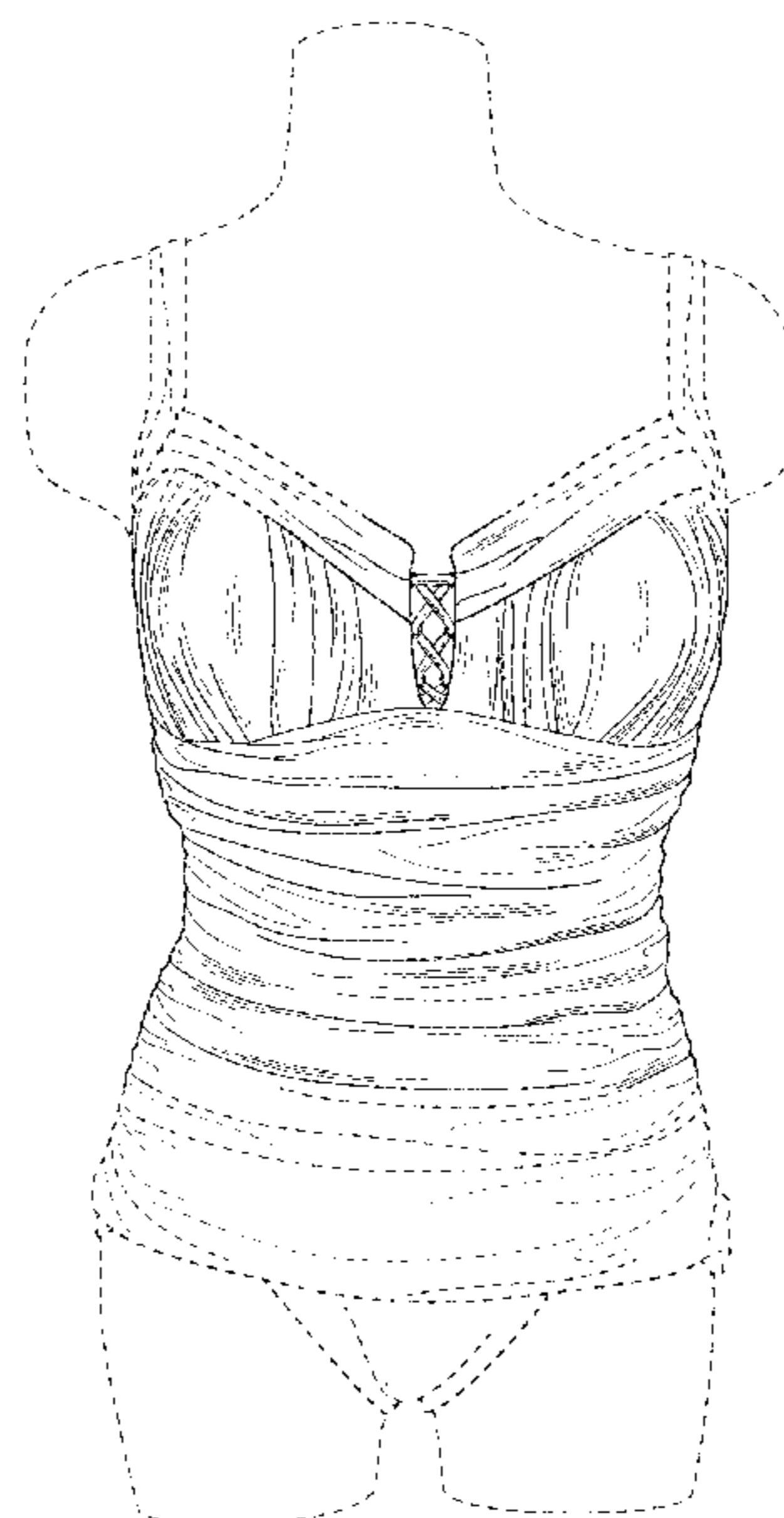
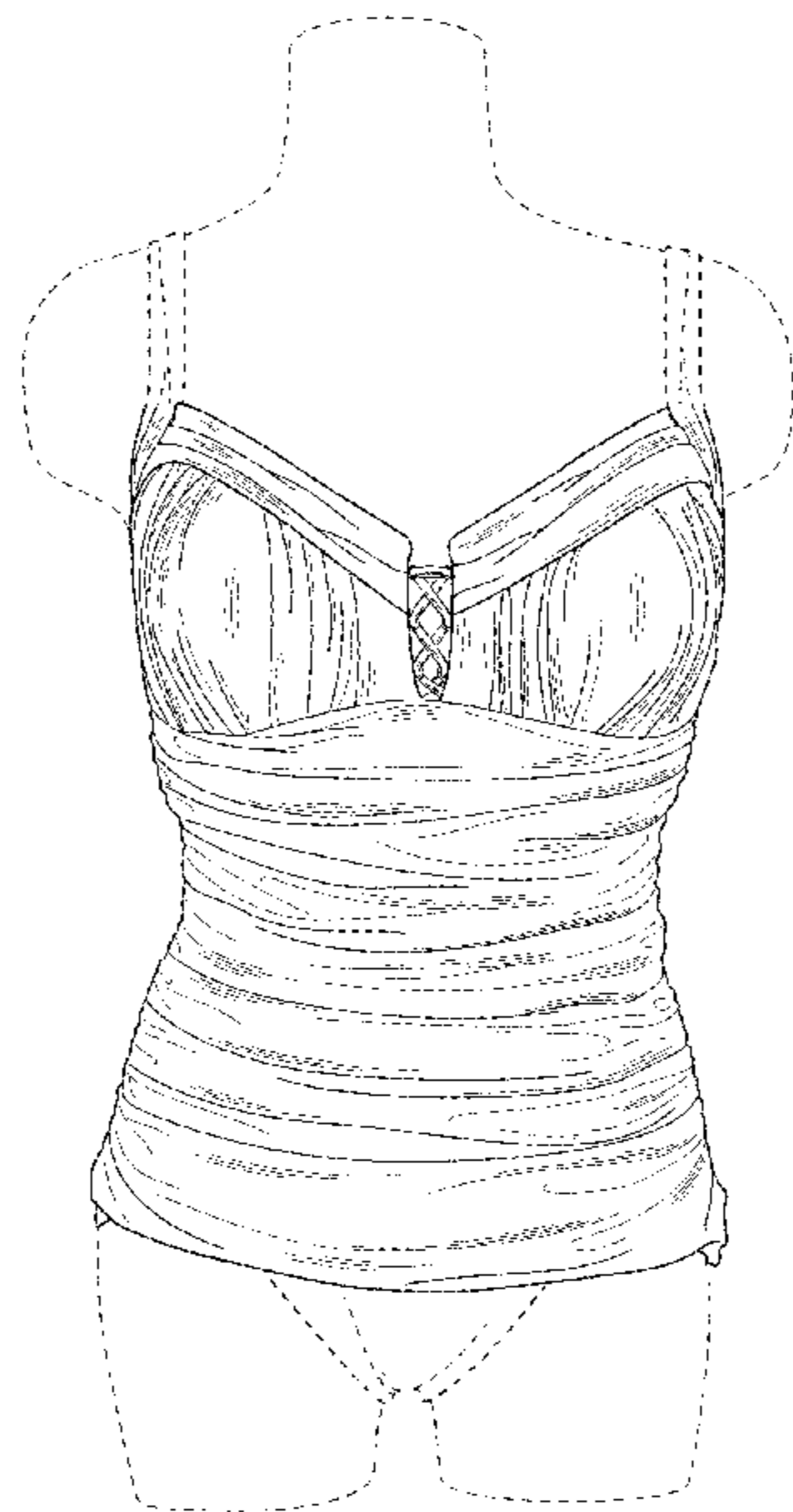
The broken lines formed by linear segments of equal length in FIGS. 1-8 are provided for environment only and form no part of the claimed design.

1 Claim, 8 Drawing Sheets

(56) **References Cited**

U.S. PATENT DOCUMENTS

1,828,310	A *	10/1931	Bergh	2/67
2,583,865	A *	1/1952	McIlhinney	450/22
2,682,660	A *	7/1954	Wanish	450/10
D174,115	S *	3/1955	Dior	D2/703
2,739,312	A *	3/1956	Morano	450/8
D179,583	S *	1/1957	Stenbeck	D2/735
3,932,896	A	1/1976	Dottinger	
D532,184	S *	11/2006	Mone et al.	D2/731
D600,880	S	9/2009	Waldman	
D613,036	S	4/2010	Waldman	
D613,477	S	4/2010	Waldman	
D620,229	S	7/2010	Waldman	
D634,510	S	3/2011	Waldman	
D635,740	S	4/2011	Waldman	
D641,958	S	7/2011	Waldman	
D679,071	S	4/2013	Waldman	
D687,212	S	8/2013	Waldman et al.	
D693,542	S	11/2013	Waldman	



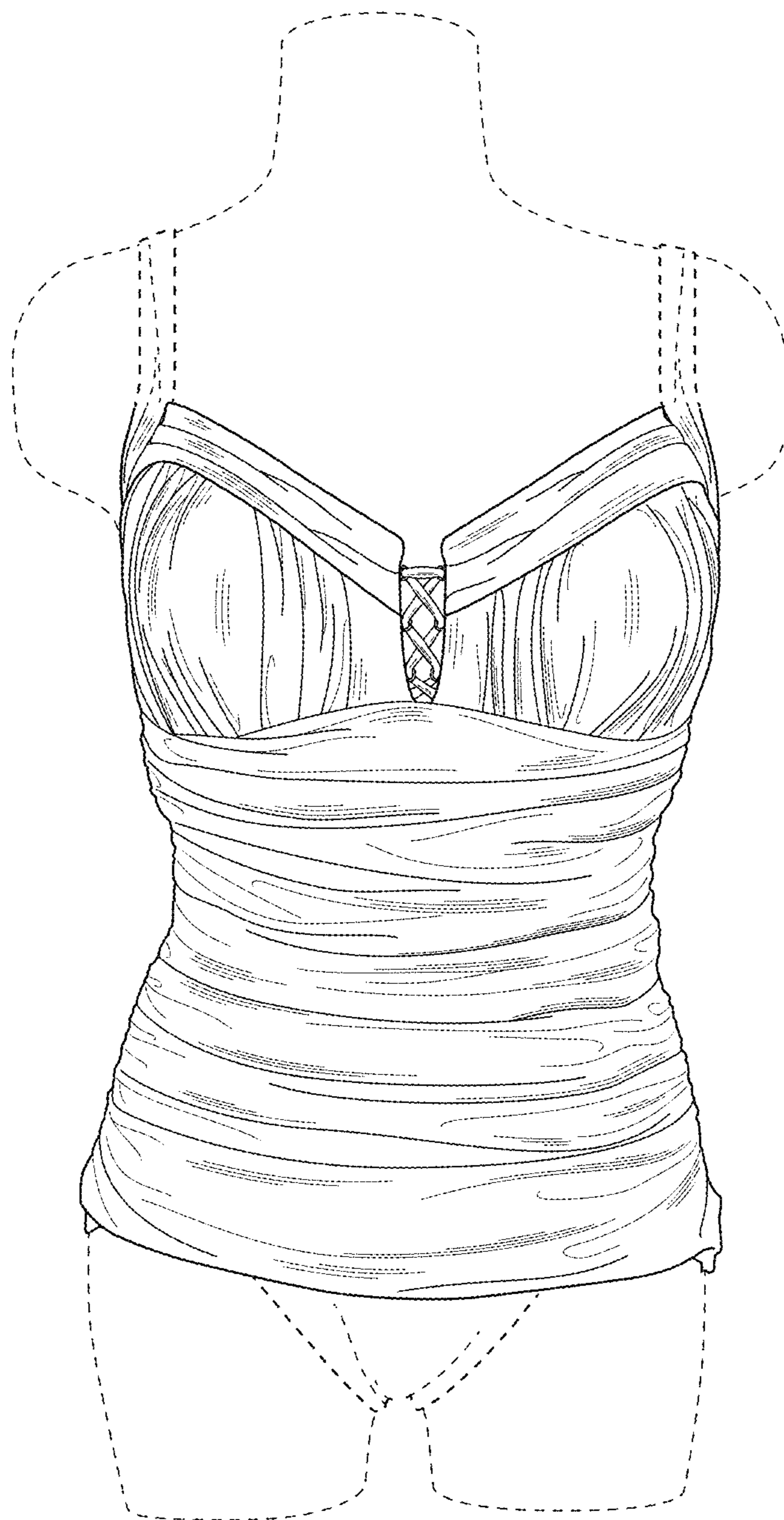


FIG. 1

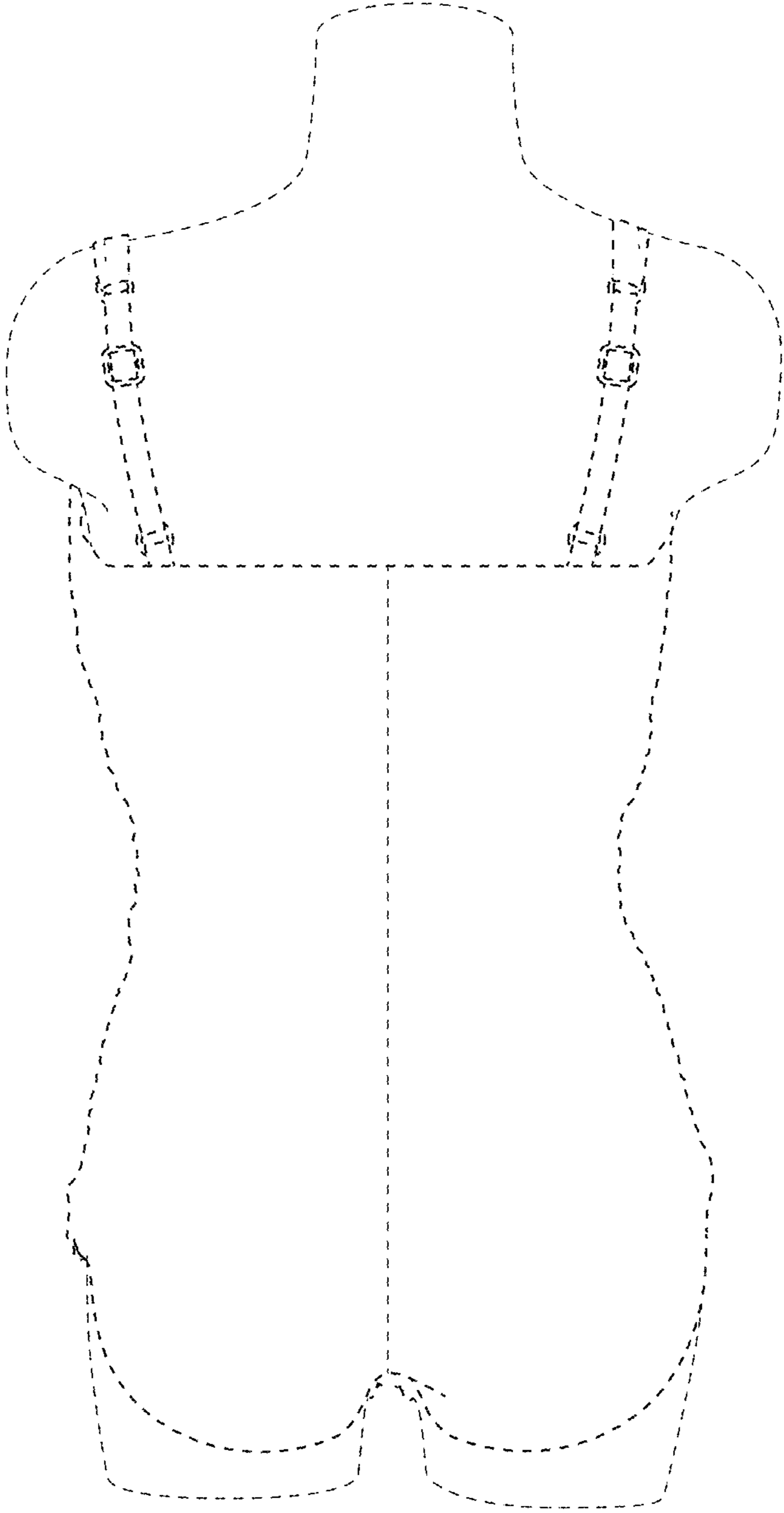


FIG. 2

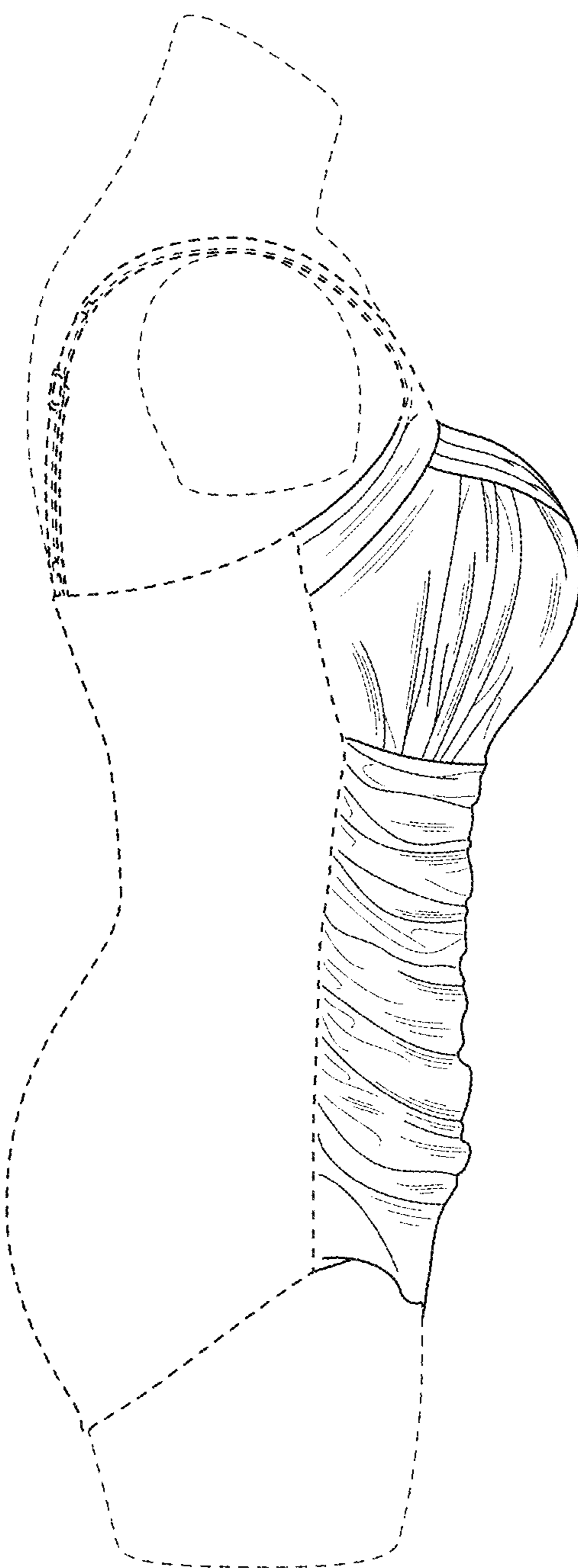


FIG. 3

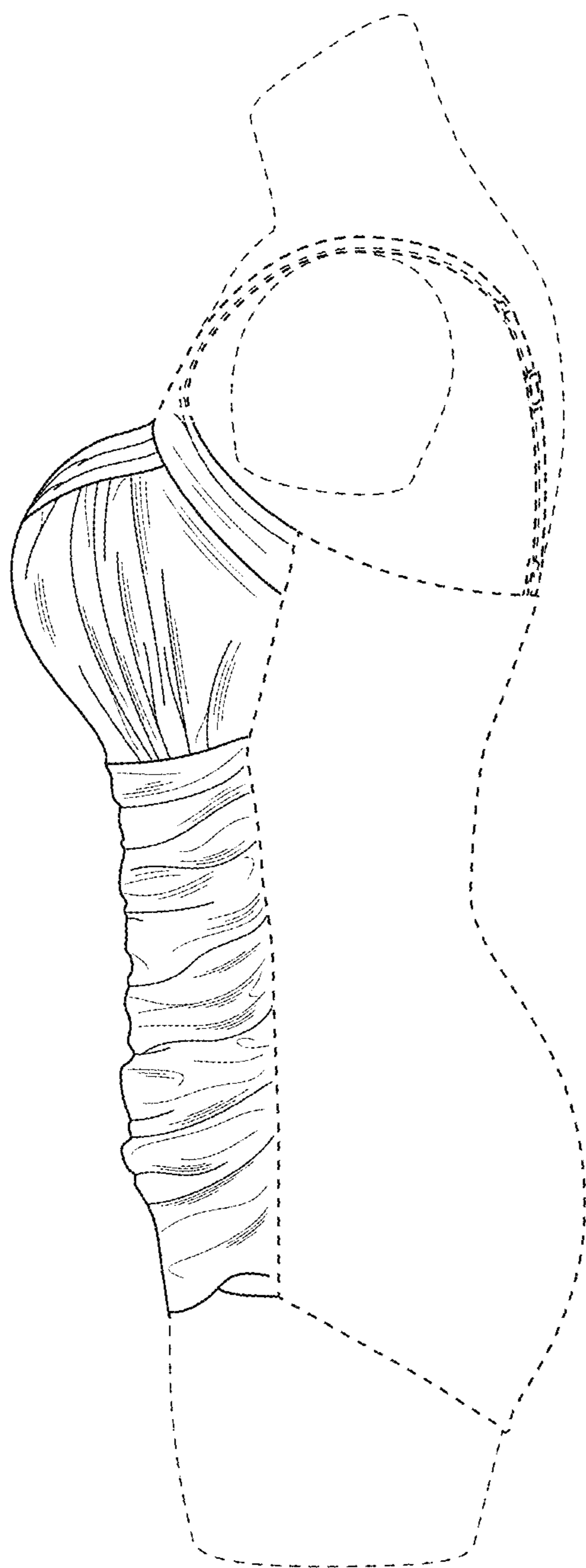


FIG. 4

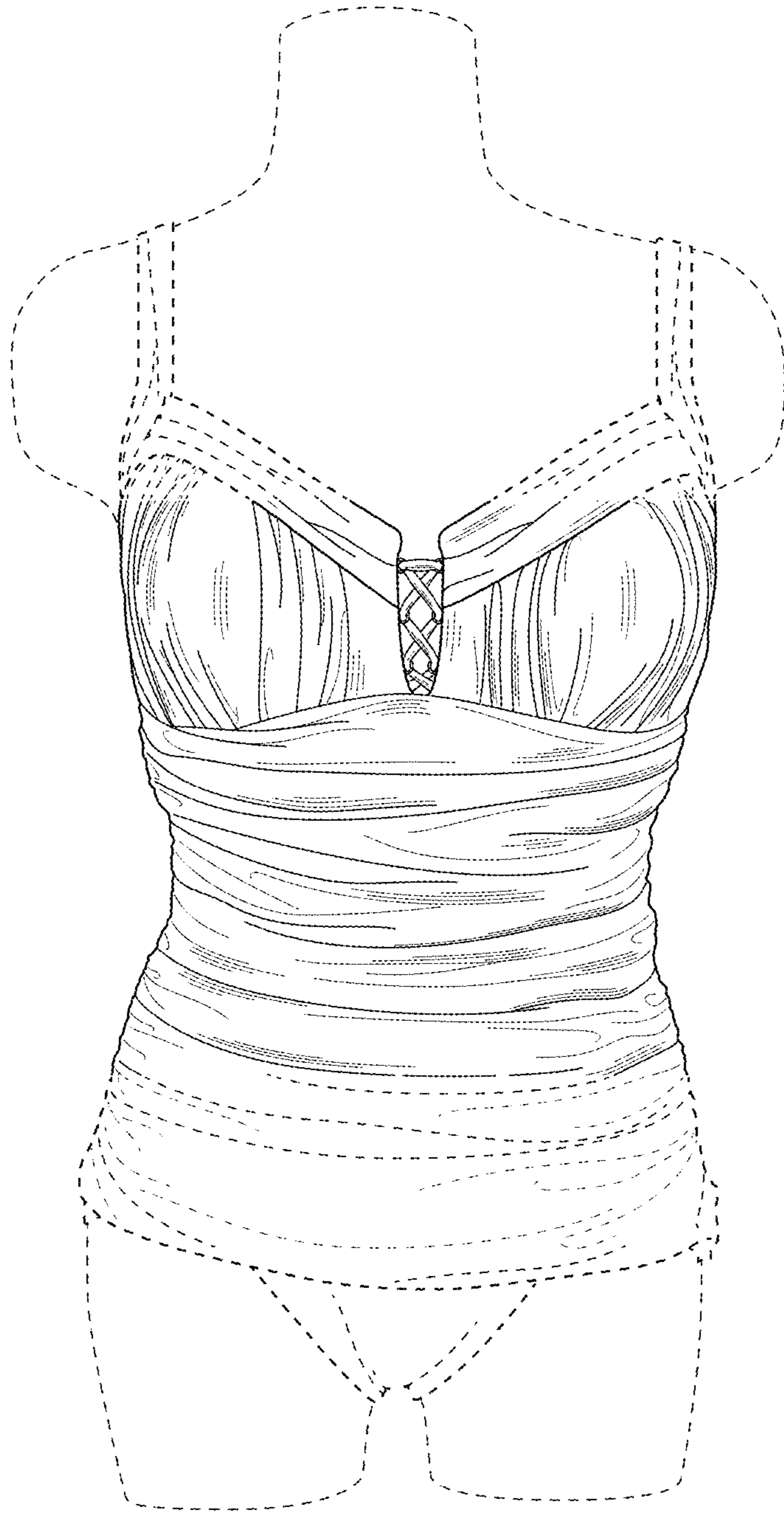


FIG. 5

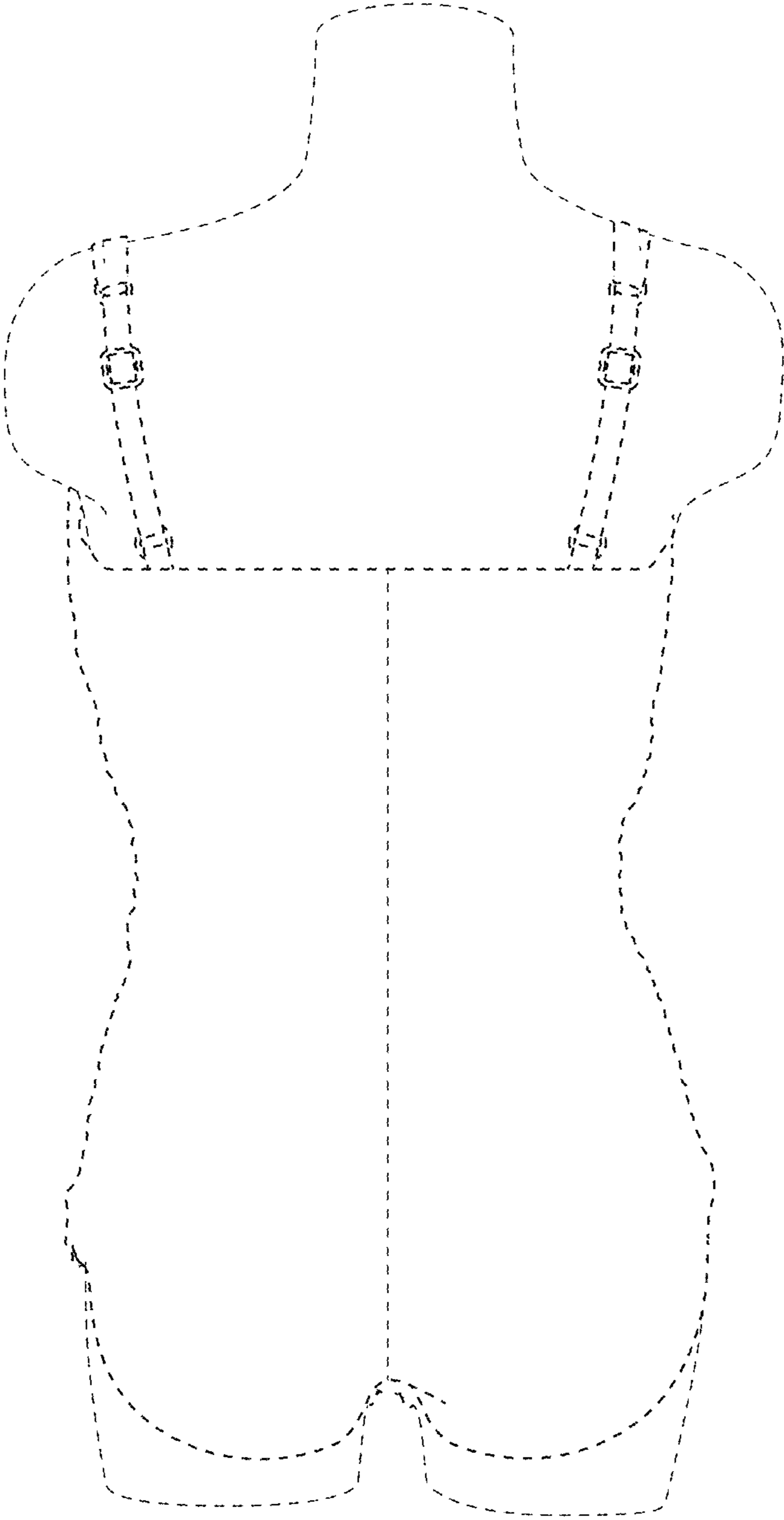


FIG. 6

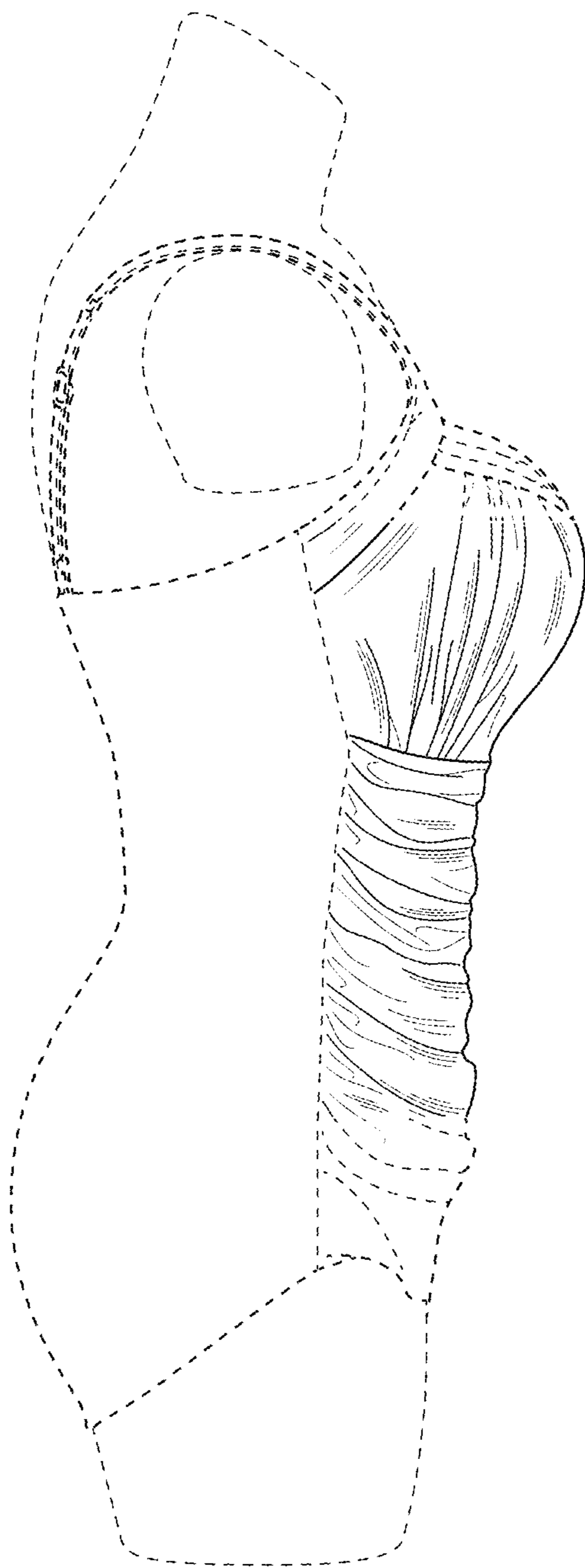


FIG. 7

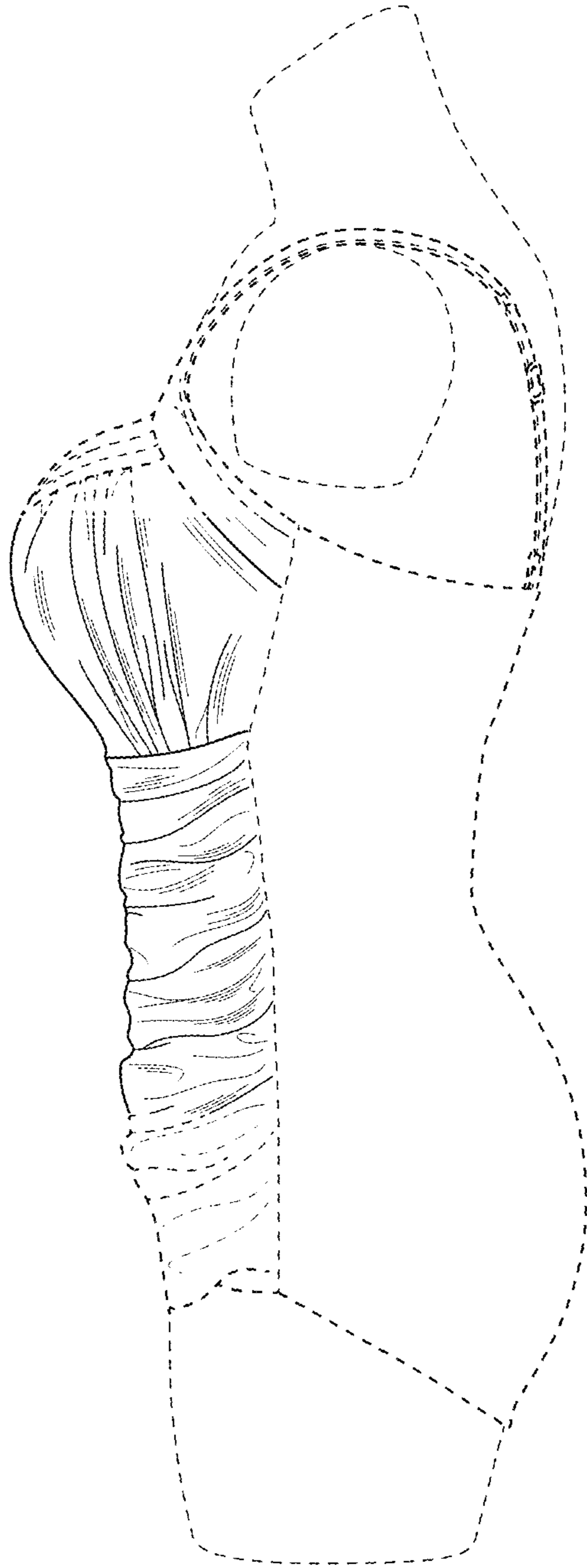


FIG. 8