



US00D727593S

(12) **United States Design Patent**  
**Zell**

(10) **Patent No.:** **US D727,593 S**  
(45) **Date of Patent:** **\*\* Apr. 28, 2015**

(54) **SOCK DONNER**

(75) Inventor: **Ryan M. Zell**, Greensboro, NC (US)

(73) Assignee: **Legs 4 Life, LLC**, Ashboro, NC (US)

(\*\*) Term: **14 Years**

(21) Appl. No.: **29/432,055**

(22) Filed: **Sep. 13, 2012**

(51) **LOC (10) Cl.** ..... **07-99**

(52) **U.S. Cl.**

USPC ..... **D2/641**

(58) **Field of Classification Search**

CPC ..... A47G 25/80; A47G 25/82; A47G 25/84;  
A47G 25/86; A47G 25/88; A47G 25/90;  
A47G 25/92; A47G 25/905; A47G 25/907;  
A47G 25/908

USPC ..... D2/641-642; D9/519, 529, 558, 564,  
D9/781; D7/684; D23/413; D21/754;  
223/111-118, 120; 150/160

See application file for complete search history.

(56) **References Cited**

**U.S. PATENT DOCUMENTS**

3,231,160	A *	1/1966	Glanville	.....	223/111
D216,451	S *	1/1970	Fox	.....	D2/642
D259,300	S *	5/1981	Vreeken	.....	D2/641
4,284,216	A *	8/1981	Leland	.....	223/111
4,765,520	A *	8/1988	Barton	.....	223/111
4,942,988	A *	7/1990	Doorenbos	.....	223/111
D337,881	S *	8/1993	Peeler	.....	D2/641
5,593,071	A *	1/1997	Lusk	.....	223/112
5,630,534	A *	5/1997	Maier et al.	.....	223/112
5,632,424	A *	5/1997	Maier et al.	.....	223/112
D413,707	S *	9/1999	Gaskins et al.	.....	D2/641
D414,313	S *	9/1999	Maier et al.	.....	D2/641
6,932,252	B2 *	8/2005	Simmons	.....	223/111

D548,427	S *	8/2007	Holt	.....	D2/641
8,113,395	B2 *	2/2012	Norris	.....	223/111
8,657,165	B1 *	2/2014	Liu	.....	223/111
2004/0149789	A1 *	8/2004	Landsberger et al.	.....	223/112
2008/0185407	A1 *	8/2008	Wilkens	.....	223/112

**OTHER PUBLICATIONS**

Venosan Donner, announced Jan. 23, 2013 [online], [site visited Nov. 4, 2014]. Available from Internet, URL: <<http://shop.jobskingarmments.com/products/venosan-donner-large>>.\*

(Continued)

*Primary Examiner* — Barbara Fox

*Assistant Examiner* — Dana K Weiland

(74) *Attorney, Agent, or Firm* — Blake P. Hurt

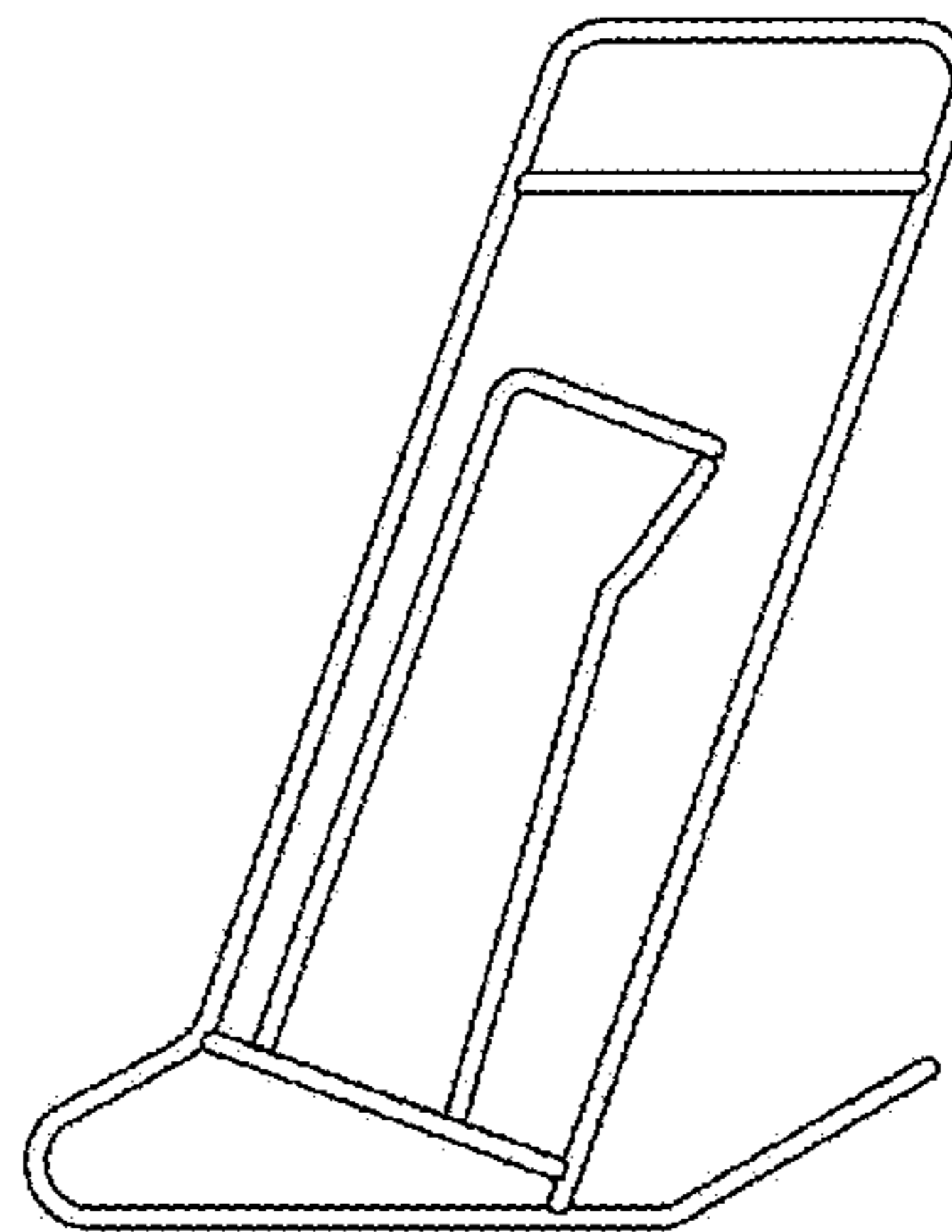
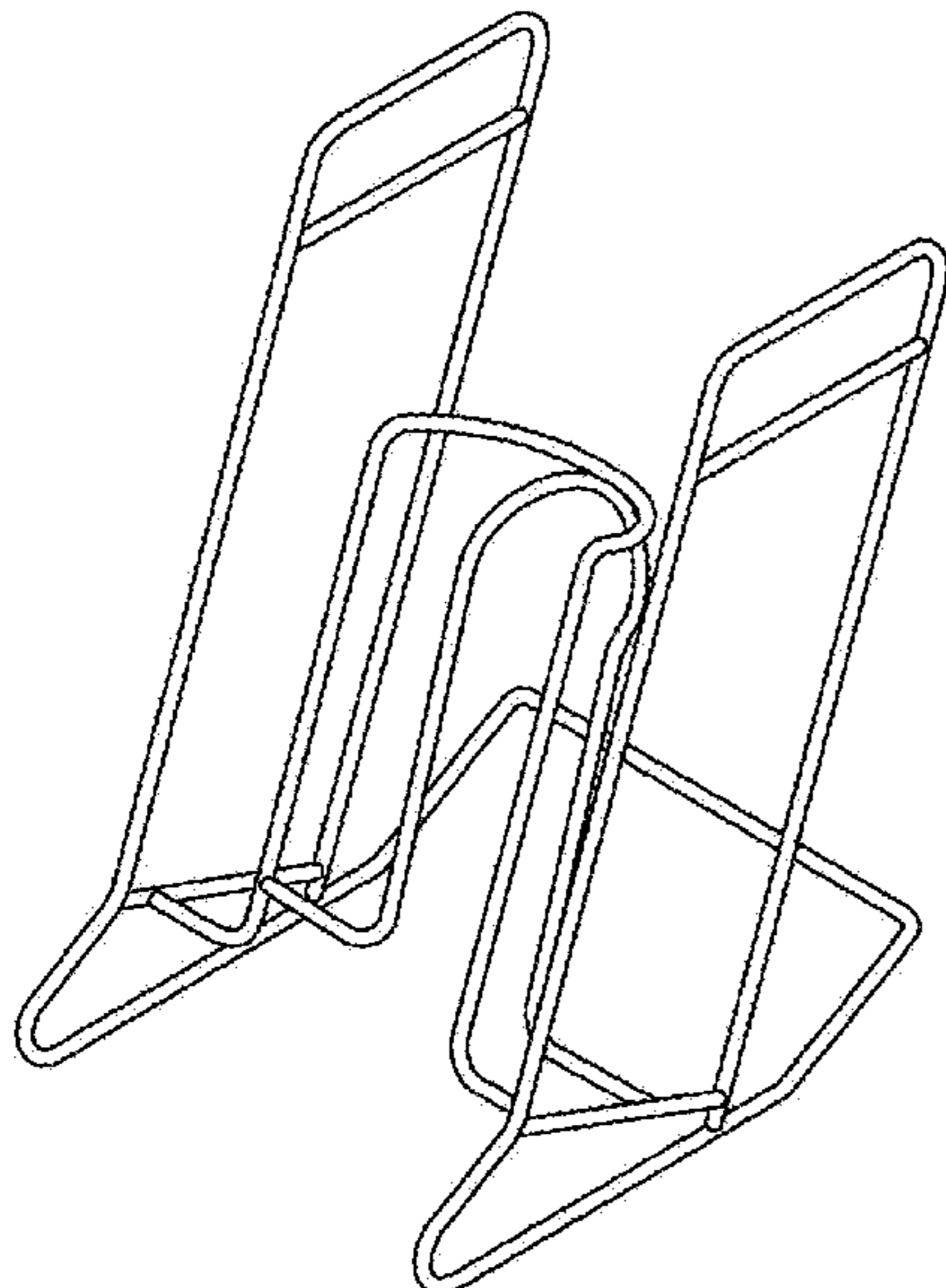
(57) **CLAIM**

The ornamental design for a sock donner, as shown and described.

**DESCRIPTION**

FIG. 1 is a top, front, right side perspective view of a first embodiment of a sock donner showing my new design; FIG. 2 is a right side elevational view thereof, the left side elevational view being a mirror image thereof; FIG. 3 is a front elevational view thereof; FIG. 4 is a rear elevational view thereof; FIG. 5 is a top plan view thereof; FIG. 6 is a bottom plan view thereof; FIG. 7 is a top, front, right side perspective view of a second embodiment of a sock donner showing my new design; FIG. 8 is a right side elevational view thereof, the left side elevational view being a mirror image thereof; FIG. 9 is a front elevational view thereof; FIG. 10 is a rear elevational view thereof; FIG. 11 is a top plan view thereof; and, FIG. 12 is a bottom plan view thereof.

**1 Claim, 4 Drawing Sheets**



(56)

**References Cited**

OTHER PUBLICATIONS

Four (4) page web printout comprising: a one (1) page “Jobst Stocking Donner” in a video presentation dated 2006, two (2) pages from the website Express Medical Supply, Inc. copyright 2011 and a one (1) page enlarged picture.

Four (4) page web printout showing the “Medi “Big” Butler Stocking Application Aid”; copyright 2009 Ames Walker showing product review dates of Feb. 26, 2012, Nov. 1, 2010 and May 19, 2010.

\* cited by examiner

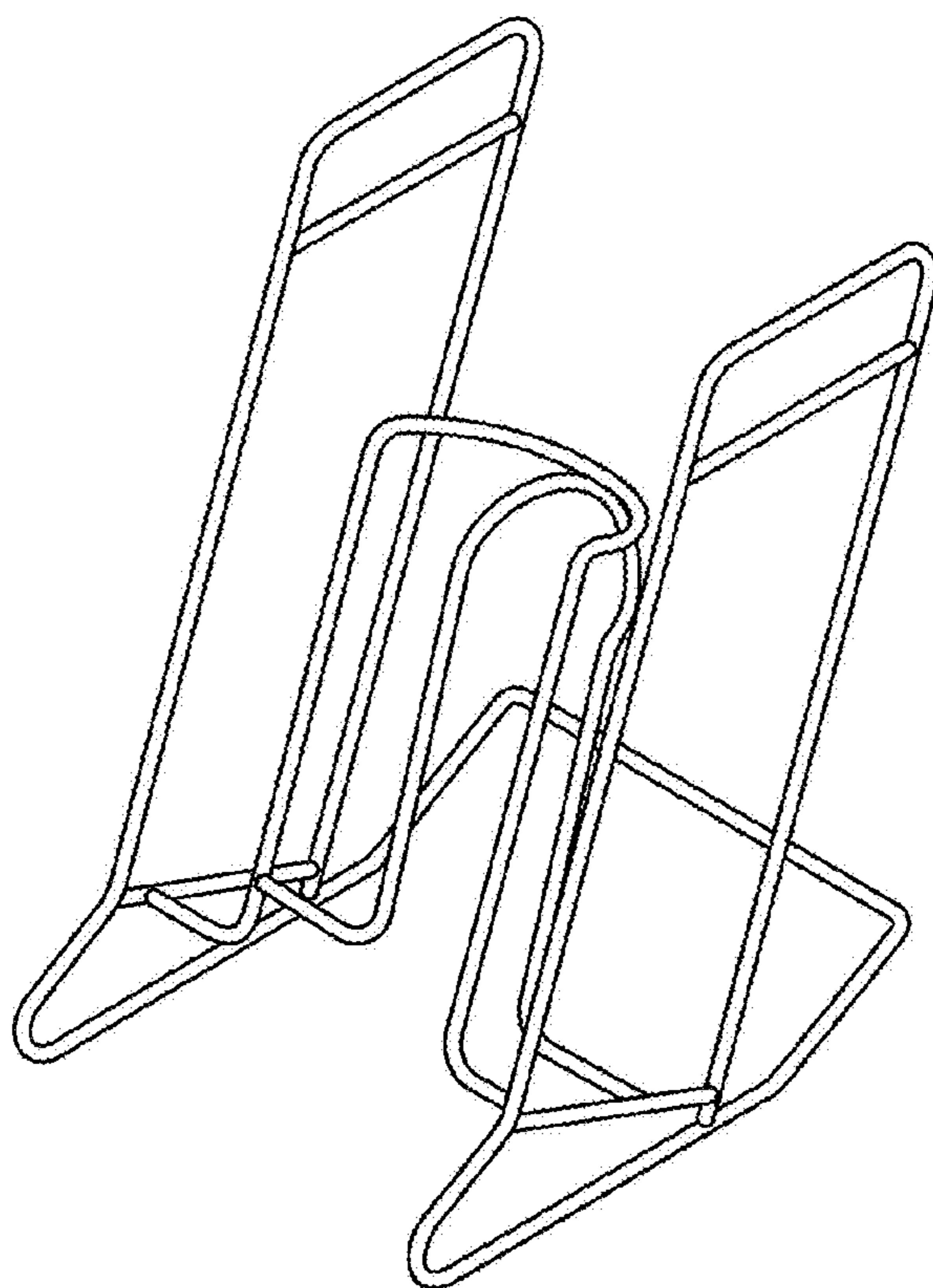


Fig. 1

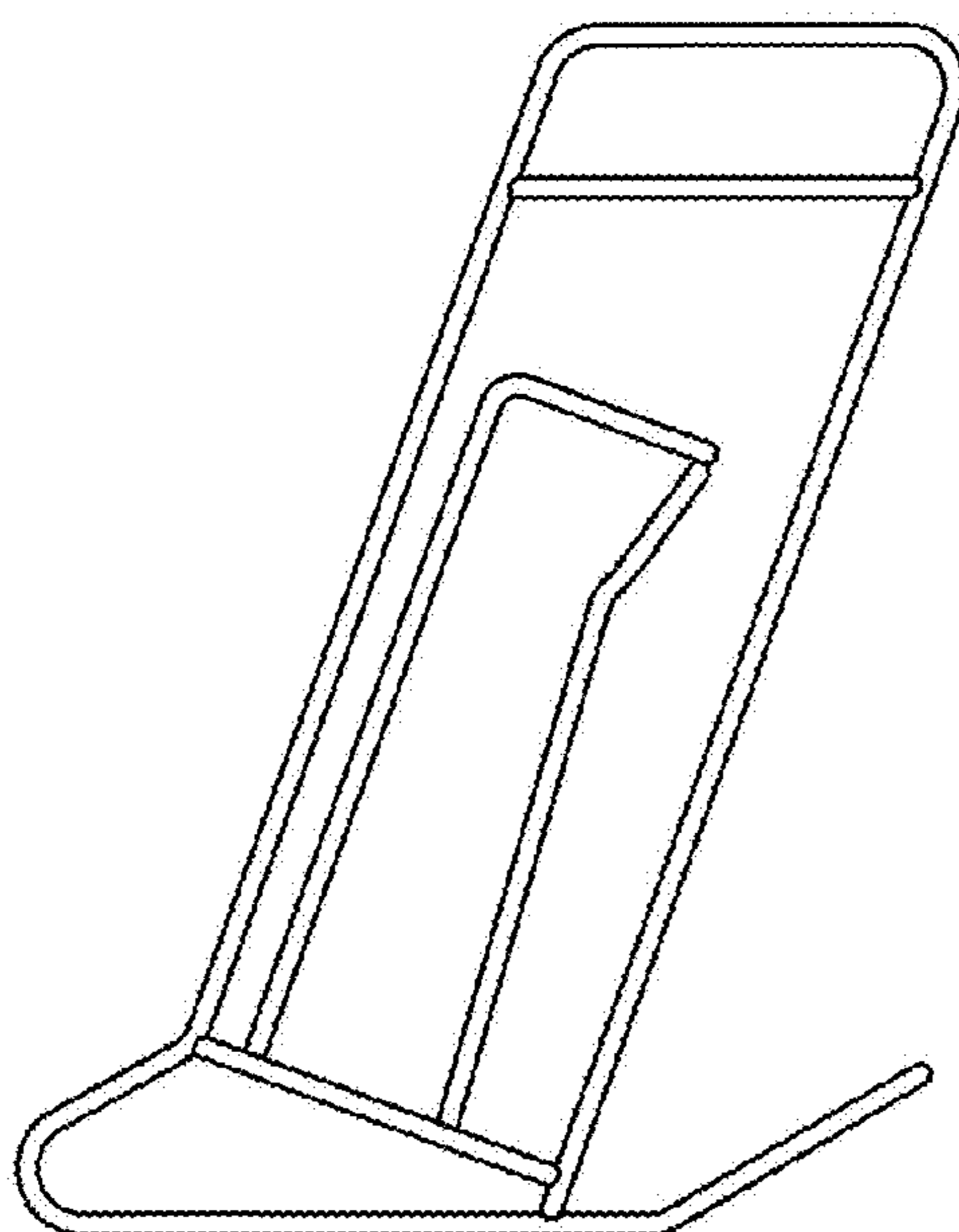


Fig. 2

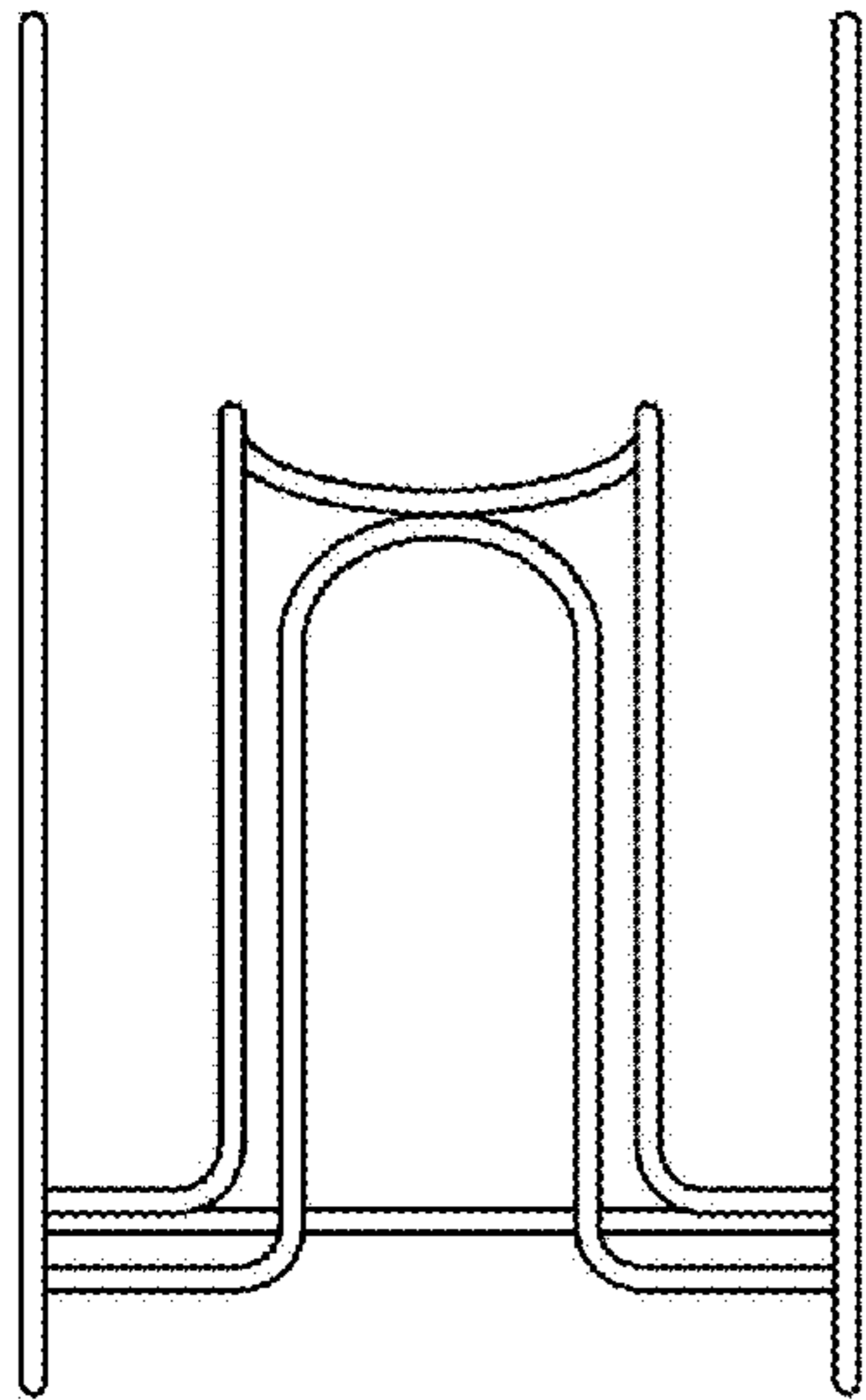


Fig. 3

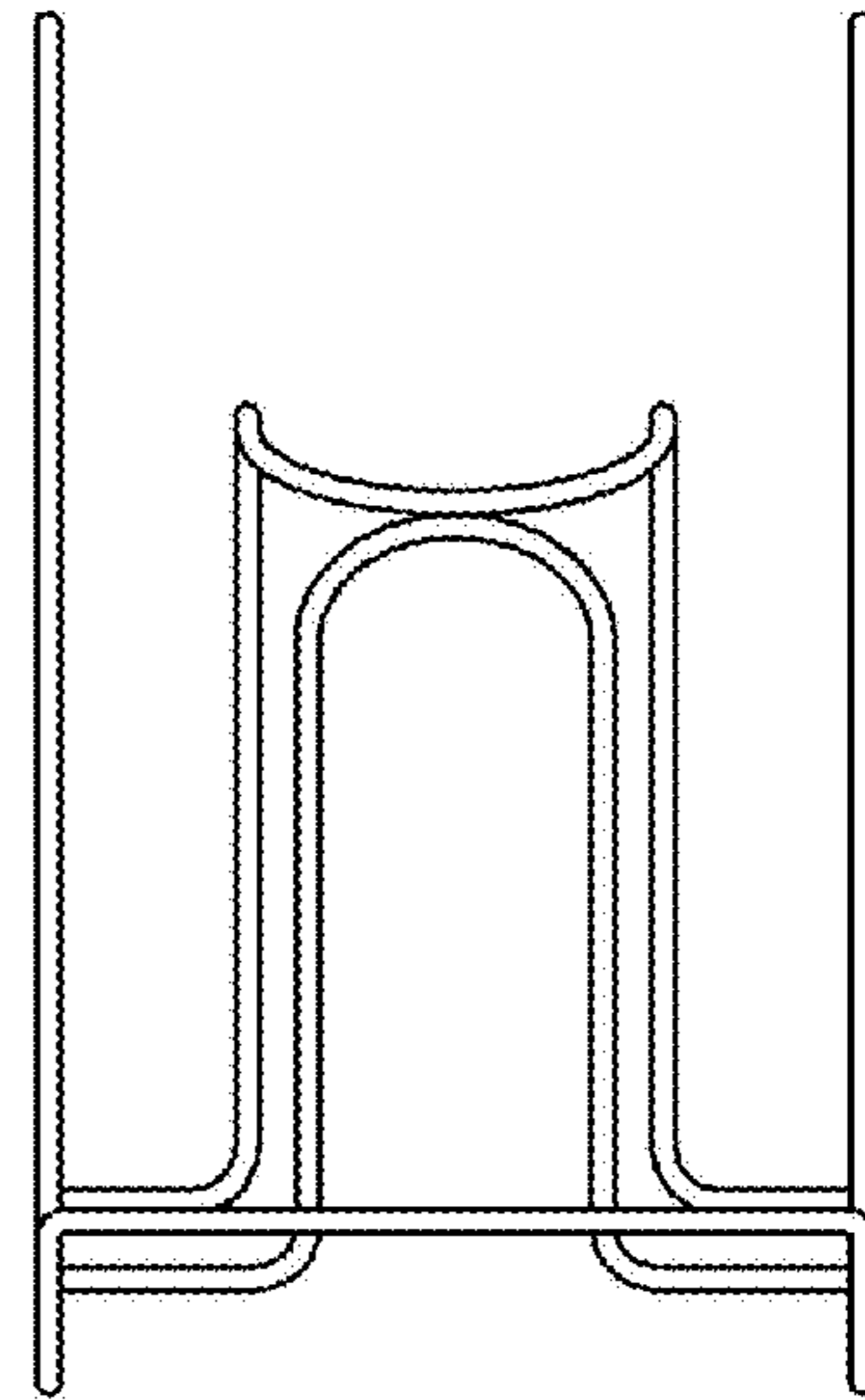


Fig. 4

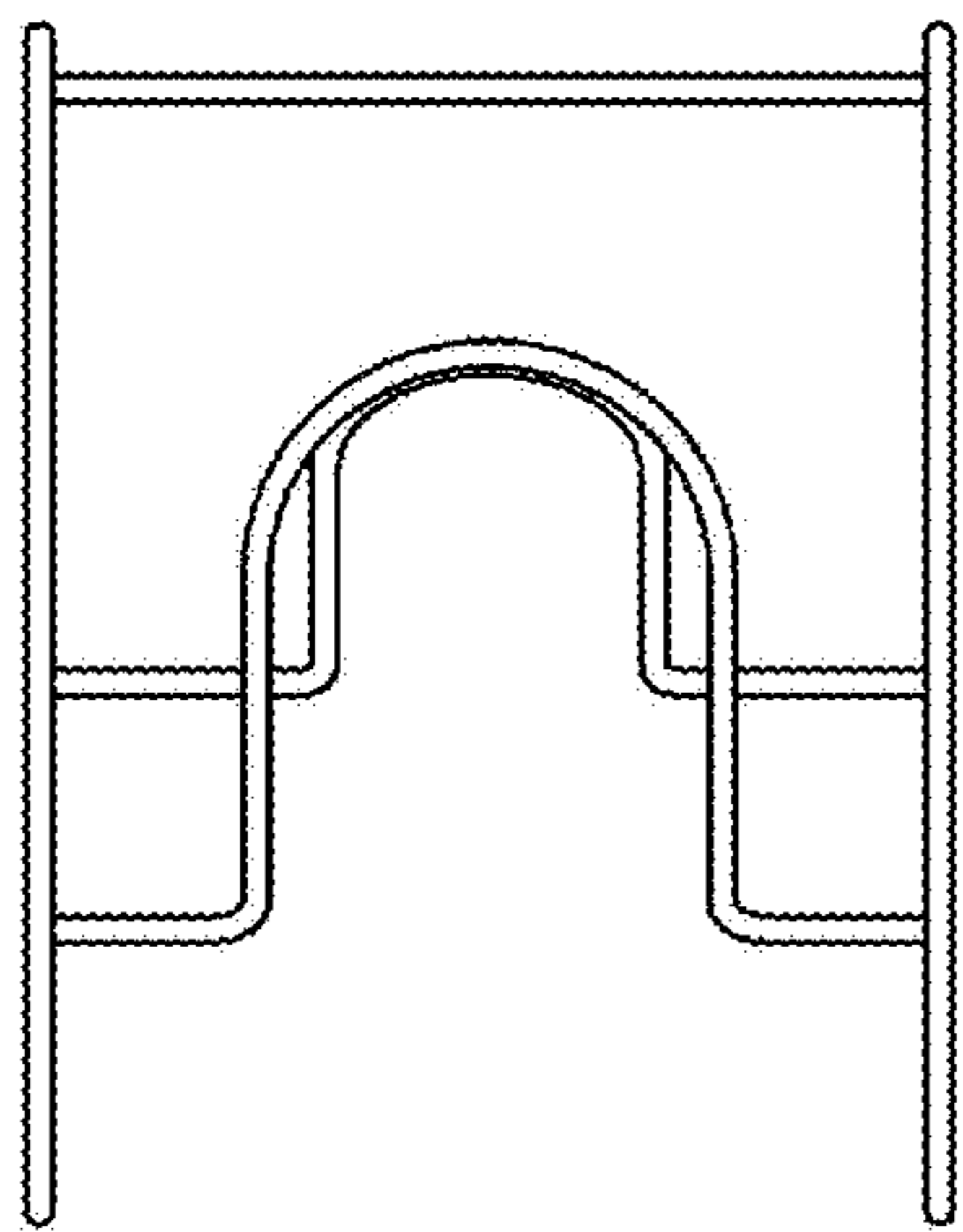


Fig. 5

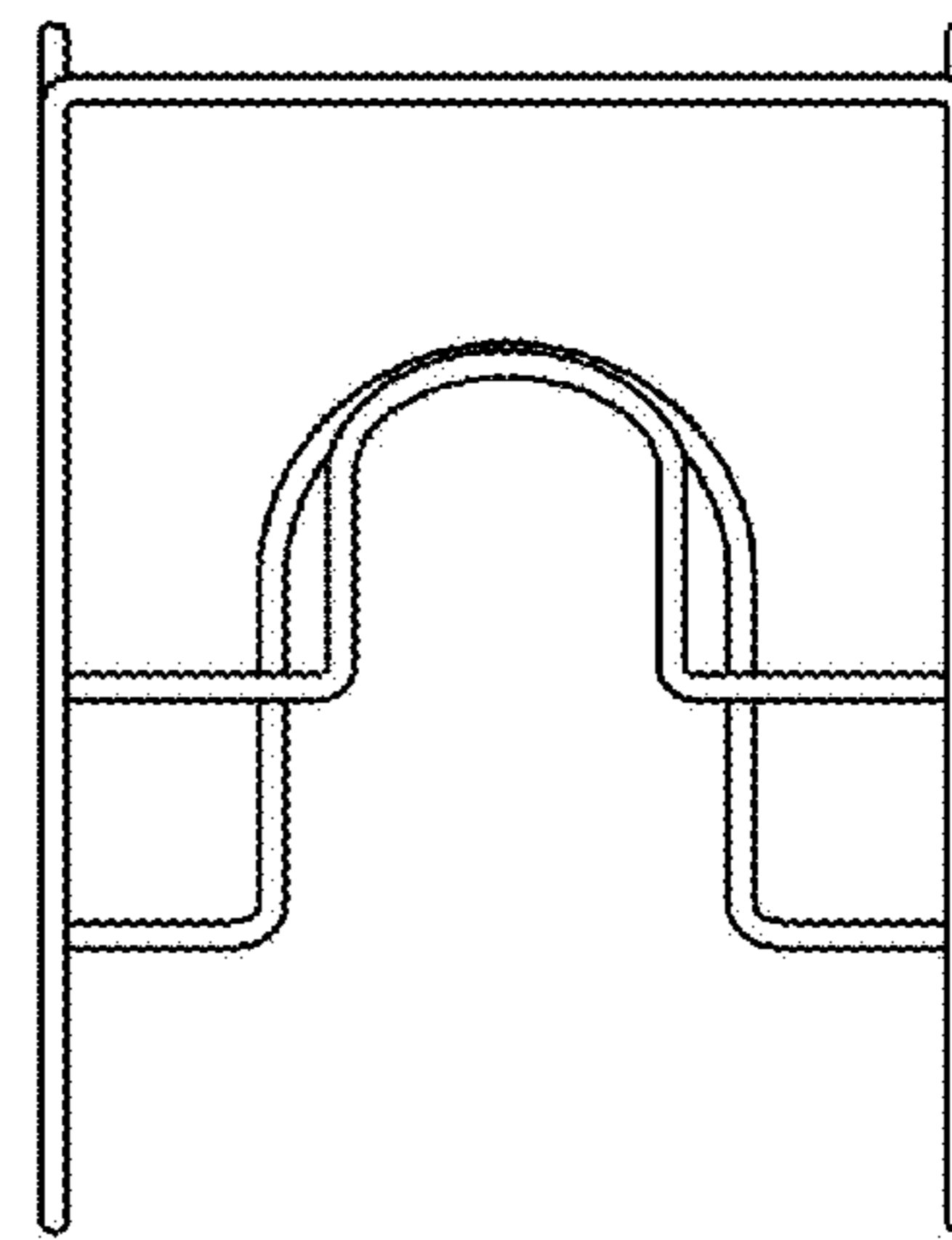


Fig. 6

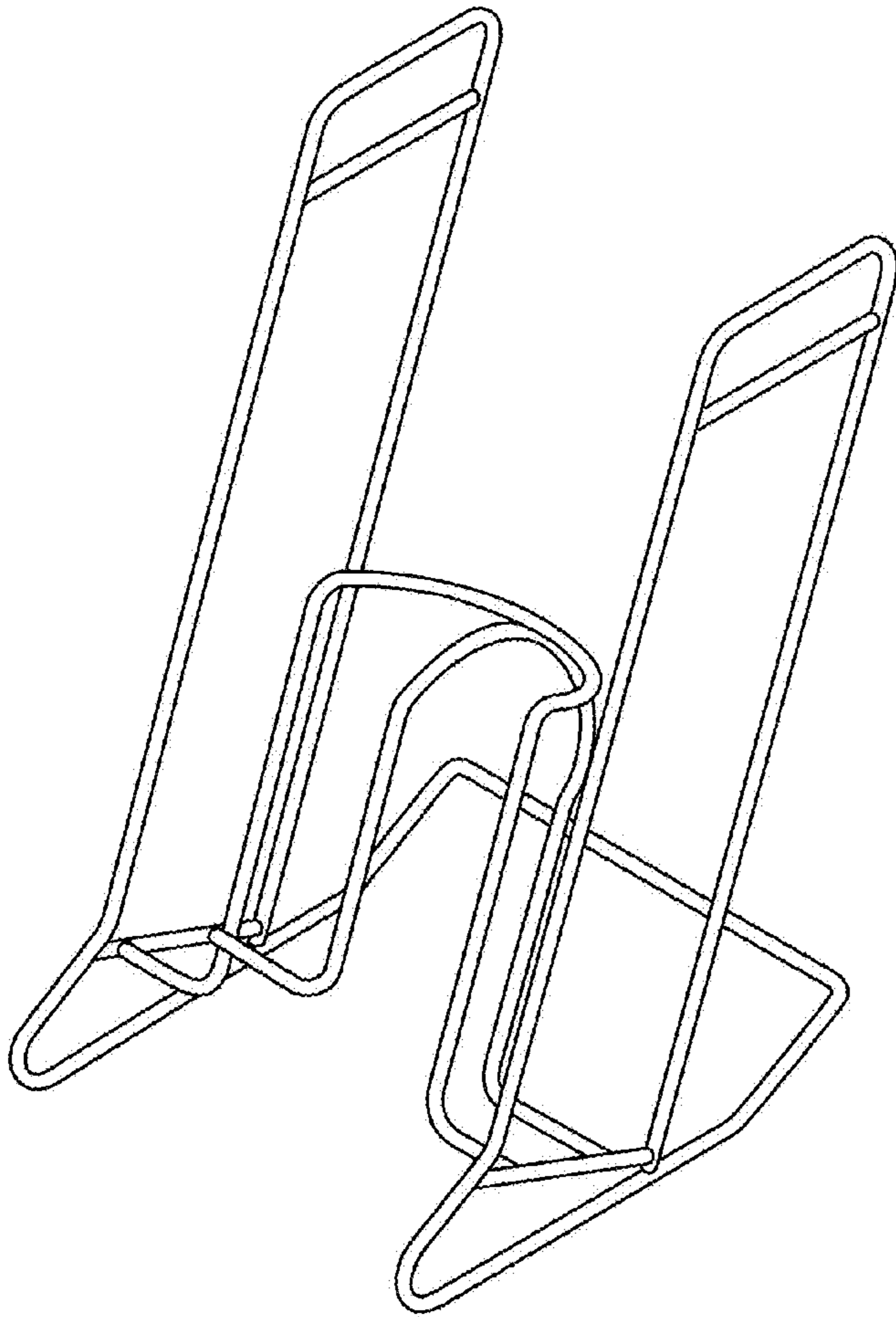


Fig. 7

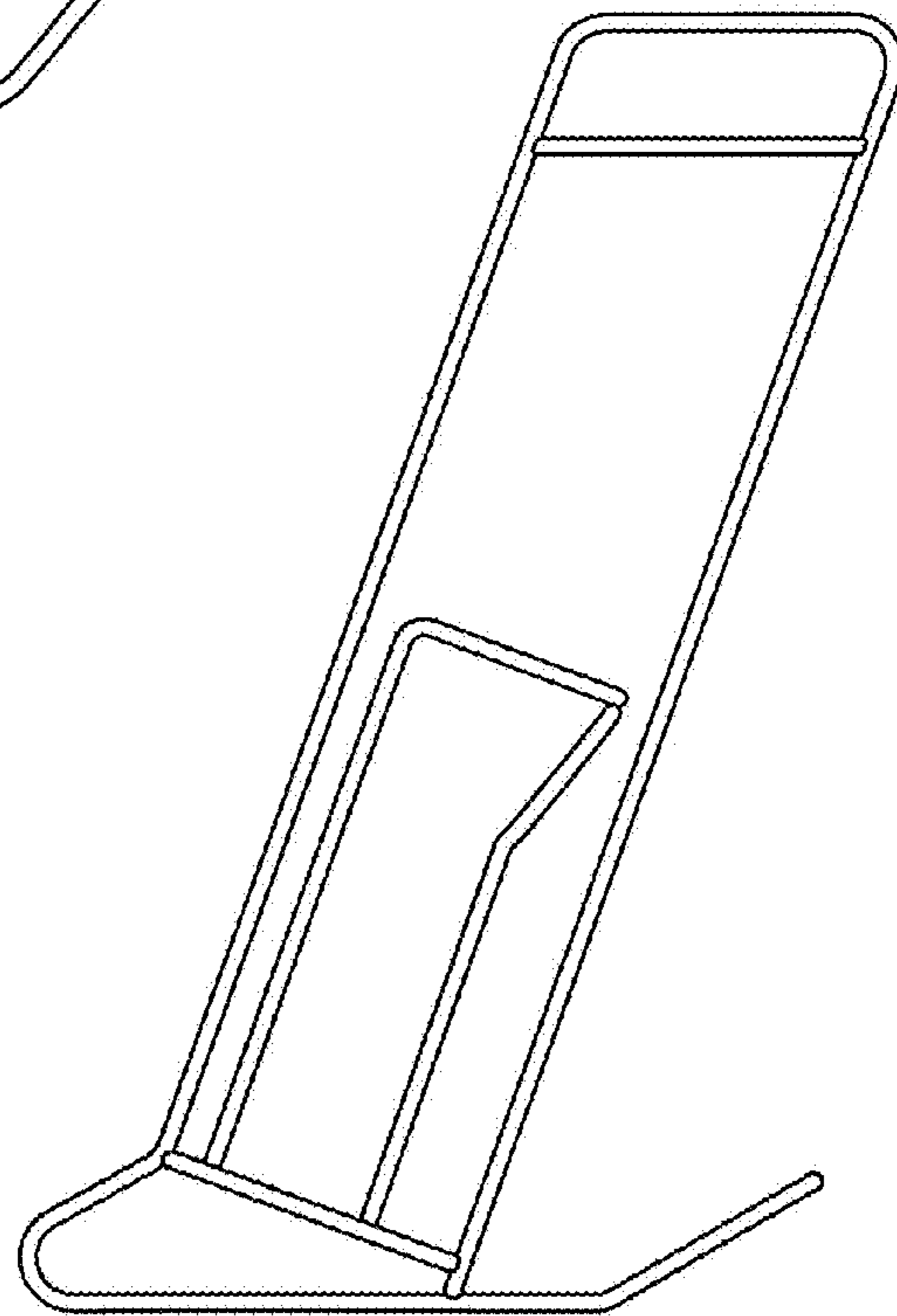


Fig. 8

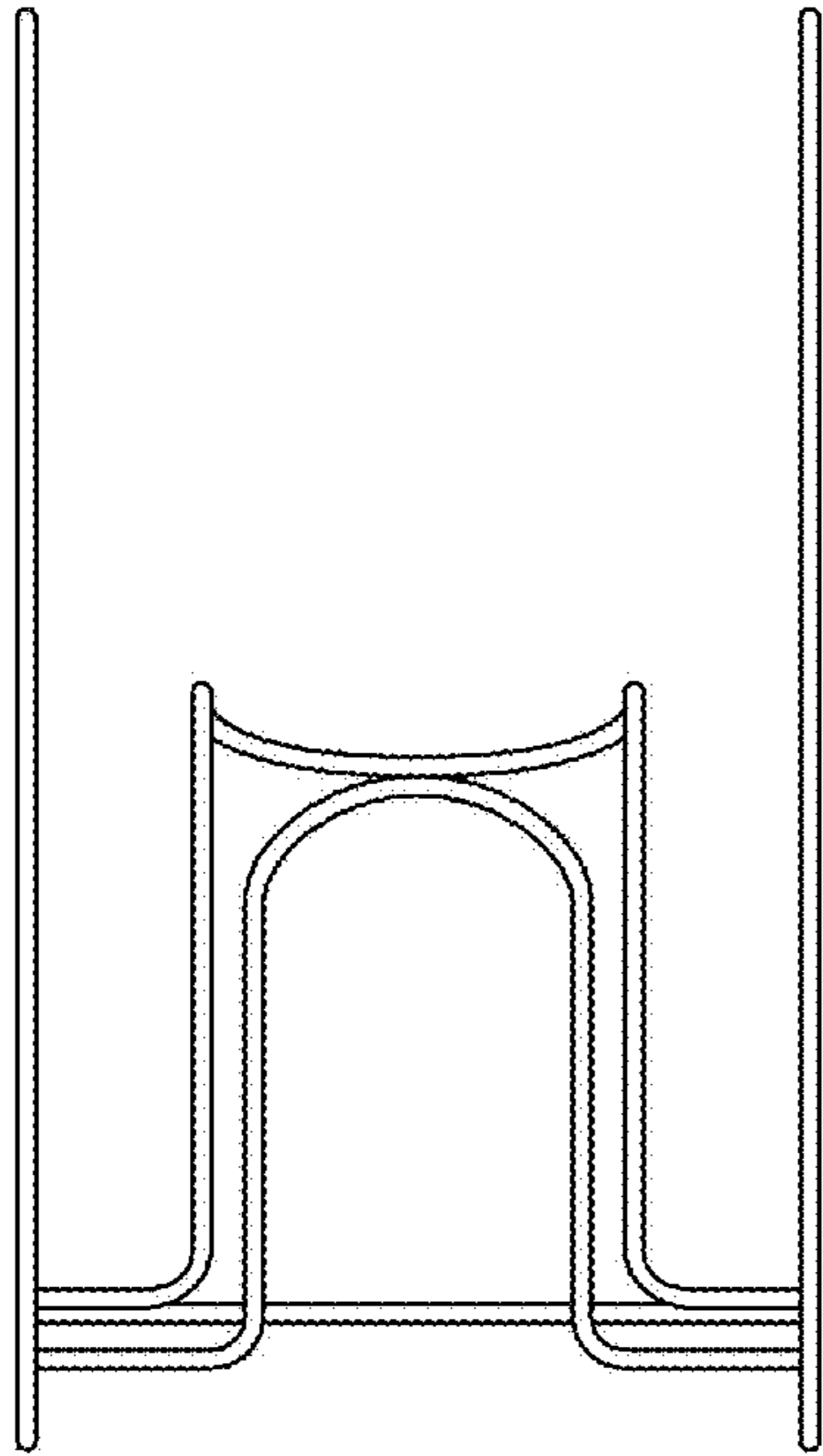


Fig. 9

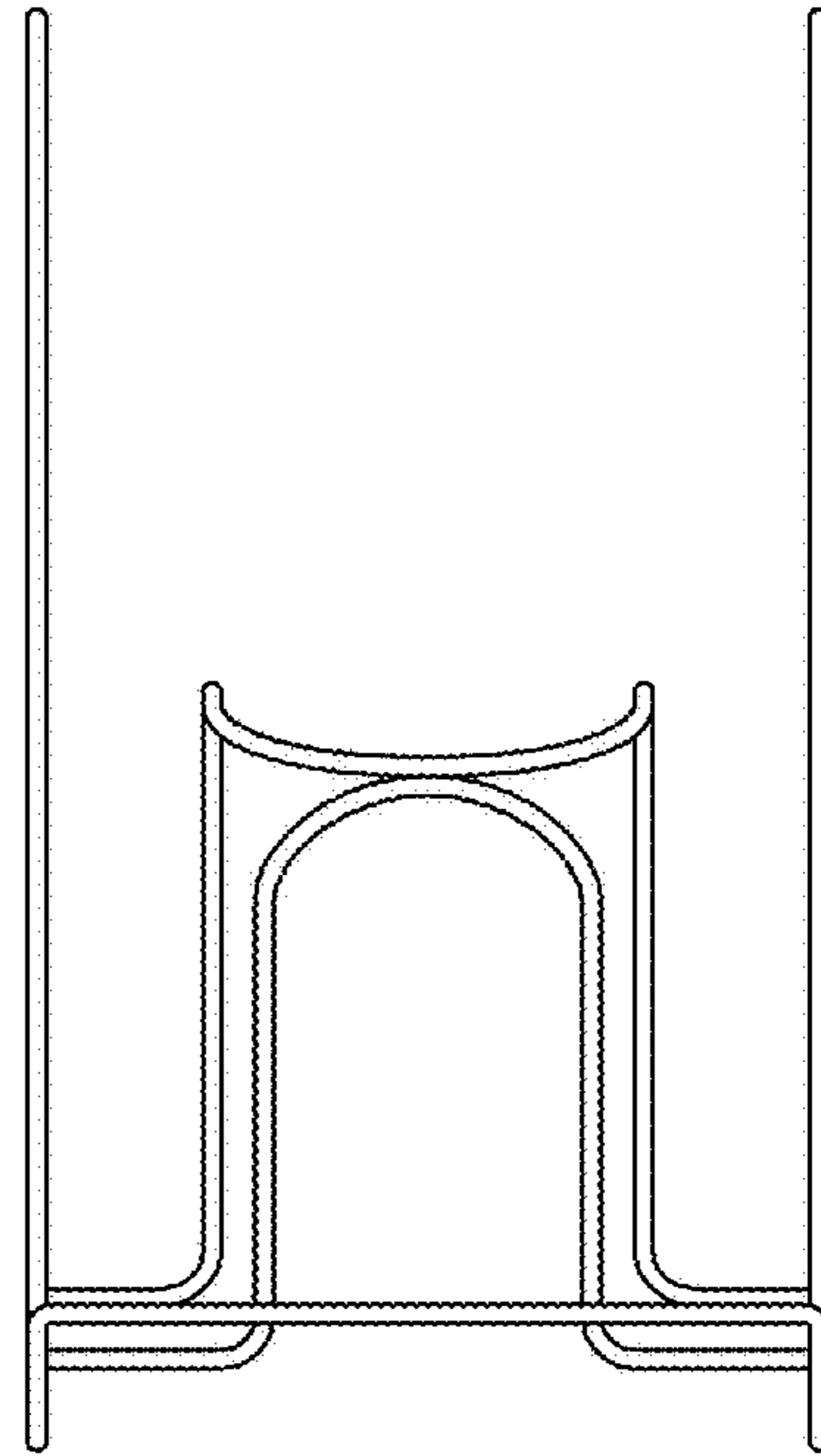


Fig. 10

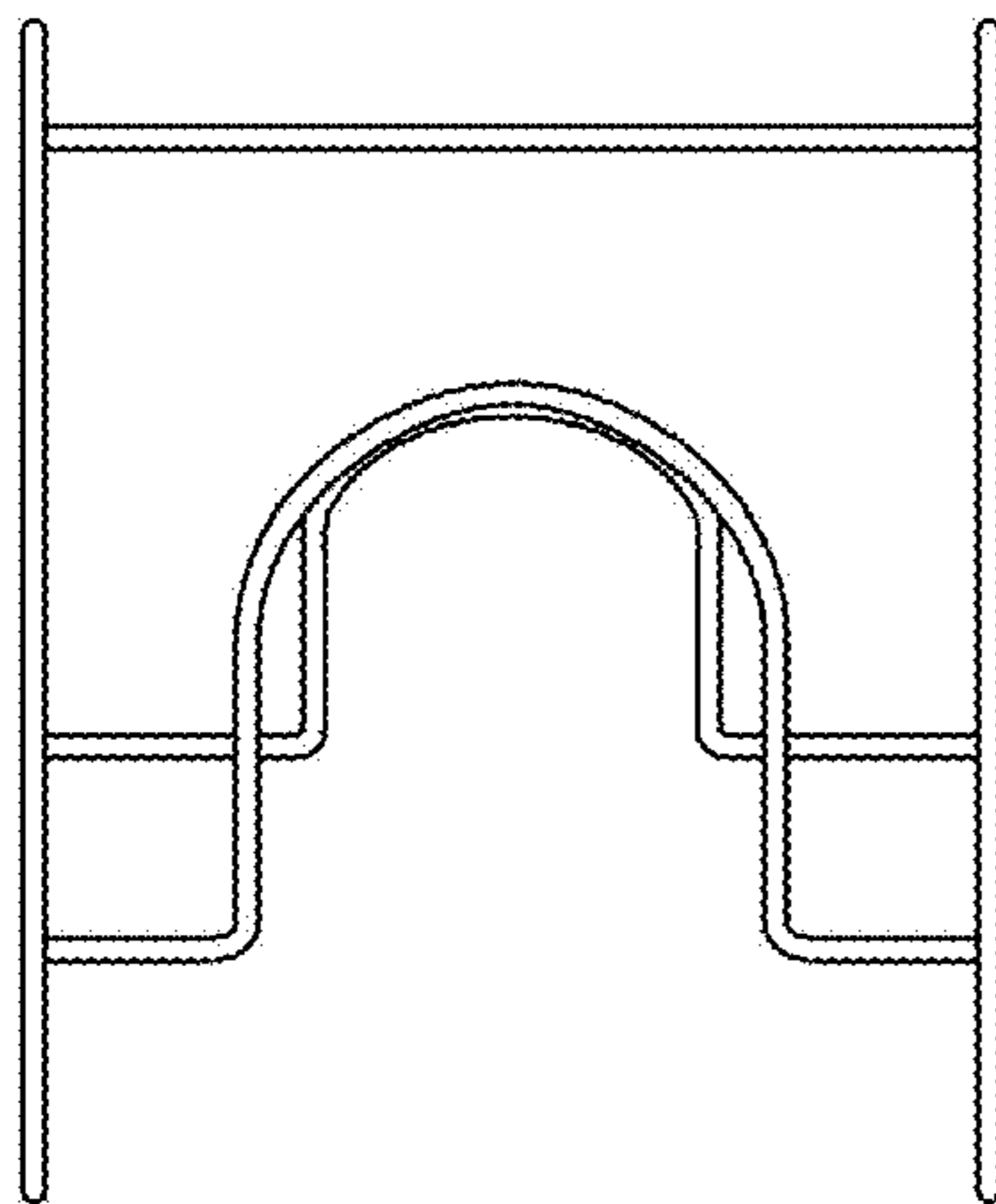


Fig. 11

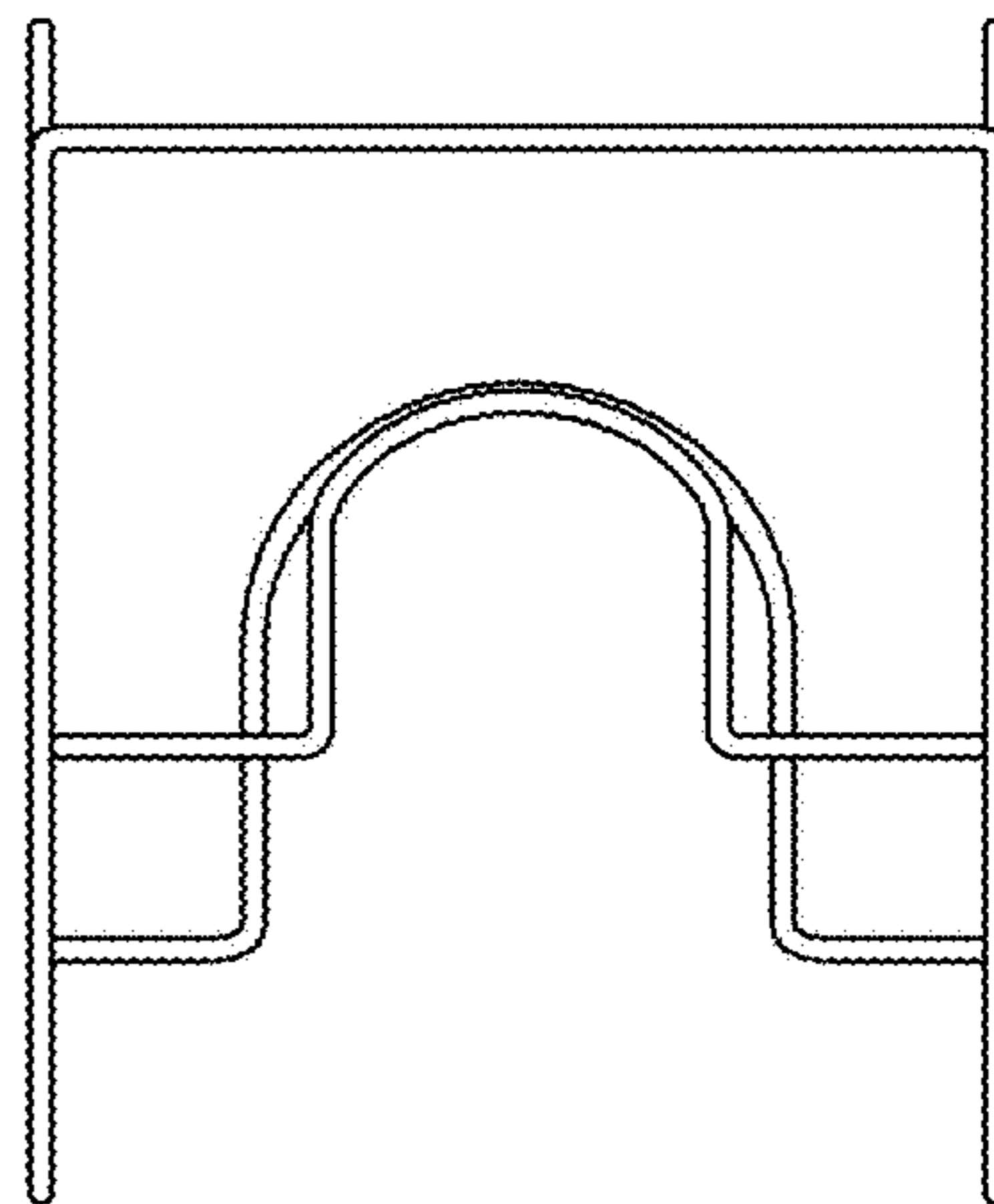


Fig. 12