



US00D727591S

(12) **United States Design Patent**
Elliott

(10) **Patent No.:** **US D727,591 S**

(45) **Date of Patent:** **** Apr. 28, 2015**

(54) **HOLLOWED BUN**

(71) Applicant: **Barbara B. Elliott**, Fishers, IN (US)

(72) Inventor: **Barbara B. Elliott**, Fishers, IN (US)

(**) Term: **14 Years**

(21) Appl. No.: **29/460,223**

(22) Filed: **Jul. 9, 2013**

(51) **LOC (10) Cl.** **01-01**

(52) **U.S. Cl.**
USPC **D1/129**

(58) **Field of Classification Search**
USPC D1/100-130, 199; 426/92, 94, 104,
426/134, 138, 143, 275, 277, 279, 281-284,
426/292, 295, 391, 496, 514, 566, 572,
426/660; D9/500, 504, 643; D6/351;
425/116, 401; 215/321; D30/118;
220/4.21; 206/581; D28/82

See application file for complete search history.

(56) **References Cited**

U.S. PATENT DOCUMENTS

D234,275	S	*	2/1975	Kosecoff	D1/129
4,047,477	A		9/1977	Berke		
4,190,229	A		2/1980	Bradshaw		
D295,455	S	*	5/1988	Han	D1/130
D312,914	S	*	12/1990	Daldrup	D1/122
5,690,019	A		11/1997	Barker et al.		
D392,516	S		3/1998	Evans		
D402,412	S	*	12/1998	Thorpe	D28/82
D404,536	S	*	1/1999	Hepworth	D1/122
6,024,995	A	*	2/2000	Rosso	426/93

D427,747	S	*	7/2000	Bentley	D1/129
D530,860	S	*	10/2006	Funkhouser et al.	D28/82
D531,036	S	*	10/2006	Bried et al.	D9/504
D626,289	S	*	10/2010	Lee	D28/82
D685,527	S	*	7/2013	Eberlein et al.	D28/82
D697,674	S	*	1/2014	You	D28/82
D719,715	S	*	12/2014	Kesselman	D99/37
2003/0082253	A1		5/2003	Chang		

OTHER PUBLICATIONS

Hollowed Sourdough Bun, Jan. 18, 2010. [online.] [retrieved on Feb. 18, 2015]. Retrieved from internet <URL: http://noblepig.com/2010/01/baked-eggs-in-bread-bowls/>.*

* cited by examiner

Primary Examiner — Deanna L. Pratt
Assistant Examiner — Katie Mroczka
(74) *Attorney, Agent, or Firm* — Woodard, Emhardt, Moriarty, McNett & Henry LLP

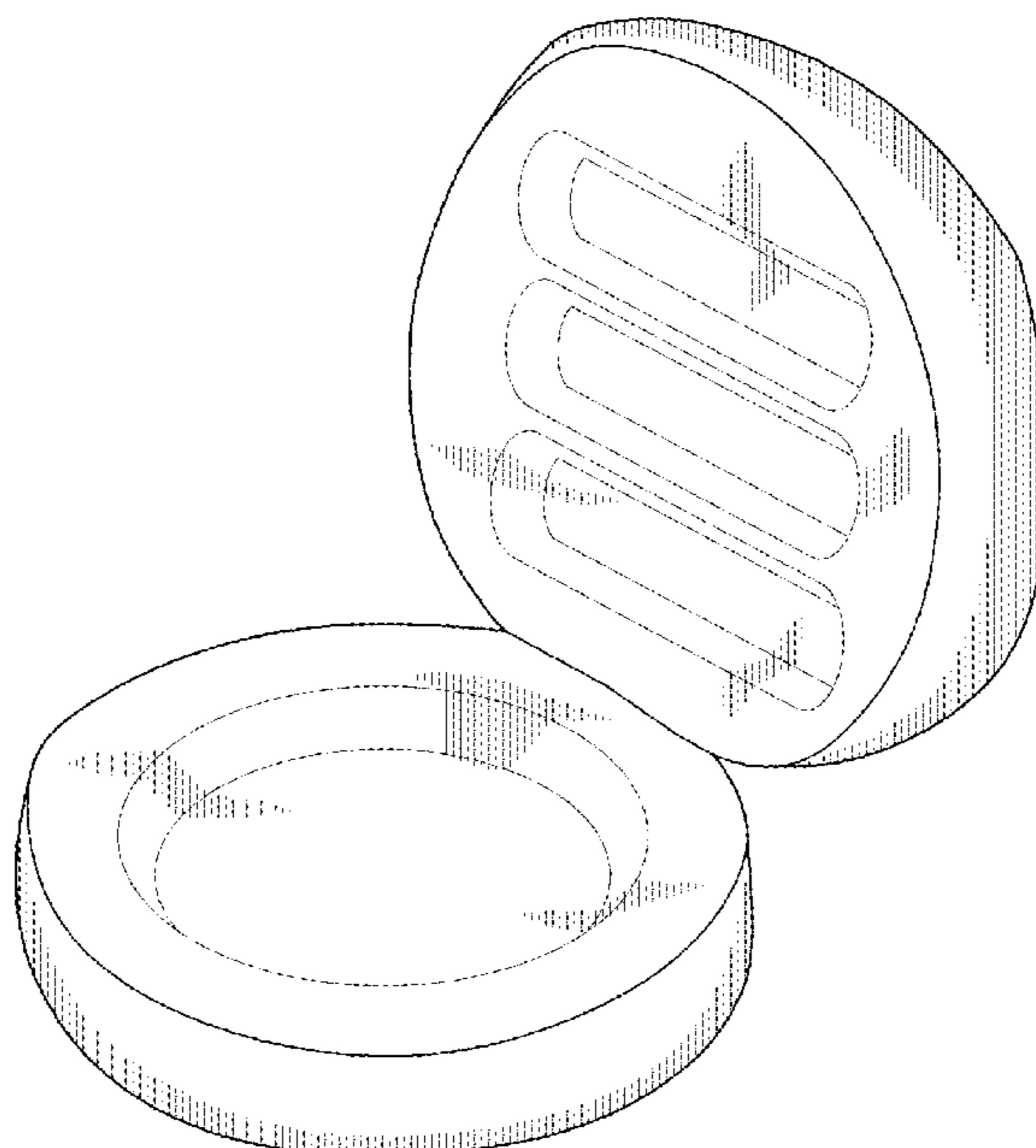
(57) **CLAIM**

The ornamental design for a hollowed bun, as shown and described.

DESCRIPTION

FIG. 1 is a perspective view of the hollowed bun;
FIG. 2 is a front view thereof;
FIG. 3 is a rear view thereof;
FIG. 4 is a right side view thereof;
FIG. 5 is a left side view thereof;
FIG. 6 is a top view thereof; and,
FIG. 7 is a bottom view thereof.

1 Claim, 4 Drawing Sheets



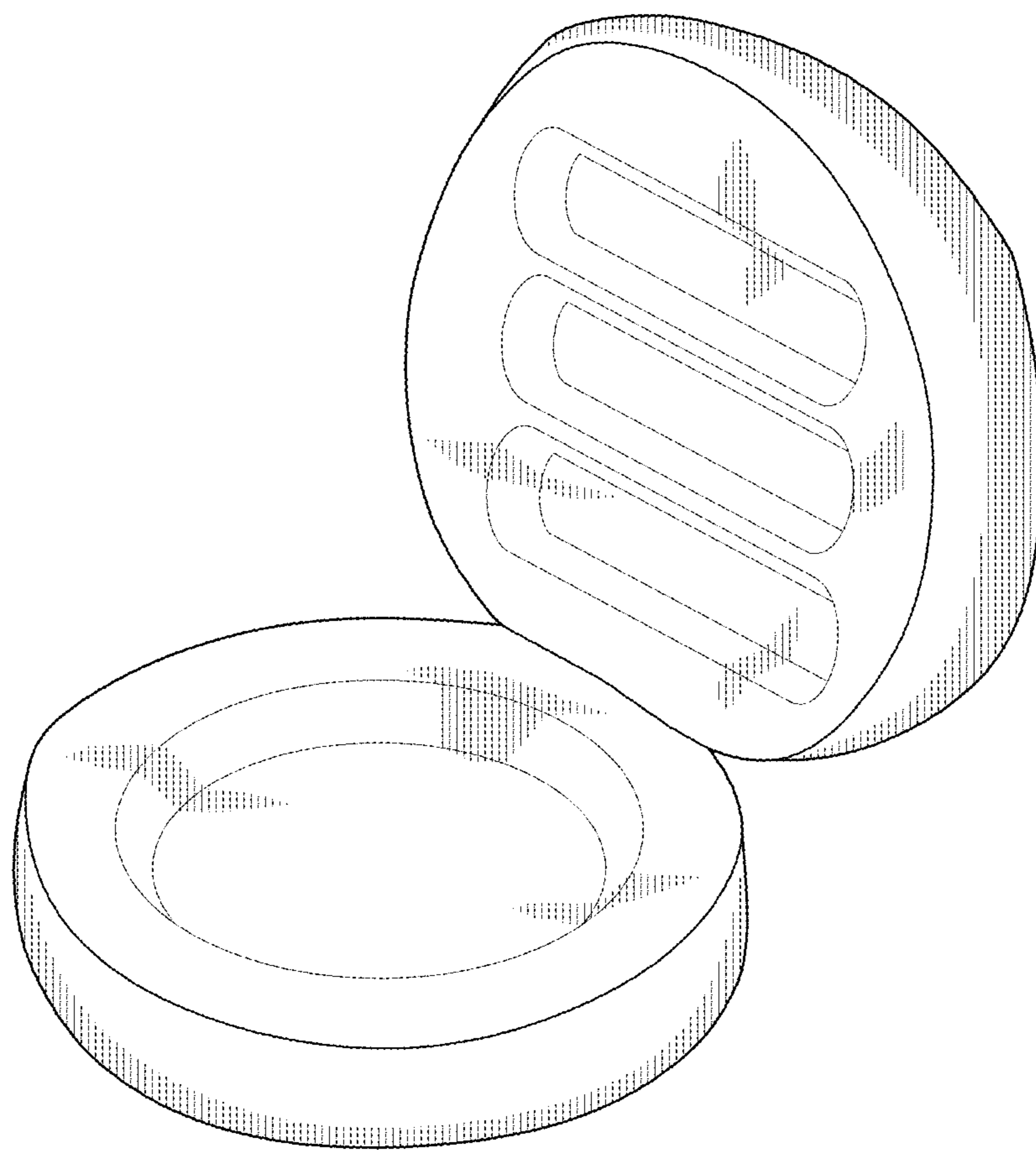


Fig. 1

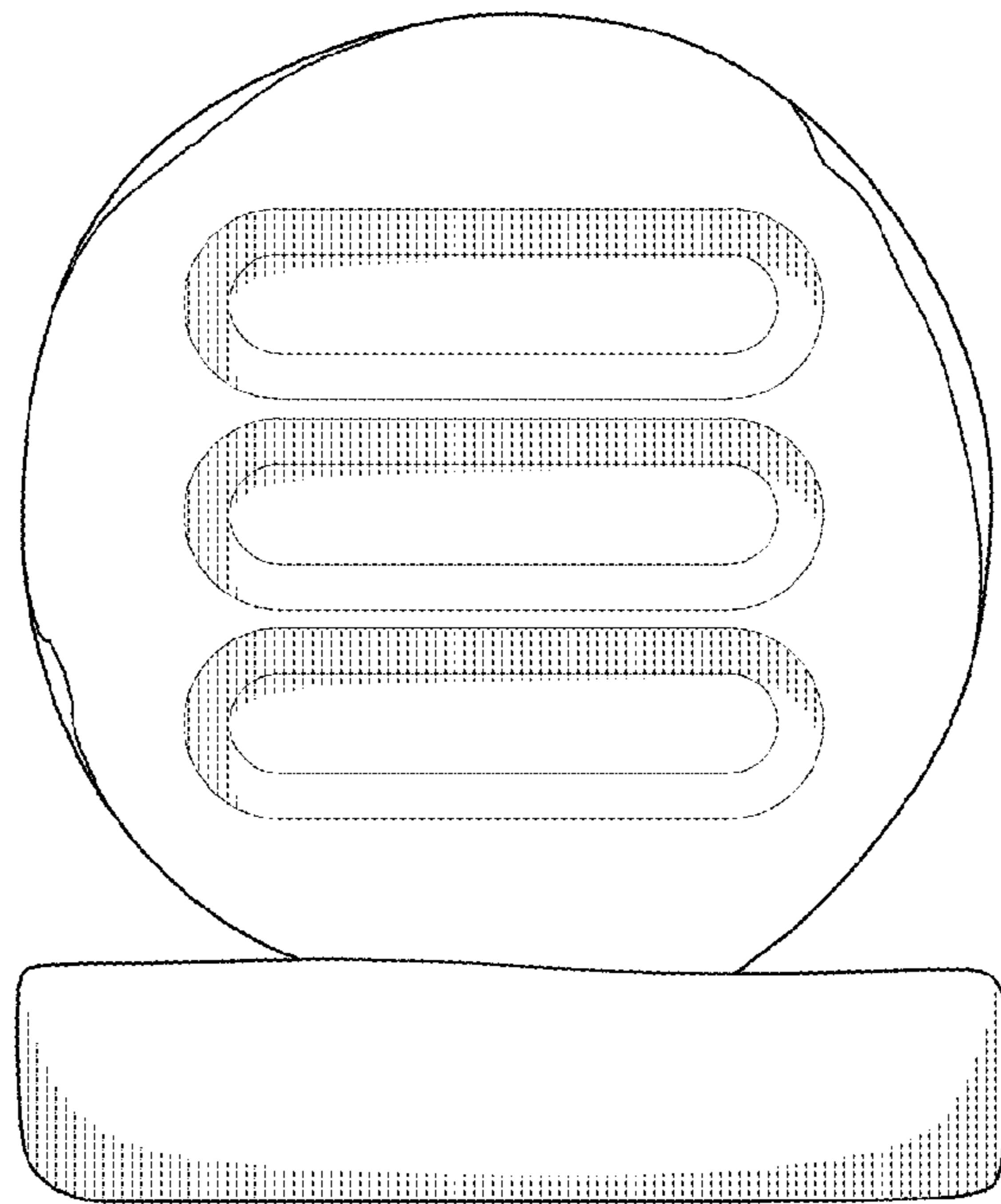


Fig. 2

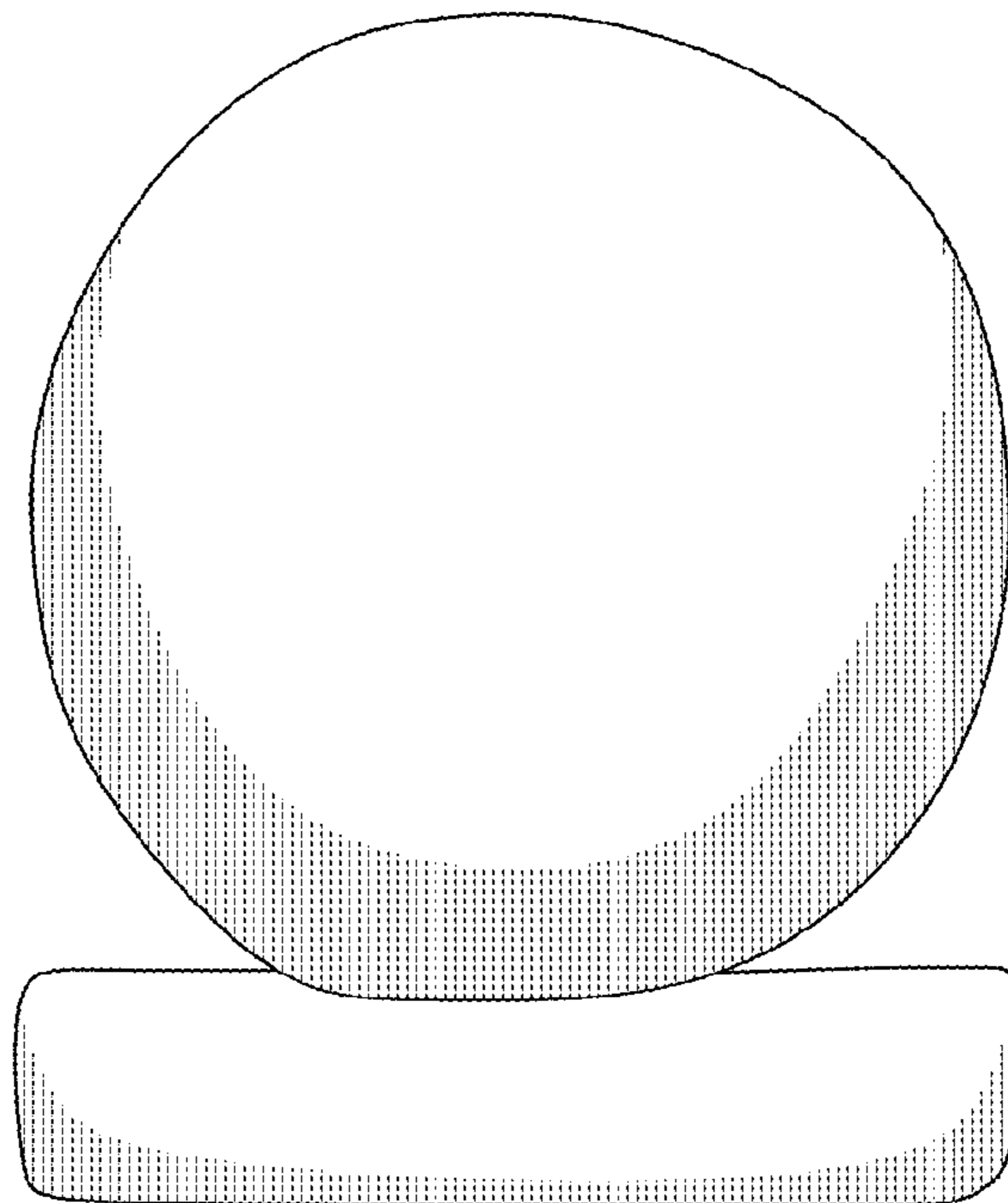


Fig. 3

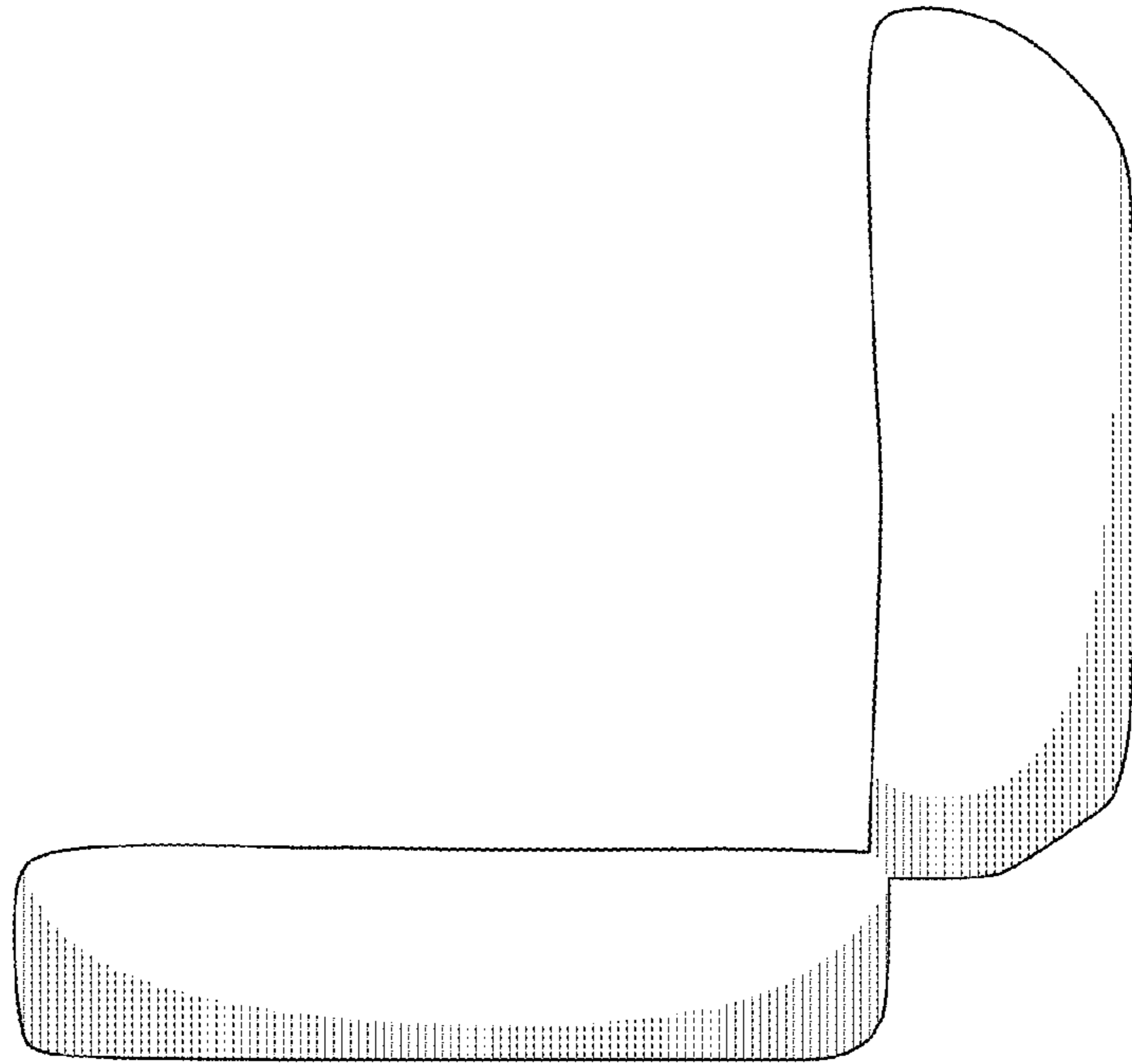


Fig. 4

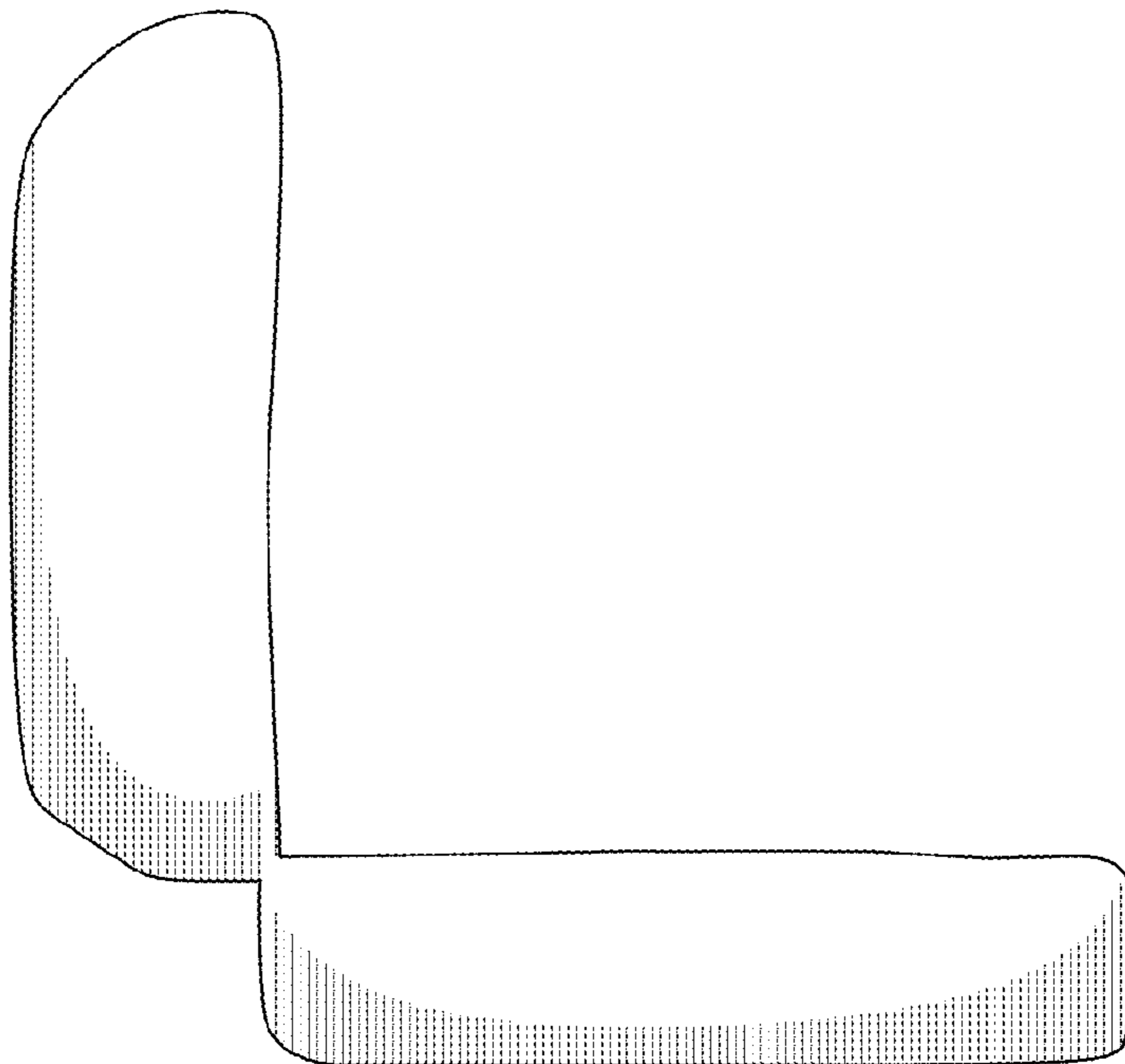


Fig. 5

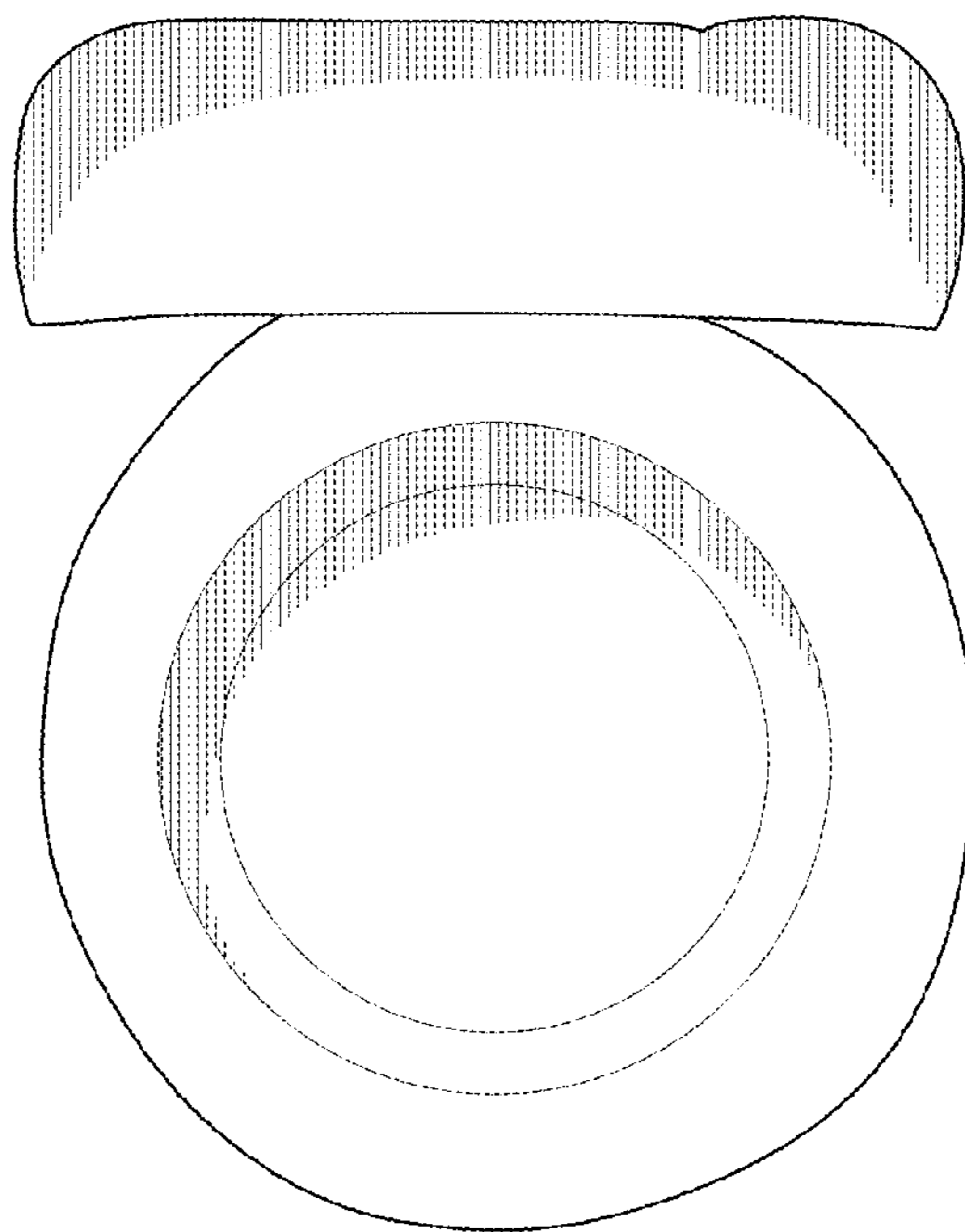


Fig. 6

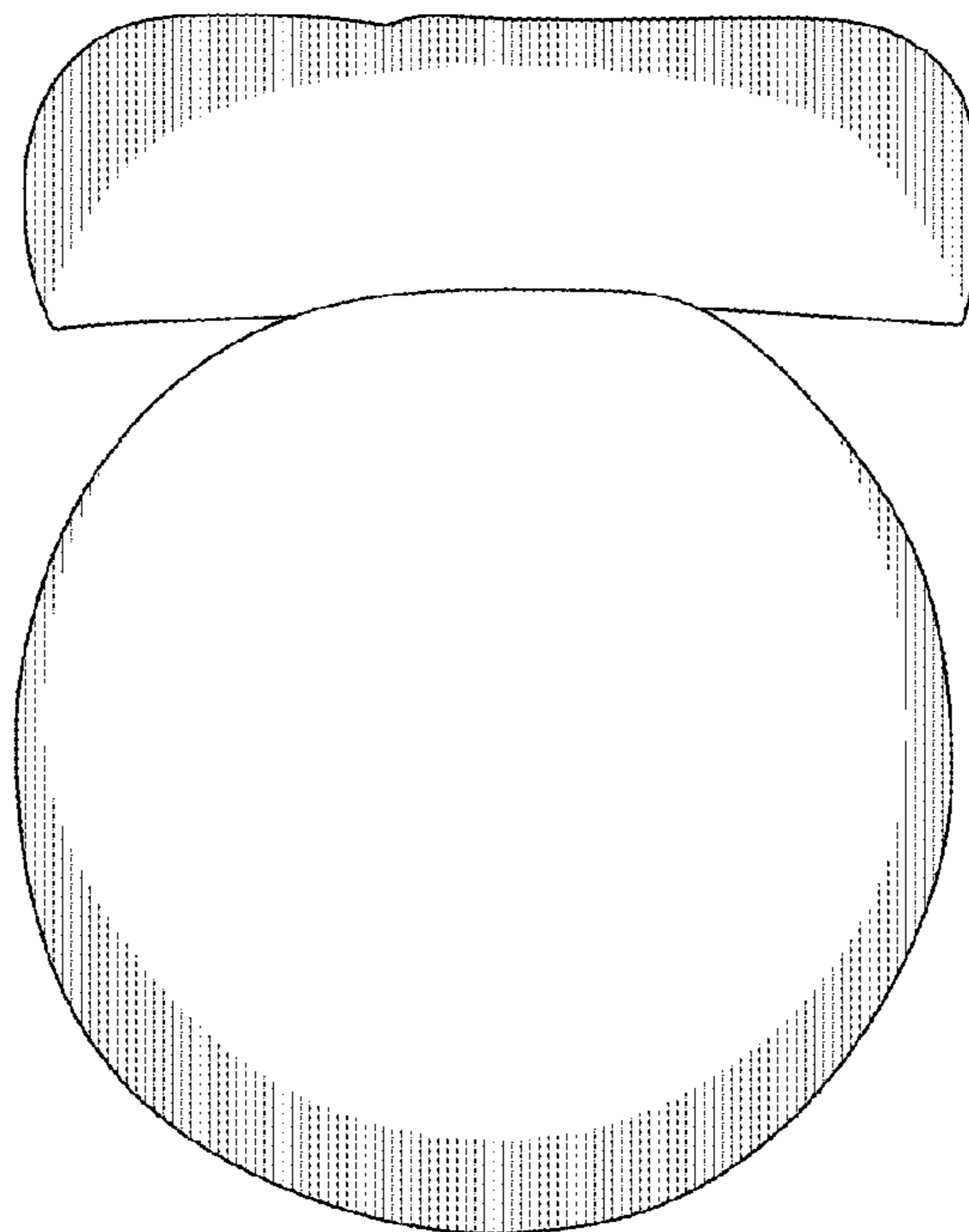


Fig. 7