



US00D727586S

(12) **United States Design Patent**
Garceau

(10) **Patent No.:** **US D727,586 S**
(45) **Date of Patent:** **** Apr. 21, 2015**

(54) **MOUNTING CHANNEL FOR A STABILIZER JACK**

(71) Applicant: **Norco Industries, Inc.**, Compton, CA (US)

(72) Inventor: **Bernard F. Garceau**, Vandalia, MI (US)

(73) Assignee: **Norco Industries, Inc.**, Compton, CA (US)

(**) Term: **14 Years**

(21) Appl. No.: **29/435,651**

(22) Filed: **Oct. 26, 2012**

(51) **LOC (10) Cl.** **12-05**

(52) **U.S. Cl.**
USPC **D34/31**

(58) **Field of Classification Search**
CPC B66F 5/04; B66F 1/08; B66F 5/00;
B66F 13/00; B66C 23/48; B66C 23/12;
B60S 9/02; B60S 9/04; B60S 9/06; B60S
9/22; B60S 9/08
USPC D34/28, 31; 254/8 B, 8 R, 11, 84, 93 H,
254/133, 134, 418, 419, 420, 424
See application file for complete search history.

(56) **References Cited**

U.S. PATENT DOCUMENTS

512,585 A	1/1894	King	
1,549,810 A	8/1925	Sauer	
1,844,585 A	2/1932	Manley	
1,930,802 A	10/1933	Hamilton	
D124,814 S	1/1941	Dressler	
2,230,250 A *	2/1941	Jackson	254/9 B
2,358,488 A	9/1944	Black	
2,404,577 A	7/1946	Jackson	
2,519,364 A	8/1950	Fredholm	
2,575,160 A	11/1951	Clarke	

2,575,485 A	11/1951	Bramble
2,672,318 A	3/1954	Lee
3,096,065 A	7/1963	Horn
3,236,501 A	2/1966	McKay
3,345,038 A	10/1967	George
3,355,136 A	11/1967	Staples
3,448,998 A	6/1969	Abolins
3,475,008 A	10/1969	Taylor
3,489,428 A	1/1970	Hunter et al.
3,537,724 A	11/1970	Matthews
3,565,396 A	2/1971	Spear
3,642,242 A	2/1972	Danekas
3,656,778 A	4/1972	Bristol
3,658,359 A	4/1972	Clafin

(Continued)

FOREIGN PATENT DOCUMENTS

DE	828047 C	1/1952
FR	1025017 A	4/1953

(Continued)

OTHER PUBLICATIONS

Bernard F. Garceau; Stabilizer Jack; U.S. Appl. No. 13/662,302, filed Oct. 26, 2012.

Primary Examiner — Cynthia Ramirez

(74) *Attorney, Agent, or Firm* — Hahn, Loeser & Parks LLP

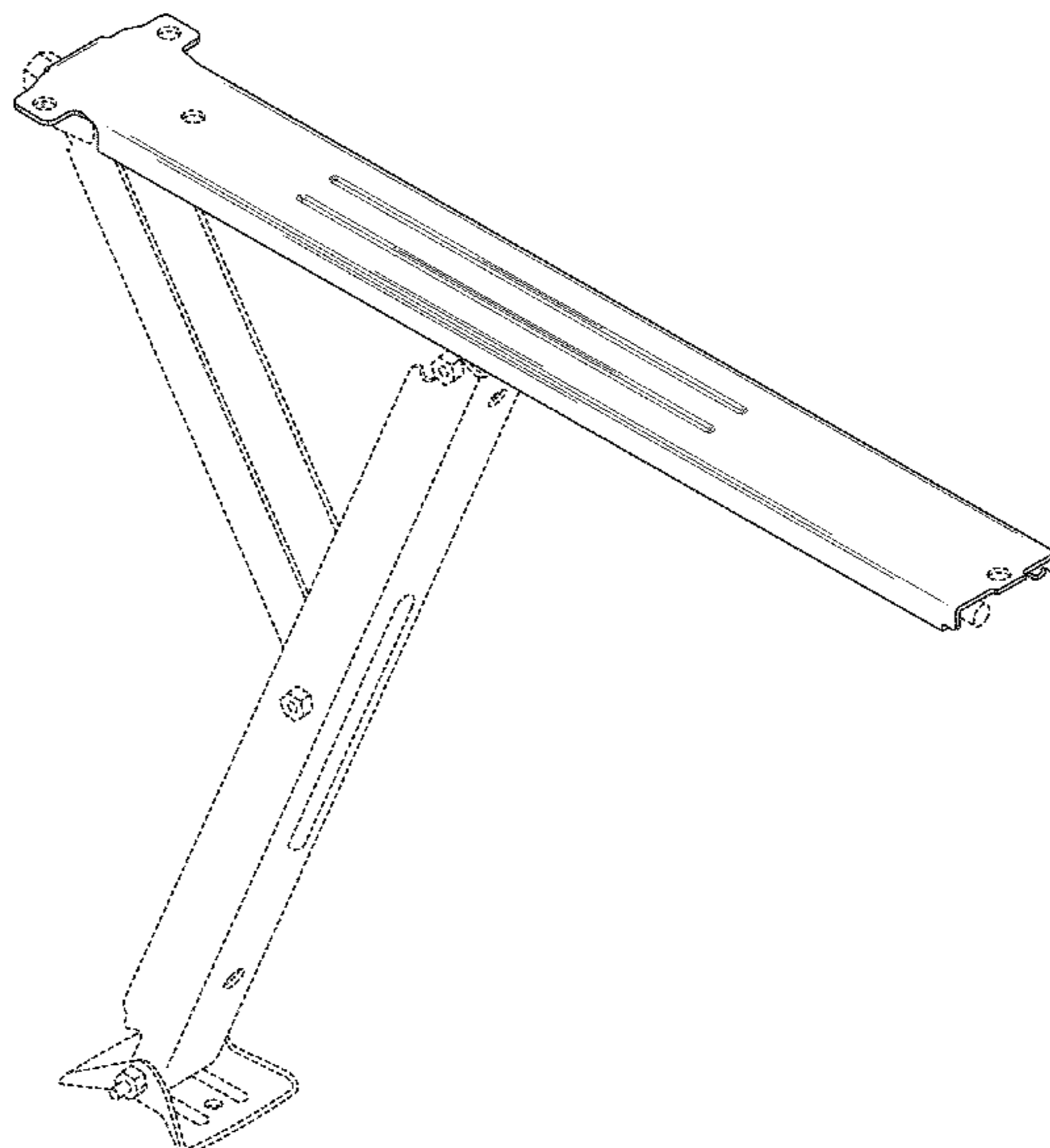
(57) **CLAIM**

The ornamental design for a mounting channel for a stabilizer jack, as shown and described.

DESCRIPTION

FIG. 1 is a front perspective view of a mounting channel for a stabilizer jack;
FIG. 2 is a top perspective view thereof; and,
FIG. 3 is an front end view thereof.
In the drawings, the broken lines depict portions of the design that form no part of the claimed design.

1 Claim, 3 Drawing Sheets



(56)

References Cited

U.S. PATENT DOCUMENTS

3,667,730 A 6/1972 Kollmar
 3,692,329 A 9/1972 Conner
 D226,444 S * 3/1973 Granger D34/31
 3,722,948 A 3/1973 Walsh et al.
 3,758,076 A * 9/1973 Tranchero 254/8 R
 3,767,226 A 10/1973 Stephens
 3,801,128 A 4/1974 Herndon
 3,825,279 A 7/1974 Schmeichel
 3,826,450 A 7/1974 Currey et al.
 3,826,470 A 7/1974 Spear
 3,854,750 A 12/1974 Voehringer, Jr.
 3,870,276 A 3/1975 Phillips et al.
 3,904,224 A 9/1975 Belke et al.
 3,967,814 A 7/1976 Leibundgut
 3,989,277 A 11/1976 Stahl
 4,070,041 A 1/1978 Brammer
 4,103,869 A 8/1978 Mesny
 4,127,255 A 11/1978 Wooding
 4,146,250 A 3/1979 DenHerder
 4,148,162 A 4/1979 Goodrich
 4,245,855 A 1/1981 Larson
 4,268,066 A 5/1981 Davis
 4,277,048 A 7/1981 Okuda et al.
 4,289,300 A 9/1981 Weisser
 D266,197 S 9/1982 Colton
 4,690,378 A 9/1987 Jarman et al.
 4,708,362 A 11/1987 Raetz
 4,824,136 A 4/1989 Baxter
 4,905,953 A 3/1990 Wilson
 4,993,677 A 2/1991 Patterson
 5,042,779 A 8/1991 Eden
 5,065,983 A 11/1991 Slay

5,137,297 A 8/1992 Walker
 5,190,265 A 3/1993 Barry et al.
 5,199,687 A 4/1993 Maurer
 5,205,586 A 4/1993 Tallman
 D349,801 S 8/1994 Few et al.
 5,348,330 A 9/1994 Few et al.
 D357,788 S 4/1995 Everett
 D364,259 S * 11/1995 Garceau D34/31
 5,474,330 A 12/1995 Meehleder
 5,501,428 A 3/1996 Garceau
 5,901,980 A 5/1999 Few et al.
 6,102,438 A 8/2000 Few et al.
 D431,707 S 10/2000 Few
 6,224,102 B1 5/2001 Nebel
 D447,309 S * 8/2001 Wilson D34/31
 6,494,487 B1 12/2002 Nebel
 D538,003 S * 3/2007 Barnett D34/31
 D539,003 S * 3/2007 Abbey D34/31
 7,249,754 B2 7/2007 Garceau et al.
 D592,822 S * 5/2009 Boucher et al. D34/31
 D624,272 S * 9/2010 Gudiksen D34/31
 D636,297 S * 4/2011 Wu et al. D12/106
 8,052,125 B2 * 11/2011 Garceau 254/418
 2003/0218157 A1 * 11/2003 Arzouman 254/8 B
 2005/0285090 A1 * 12/2005 Garceau et al. 254/418
 2014/0103183 A1 * 4/2014 Lokhande et al. 248/352
 2014/0117297 A1 * 5/2014 Garceau 254/424

FOREIGN PATENT DOCUMENTS

GB 107902 A 7/1917
 GB 116948 A 7/1918
 GB 437831 A 11/1935

* cited by examiner

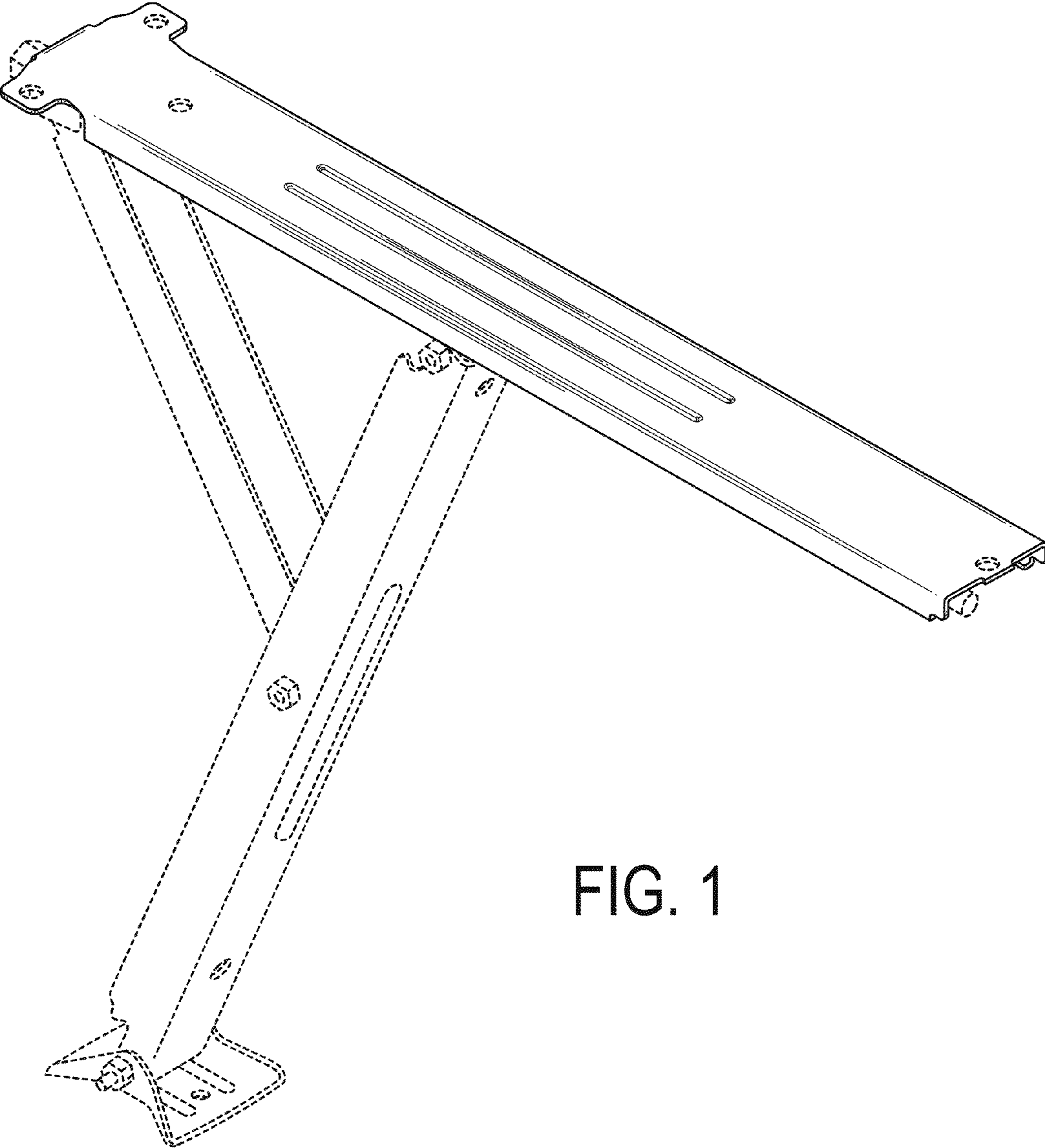


FIG. 1

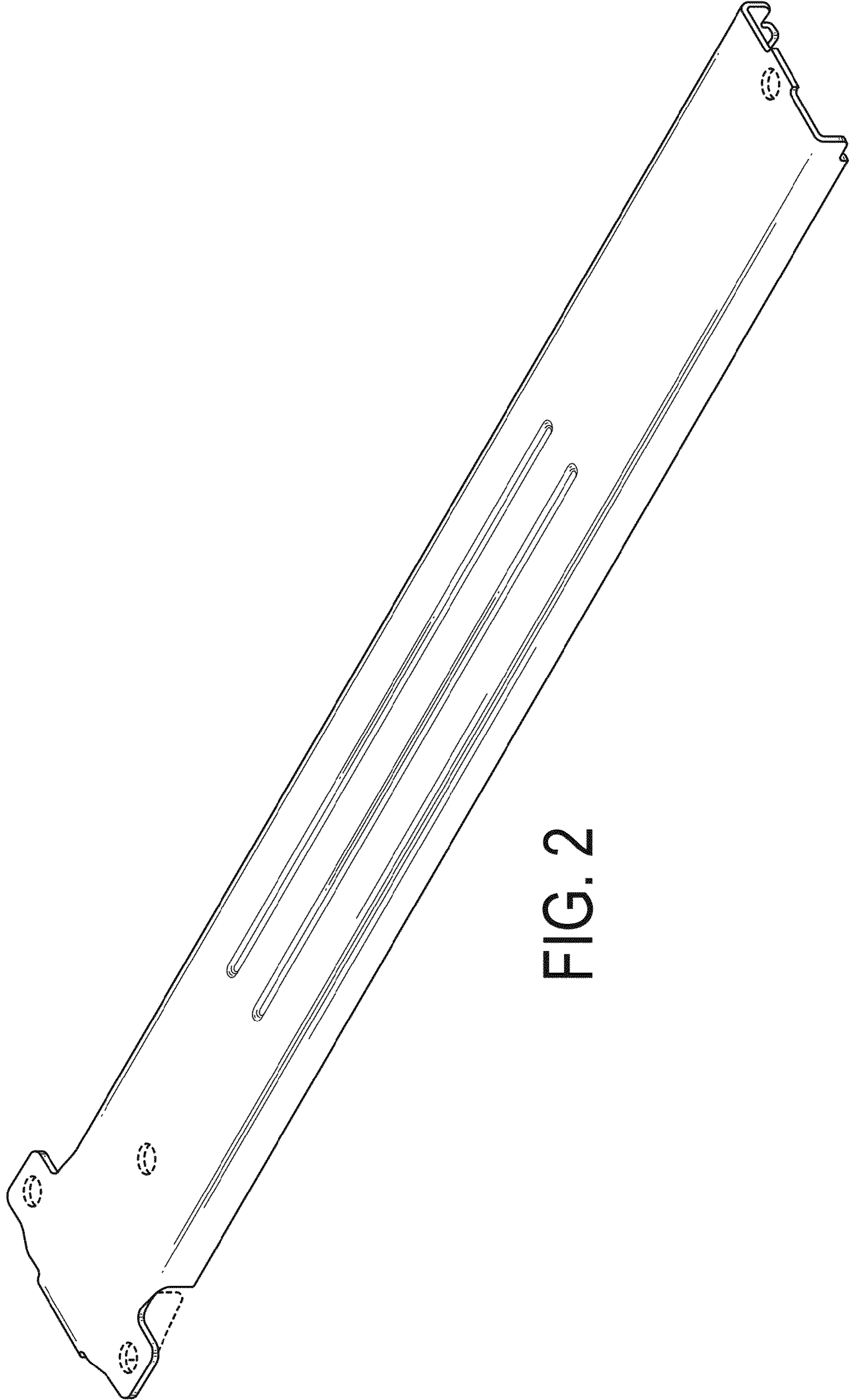


FIG. 2

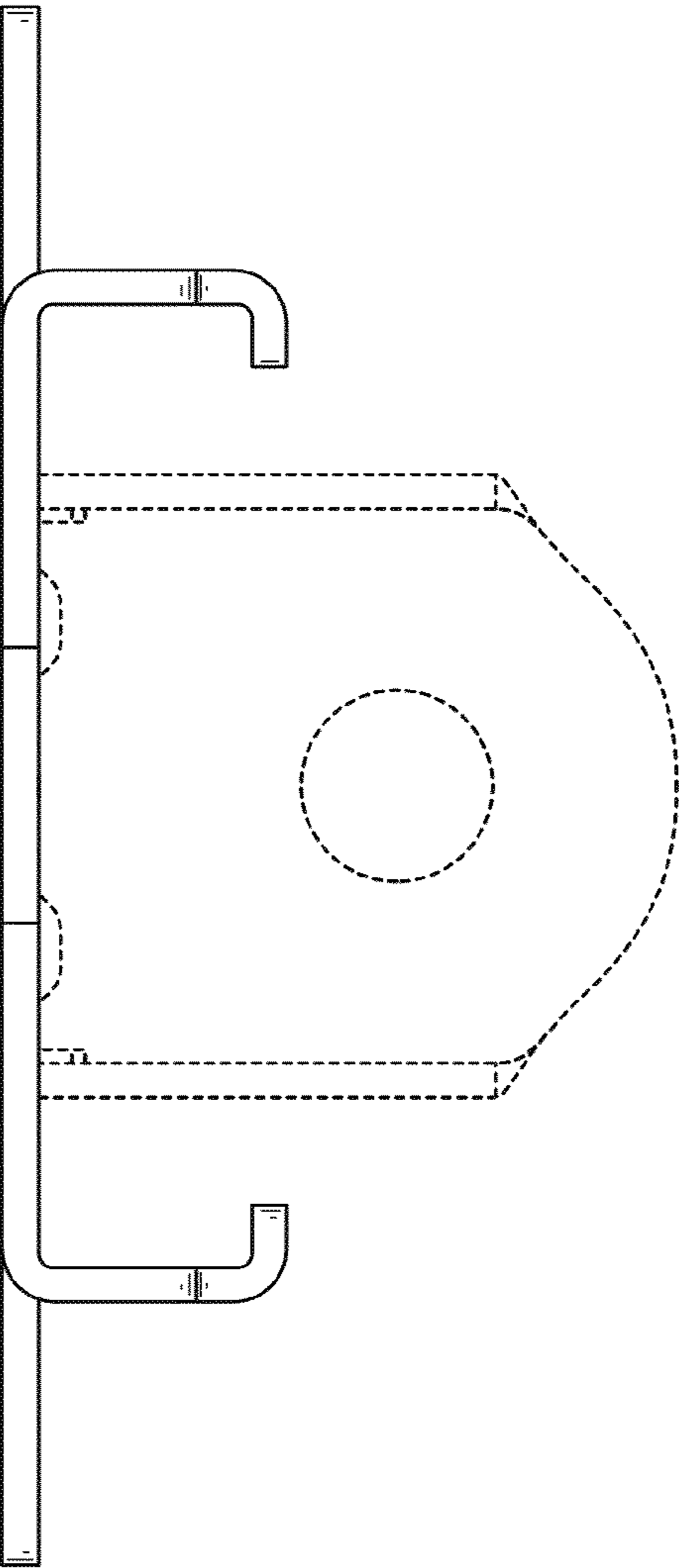


FIG. 3