



US00D727585S

(12) **United States Design Patent**  
**Busch**

(10) **Patent No.:** **US D727,585 S**

(45) **Date of Patent:** **\*\* Apr. 21, 2015**

(54) **CONTAINER LID**

*Primary Examiner* — Cynthia Ramirez

(71) Applicant: **Busch Systems International Inc.**,  
Barrie (CA)

(74) *Attorney, Agent, or Firm* — Senniger Powers LLP

(72) Inventor: **Craig Busch**, Barrie (CA)

(57) **CLAIM**

(73) Assignee: **Busch Systems International**, Barrie  
(CA)

The ornamental design for a container lid, as shown and described.

(\*\*) Term: **14 Years**

(21) Appl. No.: **29/483,452**

**DESCRIPTION**

(22) Filed: **Feb. 28, 2014**

FIG. 1 is a perspective view of a container lid showing the design;

(51) **LOC (10) Cl.** ..... **09-09**

FIG. 2 is a top view thereof;

(52) **U.S. Cl.**

FIG. 3 is a bottom view thereof;

USPC ..... **D34/11**

FIG. 4 is a left side view thereof;

(58) **Field of Classification Search**

USPC ..... D34/1-11; 220/908, 908.1, 625,  
220/DIG. 12, DIG. 14; 280/47.26

FIG. 5 is a right side view thereof;

See application file for complete search history.

FIG. 6 is a rear view thereof;

FIG. 7 is a front view thereof;

FIG. 8 is a perspective view thereof in an open position;

FIG. 9 is a top view thereof in an open position;

FIG. 10 is a side view thereof in an open position; and,

FIG. 11 is a front view thereof in an open position.

The element shown in broken lines in FIG. 3 is to show portions of the container lid and form no part of the claimed design.

(56)

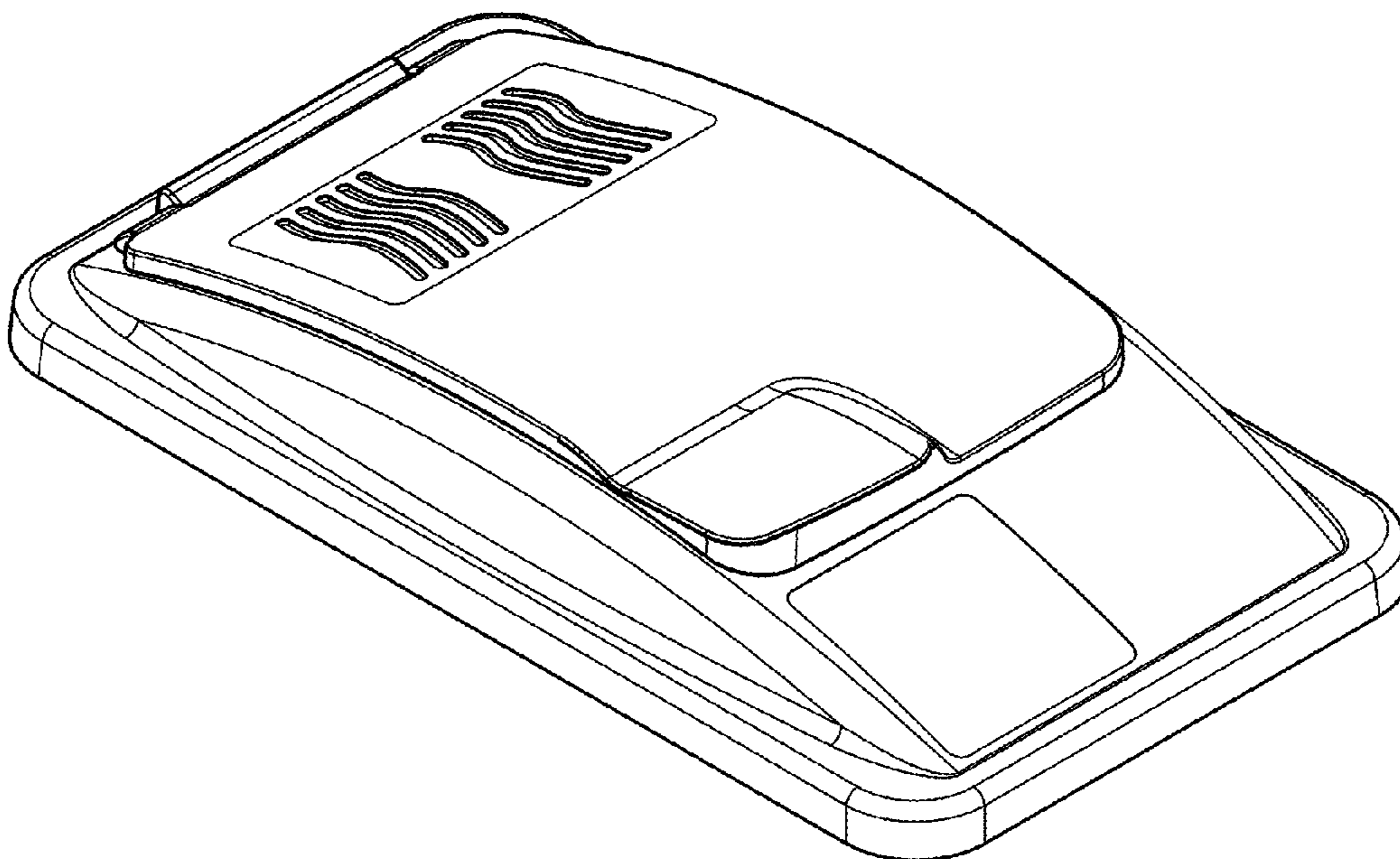
**References Cited**

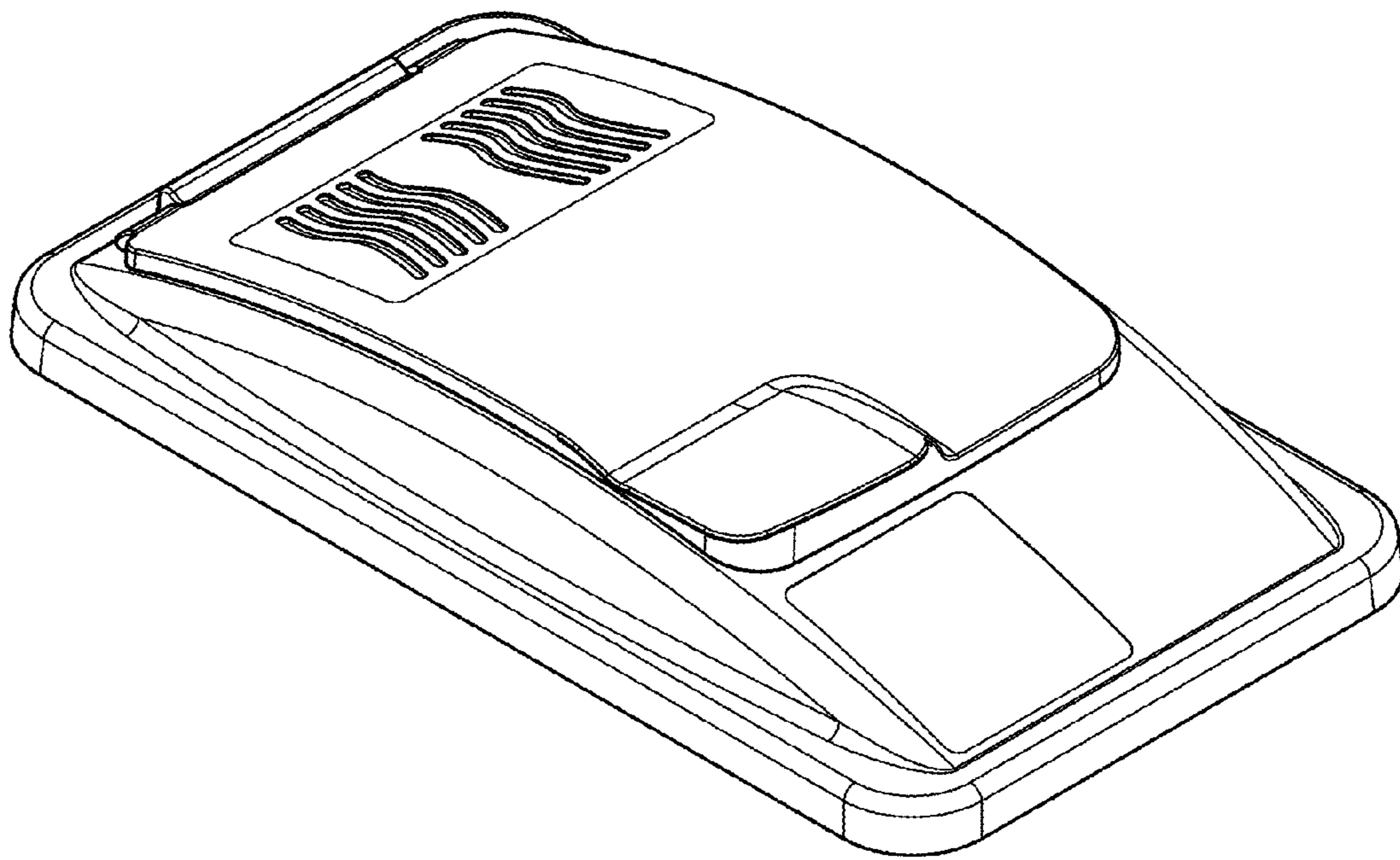
U.S. PATENT DOCUMENTS

D373,876 S *	9/1996	Onken	.....	D34/11
D566,924 S *	4/2008	Shek	.....	D34/11
D707,910 S *	6/2014	Nolet et al.	.....	D34/11
D707,911 S *	6/2014	Nolet et al.	.....	D34/11

\* cited by examiner

**1 Claim, 8 Drawing Sheets**





**FIG. 1**

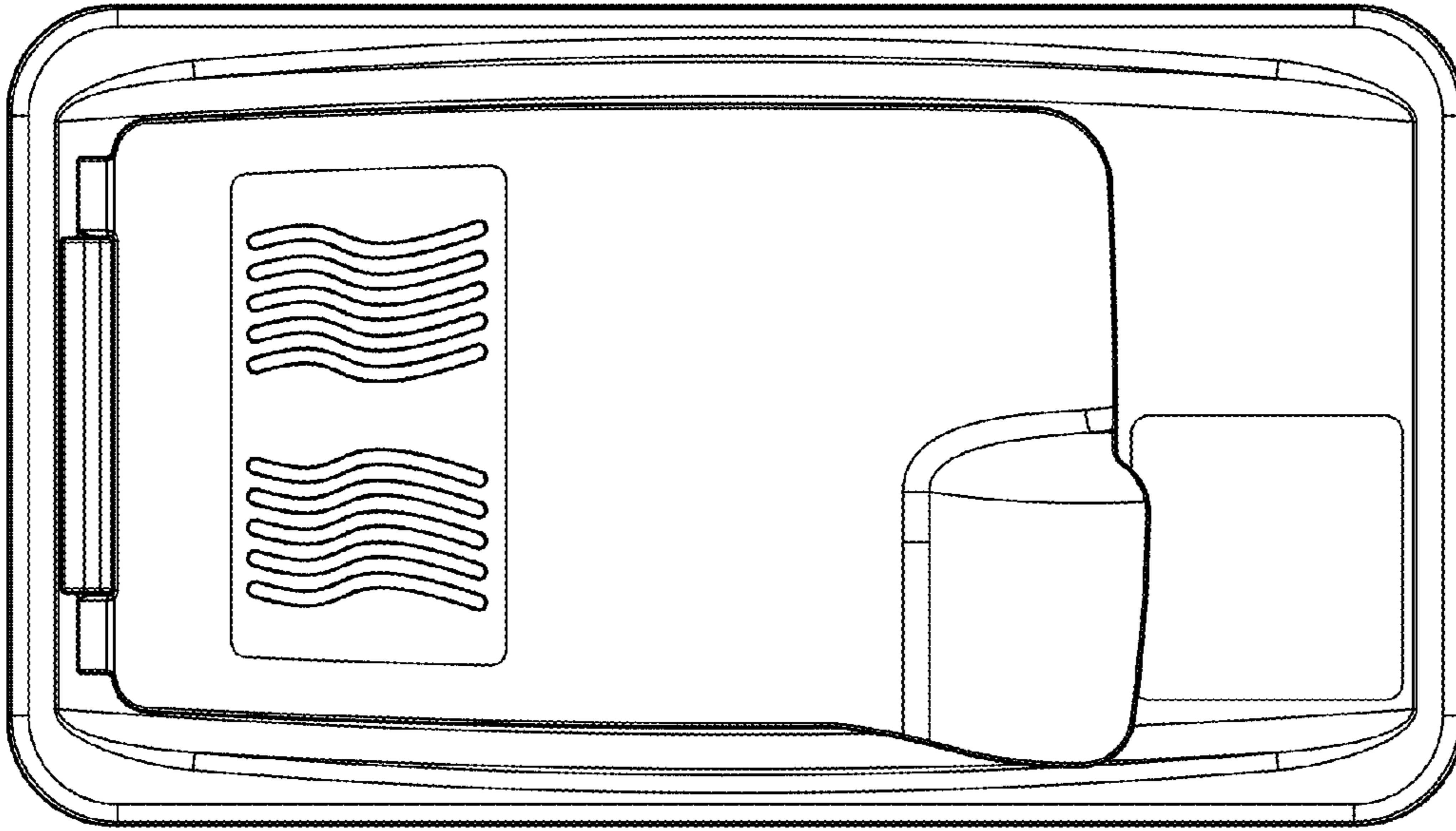


FIG. 2

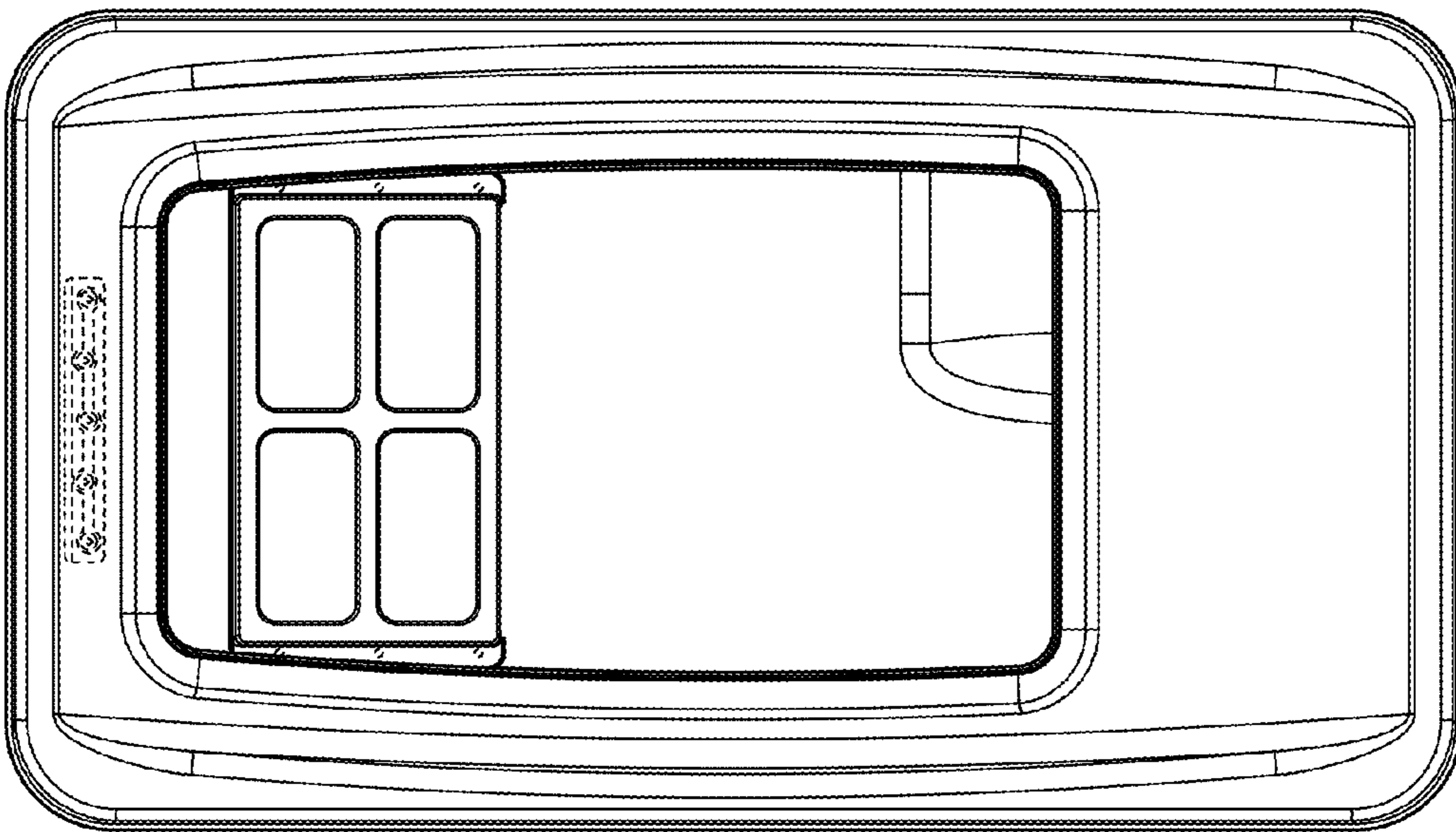


FIG. 3

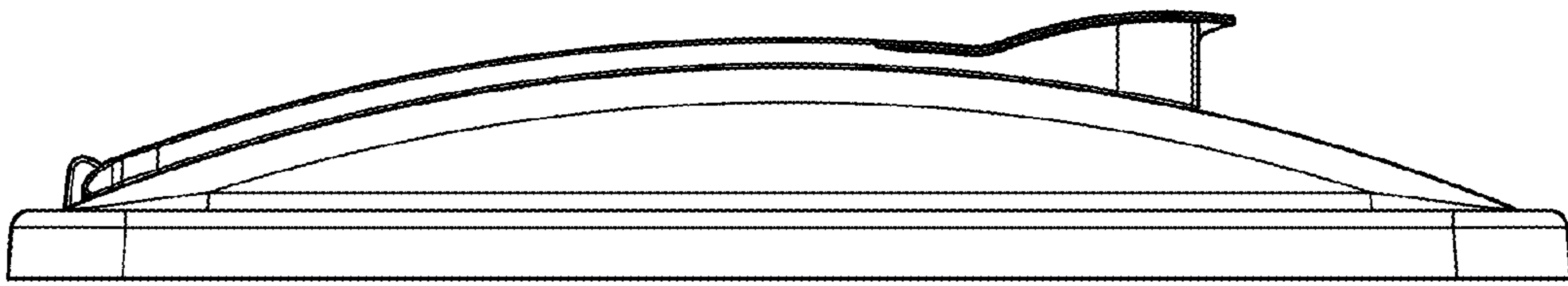


FIG. 4

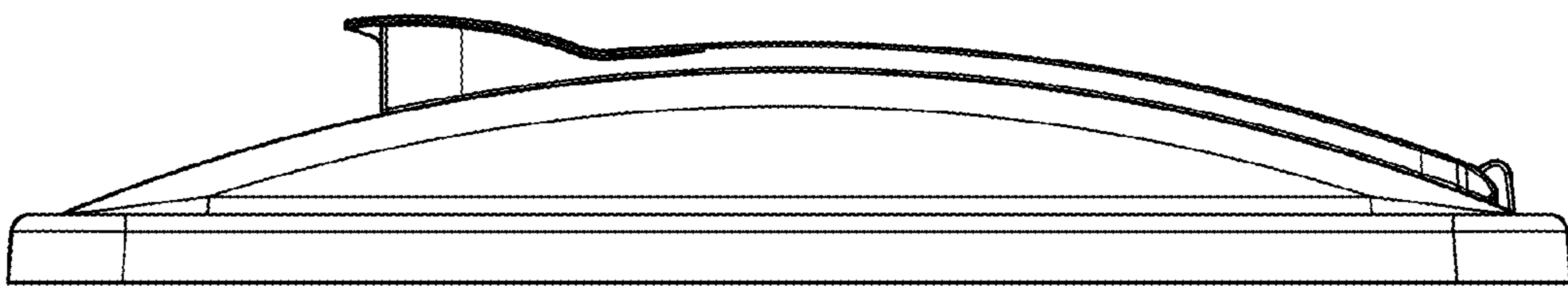
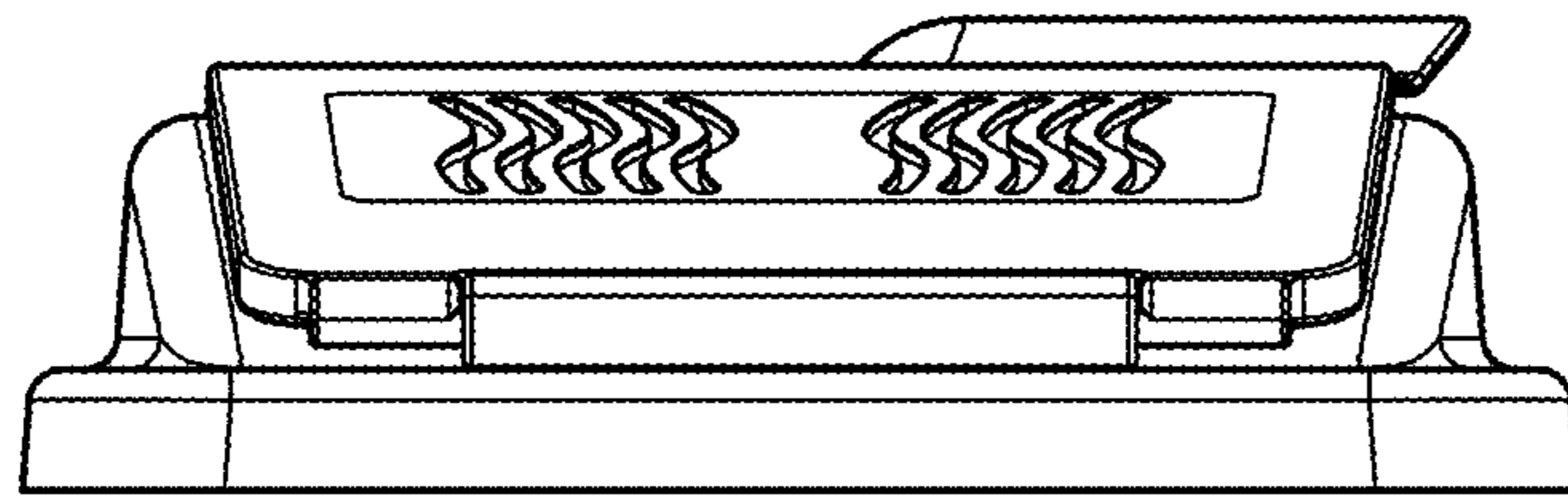
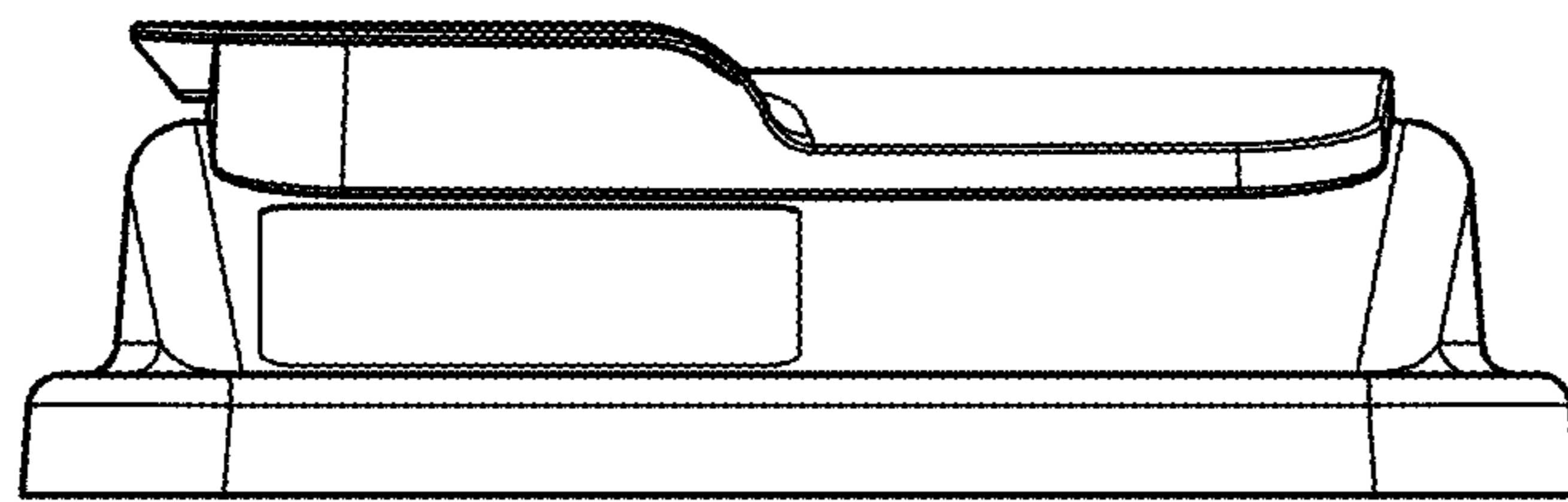


FIG. 5



**FIG. 6**



**FIG. 7**



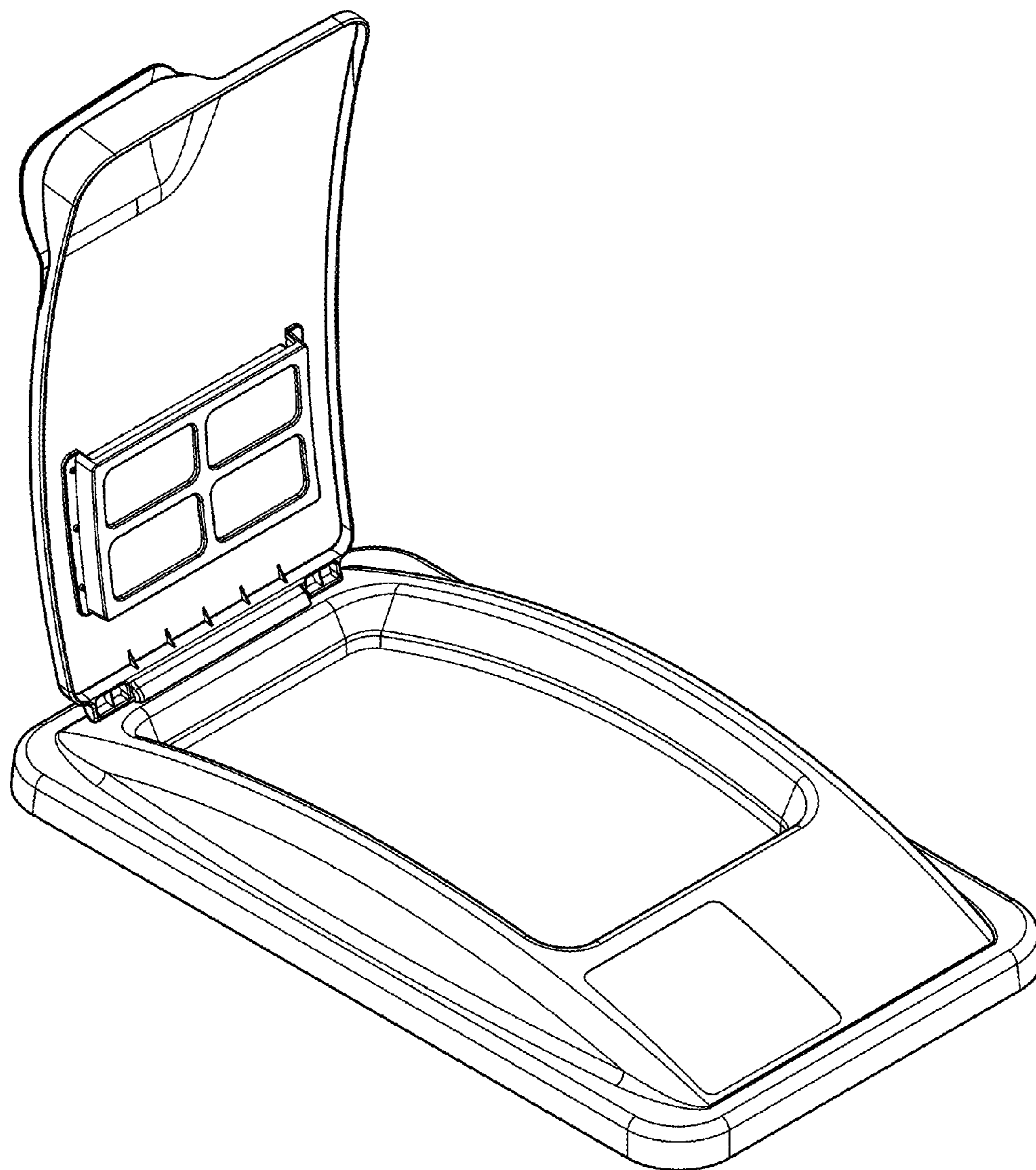
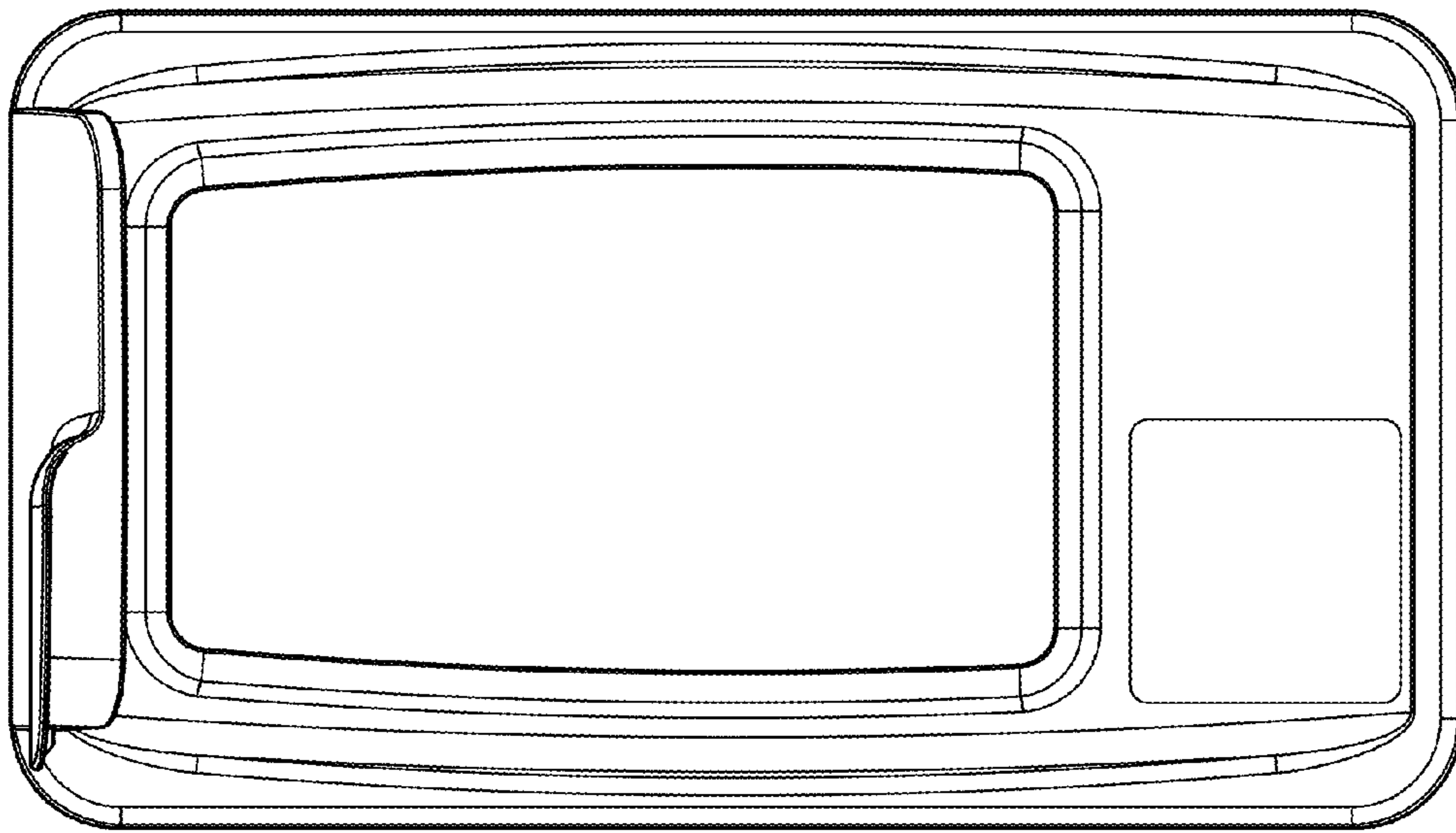


FIG. 8



**FIG. 9**

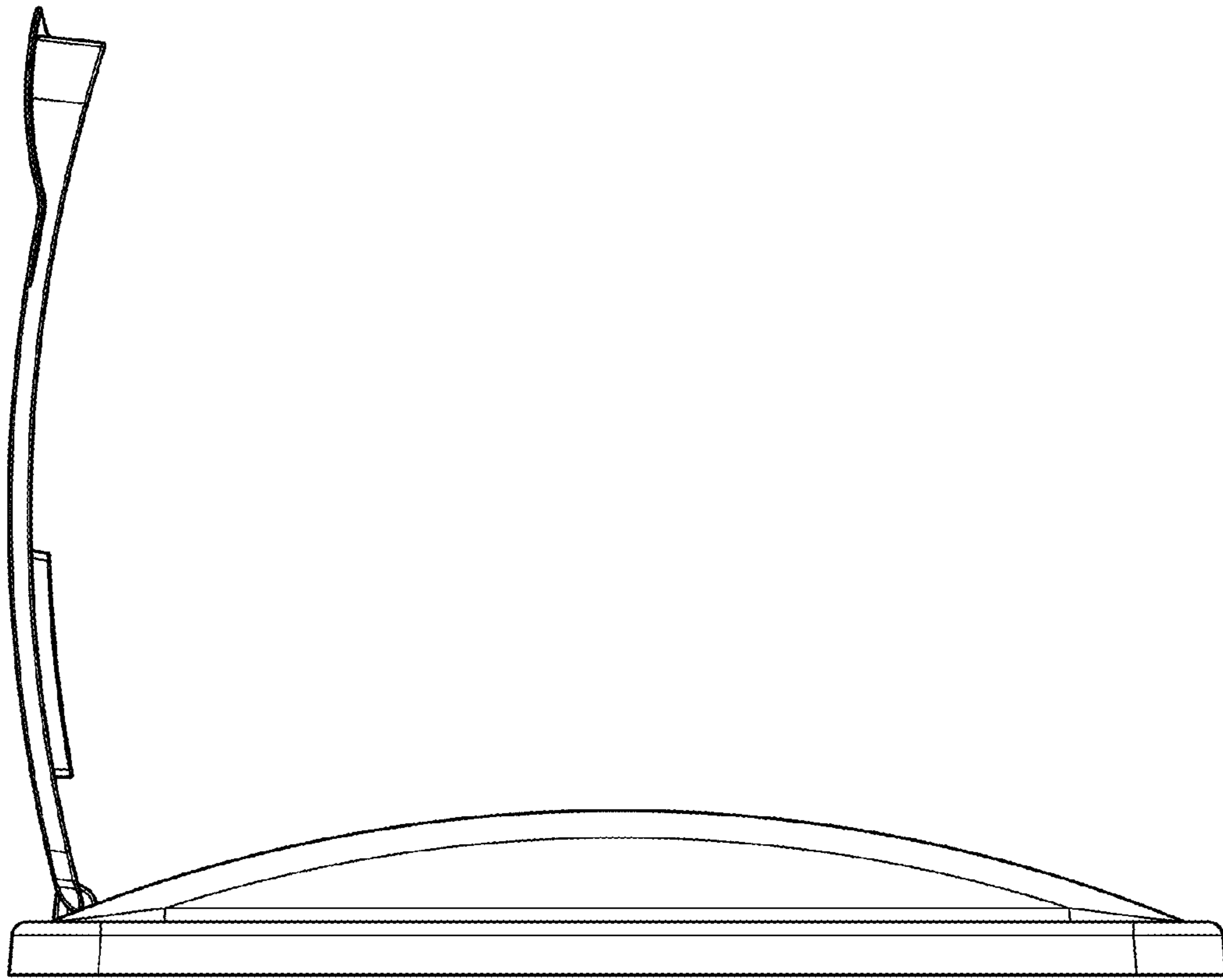


FIG. 10



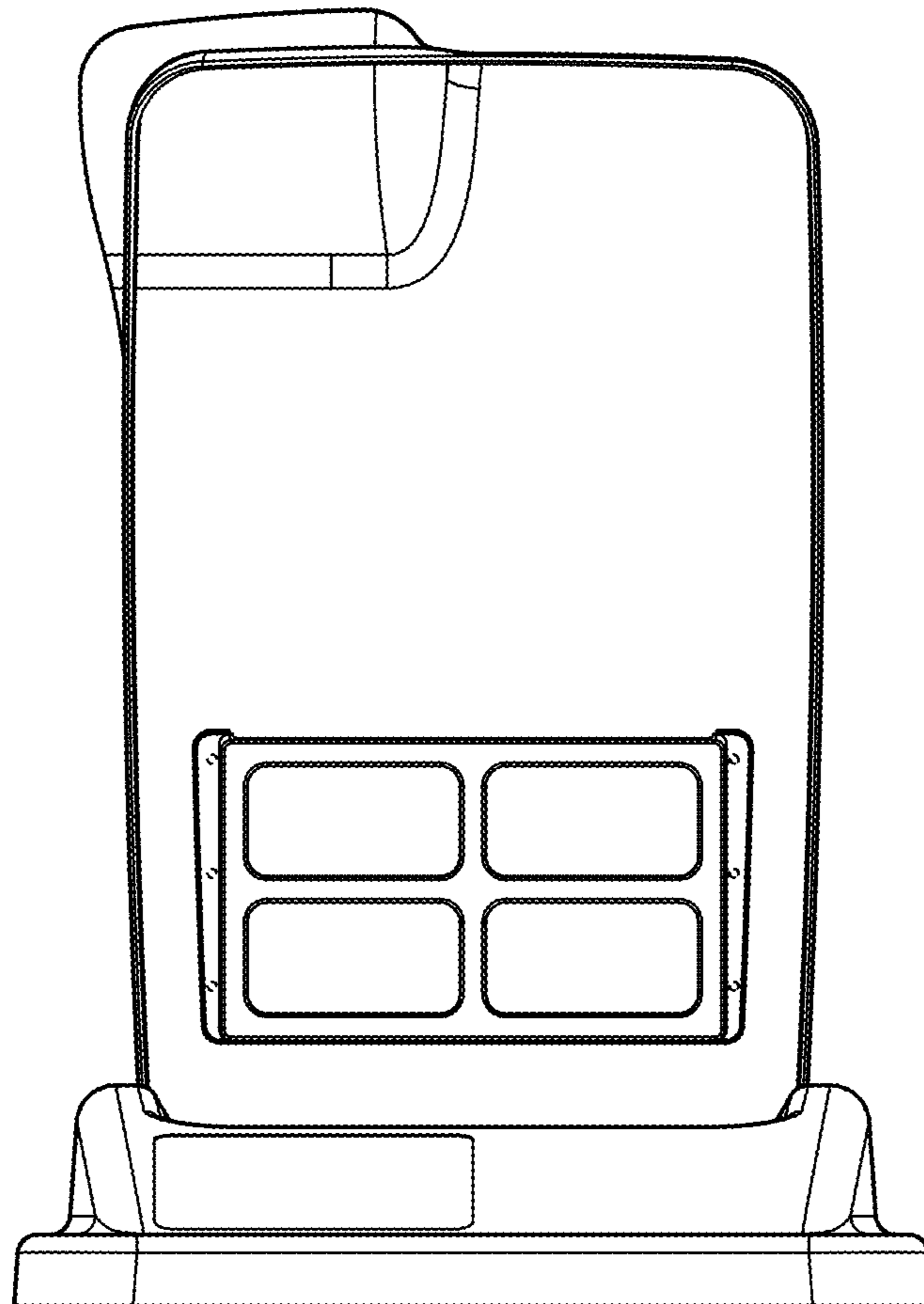


FIG. 11