



US00D727584S

(12) **United States Design Patent**
Busch

(10) **Patent No.:** **US D727,584 S**

(45) **Date of Patent:** **** Apr. 21, 2015**

(54) **RECYCLING CONTAINER**

(74) *Attorney, Agent, or Firm* — Senniger Powers LLP

(71) Applicant: **Busch Systems International Inc.**,
Barrie (CA)

(57) **CLAIM**
The ornamental design for a recycling container, as shown and described.

(72) Inventor: **Craig Busch**, Barrie (CA)

DESCRIPTION

(73) Assignee: **Busch Systems International Inc.**,
Barrie (CA)

(**) Term: **14 Years**

(21) Appl. No.: **29/483,450**

(22) Filed: **Feb. 28, 2014**

(51) **LOC (10) Cl.** **09-09**

(52) **U.S. Cl.**
USPC **D34/7**

(58) **Field of Classification Search**
USPC D34/1–11; 220/908–913
See application file for complete search history.

FIG. 1 is a perspective view of a first embodiment of a recycling container showing the design;
FIG. 2 is a front view thereof;
FIG. 3 is a rear view thereof;
FIG. 4 is a right side view thereof;
FIG. 5 is a left side view thereof;
FIG. 6 is a top view thereof;
FIG. 7 is a bottom view thereof;
FIG. 8 is a perspective view thereof in an open position showing a bin as environment;
FIG. 9 is a perspective view of a second embodiment of a recycling container showing the design;
FIG. 10 is a front view thereof;
FIG. 11 is a rear view thereof;
FIG. 12 is a right side view thereof;
FIG. 13 is a left side view thereof;
FIG. 14 is a top view thereof;
FIG. 15 is a bottom view thereof;
FIG. 16 is a perspective view thereof in an open position showing bins as environment;
FIG. 17 is a perspective view of a third embodiment of a recycling container showing the design;
FIG. 18 is a front view thereof;
FIG. 19 is a rear view thereof;
FIG. 20 is a right side view thereof;
FIG. 21 is a left side view thereof;
FIG. 22 is a top view thereof;
FIG. 23 is a bottom view thereof; and,
FIG. 24 is a perspective view thereof in an open position showing bins as environment.

(56) **References Cited**

U.S. PATENT DOCUMENTS

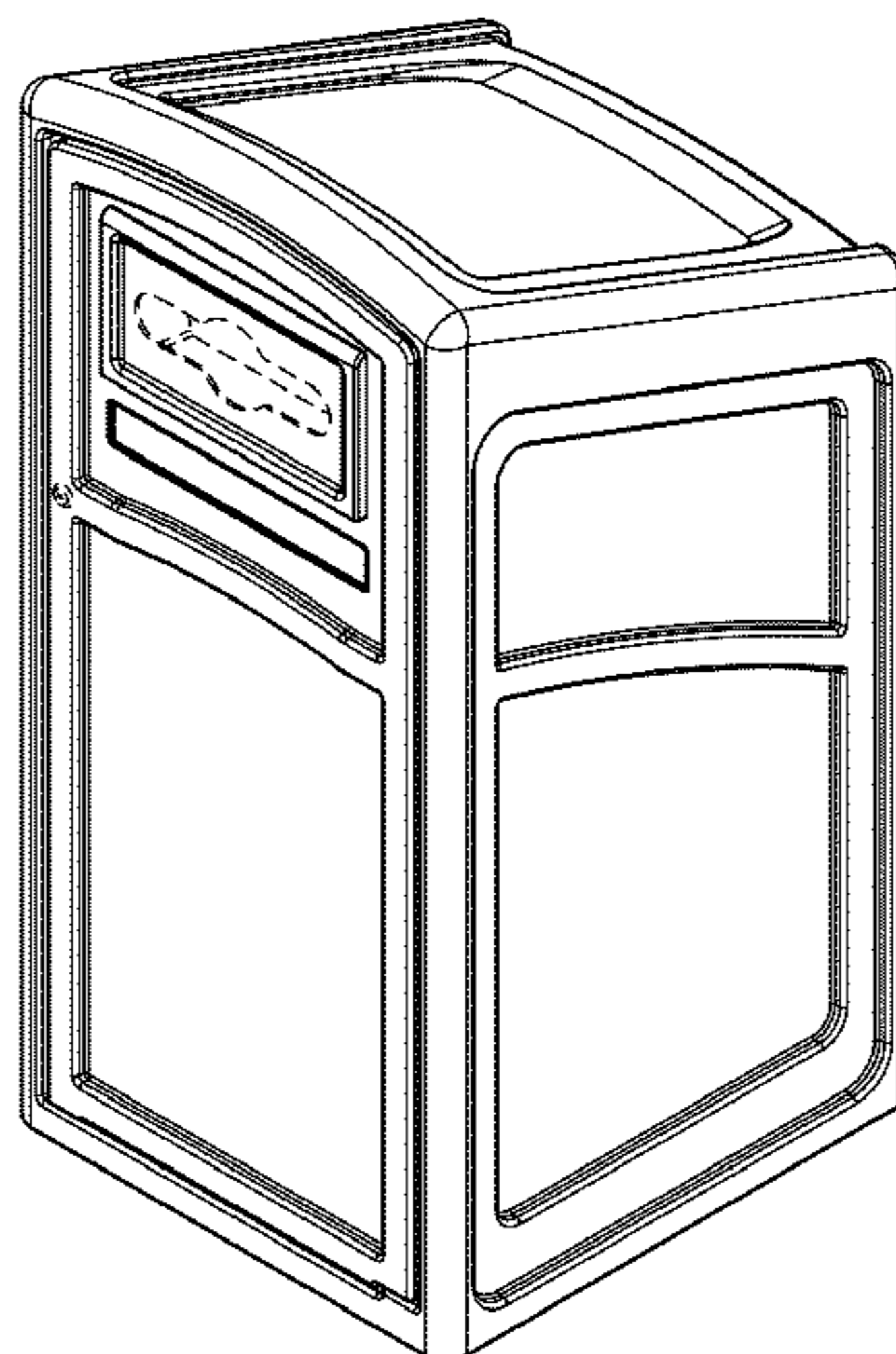
D142,274	S *	8/1945	Kohen	D32/37
3,136,575	A *	6/1964	Kolling	294/68.26
3,451,582	A *	6/1969	Morgan	220/7
3,687,328	A *	8/1972	Spruyt et al.	220/324
D420,479	S *	2/2000	Delmerico	D34/1
6,176,388	B1 *	1/2001	Orndorff	220/662
D446,373	S *	8/2001	Weiss et al.	D34/1
7,073,677	B2 *	7/2006	Richardson et al.	220/4.32
D644,391	S *	8/2011	Kopp et al.	D34/7
D660,539	S *	5/2012	Sheehan	D34/7
D684,332	S *	6/2013	Gollob	D34/1
8,544,673	B1 *	10/2013	Polk	220/495.09
D714,009	S *	9/2014	Phillips et al.	D34/7

* cited by examiner

The broken lines shown in the figures are included for the purpose of illustrating environment and form no part of the claimed design.

Primary Examiner — Cynthia Ramirez

1 Claim, 17 Drawing Sheets



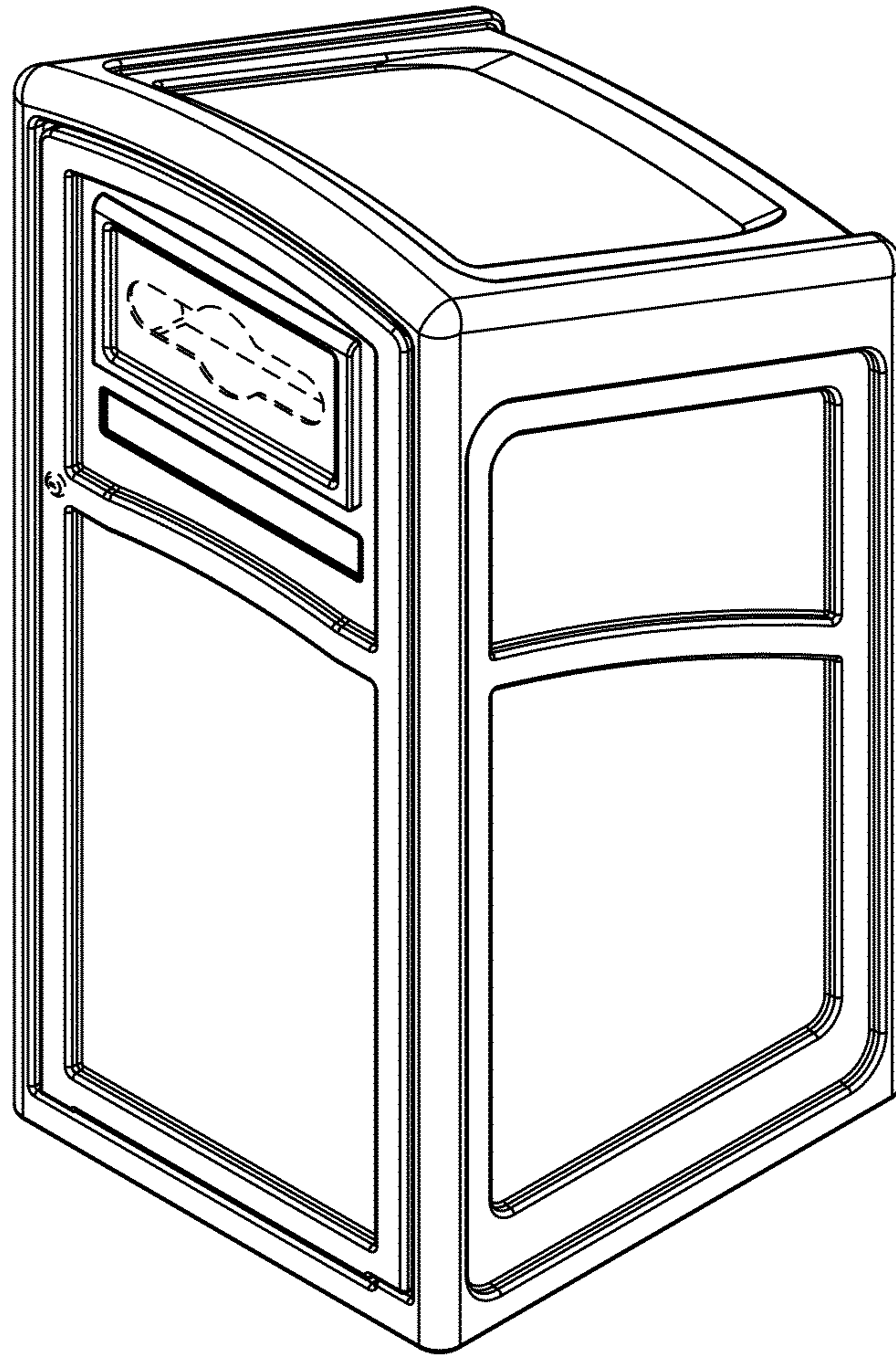


FIG. 1

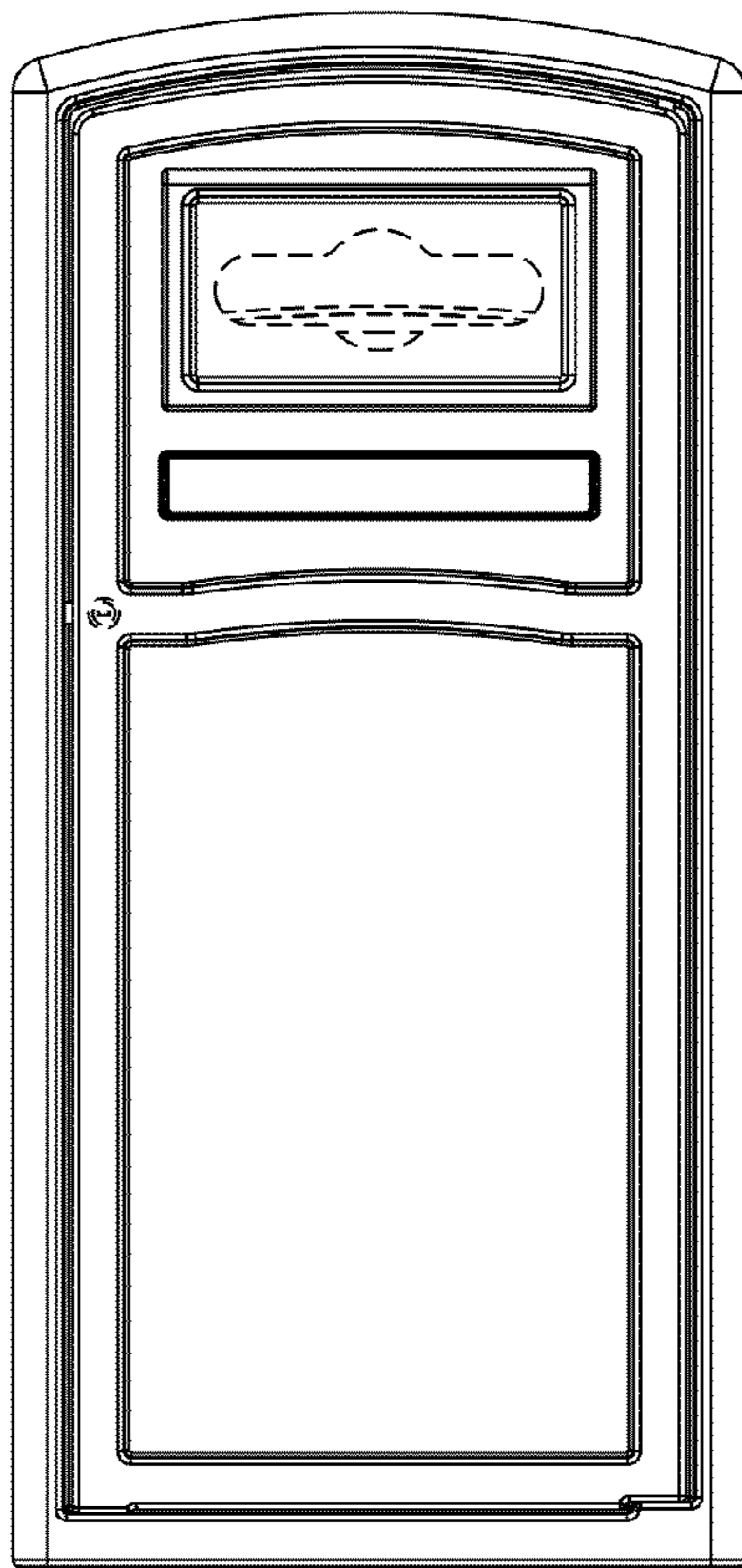


FIG. 2

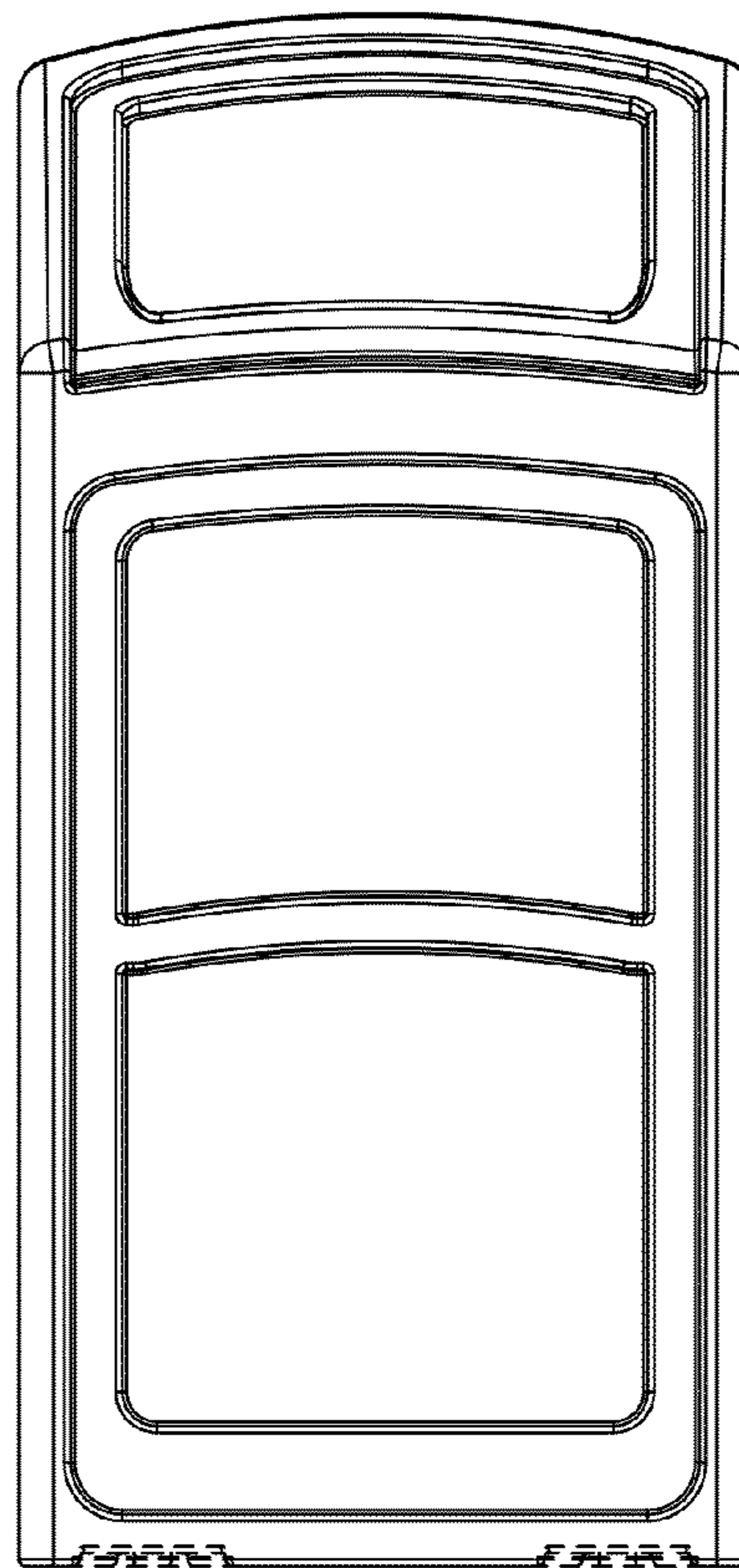


FIG. 3

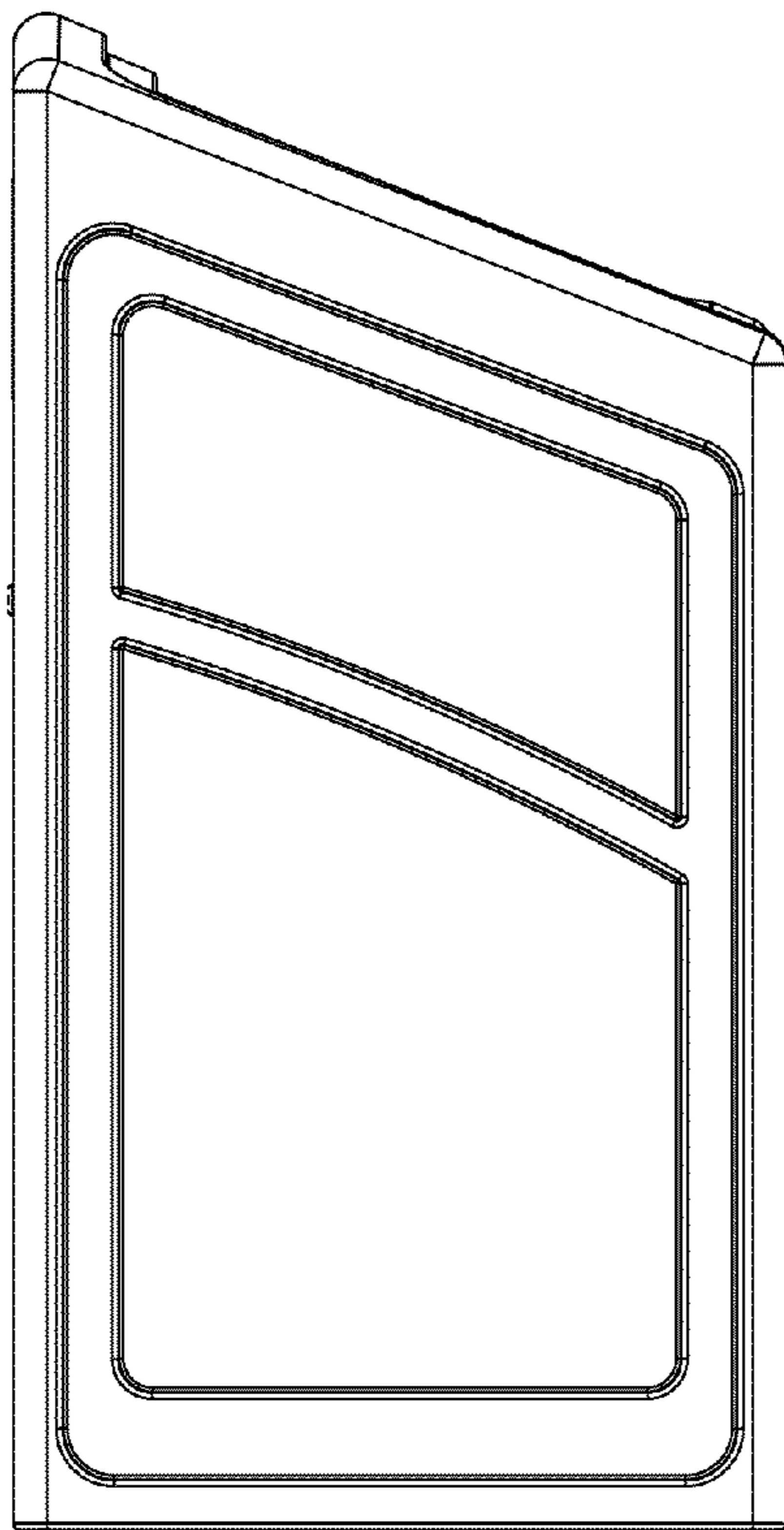


FIG. 4

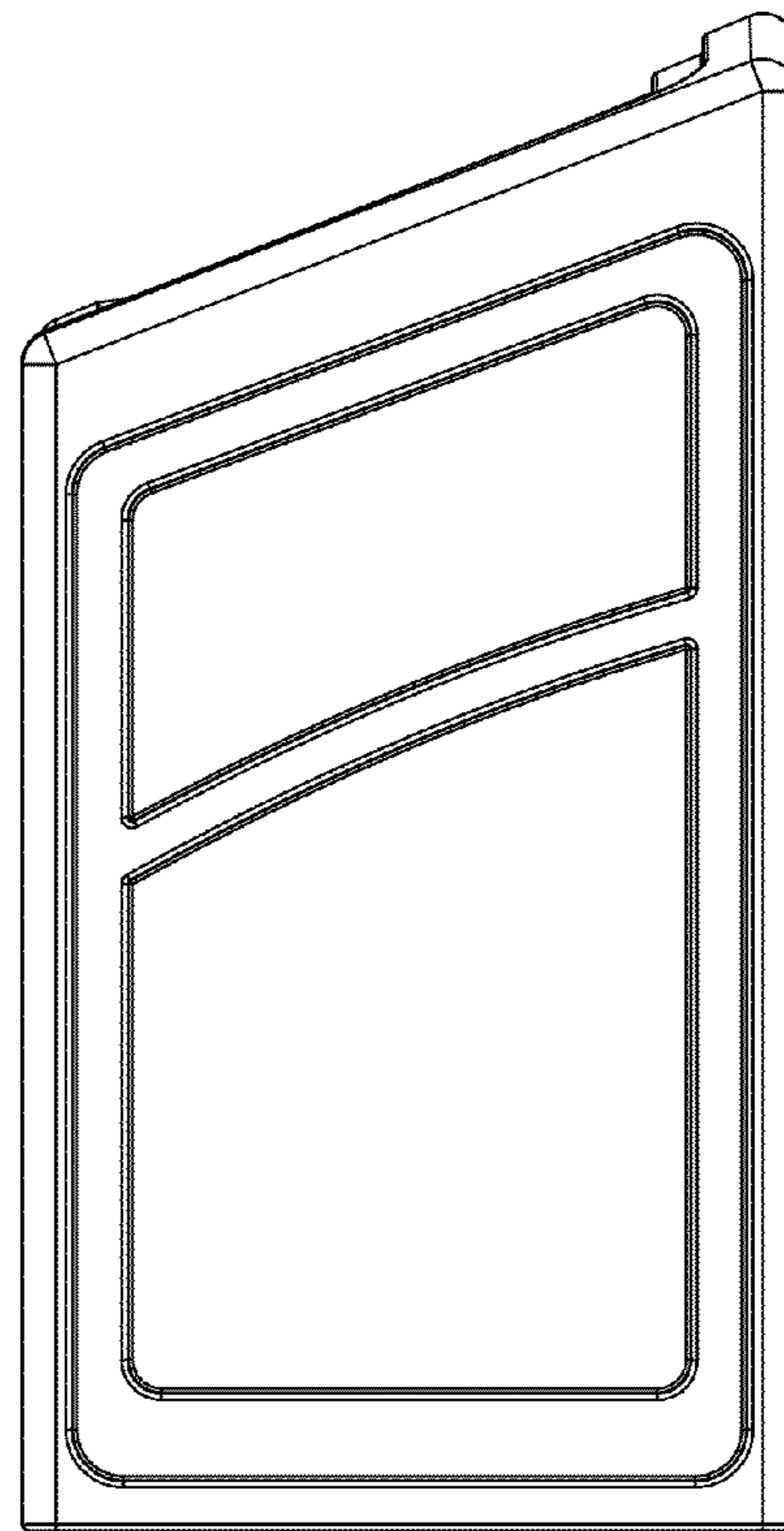


FIG. 5

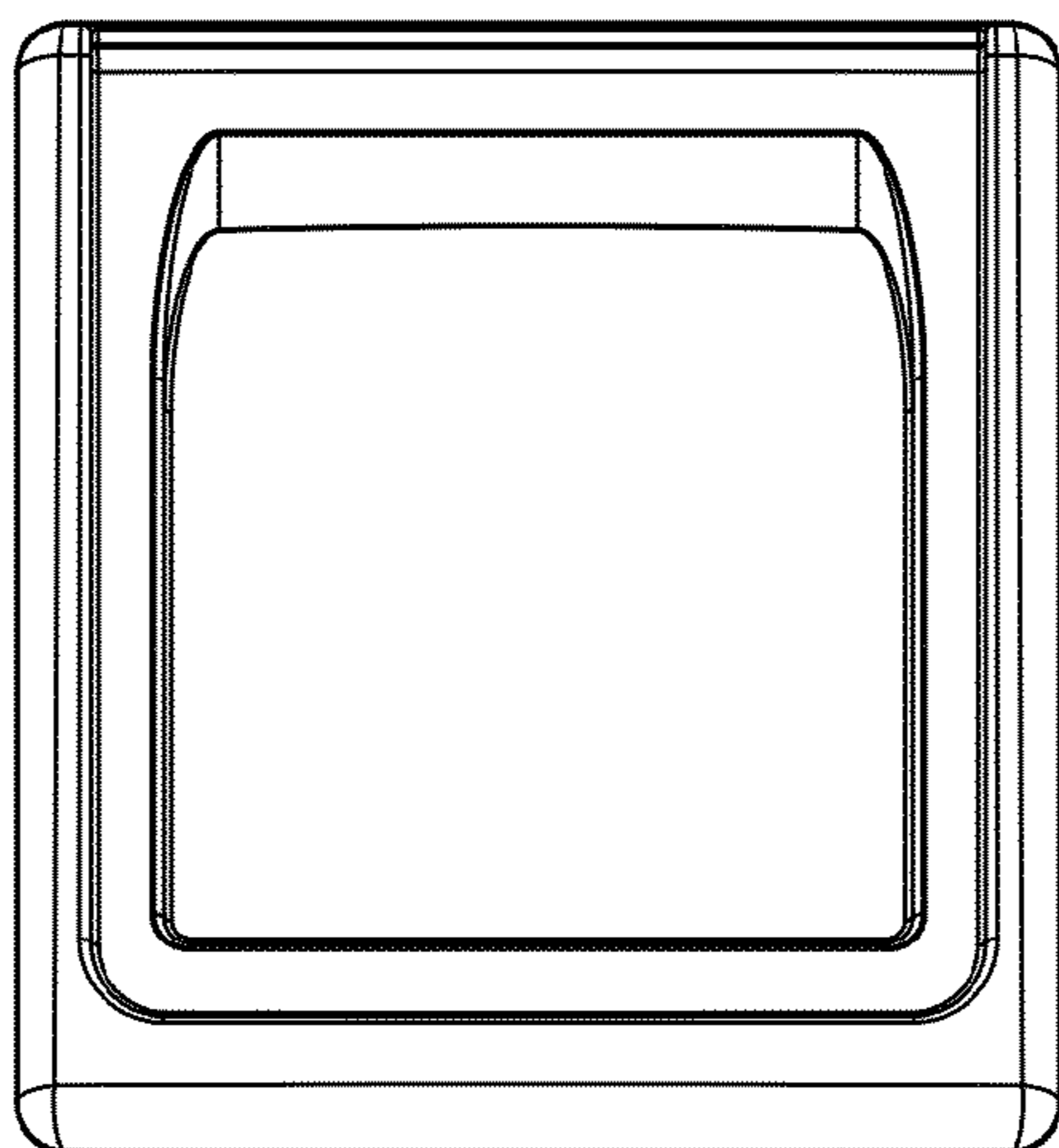


FIG. 6

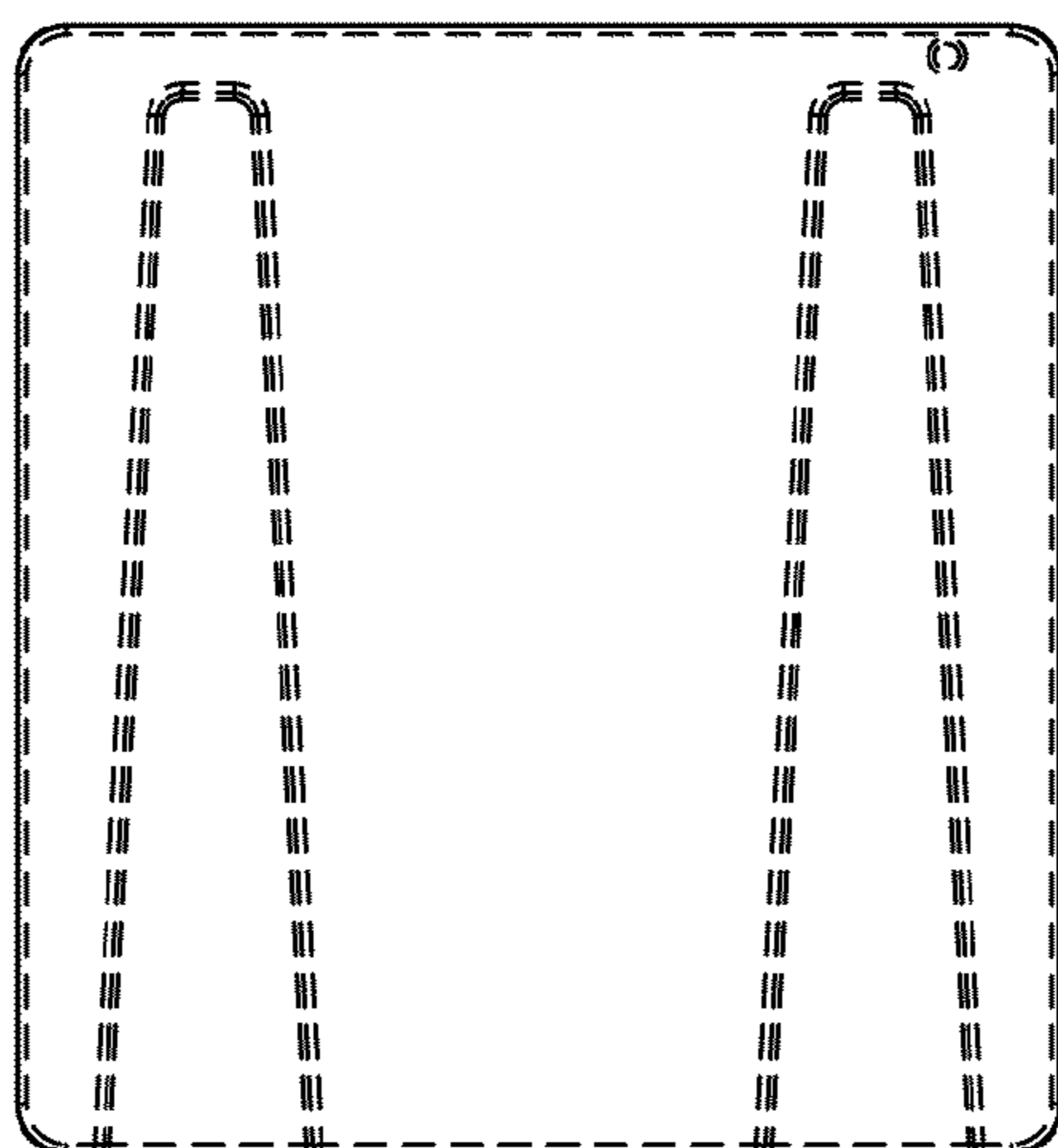


FIG. 7

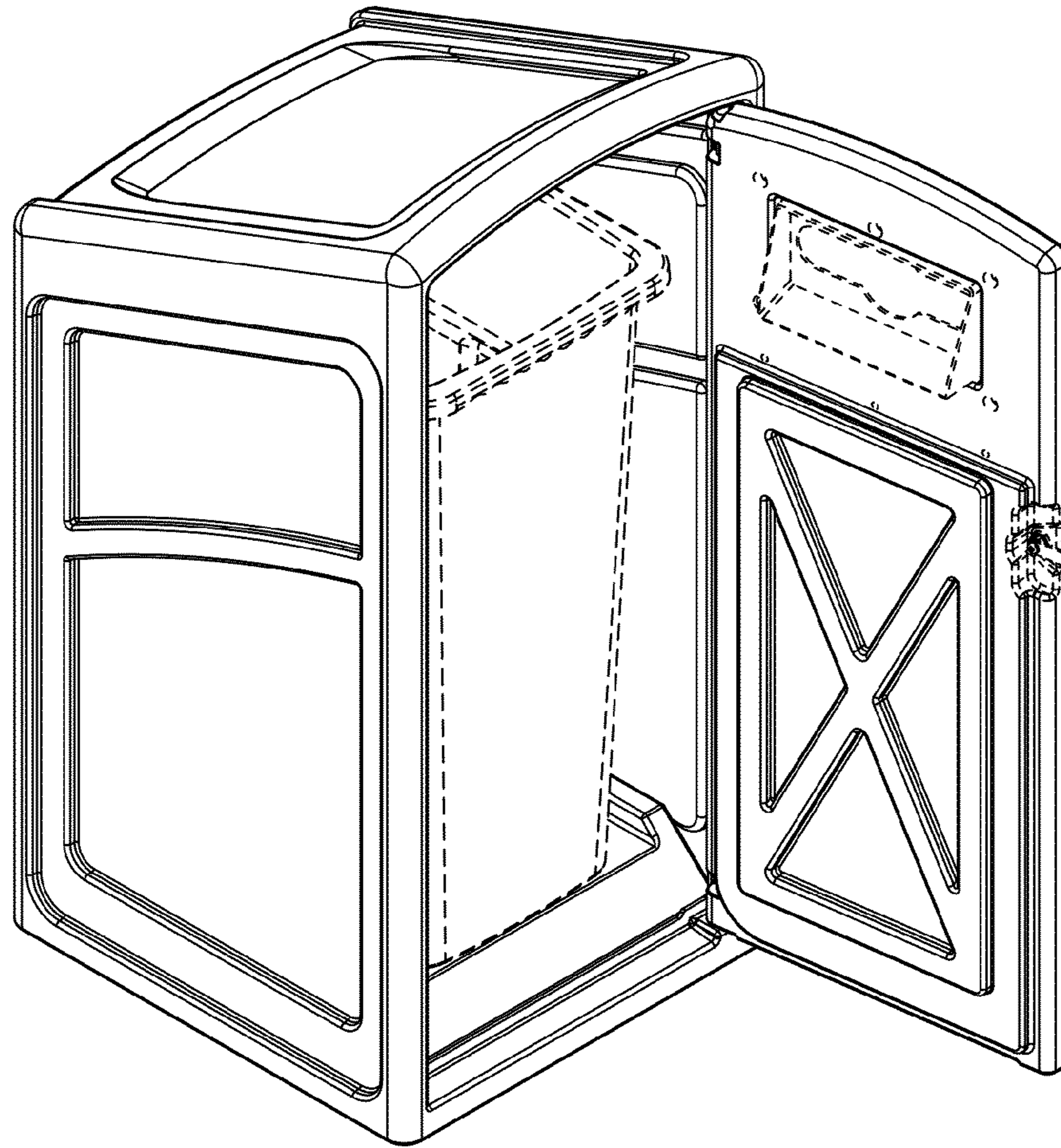


FIG. 8

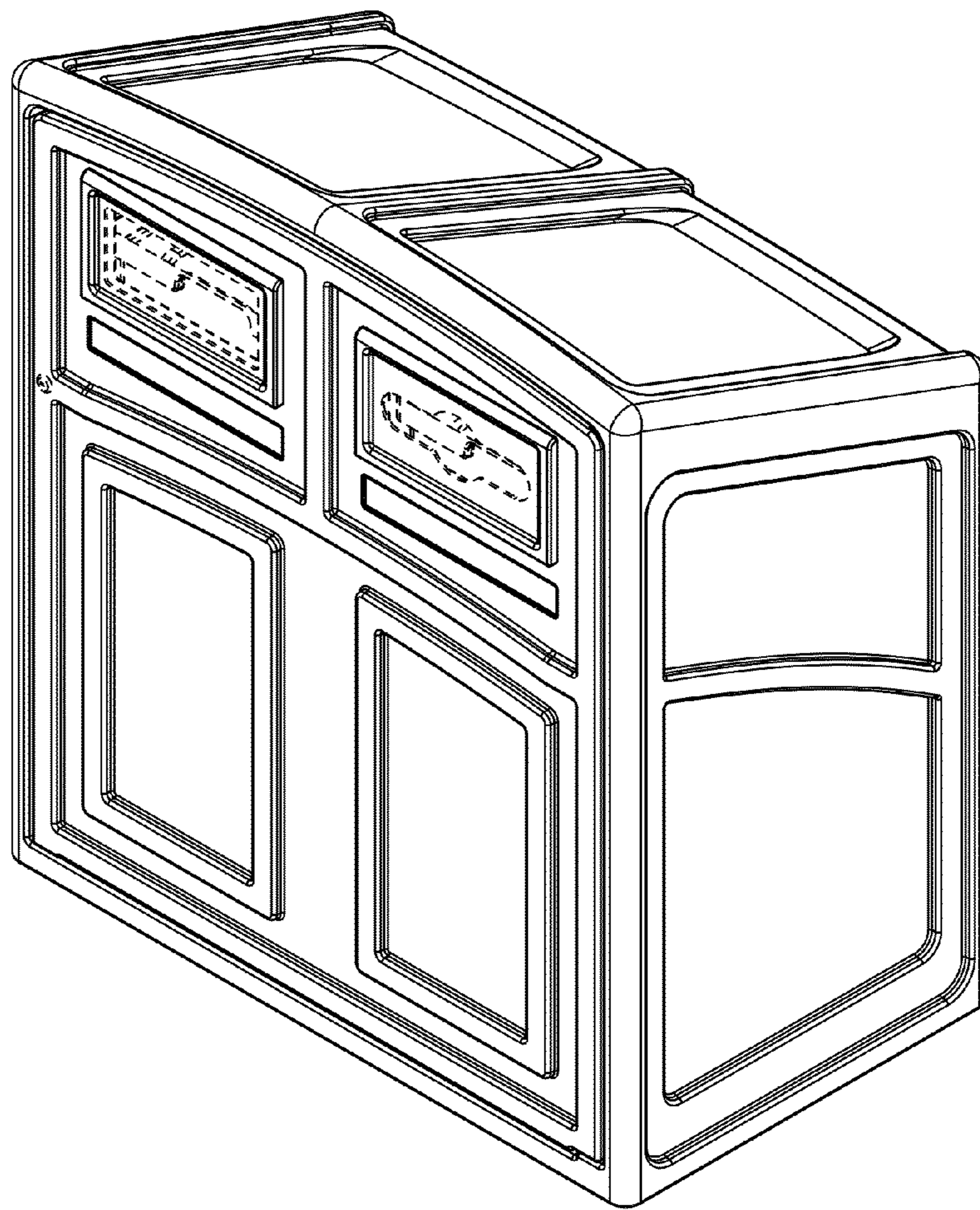


FIG. 9

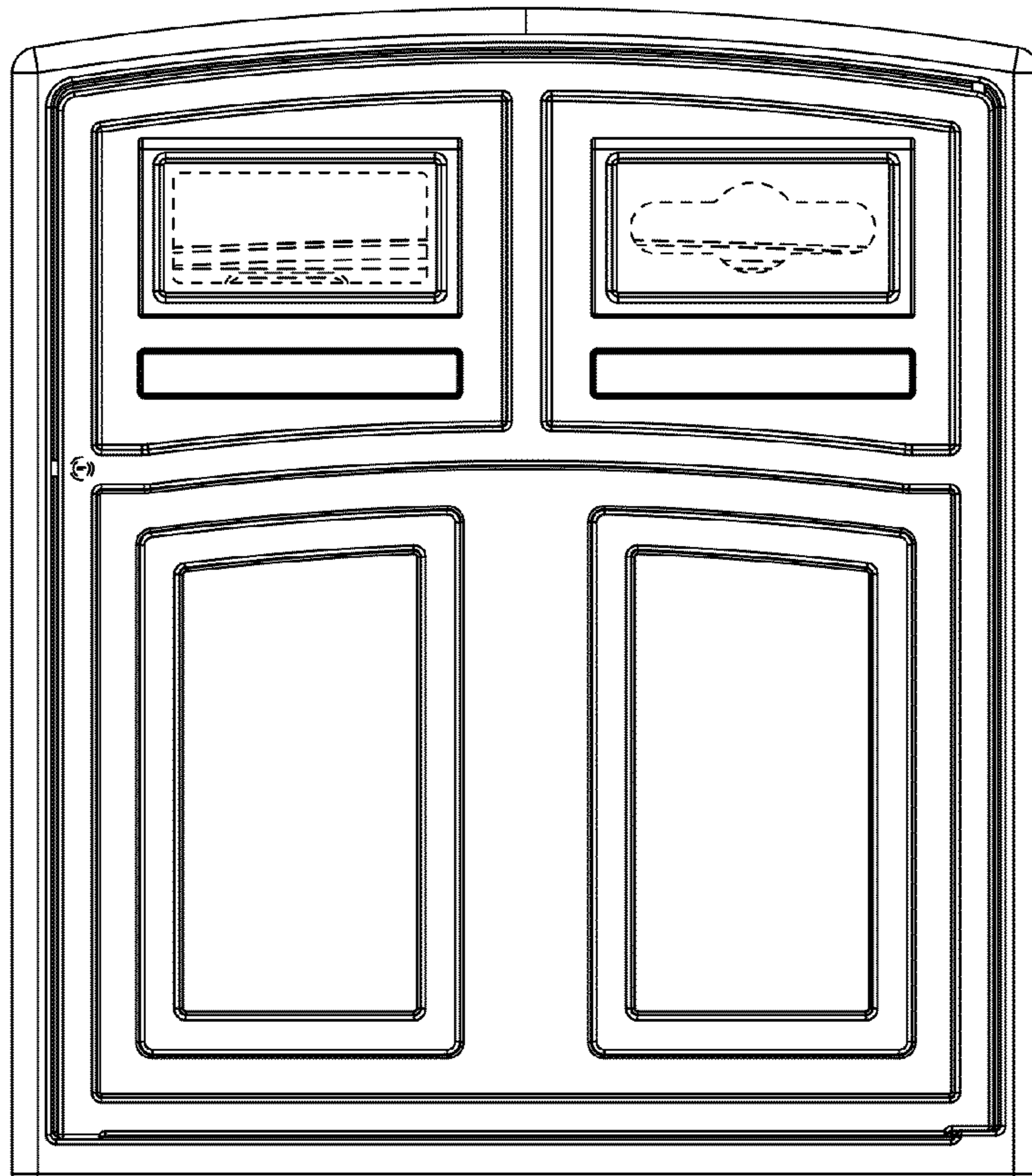


FIG. 10

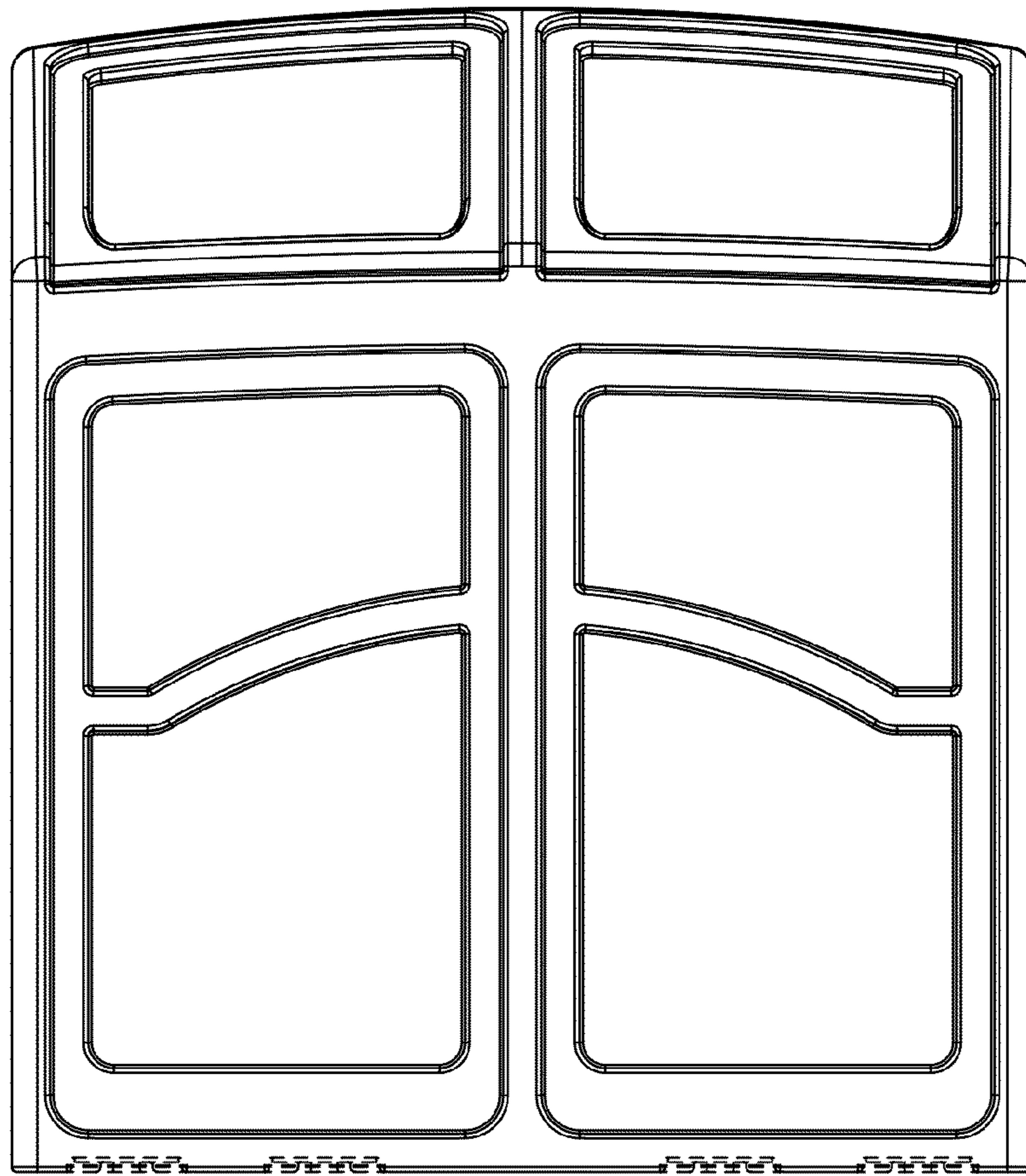


FIG. 11

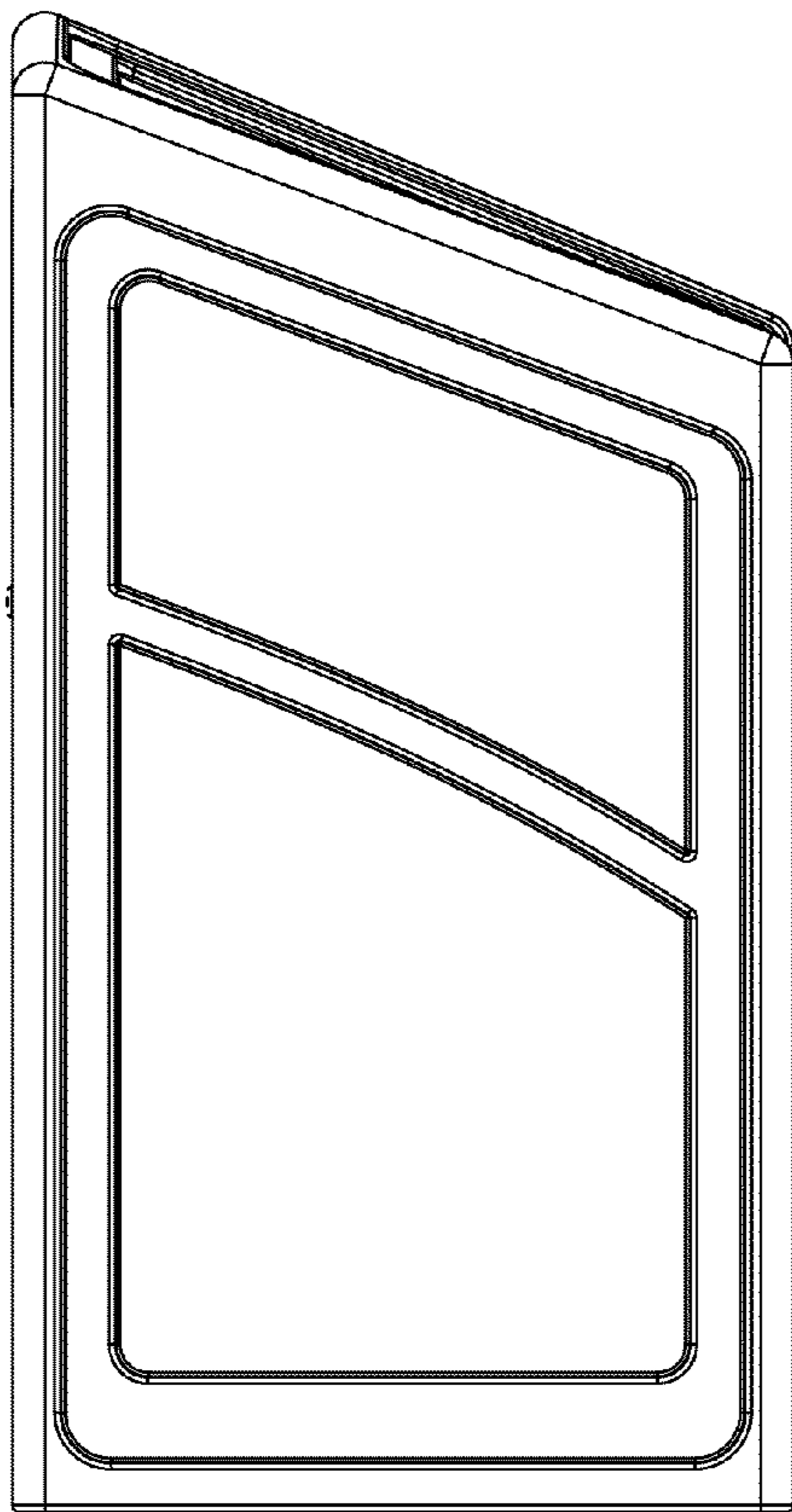


FIG. 12

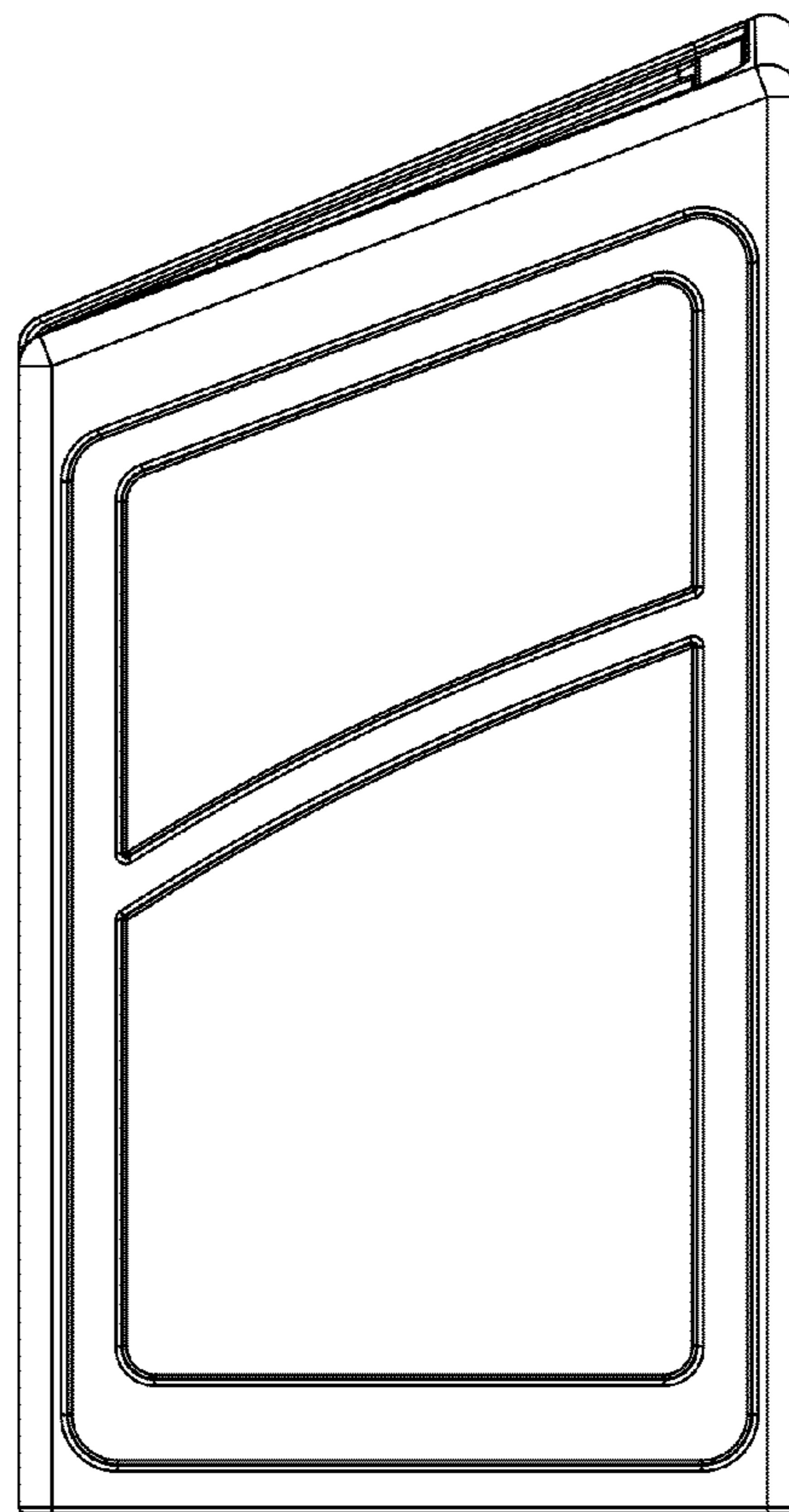


FIG. 13

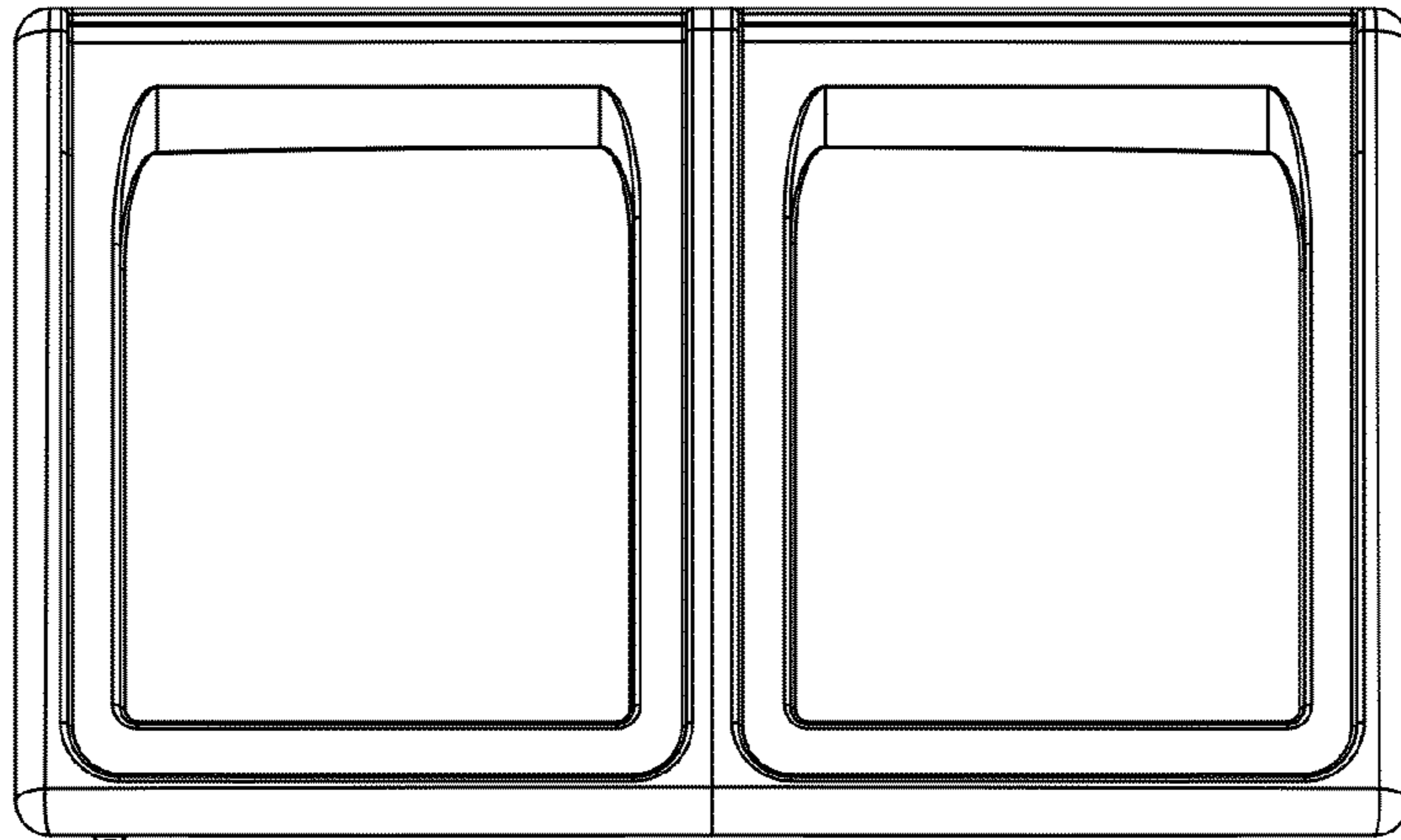


FIG. 14

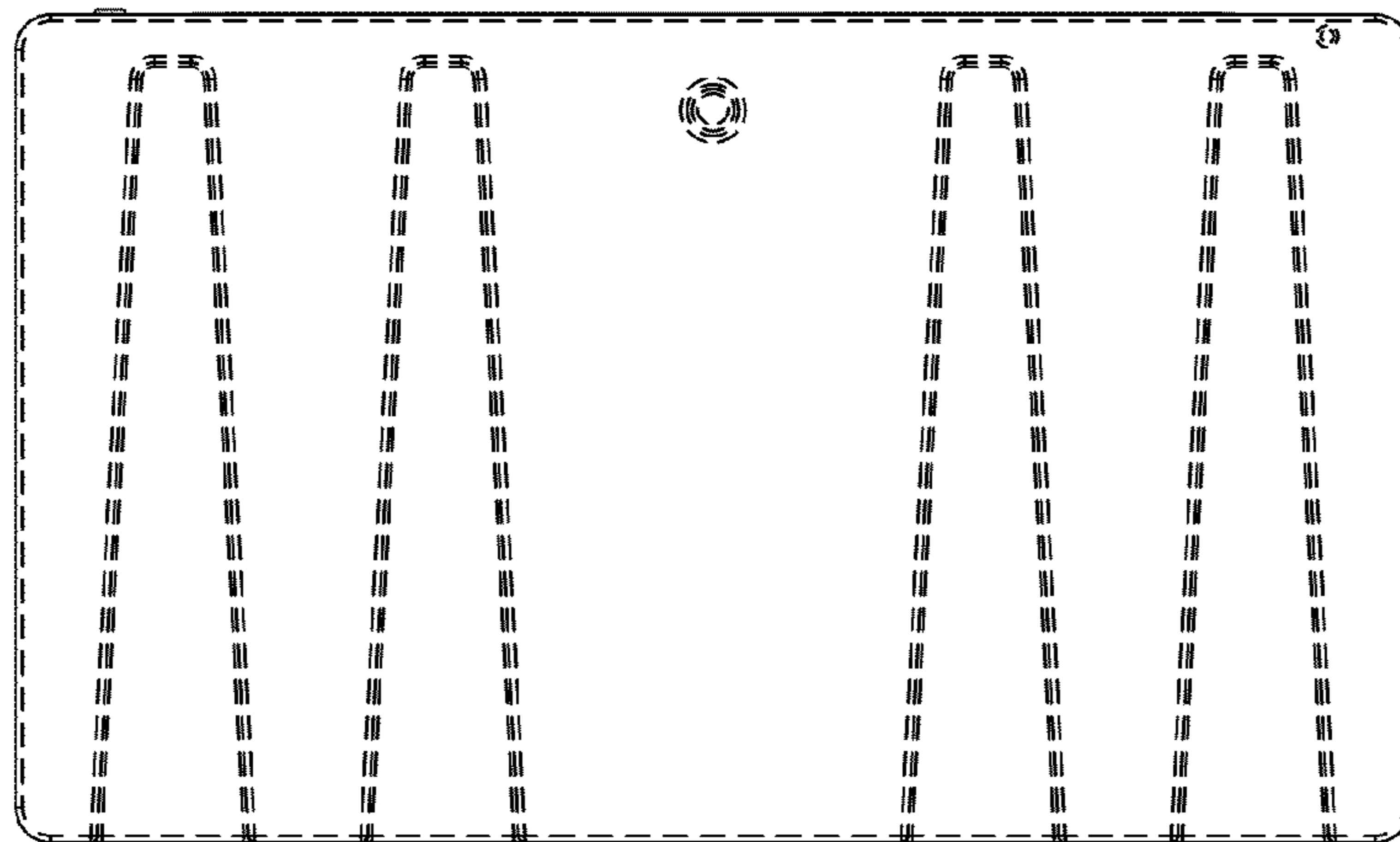


FIG. 15

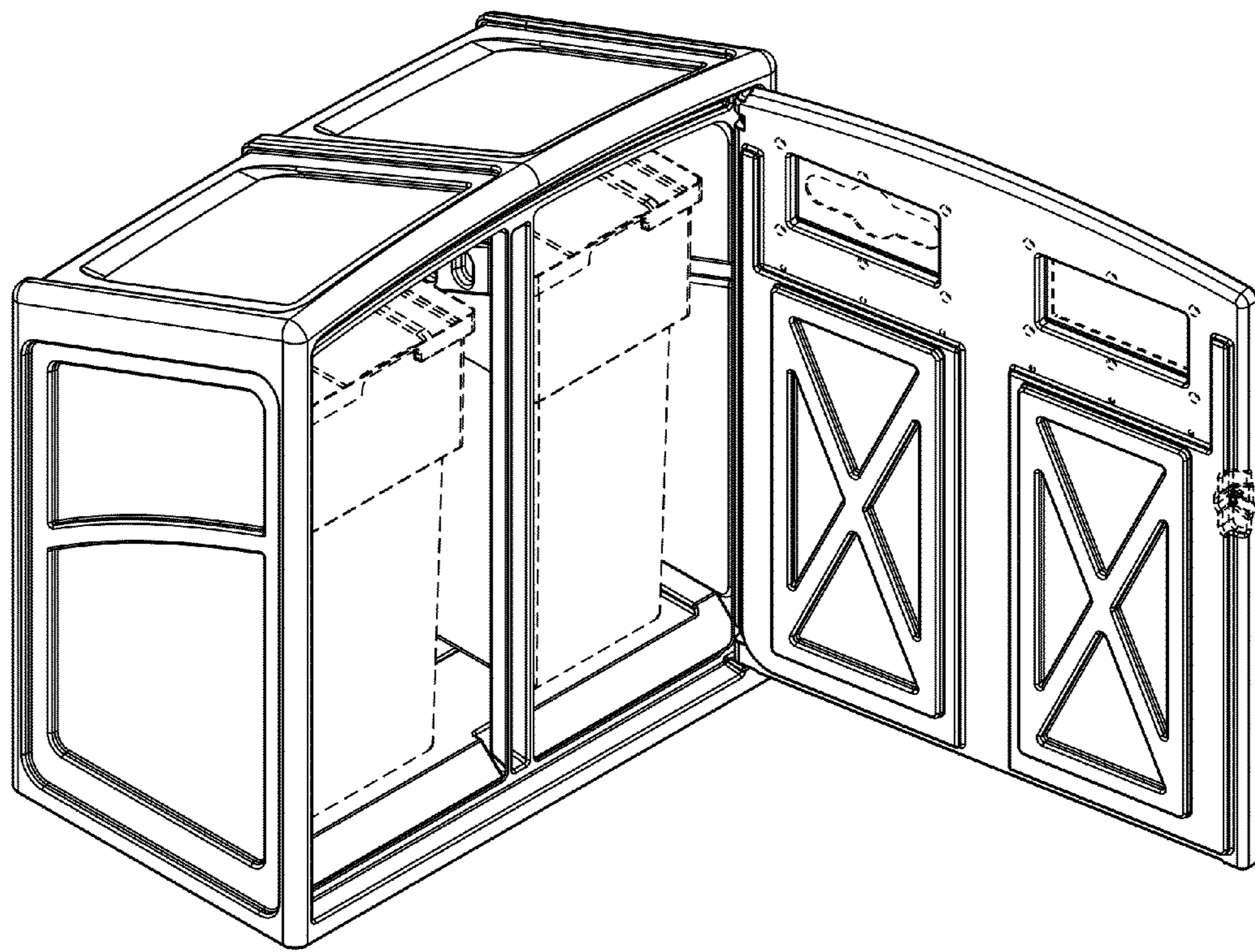


FIG. 16

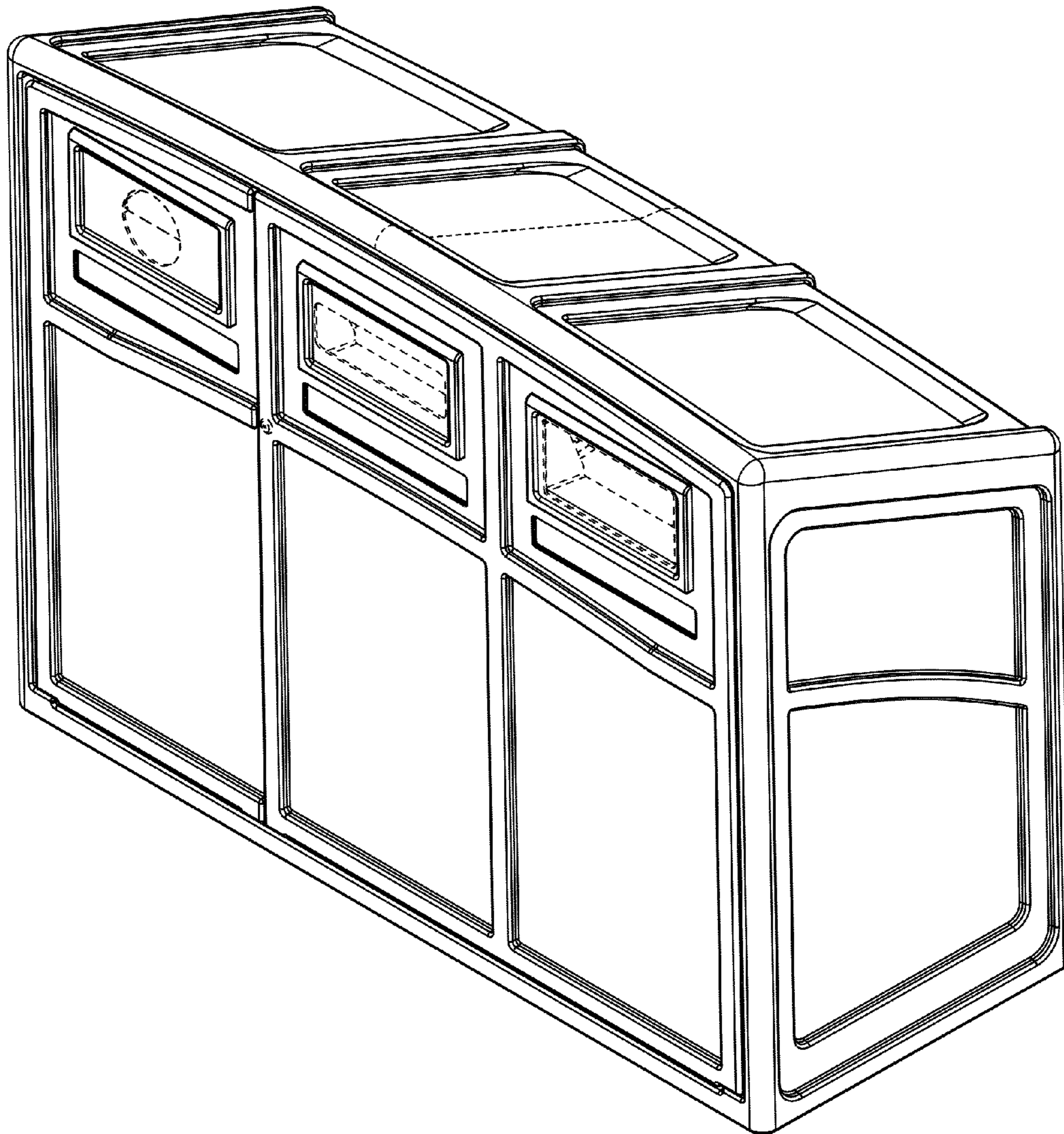


FIG. 17

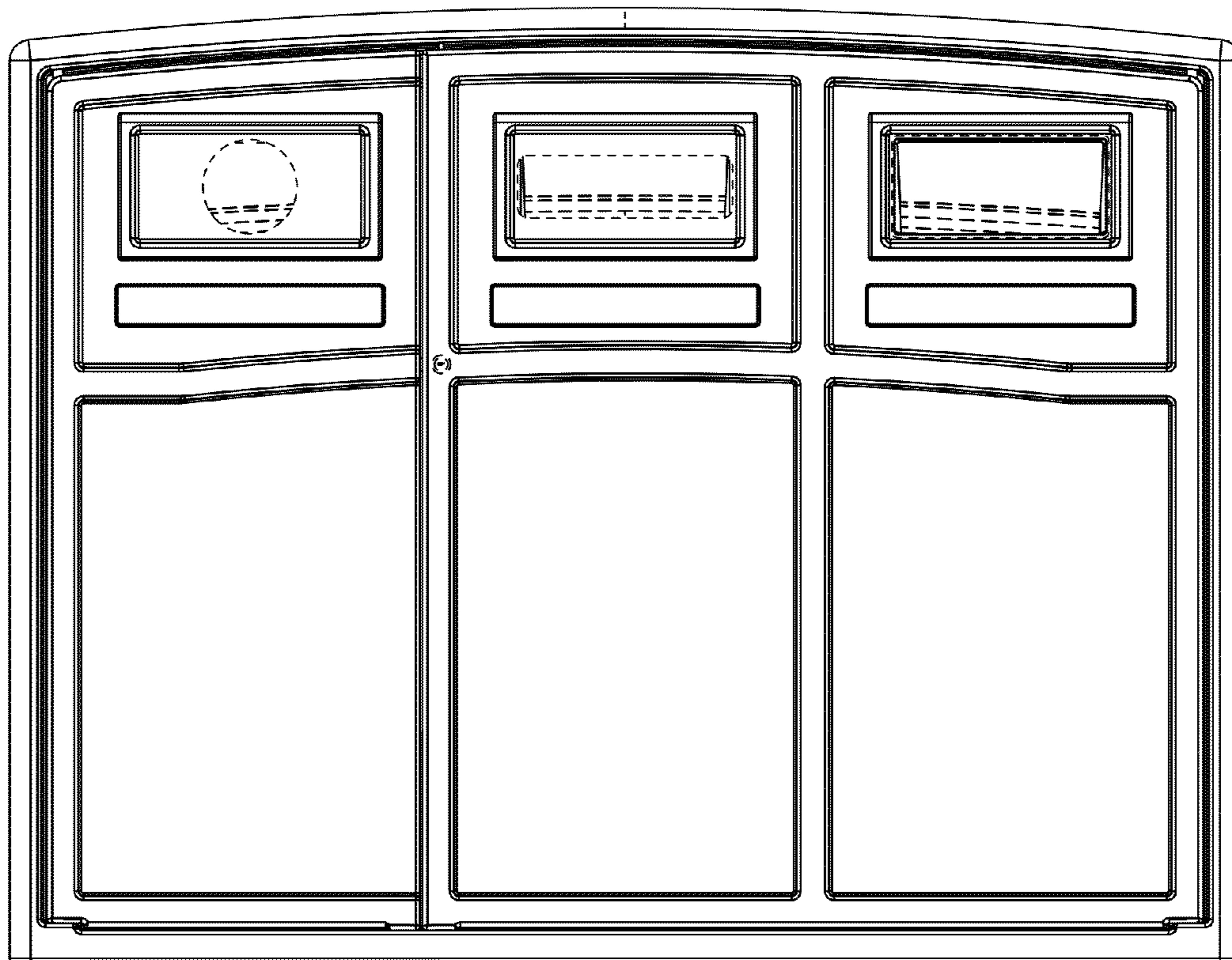


FIG. 18

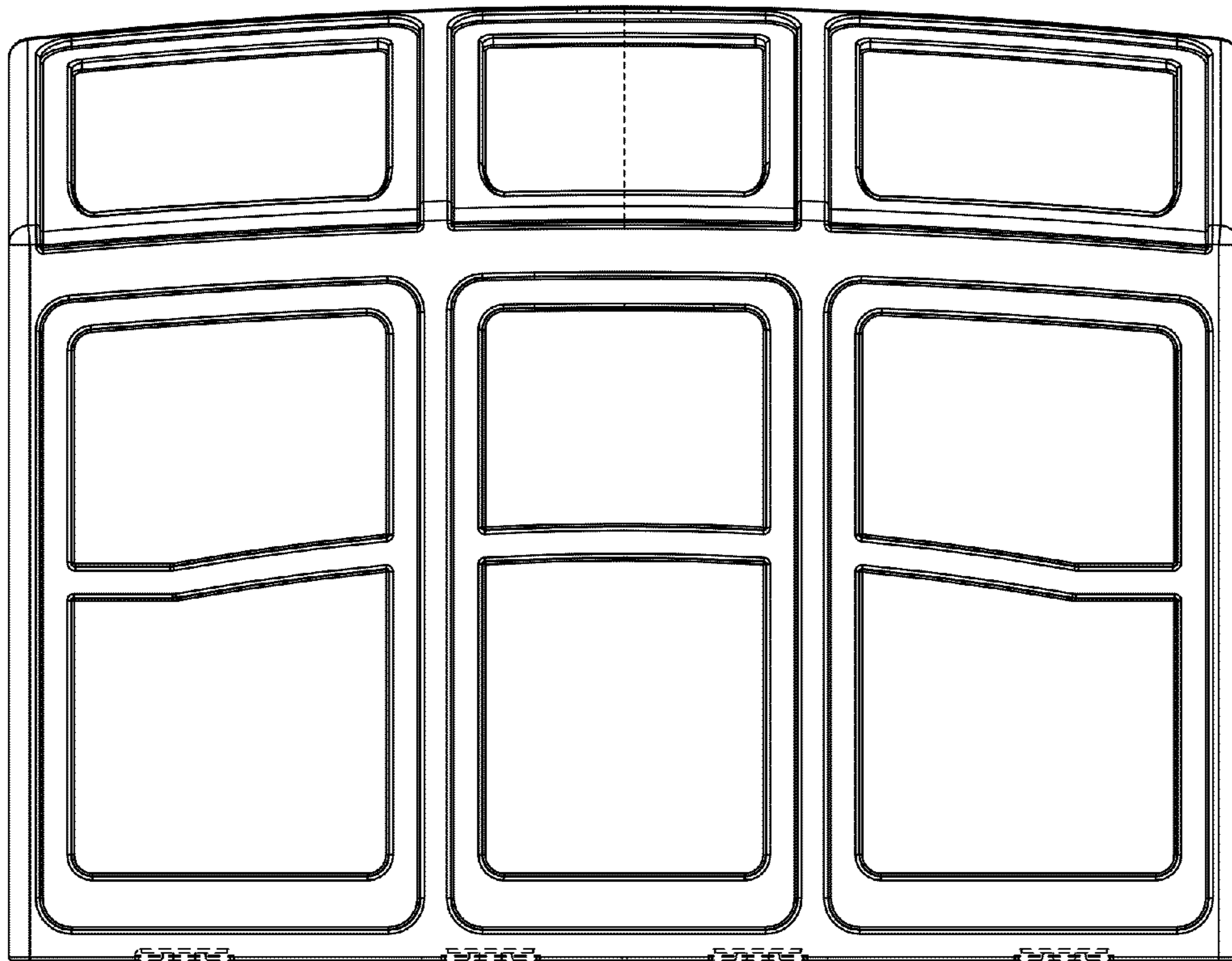


FIG. 19

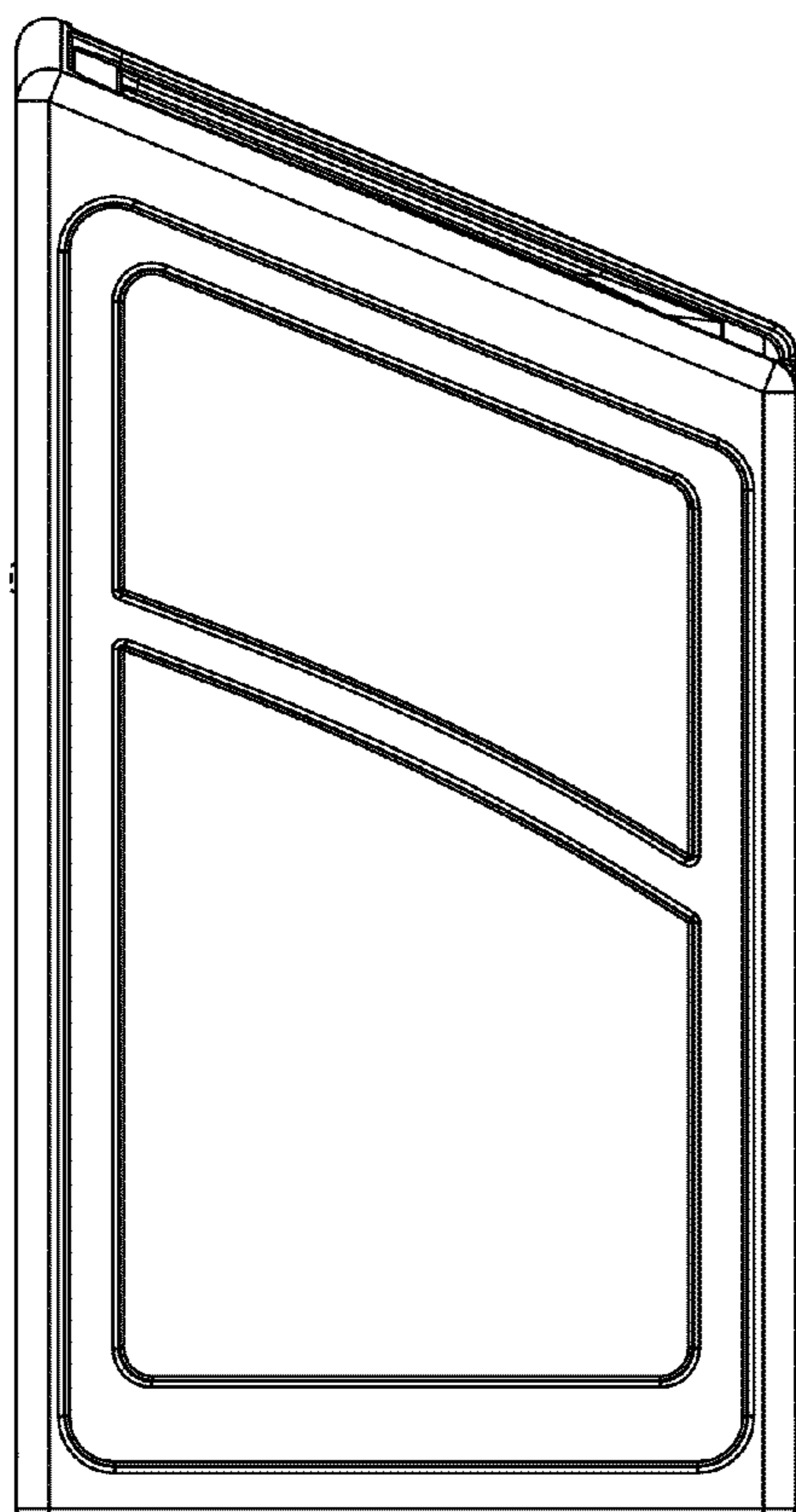


FIG. 20

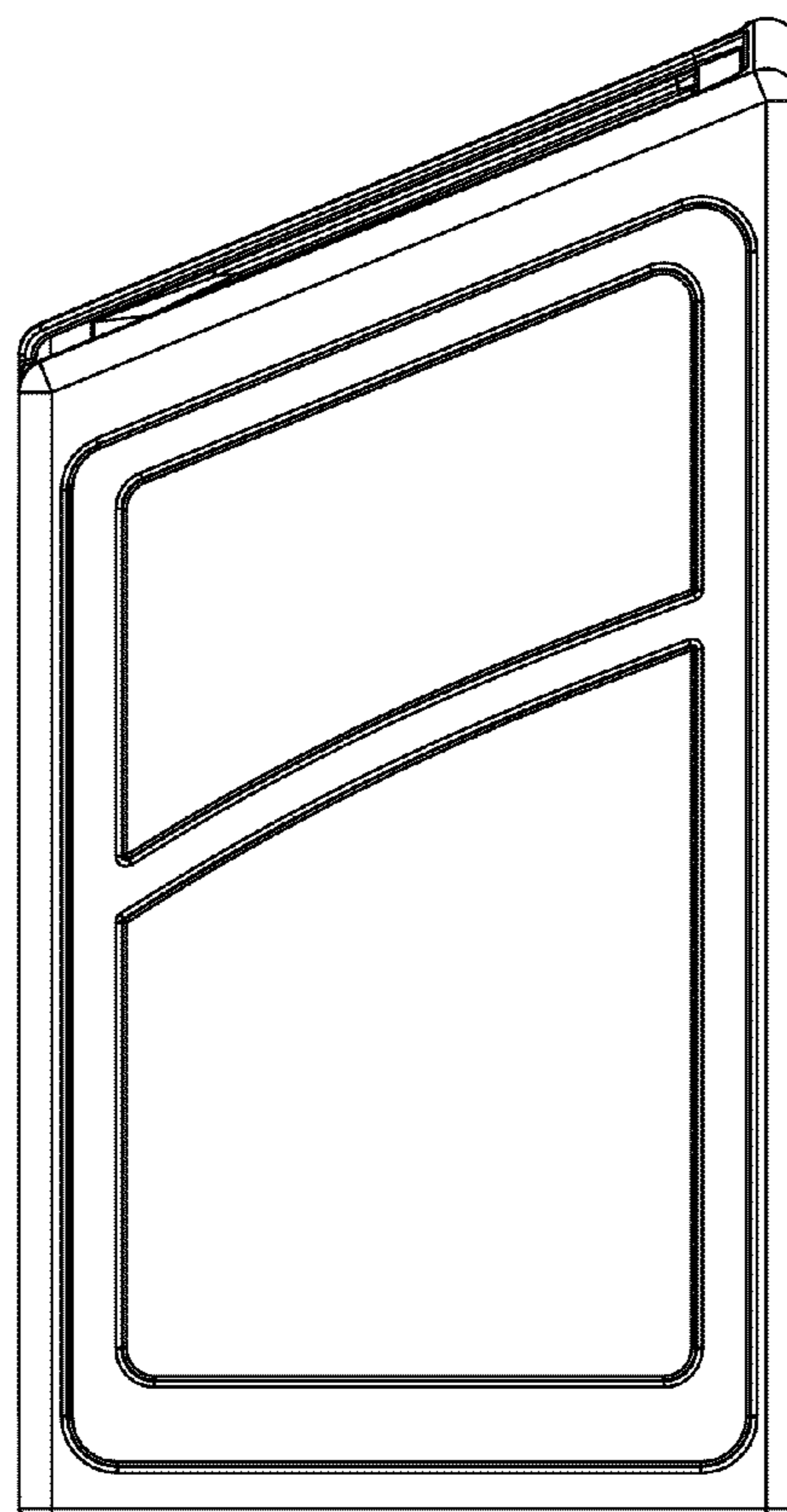


FIG. 21

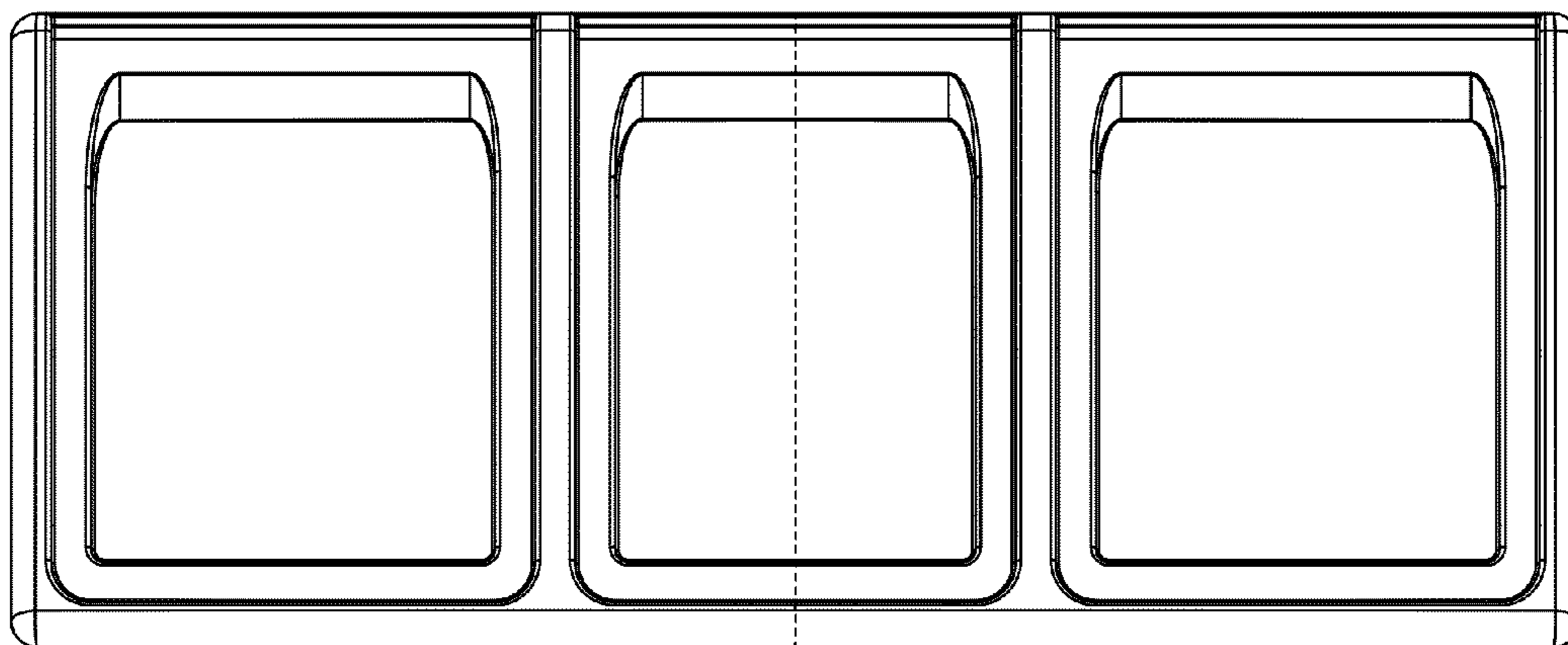


FIG. 22

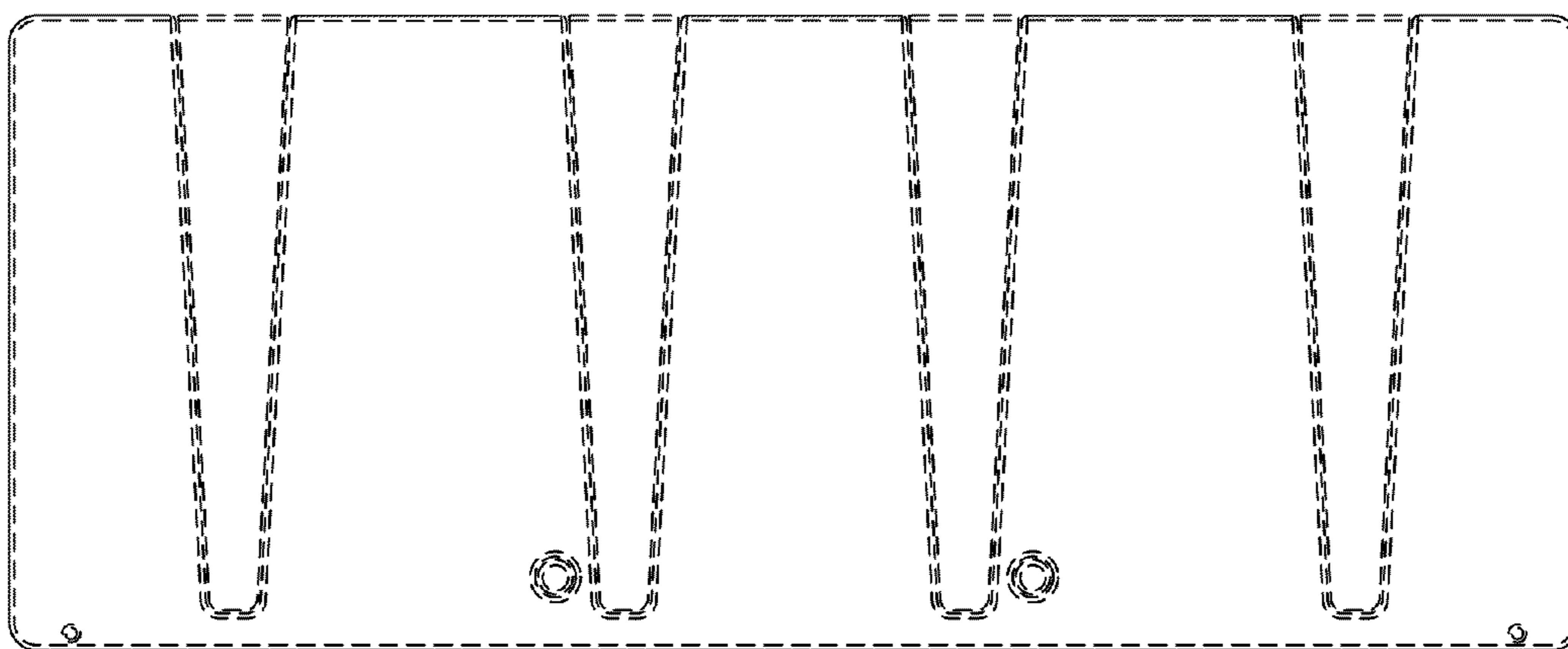


FIG. 23

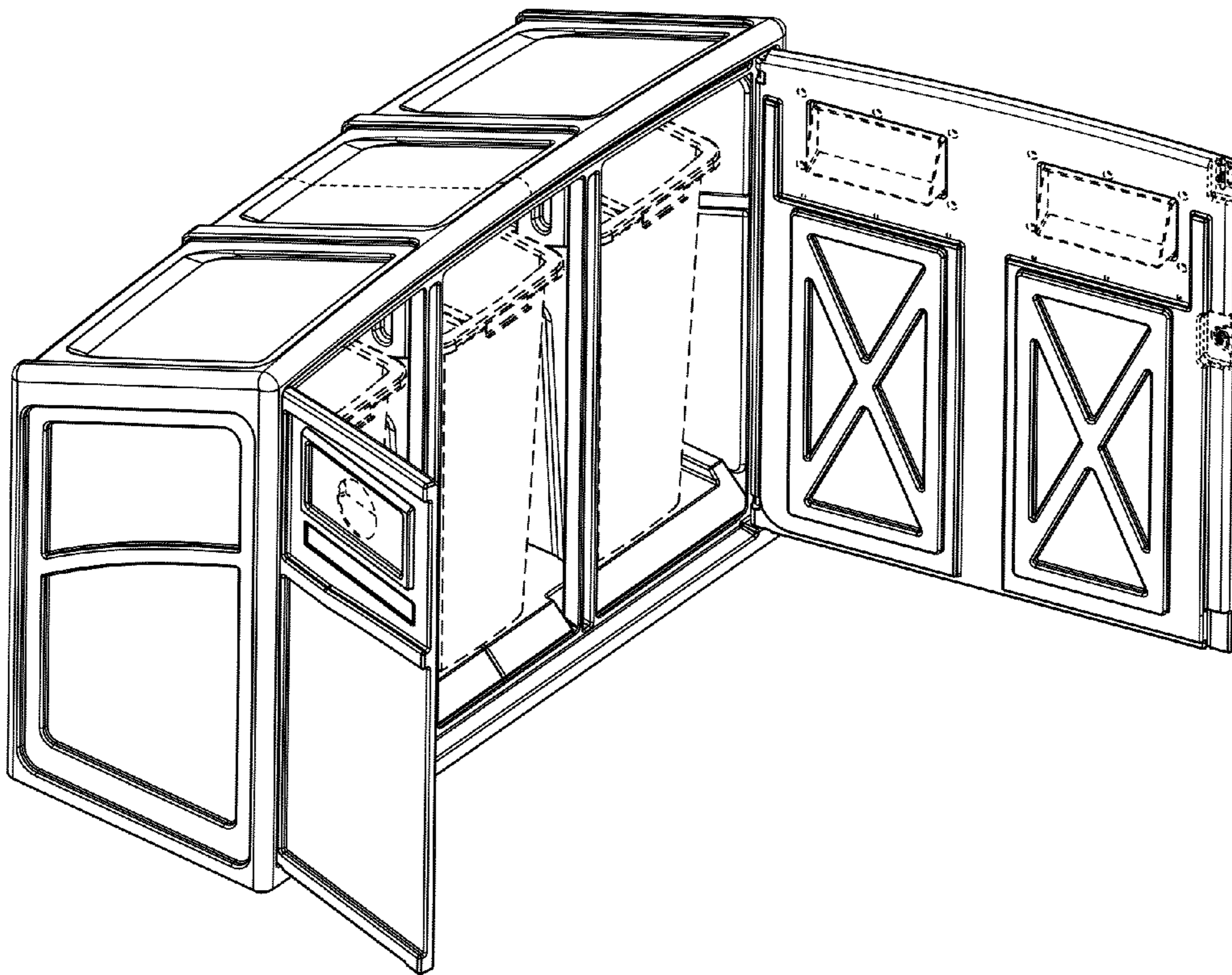


FIG. 24