



US00D727583S

(12) **United States Design Patent**
Yang et al.

(10) **Patent No.:** **US D727,583 S**

(45) **Date of Patent:** **** Apr. 21, 2015**

(54) **COMBINED TRASH CAN AND MOUNTING BRACKET**

(71) Applicant: **Simplehuman LLC**, Torrance, CA (US)

(72) Inventors: **Frank Yang**, Rancho Palos Verdes, CA (US); **Di-Fong Chang**, Torrance, CA (US); **Myk Lum**, Irvine, CA (US); **Adam Wade**, Rancho Santa Margarita, CA (US); **Helen Tang**, Rowland Heights, CA (US)

(73) Assignee: **Simplehuman LLC**, Torrance, CA (US)

(**) Term: **14 Years**

(21) Appl. No.: **29/447,331**

(22) Filed: **Mar. 1, 2013**

(51) **LOC (10) Cl.** **09-09**

(52) **U.S. Cl.**
USPC **D34/7**

(58) **Field of Classification Search**
USPC D34/1-11; 220/908, 908.1, 909, 910, 220/911, 912, 913

See application file for complete search history.

(56) **References Cited**

U.S. PATENT DOCUMENTS

3,008,604	A	*	11/1961	Garner	220/87.1
3,370,787	A	*	2/1968	Lindholm et al.	232/43.2
D318,354	S	*	7/1991	Delmerico	D34/7
D318,549	S	*	7/1991	Delmerico	D34/7
5,046,613	A	*	9/1991	Baudry et al.	206/366
D552,824	S	*	10/2007	Zimmerman	D34/7
D587,874	S	*	3/2009	Lin	D34/7
D603,119	S	*	10/2009	Yang et al.	D34/7
D630,404	S	*	1/2011	Yang et al.	D34/7

* cited by examiner

Primary Examiner — Cynthia Ramirez

(74) *Attorney, Agent, or Firm* — Liu & Liu

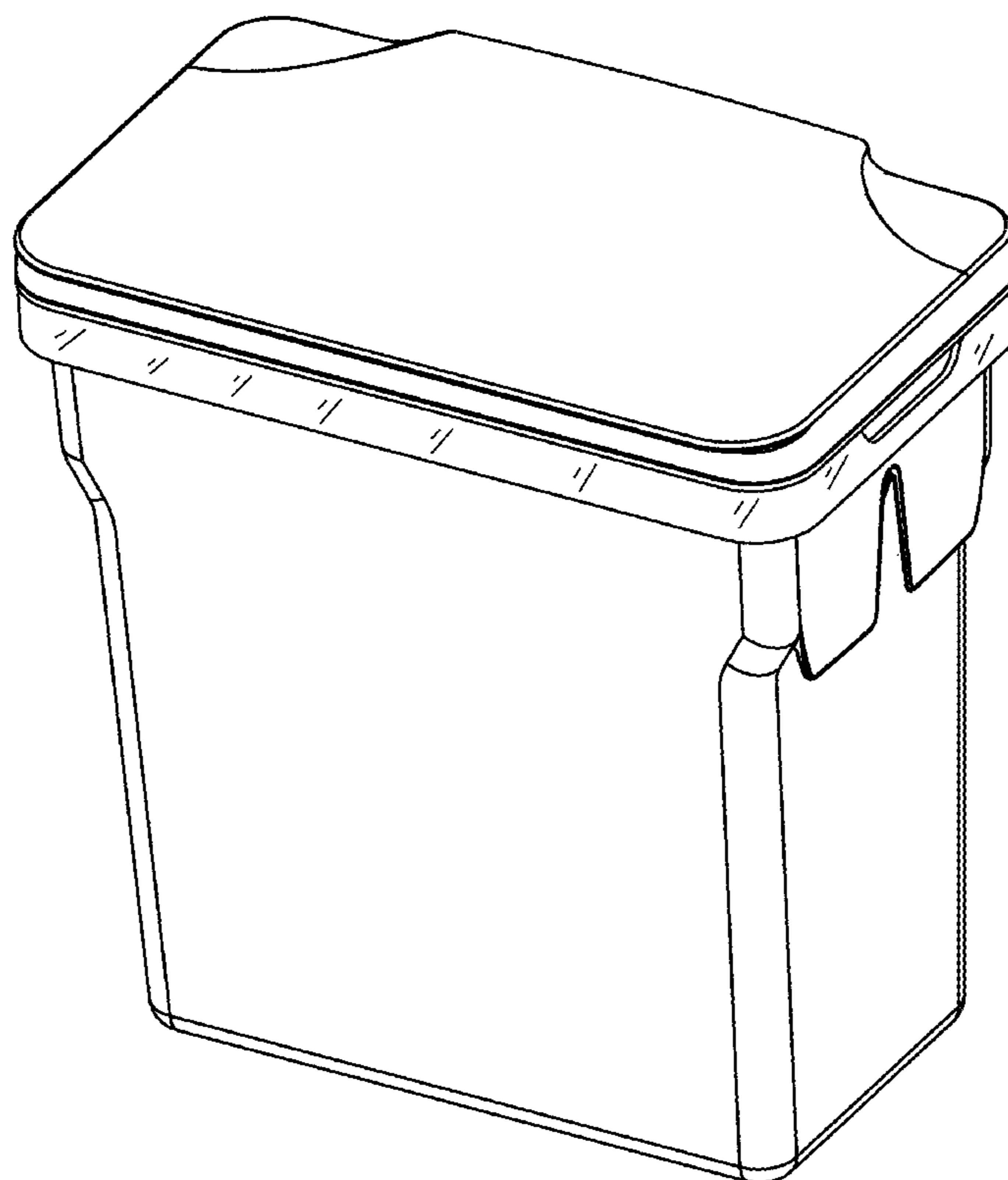
(57) **CLAIM**

The ornamental design for a combined trash can and mounting bracket, as shown and described.

DESCRIPTION

FIG. 1 is a front perspective view of the combined trash can and mounting bracket showing our new design; FIG. 2 is a rear perspective view thereof; FIG. 3 is a front view thereof; FIG. 4 is a rear view thereof; FIG. 5 is a right side view, the left side being a mirror image thereof; FIG. 6 is a top plan view thereof; and, FIG. 7 is a bottom plan view thereof.

1 Claim, 7 Drawing Sheets



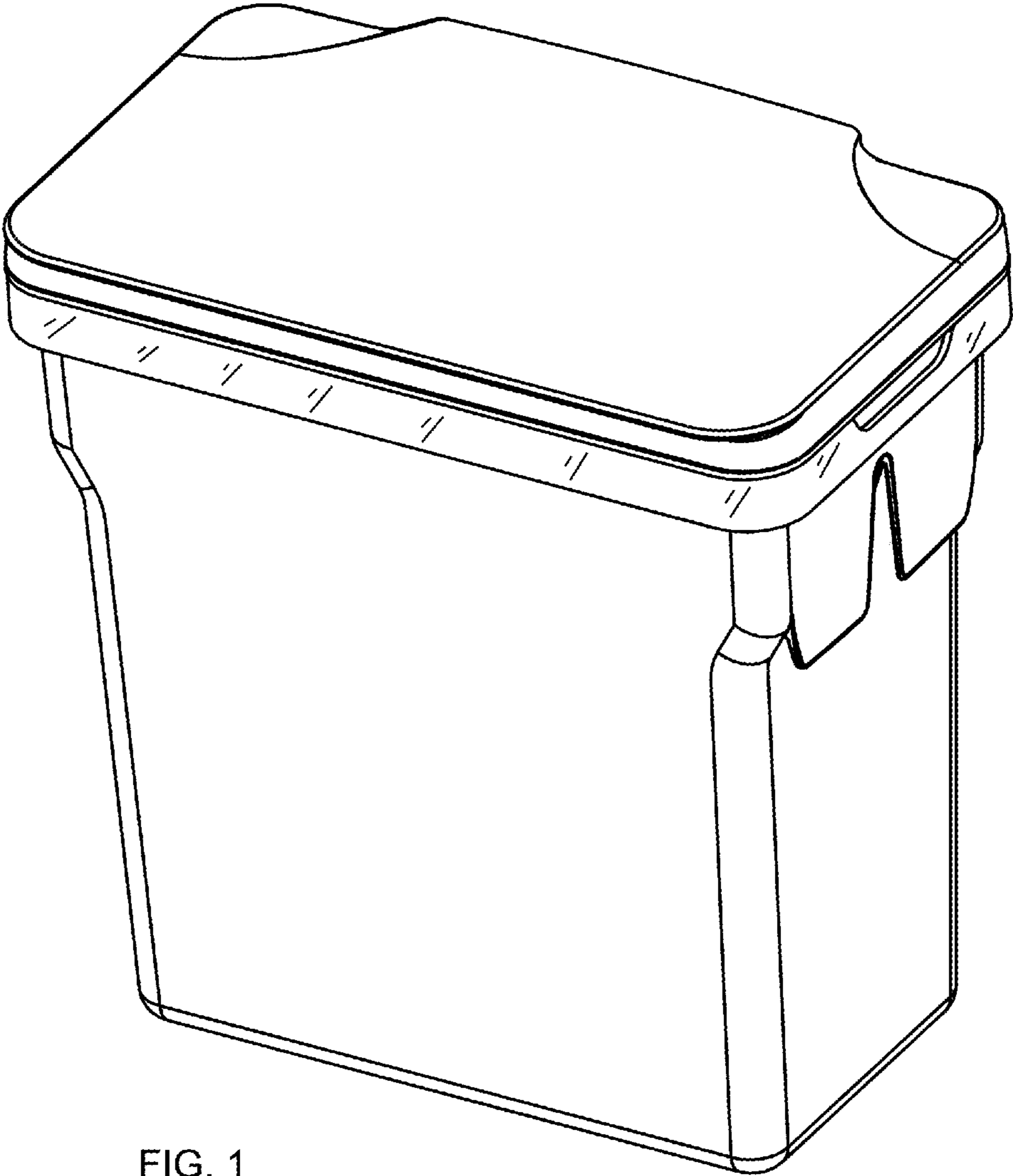


FIG. 1

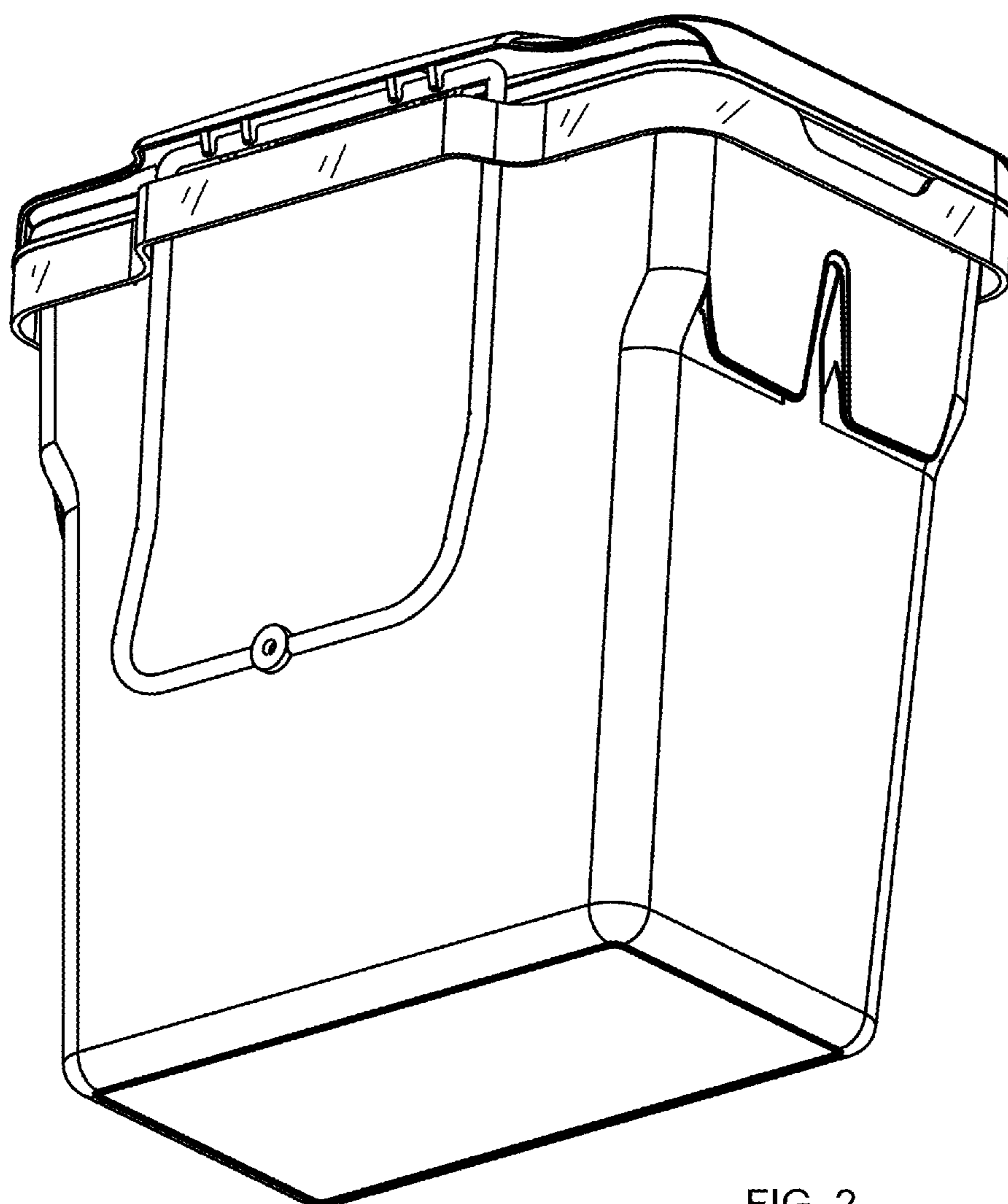


FIG. 2

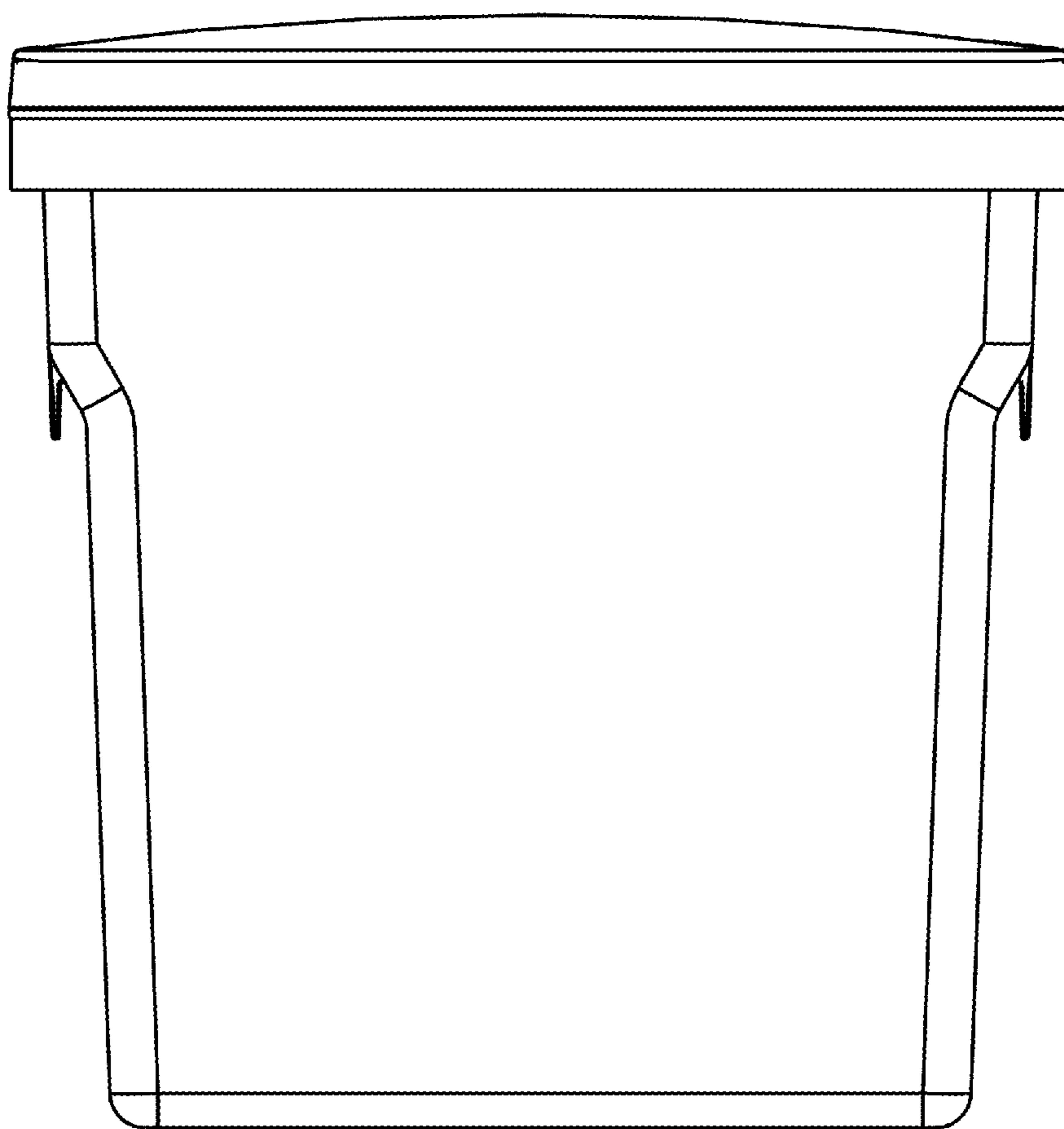


FIG. 3

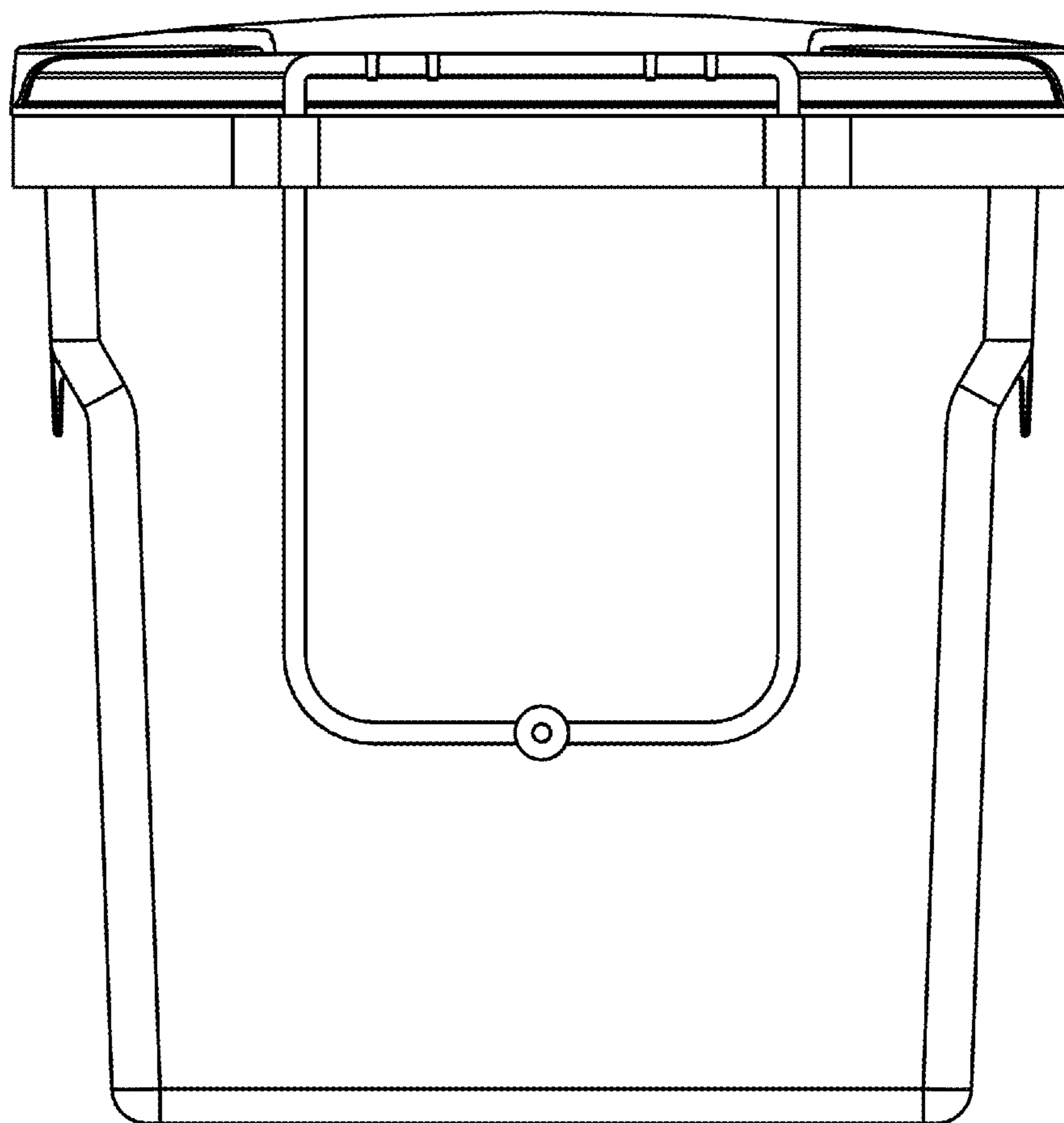


FIG. 4

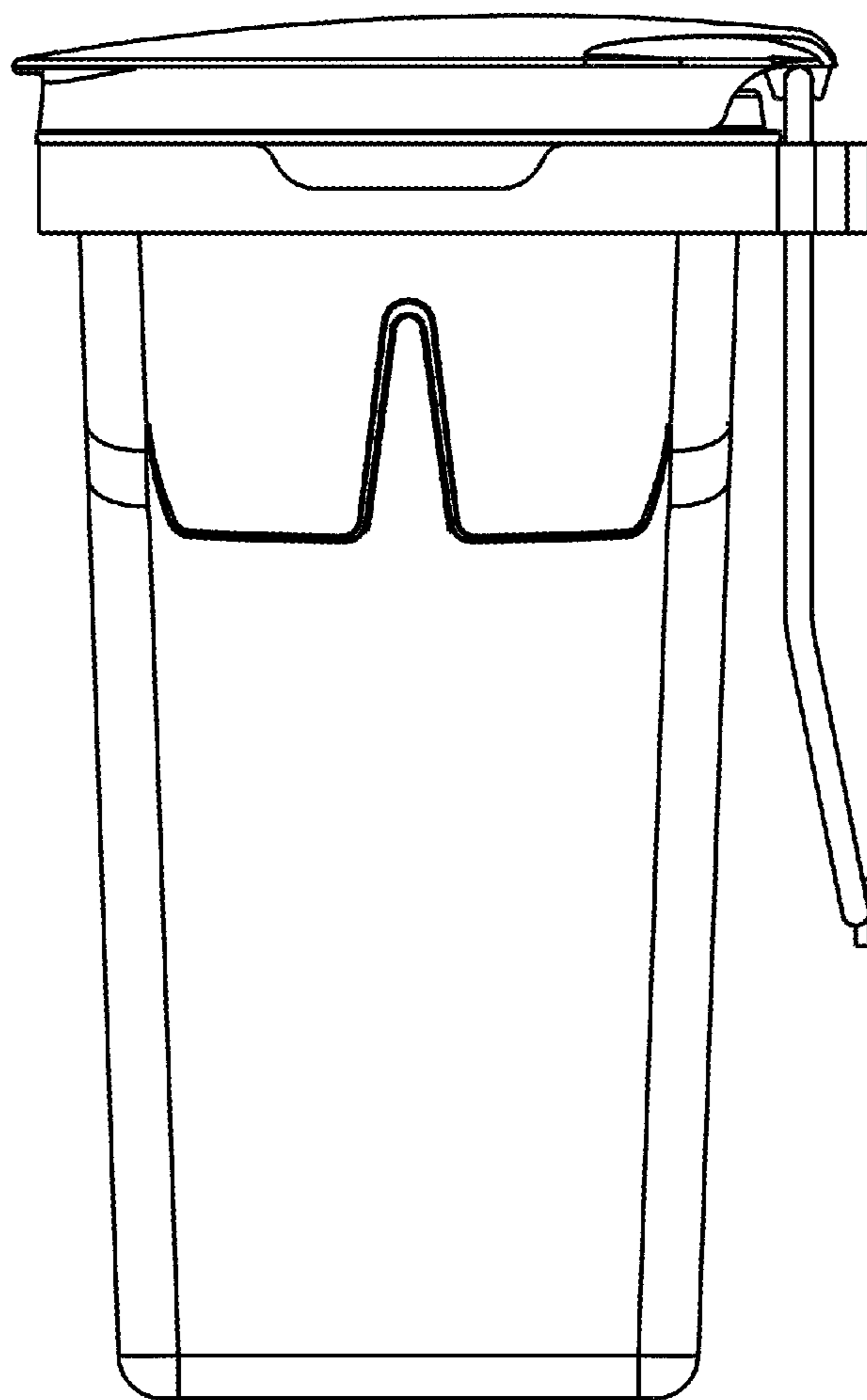


FIG. 5

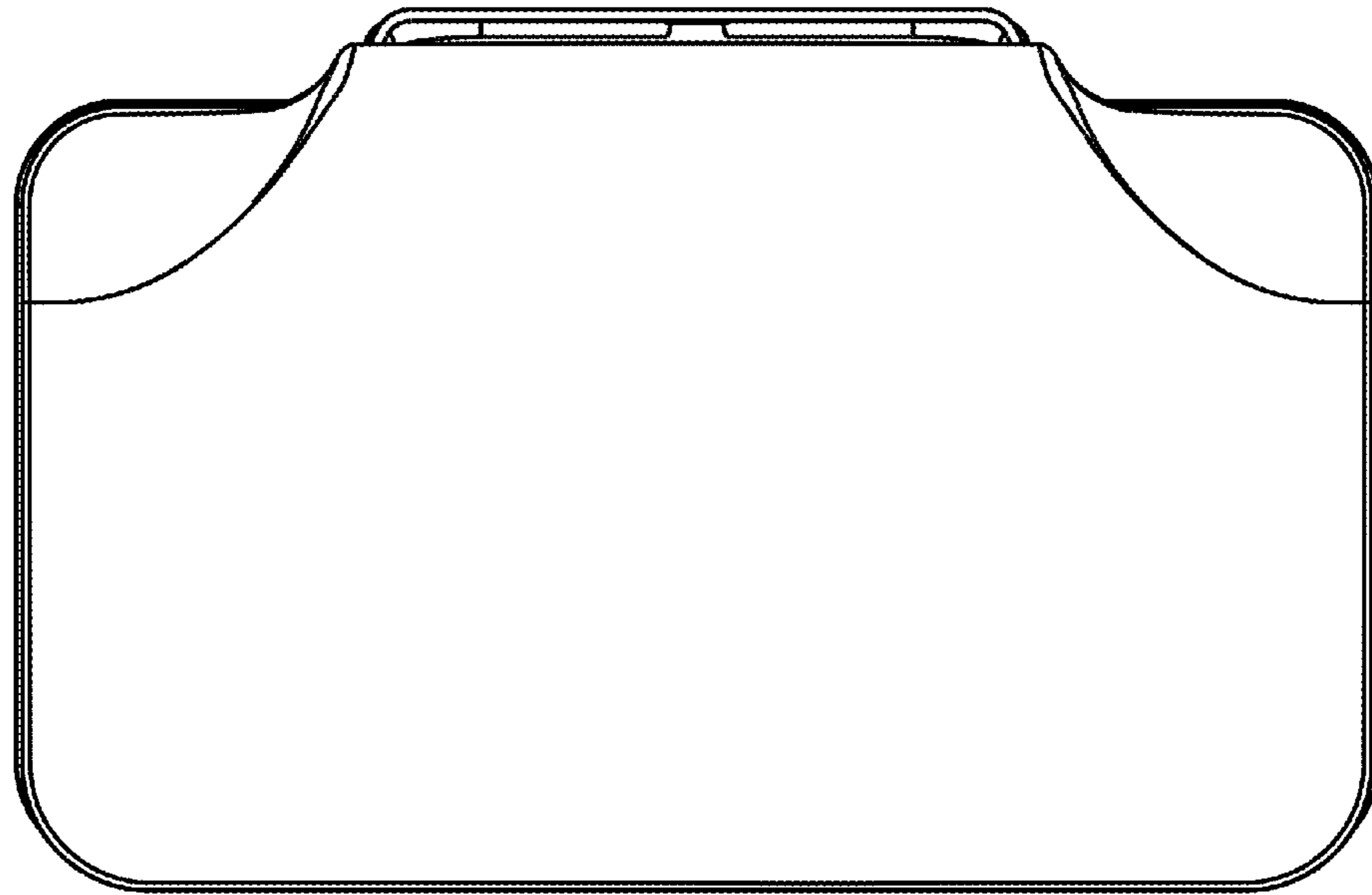


FIG. 6

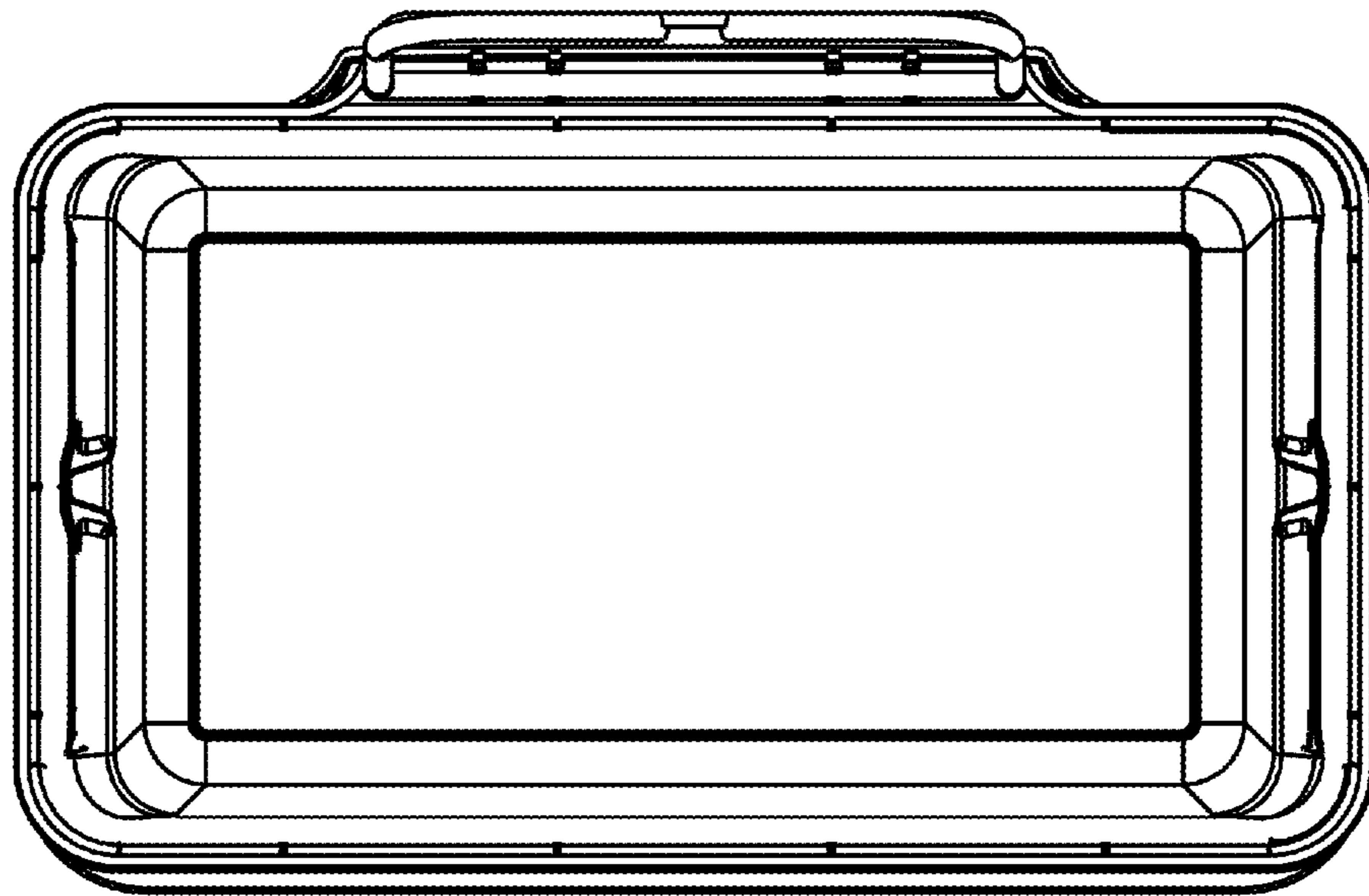


FIG. 7