



US00D727582S

(12) **United States Design Patent**
Liang

(10) **Patent No.:** **US D727,582 S**
(45) **Date of Patent:** **** Apr. 21, 2015**

- (54) **COMPOSITE STAND**
- (71) Applicant: **Hsin-Lien Liang**, Taoyuan Hsien (TW)
- (72) Inventor: **Hsin-Lien Liang**, Taoyuan Hsien (TW)
- (**) Term: **14 Years**
- (21) Appl. No.: **29/455,142**
- (22) Filed: **May 17, 2013**
- (51) **LOC (10) Cl.** **09-09**
- (52) **U.S. Cl.**
USPC **D34/6; D34/5**
- (58) **Field of Classification Search**
USPC D34/1-11; D25/16; 211/85.19;
220/480, 908, 909.1, 909; D20/19, 41
See application file for complete search history.

6,612,457	B1	*	9/2003	Caron	220/480
D534,368	S	*	1/2007	Karpinski	D6/396
D540,997	S	*	4/2007	Richards	D34/10
D548,915	S	*	8/2007	Yang et al.	D34/6
D600,046	S	*	9/2009	Kelsen	D6/449
D626,355	S	*	11/2010	Liang	D6/449
D716,014	S	*	10/2014	Gnanendran	D34/5

* cited by examiner

Primary Examiner — Cynthia Ramirez
(74) *Attorney, Agent, or Firm* — Rosenberg, Klein & Lee

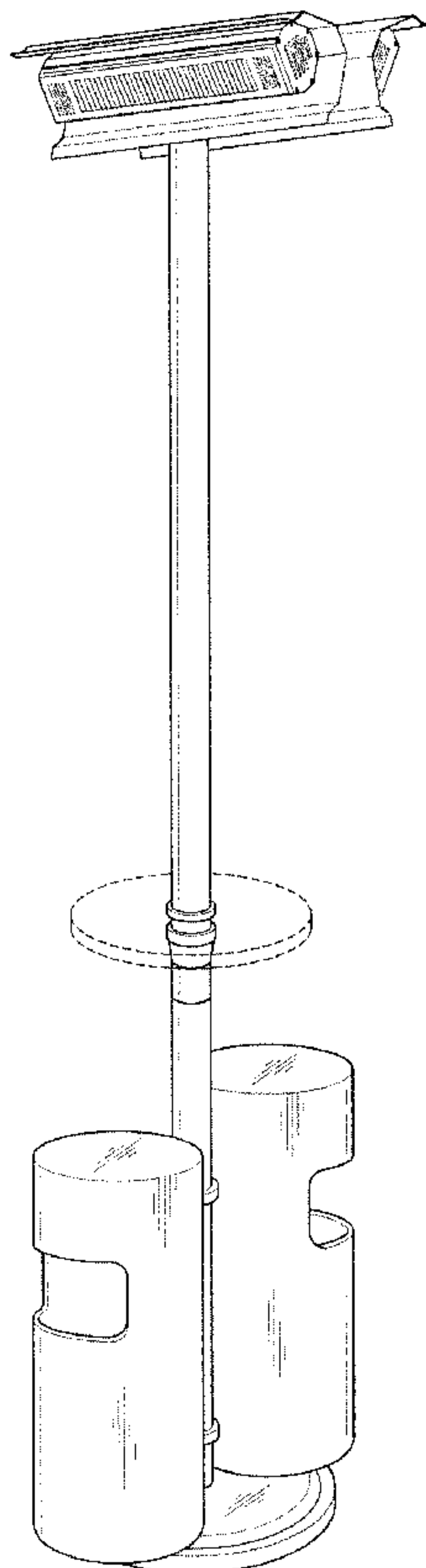
(57) **CLAIM**
The ornamental design for a composite stand, as shown and described.

DESCRIPTION

FIG. 1 is a right perspective view of a composite stand showing my new design;
FIG. 2 is a front view thereof, the opposite side being the same as the front view thereof;
FIG. 3 is a right side elevational view thereof, the opposite side being the same as the right side thereof; and,
FIG. 4 is a top plan view thereof.
The broken lines are for illustrative purposes only and for no part of the claimed design.

1 Claim, 4 Drawing Sheets

- (56) **References Cited**
U.S. PATENT DOCUMENTS
D164,577 S * 9/1951 Henderson D6/450
3,162,495 A * 12/1964 Swift 108/23
D259,081 S * 5/1981 Sharpless et al. D99/28
D307,208 S * 4/1990 Hemphill D34/5
5,551,774 A * 9/1996 Campbell et al. 312/284
D379,664 S * 6/1997 Horton D25/16
D477,900 S * 7/2003 Ditmars, Jr. D34/24



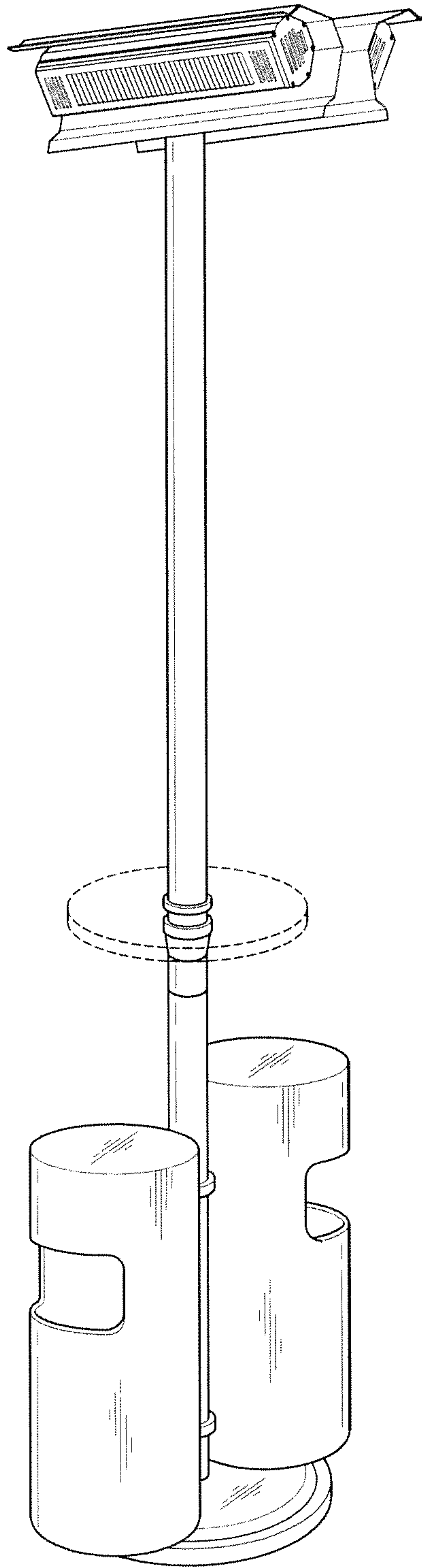


FIG.1

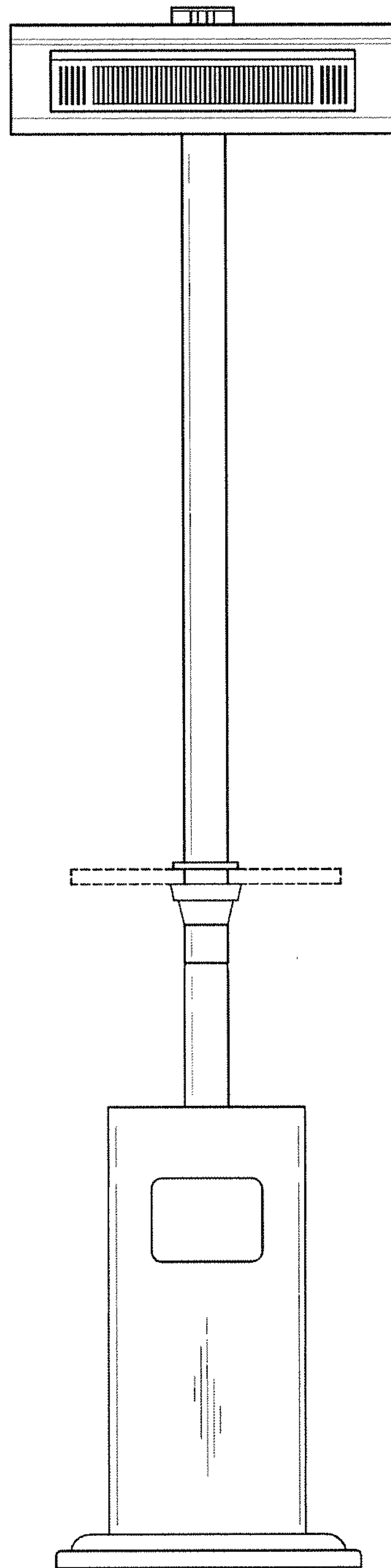


FIG.2

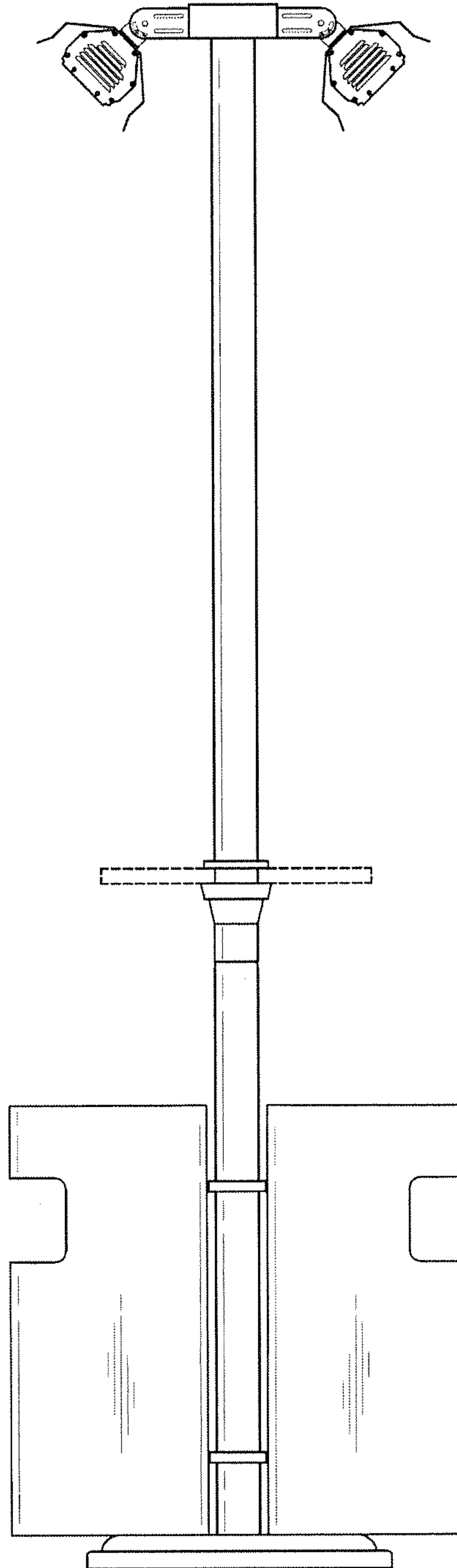


FIG.3

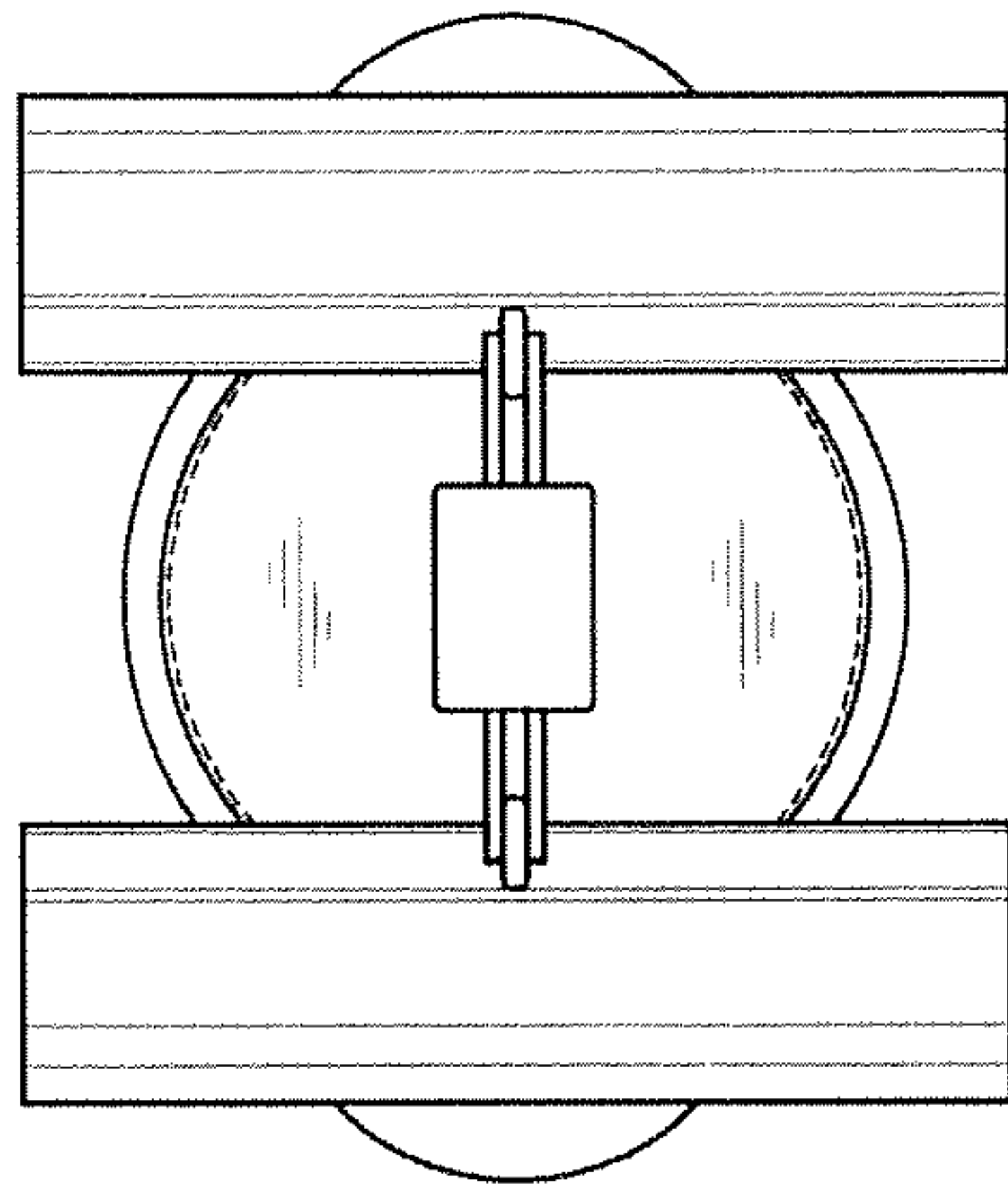


FIG.4