



US00D727581S

(12) **United States Design Patent**
Liang

(10) **Patent No.:** **US D727,581 S**

(45) **Date of Patent:** **** Apr. 21, 2015**

- (54) **COMPOSITE FRAME BODY**
- (71) Applicant: **Hsin-Lien Liang**, Taoyuan Hsien (TW)
- (72) Inventor: **Hsin-Lien Liang**, Taoyuan Hsien (TW)
- (**) Term: **14 Years**
- (21) Appl. No.: **29/454,719**
- (22) Filed: **May 14, 2013**
- (51) **LOC (10) Cl.** **09-09**
- (52) **U.S. Cl.**
USPC **D34/6; D34/5**
- (58) **Field of Classification Search**
USPC D34/1-11; D25/16; 211/85.19;
220/480, 908, 909.1, 909; D20/19, 41
See application file for complete search history.

- D477,900 S * 7/2003 Ditmars, Jr. D34/24
- 6,612,457 B1 * 9/2003 Caron 220/480
- D534,368 S * 1/2007 Karpinski D6/396
- D540,997 S * 4/2007 Richards D34/10
- D548,915 S * 8/2007 Yang et al. D34/6
- D600,046 S * 9/2009 Kelsen D6/449
- D626,355 S * 11/2010 Liang D6/449
- D716,014 S * 10/2014 Gnanendran D34/5

* cited by examiner

Primary Examiner — Cynthia Ramirez

(74) *Attorney, Agent, or Firm* — Rosenberg, Klein & Lee

(57) **CLAIM**

The ornamental design for a composite frame body, as shown and described.

DESCRIPTION

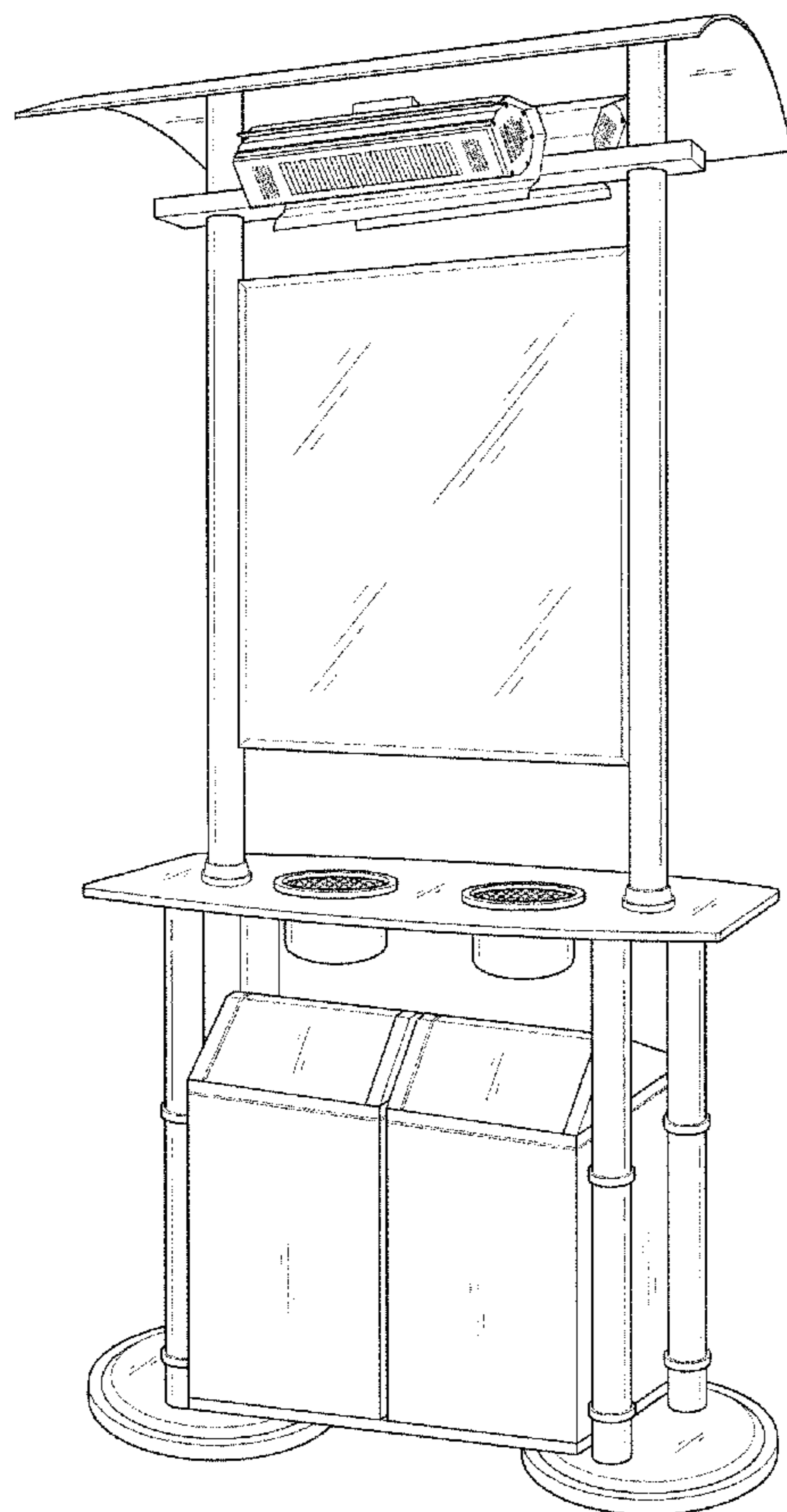
FIG. 1 is a right perspective view of a composite frame body showing my new design;
 FIG. 2 is a front view thereof, the opposite side being a mirror image of the shown;
 FIG. 3 is a right side elevational view thereof, the opposite side being a mirror image of the shown;
 FIG. 4 is a top plan view thereof; and,
 FIG. 5 is a bottom plan view thereof.

1 Claim, 4 Drawing Sheets

(56) **References Cited**

U.S. PATENT DOCUMENTS

- D164,577 S * 9/1951 Henderson D6/450
- 3,162,495 A * 12/1964 Swift 108/23
- D259,081 S * 5/1981 Sharpless et al. D99/28
- D307,208 S * 4/1990 Hemphill D34/5
- 5,551,774 A * 9/1996 Campbell et al. 312/284
- D379,664 S * 6/1997 Horton D25/16



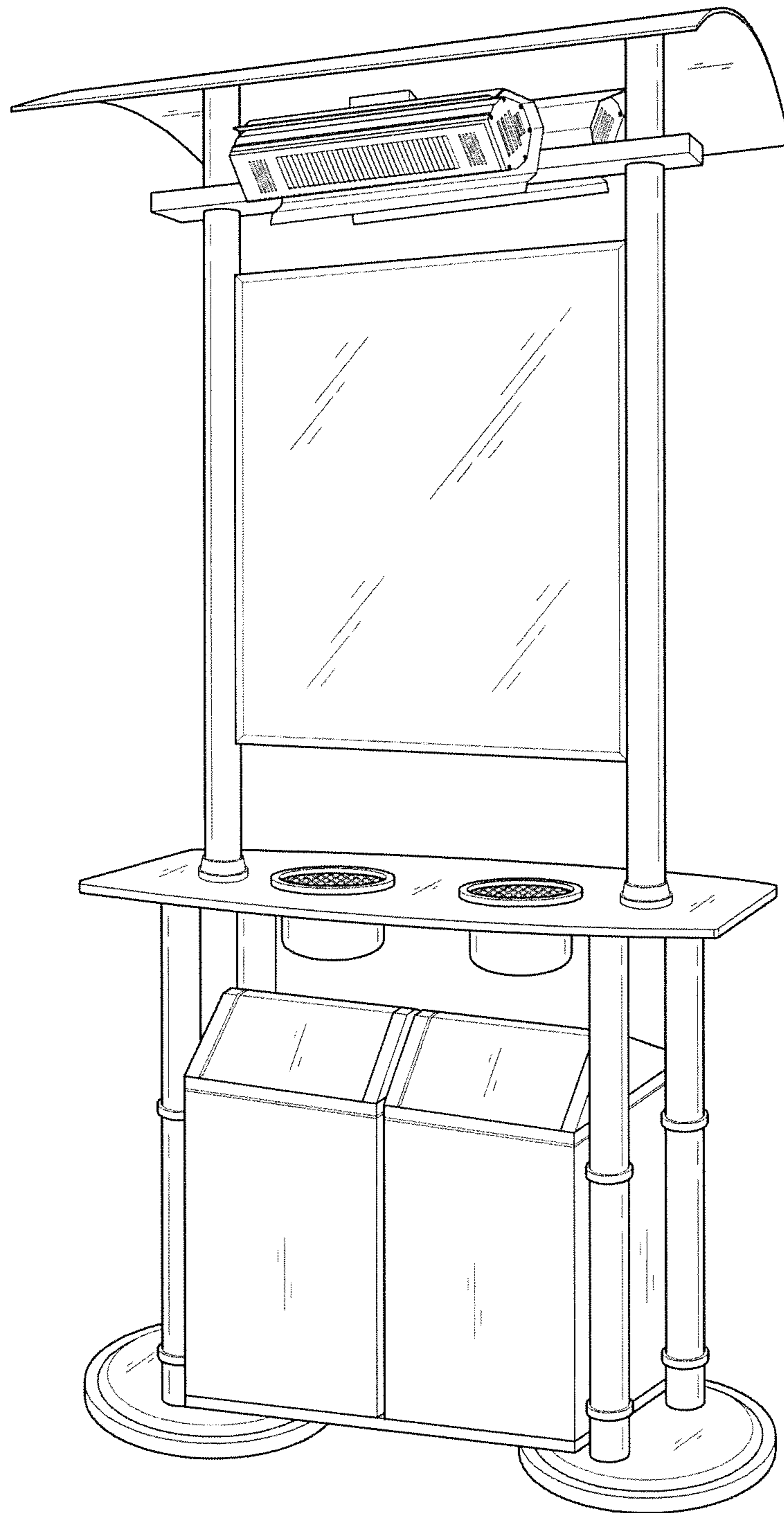


FIG.1

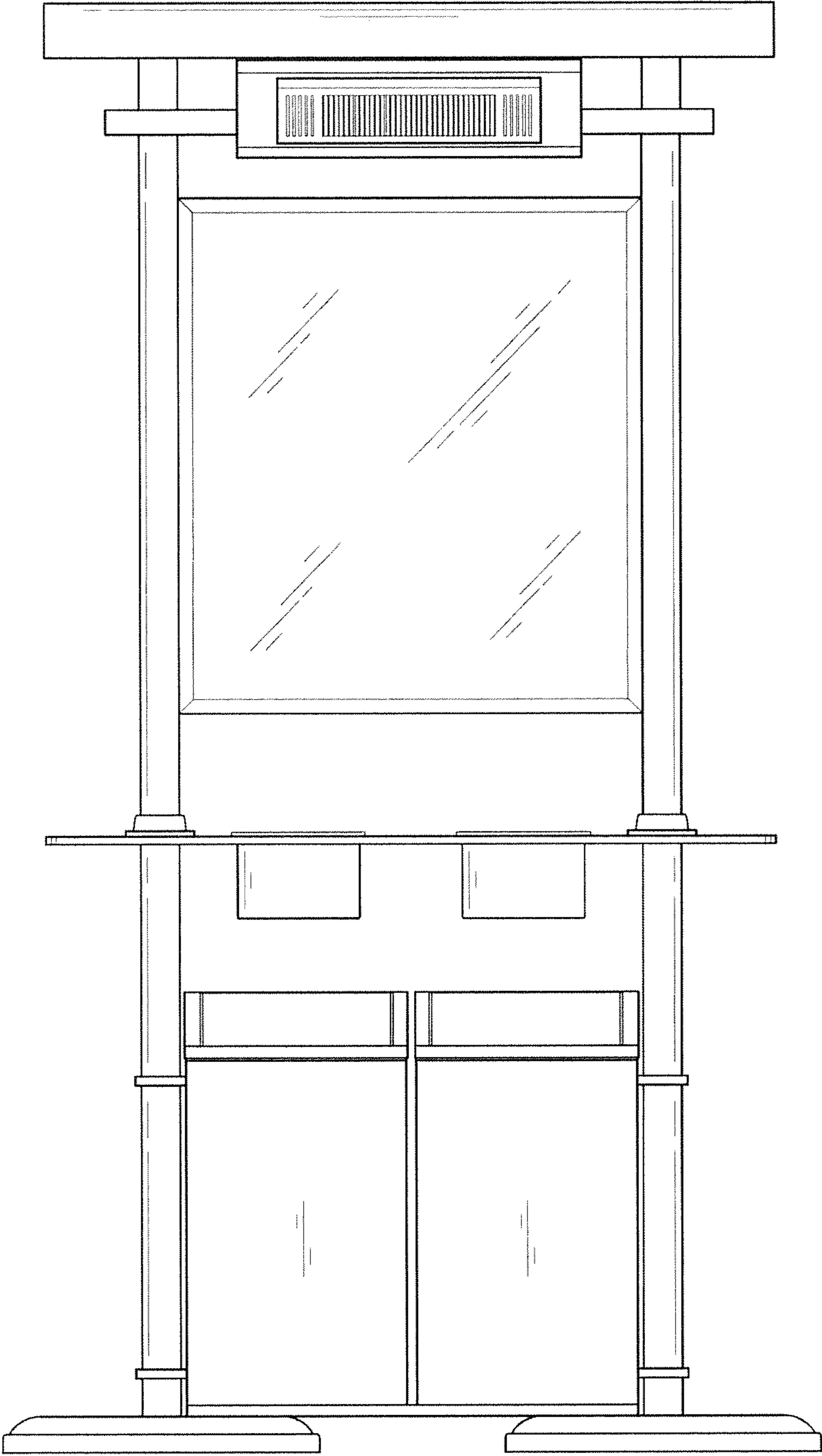


FIG.2

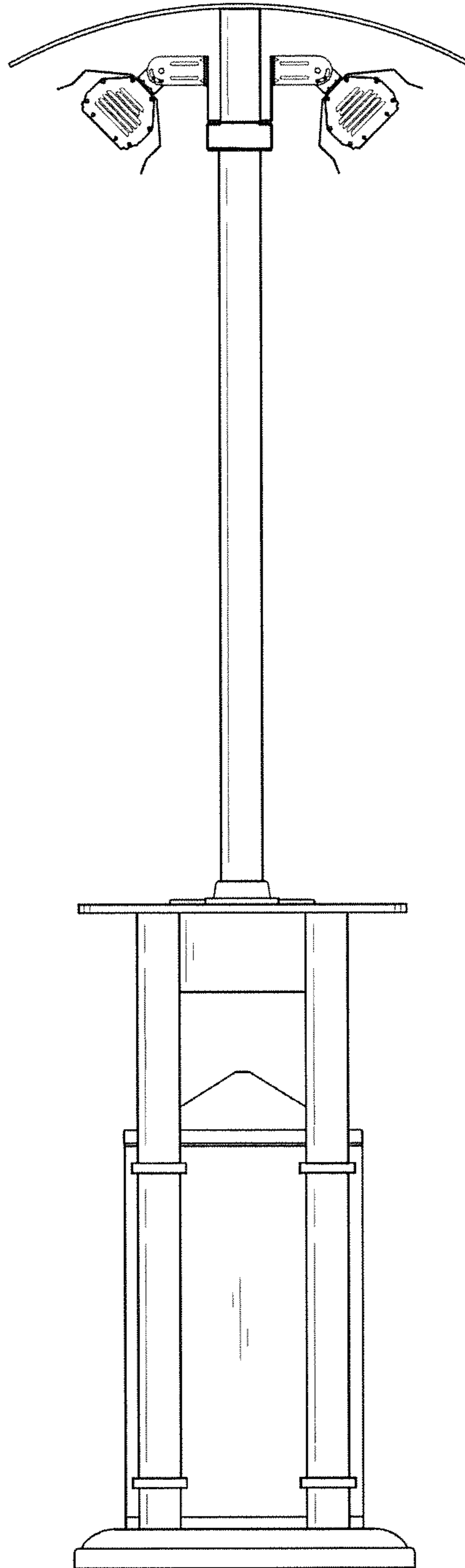


FIG.3

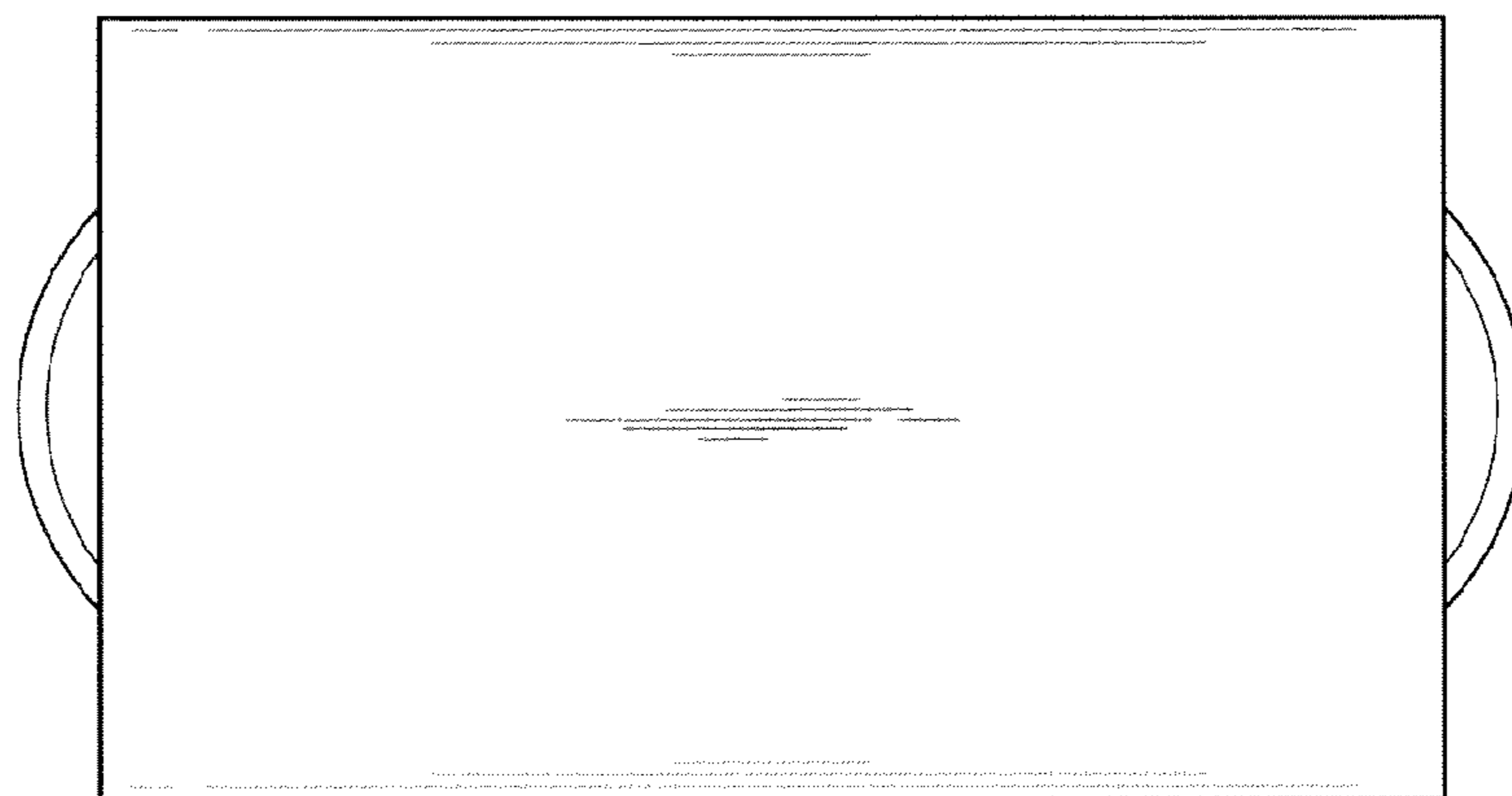


FIG. 4

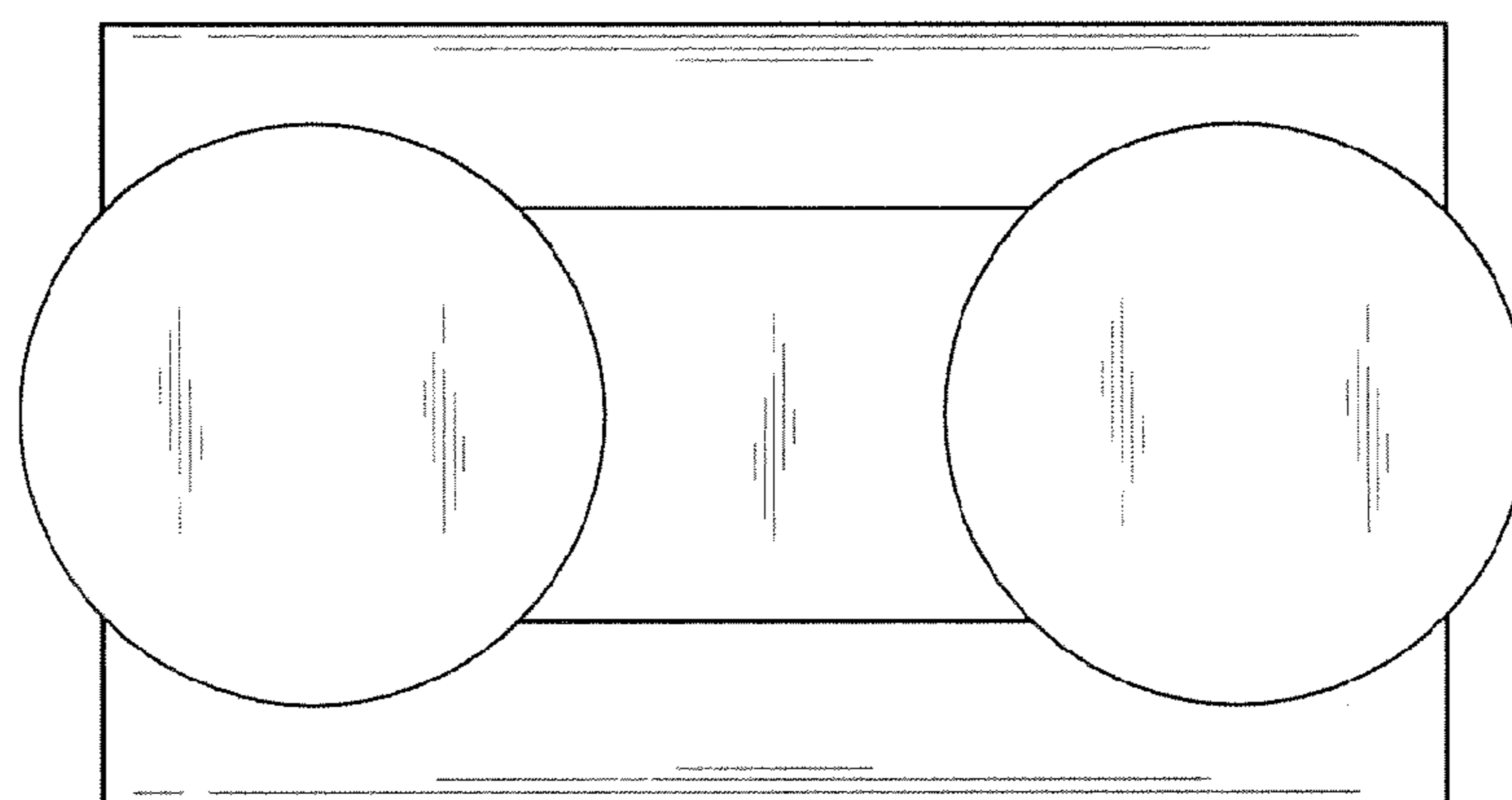


FIG. 5