



US00D727579S

(12) **United States Design Patent**
Willis et al.

(10) **Patent No.:** **US D727,579 S**
(45) **Date of Patent:** **** Apr. 21, 2015**

- (54) **BRUSH CORE FOR A SPONGE BRUSH**
- (75) Inventors: **Robert Willis**, El Dorado Hills, CA (US); **Bradley S. Withers**, El Dorado Hills, CA (US)
- (73) Assignee: **Illinois Tool Works Inc.**, Glenview, IL (US)
- (**) Term: **14 Years**
- (21) Appl. No.: **29/393,743**
- (22) Filed: **Jun. 8, 2011**
- (51) **LOC (10) Cl.** **15-05**
- (52) **U.S. Cl.**
USPC **D32/25; D4/122**
- (58) **Field of Classification Search**
USPC D4/122, 123; 15/88.3, 88.4, 102, 103.5, 15/230, 230.11, 179; 134/6; D32/25, 35, D32/40, 50
See application file for complete search history.

WO	9940611 A	8/1999
WO	0203833 A1	1/2002
WO	2005016599 A	2/2005
WO	2009147747	12/2009
WO	2011040701 A2	4/2011

OTHER PUBLICATIONS

International Search Report for Taiwan Design Application No. 100306710D01 dated Dec. 6, 2013, 2 pages.
Search Report for Singapore Application No. 201309063-4 dated Dec. 22, 2014, 5 pages.

* cited by examiner

Primary Examiner — Melanie H Tung
Assistant Examiner — Lavone D Tabor
(74) *Attorney, Agent, or Firm* — Klintworth & Rozenblat IP LLC

(57) **CLAIM**
The ornamental design for a brush core for a sponge brush, as shown and described.

(56) **References Cited**

U.S. PATENT DOCUMENTS

6,240,588 B1 *	6/2001	Dickey et al.	15/88.3
6,502,273 B1	1/2003	Mihara et al.	
6,981,291 B2	1/2006	McKay	
D622,920 S	8/2010	Bejtlich, III	
8,505,145 B2 *	8/2013	Oohiro et al.	15/102
2001/0022008 A1	9/2001	Dickey	
2002/0020434 A1 *	2/2002	McMullen et al.	134/6
2007/0006405 A1	1/2007	Feng et al.	
2007/0084004 A1	4/2007	Shizawa et al.	
2007/0209135 A1 *	9/2007	Chen et al.	15/230
2010/0288305 A1 *	11/2010	Kobetsky et al.	134/6
2011/0088191 A1	4/2011	Oohiro et al.	

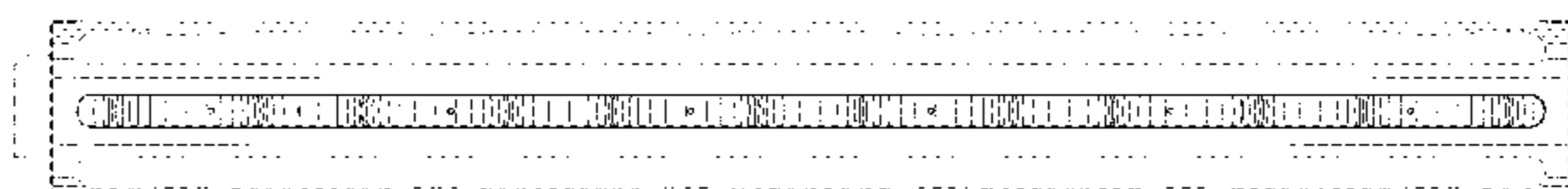
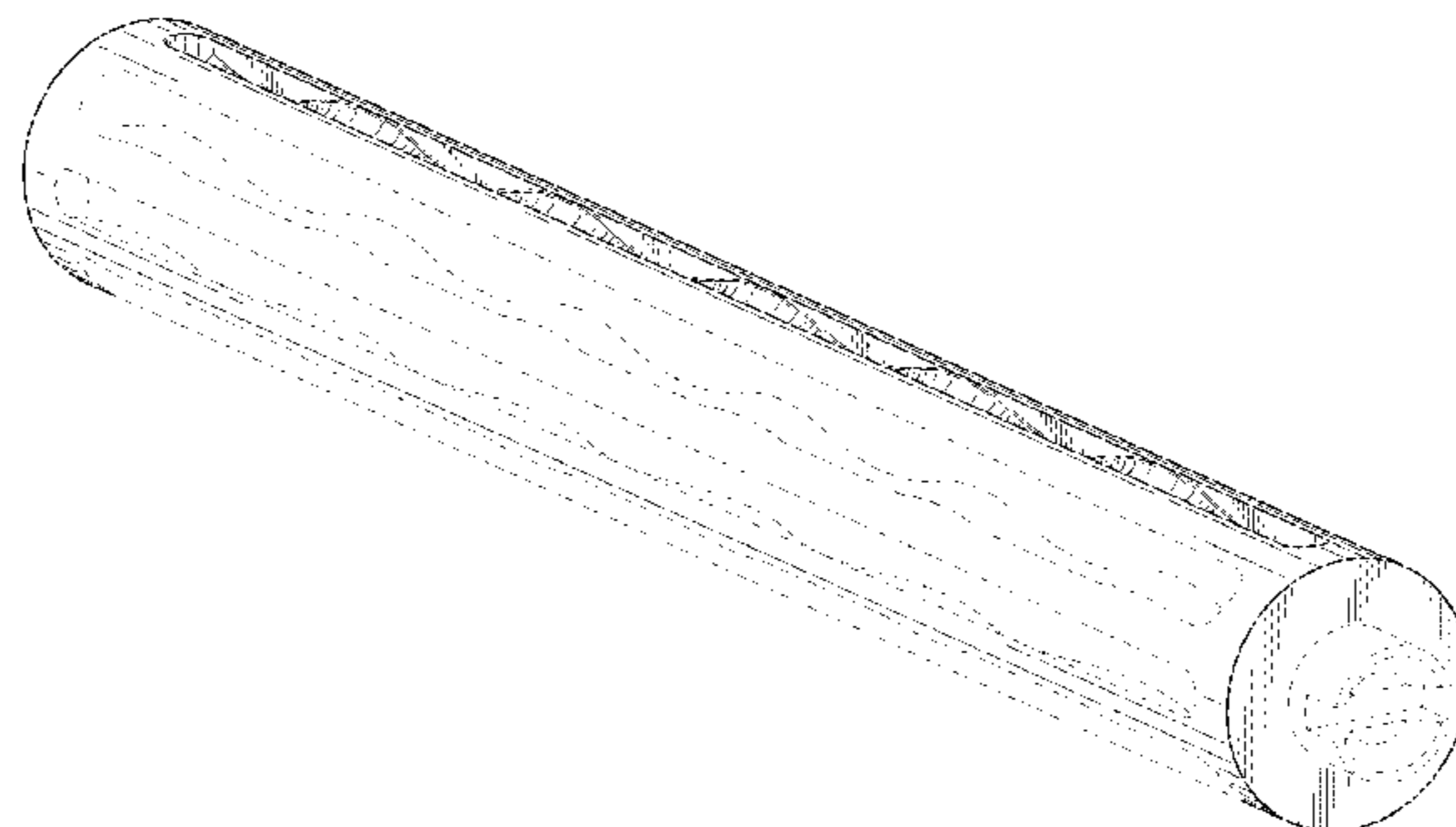
FOREIGN PATENT DOCUMENTS

CN	1913801 A	2/2007
CN	202096154 U	1/2012
EP	1107290 A2	6/2001
JP	2009-33119 A	2/2009

DESCRIPTION

FIG. 1 is a front perspective view of a brush core for a sponge brush showing our new design.
FIG. 2 is a reduced front elevational view of the brush core of FIG. 1.
FIG. 3 is a reduced rear elevational view thereof.
FIG. 4 is a reduced right side elevational view thereof.
FIG. 5 is a reduced left side elevational view thereof.
FIG. 6 is a reduced top plan view thereof; and,
FIG. 7 is a reduced bottom plan view thereof.
The broken lines in FIGS. 1-7 are included for the purpose of illustrating environmental structure only and form no part of the claimed design.

1 Claim, 4 Drawing Sheets



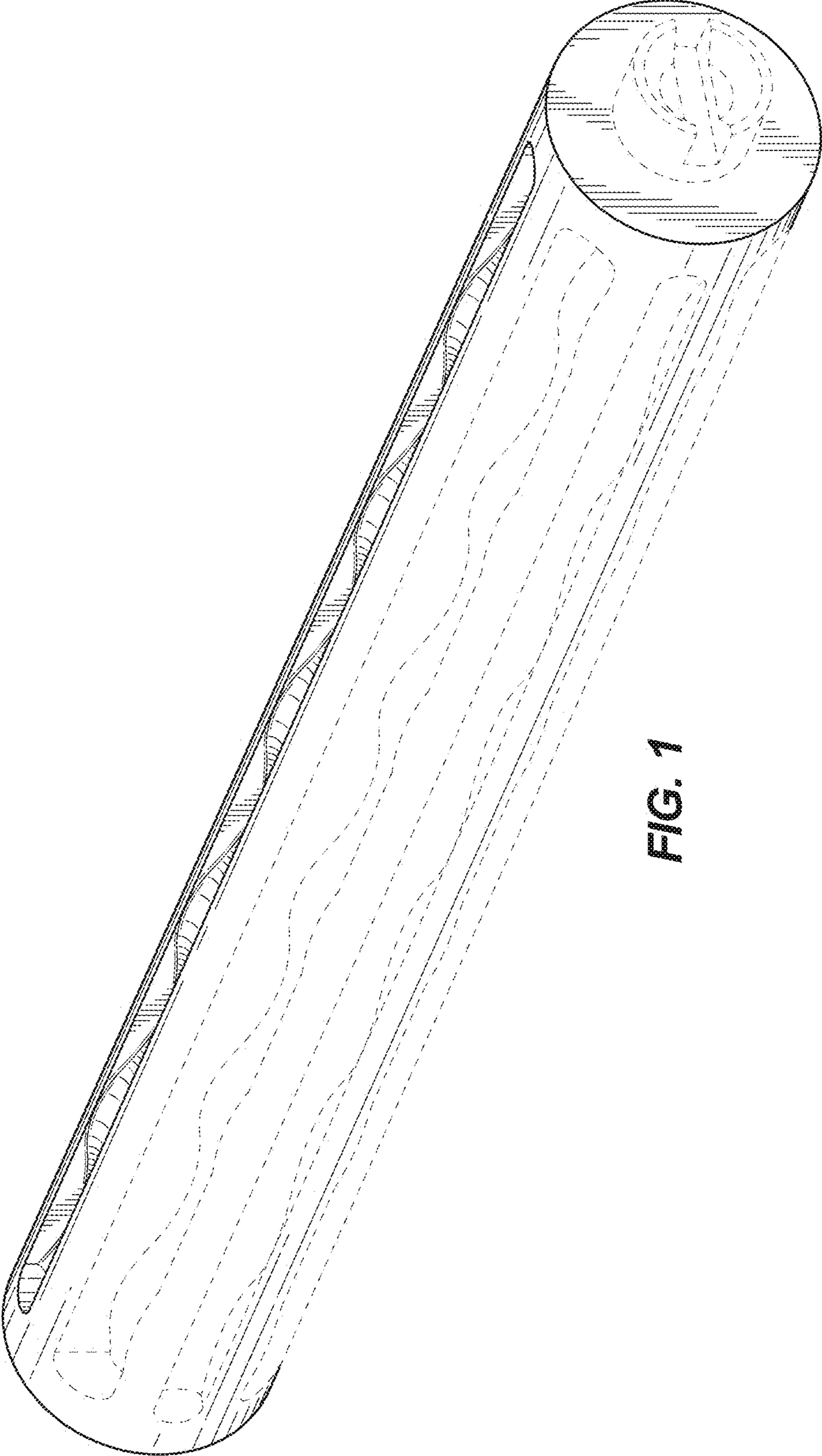


FIG. 1

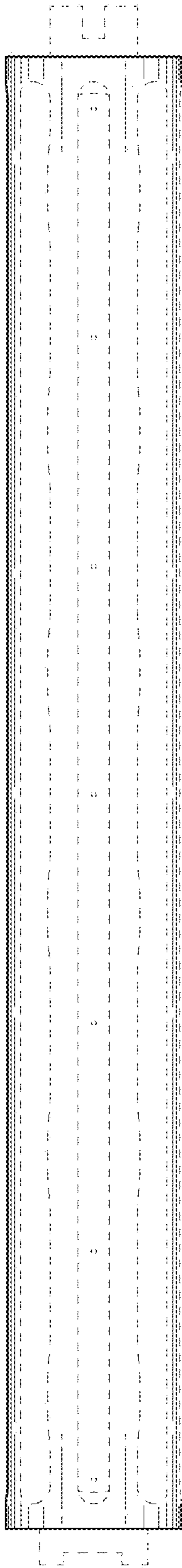


FIG. 2

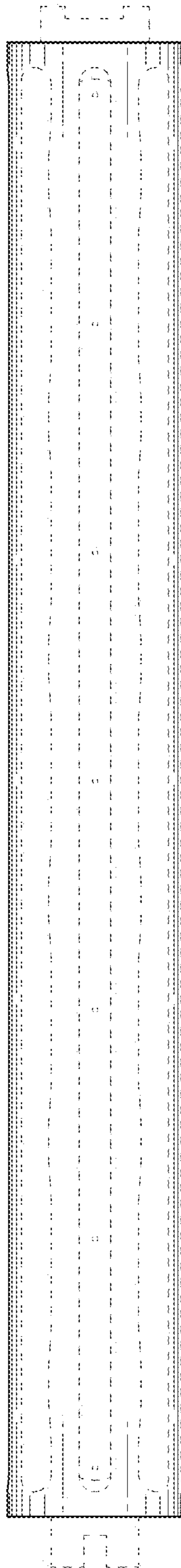


FIG. 3

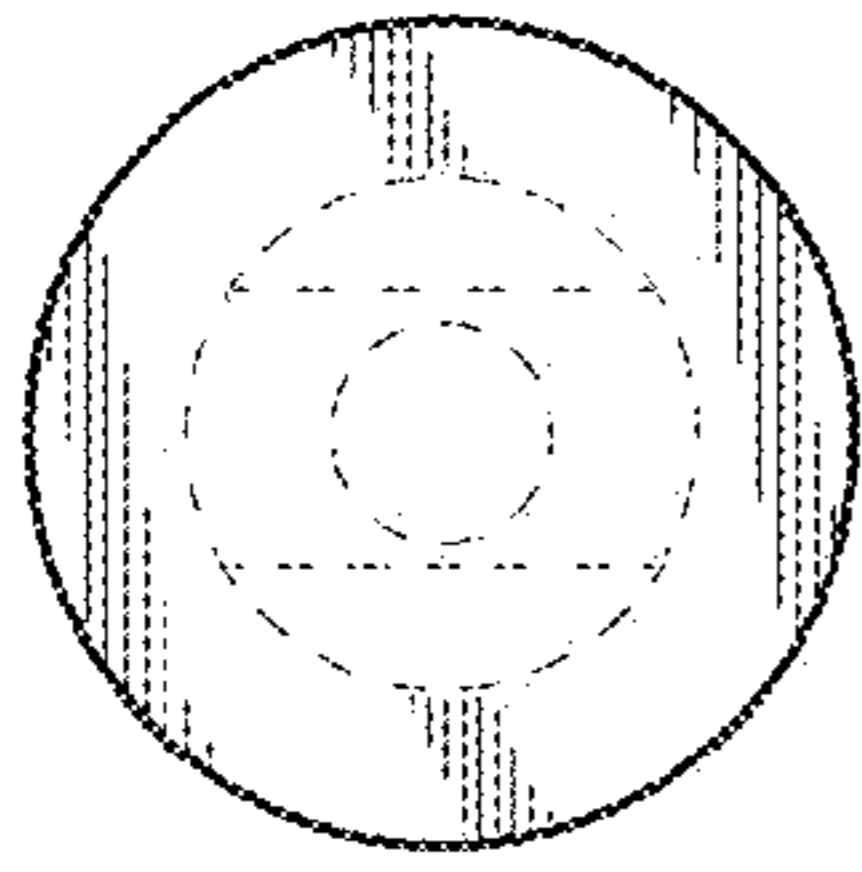


FIG. 4

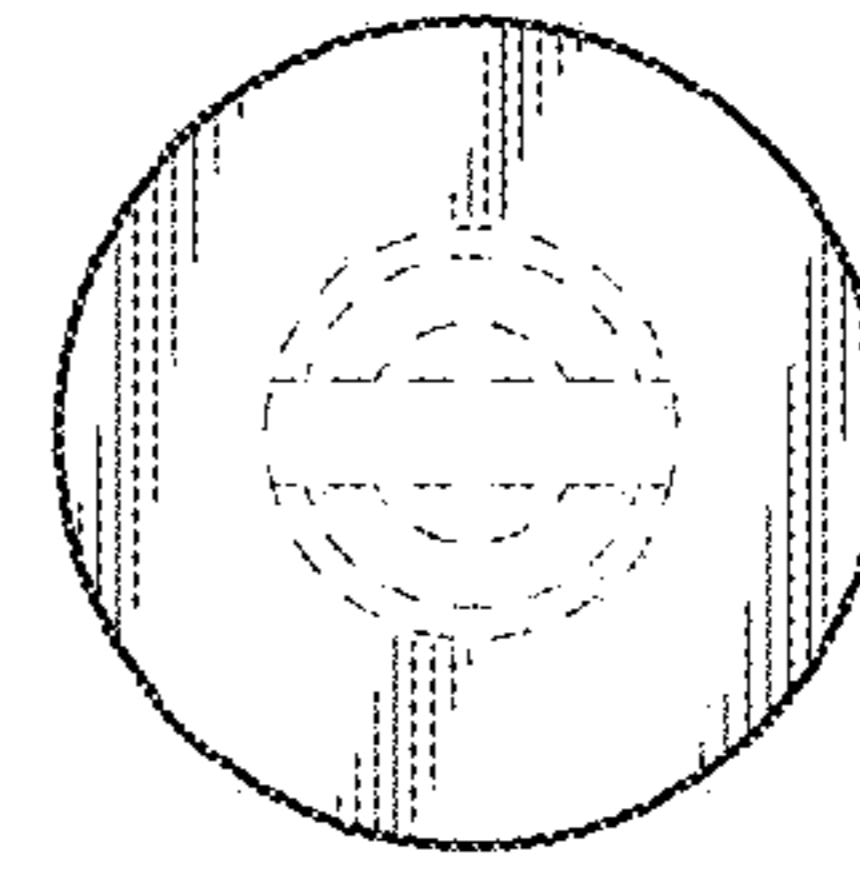


FIG. 5

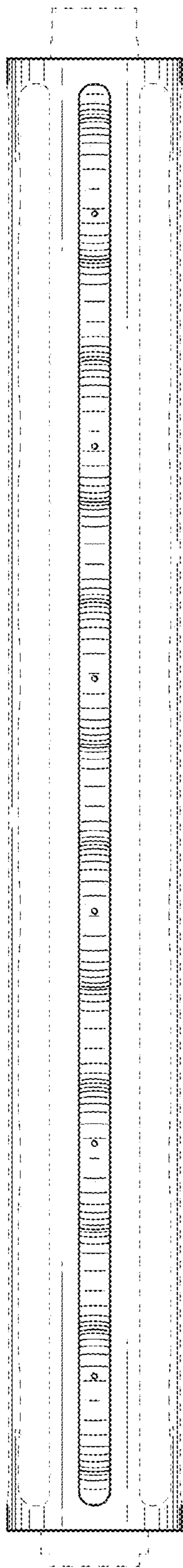


FIG. 6

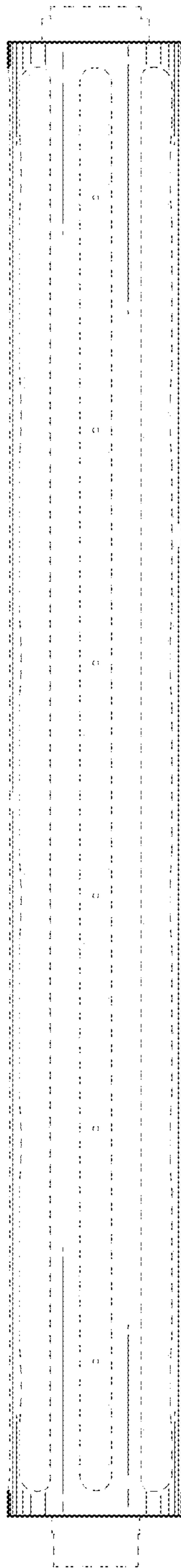


FIG. 7