



US00D727574S

(12) **United States Design Patent**  
**Schroeder et al.**

(10) **Patent No.:** **US D727,574 S**  
(45) **Date of Patent:** **\*\* Apr. 21, 2015**

(54) **HUMMINGBIRD FEEDER COMPONENT**

(74) *Attorney, Agent, or Firm* — Womble Carlyle Sandridge & Rice, LLP

(71) Applicant: **Central Garden & Pet Company**,  
Walnut Creek, CA (US)

(57) **CLAIM**

(72) Inventors: **Brady Matthew Schroeder**, Milton, GA  
(US); **Brian Phillip Povich**, Kennesaw,  
GA (US)

We claim the ornamental design for a hummingbird feeder component, as shown and described.

(73) Assignee: **Central Garden & Pet Company**,  
Walnut Creek, CA (US)

**DESCRIPTION**

(\*\*) Term: **14 Years**

(21) Appl. No.: **29/483,072**

(22) Filed: **Feb. 25, 2014**

(51) **LOC (10) Cl.** ..... **30-03**

(52) **U.S. Cl.**  
USPC ..... **D30/124**; D30/128; D30/127

(58) **Field of Classification Search**  
USPC ..... D30/121, 124, 127, 128, 133, 114, 115,  
D30/116, 117, 118, 119, 125, 126;  
119/51.03, 57.8, 51.01, 52.2, 710, 711,  
119/52.3, 464, 707, 709, 57.9, 124, 51.04;  
43/2, 131; 47/86, 65, 65.5, 67, 39,  
47/41.12, 79; 426/1, 439, 556; D11/121,  
D11/120, 79, 117; 428/10, 18, 27; D7/352,  
D7/356; 156/256, 263; 66/170; 99/372,  
99/377, 403; 425/318, 395, 404; 248/175,  
248/27.8; 211/85.31, 88.03, 23; 362/122,  
362/227, 249.15, 249.16, 249.18, 806  
See application file for complete search history.

FIG. 1 is a front, top perspective view of a hummingbird feeder component in a first configuration, in accordance with the present invention;  
FIG. 2 is a front elevation view of the hummingbird feeder component of FIG. 1 in the first configuration;  
FIG. 3 is a rear elevation view of the hummingbird feeder component of FIG. 1 in the first configuration;  
FIG. 4 is a left elevation view of the hummingbird feeder component of FIG. 1 in the first configuration;  
FIG. 5 is a right elevation view of the hummingbird feeder component of FIG. 1 in the first configuration;  
FIG. 6 is a top plan view of the hummingbird feeder component of FIG. 1 in the first configuration;  
FIG. 7 is a bottom plan view of the hummingbird feeder component of FIG. 1 in the first configuration;  
FIG. 8 is a front, top perspective view of the hummingbird feeder component of FIG. 1 in a second configuration, in accordance with the present invention;  
FIG. 9 is a front elevation view of the hummingbird feeder component of FIG. 1 in the second configuration;  
FIG. 10 is a rear elevation view of the hummingbird feeder component of FIG. 1 in the second configuration;  
FIG. 11 is a left elevation view of the hummingbird feeder component of FIG. 1 in the second configuration;  
FIG. 12 is a right elevation view of the hummingbird feeder component of FIG. 1 in the second configuration;  
FIG. 13 is a top plan view of the hummingbird feeder component of FIG. 1 in the second configuration; and,  
FIG. 14 is a bottom plan view of the hummingbird feeder component of FIG. 1 in the second configuration.

The broken lines shown herein are for illustrative purposes and form no part of the claimed design. In FIGS. 1-6 and 8-13, the broken lines in the form of an alternating series of relatively short dashes and relatively long dashes represent the bounds of the claimed design.

(56) **References Cited**

**U.S. PATENT DOCUMENTS**

1,233,207 A \* 7/1917 Elbe ..... 248/522  
2,504,282 A \* 4/1950 Tobias ..... 119/51.03

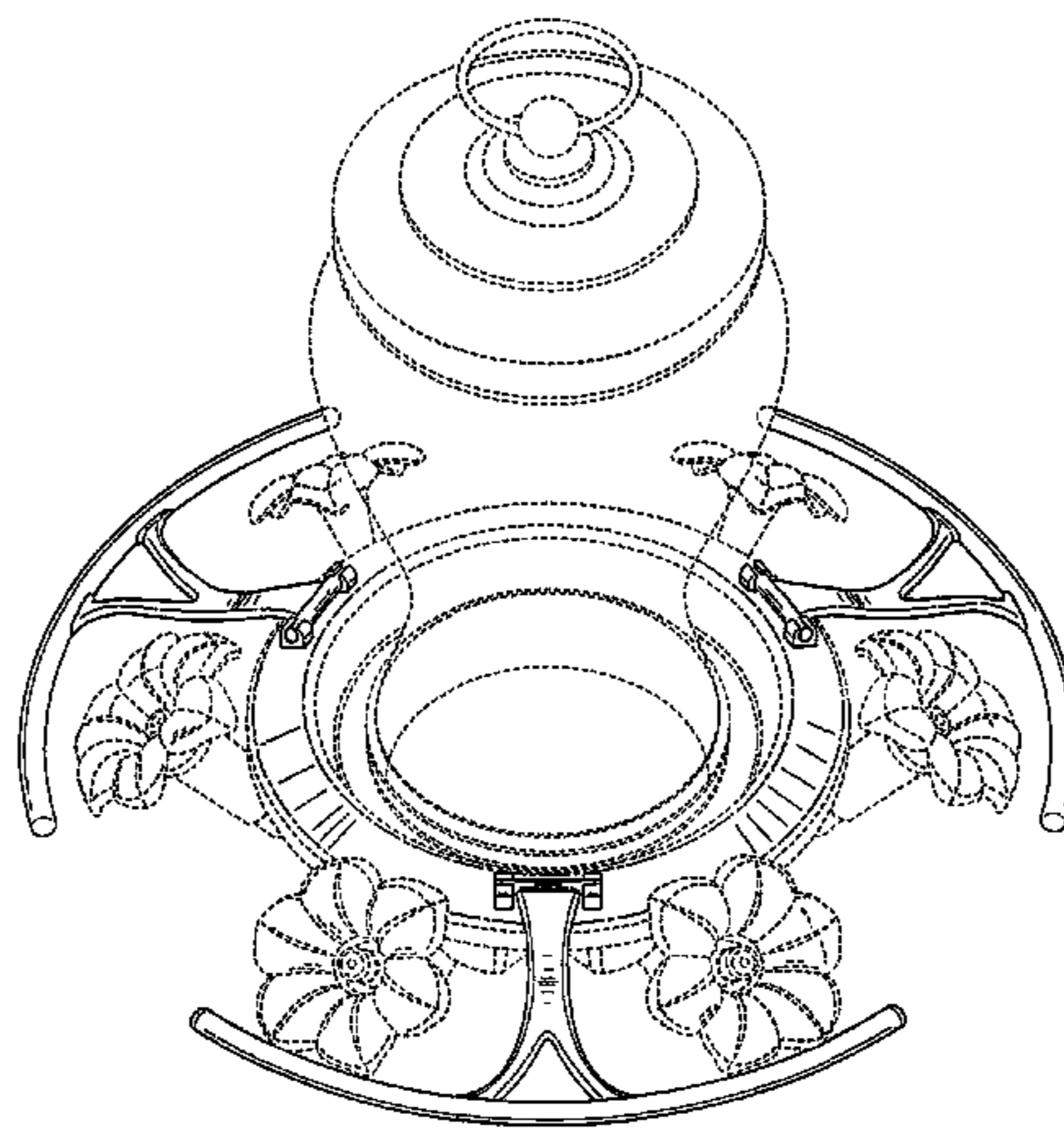
(Continued)

**OTHER PUBLICATIONS**

U.S. Appl. No. 29/483,078, filed Feb. 25, 2014, Schroeder.

*Primary Examiner* — Susan Moon Lee

**1 Claim, 14 Drawing Sheets**



(56)

References Cited

U.S. PATENT DOCUMENTS

D165,628 S 1/1952 Blazier  
D174,139 S 3/1955 Sadler  
2,875,729 A \* 3/1959 Gibson ..... 119/52.2  
2,891,747 A \* 6/1959 Steede ..... 47/40.5  
3,244,150 A 4/1966 Blair  
D241,860 S \* 10/1976 Calamia ..... D30/128  
4,014,365 A \* 3/1977 Peterson et al. .... 137/549  
4,019,462 A \* 4/1977 Palfalvy ..... 119/51.5  
4,223,637 A \* 9/1980 Keefe ..... 119/52.2  
D267,355 S 12/1982 Blasbalg  
4,434,745 A 3/1984 Perkins et al.  
D273,429 S 4/1984 Kilham  
4,441,458 A \* 4/1984 Mercil ..... 119/57.9  
D274,563 S 7/1984 Blasbalg  
4,498,423 A \* 2/1985 Gainsboro et al. .... 119/57.8  
4,664,066 A \* 5/1987 Steuernagel et al. .... 119/52.2  
4,691,665 A 9/1987 Hefner  
4,712,512 A \* 12/1987 Schreib et al. .... 119/52.2  
D297,520 S \* 9/1988 Thomas ..... D11/130.1  
D302,875 S \* 8/1989 Earl ..... D30/124  
4,977,859 A 12/1990 Kilham  
4,980,990 A \* 1/1991 Hiday ..... 43/107  
4,989,820 A \* 2/1991 Sterling ..... 248/523  
5,195,463 A 3/1993 Lorenzana  
5,303,674 A \* 4/1994 Hyde, Jr. .... 119/77  
5,309,867 A \* 5/1994 Cruz ..... 119/52.3  
5,377,617 A 1/1995 Harwich  
5,479,879 A 1/1996 Biek  
5,507,249 A 4/1996 Shaw  
5,558,040 A 9/1996 Colwell et al.  
D374,195 S \* 10/1996 Wright et al. .... D11/130.1  
D384,442 S \* 9/1997 Cirelli ..... D30/119  
5,682,835 A 11/1997 Walter et al.  
D397,529 S \* 8/1998 Fuller et al. .... D30/124  
5,947,054 A \* 9/1999 Liethen ..... 119/57.9  
D449,560 S \* 10/2001 Krinner et al. .... D11/130.1  
D454,669 S 3/2002 Lieb  
6,360,690 B1 \* 3/2002 Canby ..... 119/52.2  
6,439,158 B1 \* 8/2002 Blohm ..... 119/57.8  
6,443,357 B1 \* 9/2002 Marbe et al. .... 229/137  
6,446,859 B1 \* 9/2002 Holladay ..... 229/109  
D472,351 S \* 3/2003 Griffin ..... D30/128  
6,578,518 B1 \* 6/2003 Conforti ..... 119/57.8  
6,588,651 B2 \* 7/2003 Quaintance ..... 229/109  
6,622,654 B2 \* 9/2003 Fasino ..... 119/57.9  
6,659,041 B1 12/2003 Curts  
6,662,745 B2 12/2003 Chrisco et al.  
6,834,792 B1 \* 12/2004 Perkins ..... 229/109  
6,932,266 B2 \* 8/2005 Jones et al. .... 229/199  
6,935,508 B2 \* 8/2005 Stone et al. .... 206/600  
D509,325 S 9/2005 Jung et al.  
7,021,241 B2 \* 4/2006 Nock ..... 119/57.8  
7,021,598 B2 \* 4/2006 Kao ..... 248/521  
7,040,251 B2 5/2006 Fort, II  
D524,490 S 7/2006 Obenshain  
7,086,352 B2 \* 8/2006 Goodger ..... 119/537  
D530,457 S 10/2006 Jung et al.  
7,128,257 B2 \* 10/2006 Hyatt et al. .... 229/183  
D543,895 S \* 6/2007 Bolster ..... D11/130.1  
D546,506 S 7/2007 Barszcz et al.  
D555,841 S 11/2007 Fan  
D575,188 S \* 8/2008 Bycraft ..... D11/130.1  
7,434,721 B2 \* 10/2008 Feltz ..... 229/109  
7,448,346 B1 \* 11/2008 Stone et al. .... 119/52.3  
D588,756 S 3/2009 Colvin et al.  
7,549,394 B2 \* 6/2009 Nock ..... 119/57.8  
7,600,487 B2 10/2009 Stone et al.

7,618,022 B2 \* 11/2009 Thurner ..... 254/223  
D606,708 S 12/2009 McMullen  
D606,709 S 12/2009 McMullen  
7,651,024 B2 \* 1/2010 Barner ..... 229/199  
D609,863 S \* 2/2010 Gardner ..... D30/124  
7,654,440 B2 \* 2/2010 Quaintance et al. .... 229/109  
7,739,982 B2 \* 6/2010 Cote ..... 119/57.9  
7,752,806 B2 \* 7/2010 Krinner ..... 47/40.5  
7,861,671 B2 1/2011 Carter et al.  
7,891,319 B2 2/2011 Stone et al.  
D637,359 S \* 5/2011 Gardner ..... D30/124  
D646,027 S \* 9/2011 Colwell ..... D30/124  
8,051,803 B2 11/2011 Gauker et al.  
8,056,798 B2 \* 11/2011 Clohessy ..... 229/122.32  
D656,690 S 3/2012 Tu  
8,201,519 B2 6/2012 Humphries et al.  
8,312,842 B2 \* 11/2012 Schumann ..... 119/52.2  
8,347,818 B2 1/2013 Cowger et al.  
D676,614 S 2/2013 Fields et al.  
D677,016 S \* 2/2013 Carter ..... D30/127  
D678,625 S \* 3/2013 Carter et al. .... D30/124  
D678,627 S \* 3/2013 Carter ..... D30/127  
D679,059 S \* 3/2013 Carter ..... D30/127  
D679,453 S \* 4/2013 Krueger et al. .... D30/128  
D683,911 S 6/2013 Muhr et al.  
8,522,718 B2 9/2013 Cruz et al.  
D696,820 S \* 12/2013 DiOrio ..... D30/124  
D698,098 S 1/2014 Muhr et al.  
D698,099 S 1/2014 Muhr et al.  
D698,100 S 1/2014 Muhr et al.  
D698,101 S 1/2014 Muhr et al.  
D698,501 S 1/2014 Muhr et al.  
8,763,326 B2 \* 7/2014 Takeshima ..... 52/236.1  
2001/0029899 A1 10/2001 Arlitt  
2004/0118354 A1 6/2004 Cox et al.  
2005/0051695 A1 \* 3/2005 Kovach ..... 248/524  
2006/0065202 A1 3/2006 Fort, II et al.  
2006/0090707 A1 5/2006 Donegan  
2006/0118056 A1 6/2006 Kuelbs  
2006/0124709 A1 \* 6/2006 Hengami ..... 229/110  
2007/0272161 A1 \* 11/2007 Stone et al. .... 119/51.01  
2007/0289540 A1 12/2007 Stone et al.  
2008/0035068 A1 2/2008 Gou  
2008/0105206 A1 \* 5/2008 Rich et al. .... 119/57.9  
2008/0251025 A1 10/2008 Guay et al.  
2008/0257273 A1 \* 10/2008 Carter et al. .... 119/72  
2009/0159008 A1 6/2009 Humphries et al.  
2009/0188432 A1 \* 7/2009 McMullen ..... 119/57.9  
2009/0320765 A1 \* 12/2009 Gauker et al. .... 119/75  
2010/0089330 A1 \* 4/2010 McMullen ..... 119/52.3  
2010/0192866 A1 \* 8/2010 McMullen ..... 119/77  
2010/0224132 A1 9/2010 Gauker et al.  
2010/0229801 A1 9/2010 Stone et al.  
2010/0242848 A1 \* 9/2010 Vaughn et al. .... 119/77  
2010/0288201 A1 \* 11/2010 Lush ..... 119/52.4  
2011/0083610 A1 4/2011 Côté  
2011/0100299 A1 \* 5/2011 Colwell ..... 119/52.2  
2011/0168101 A1 7/2011 Guay et al.  
2011/0297095 A1 12/2011 Cruz et al.  
2012/0060762 A1 3/2012 Cowger et al.  
2012/0132145 A1 5/2012 Gauker et al.  
2012/0216750 A1 8/2012 Cruz et al.  
2012/0285387 A1 11/2012 Humphries et al.  
2012/0318200 A1 12/2012 Van Dyk et al.  
2014/0109835 A1 \* 4/2014 Colvin et al. .... 119/74  
2014/0109836 A1 \* 4/2014 Gauker et al. .... 119/75  
2014/0137804 A1 \* 5/2014 Chen et al. .... 119/72  
2014/0158056 A1 \* 6/2014 Vaughn et al. .... 119/72  
2014/0318464 A1 \* 10/2014 Gauker et al. .... 119/72

\* cited by examiner

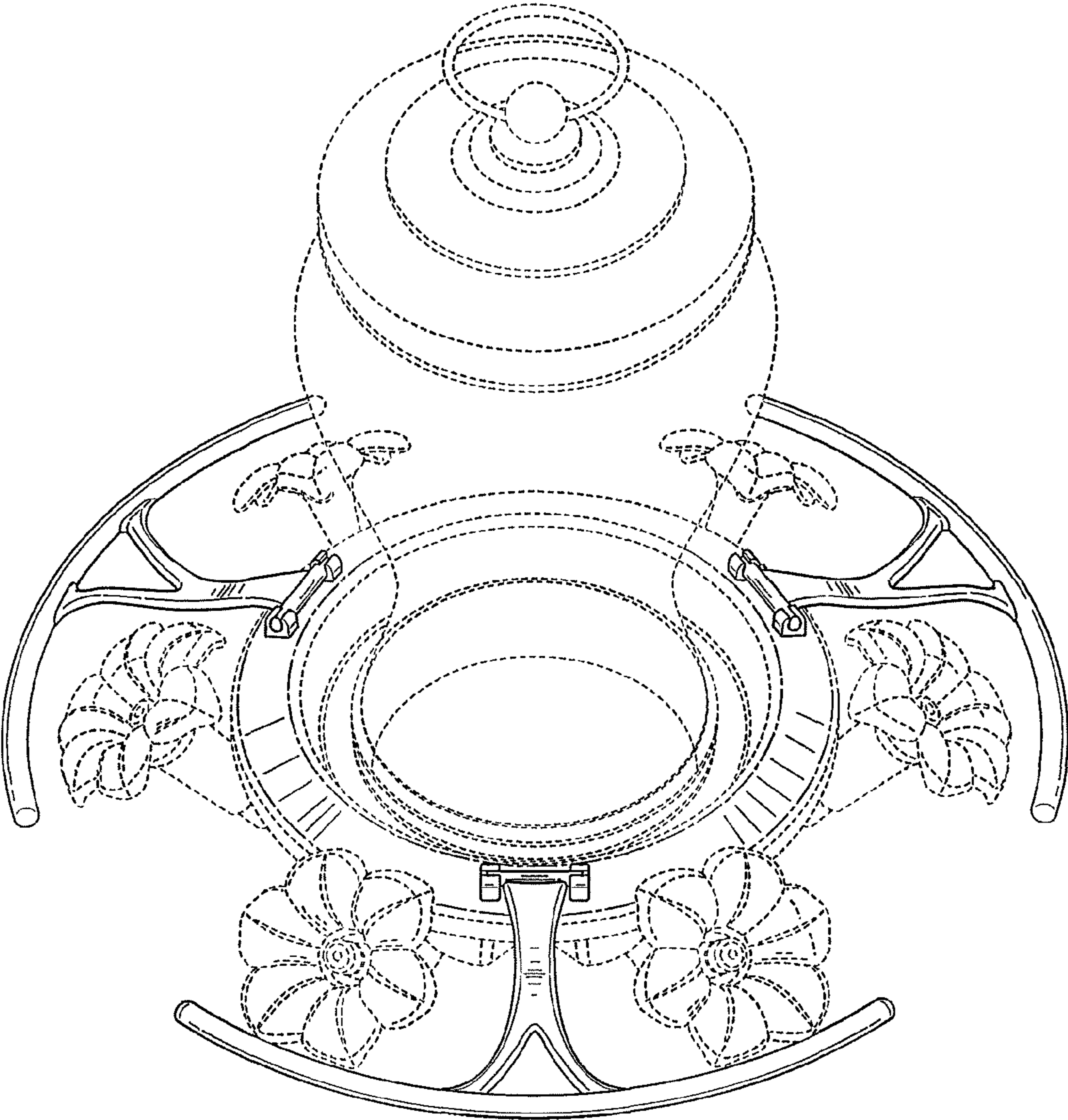


FIG. 1

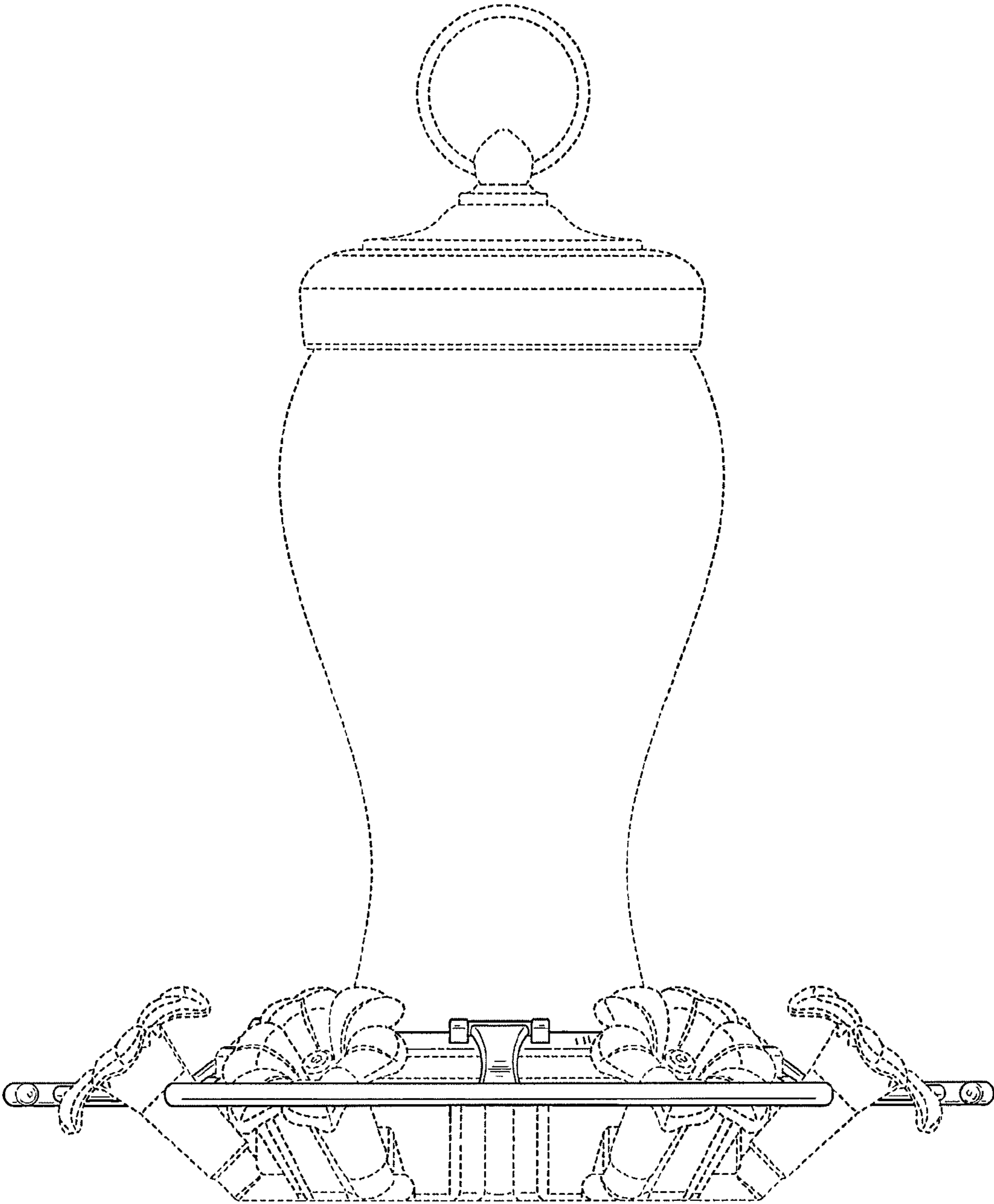


FIG. 2

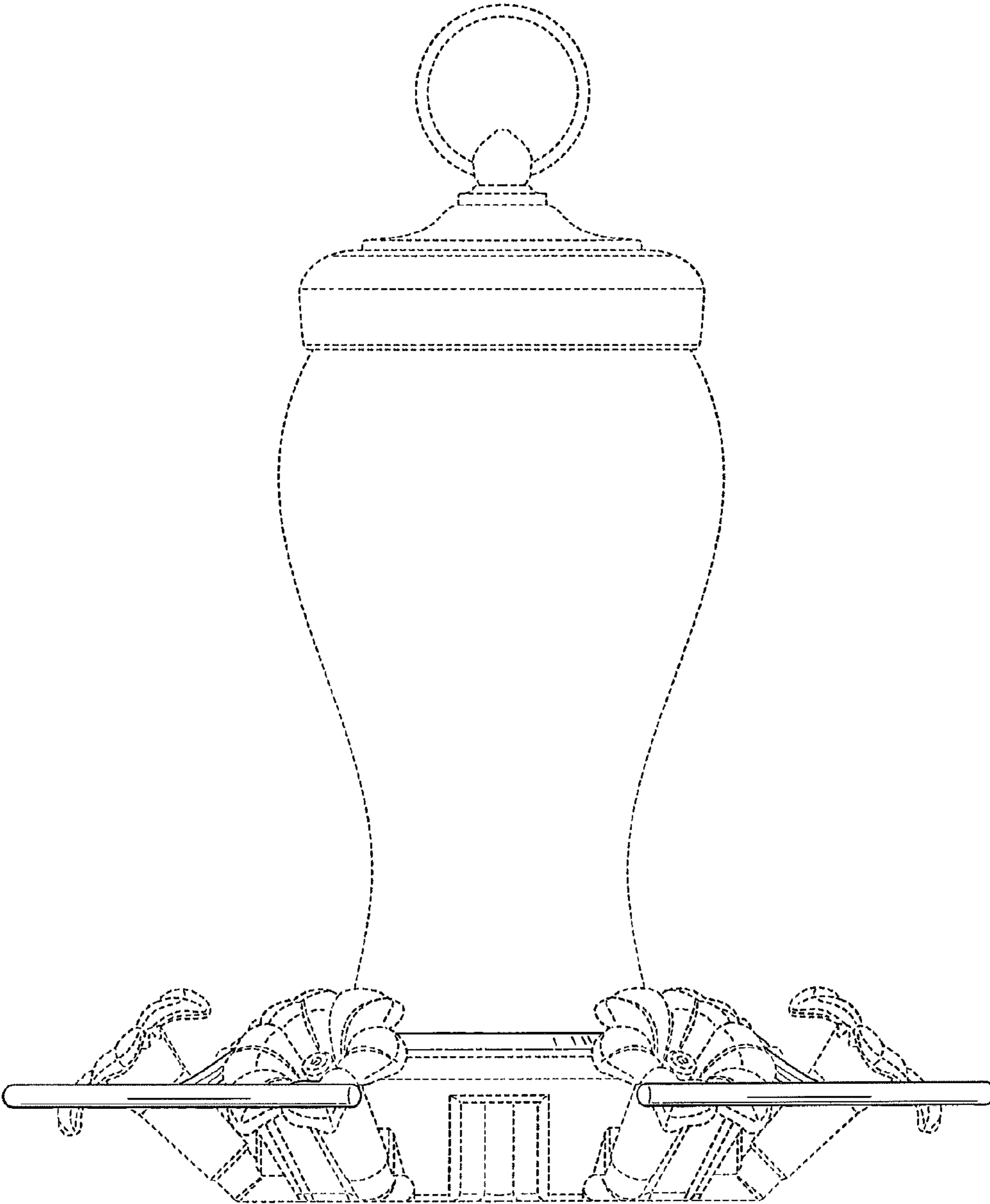


FIG. 3

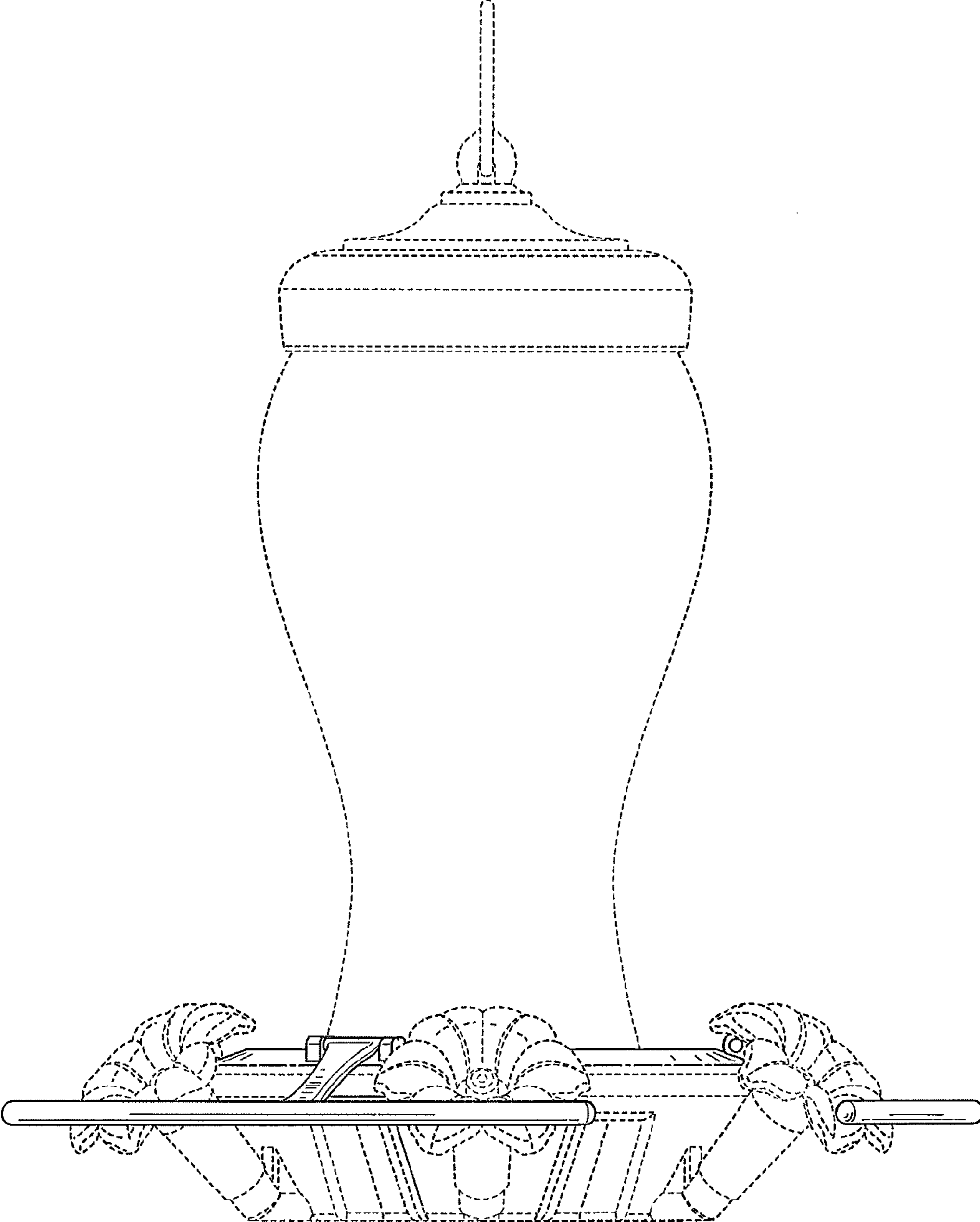


FIG. 4

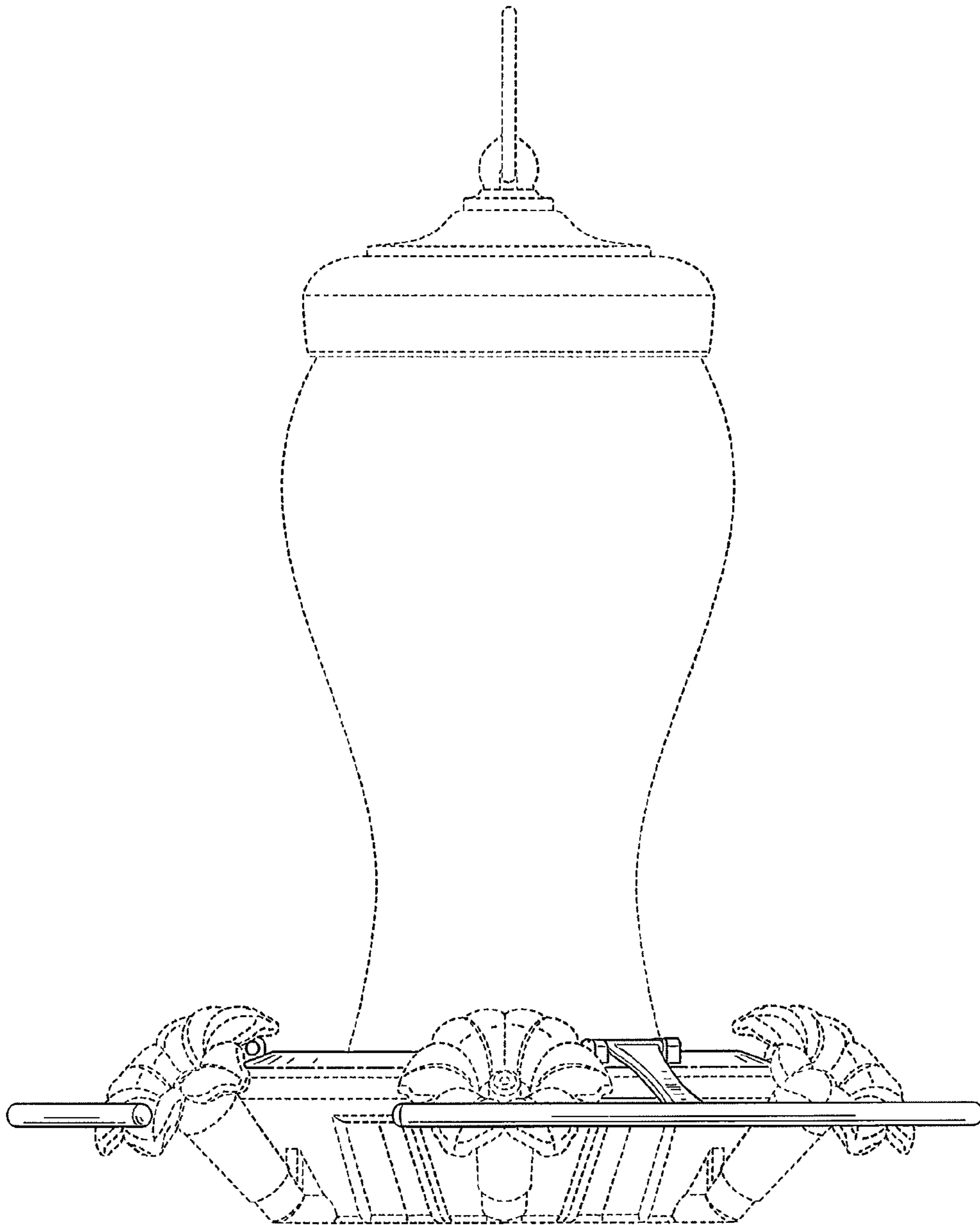


FIG. 5

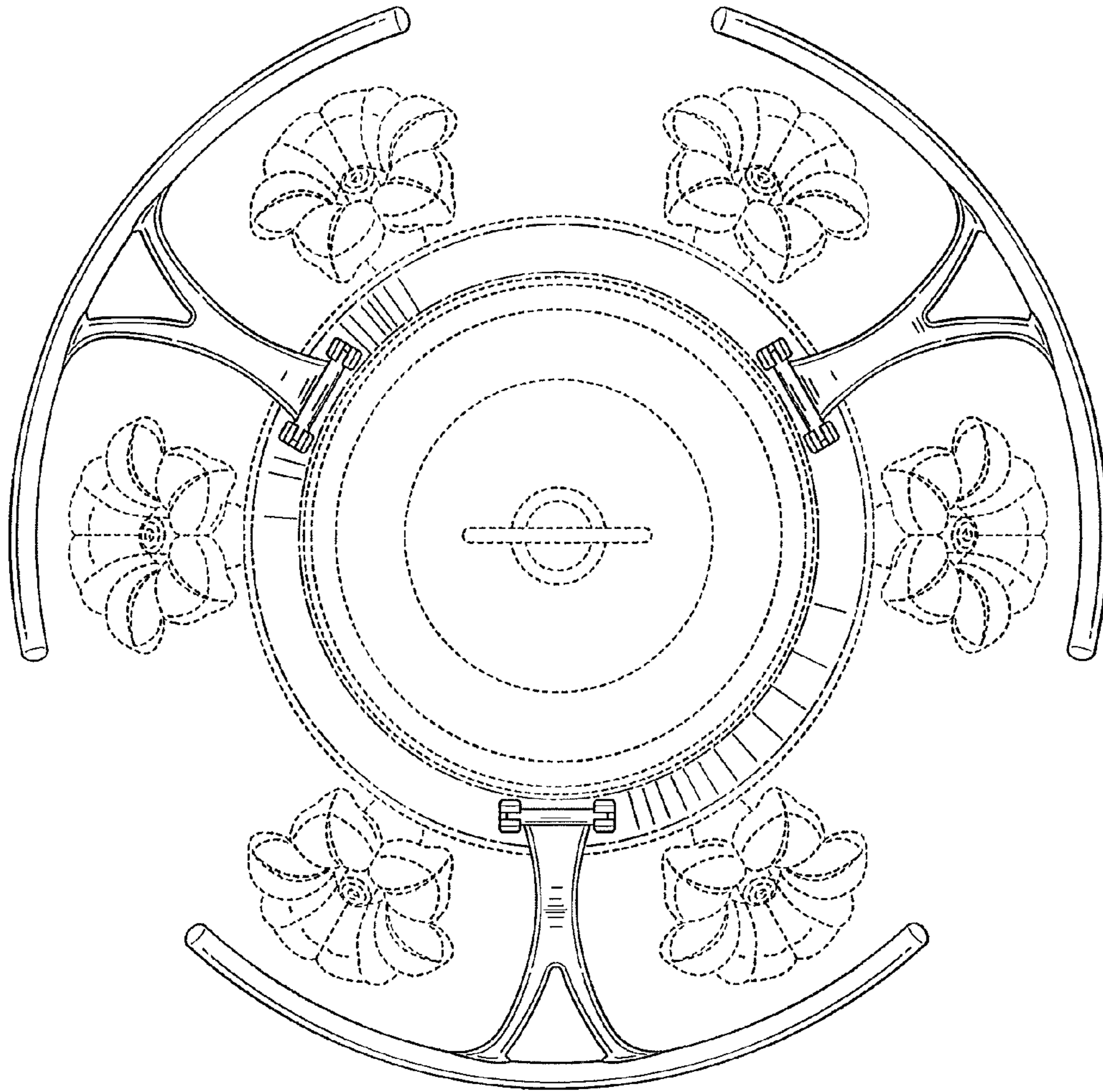


FIG. 6



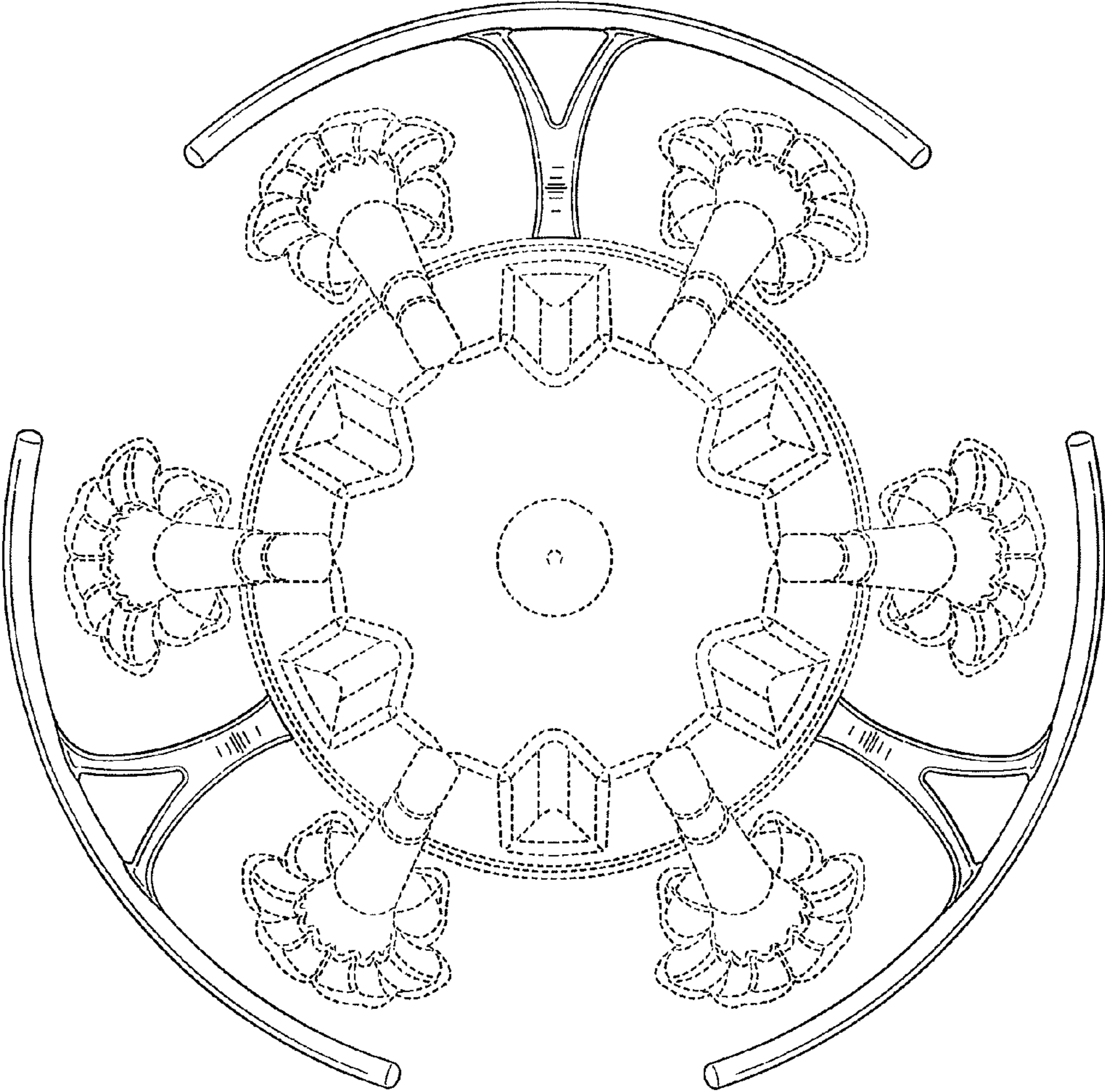


FIG. 7

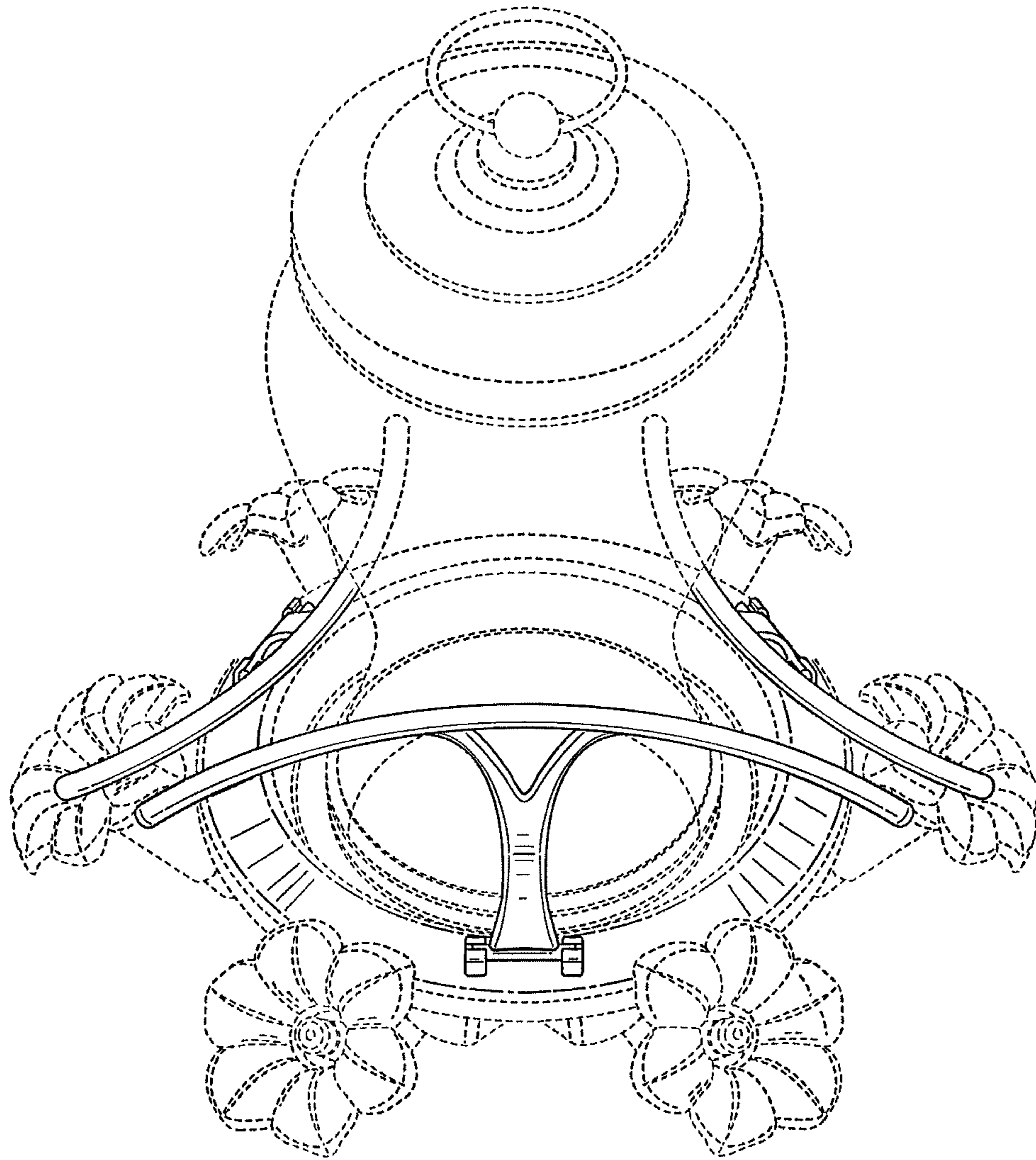


FIG. 8

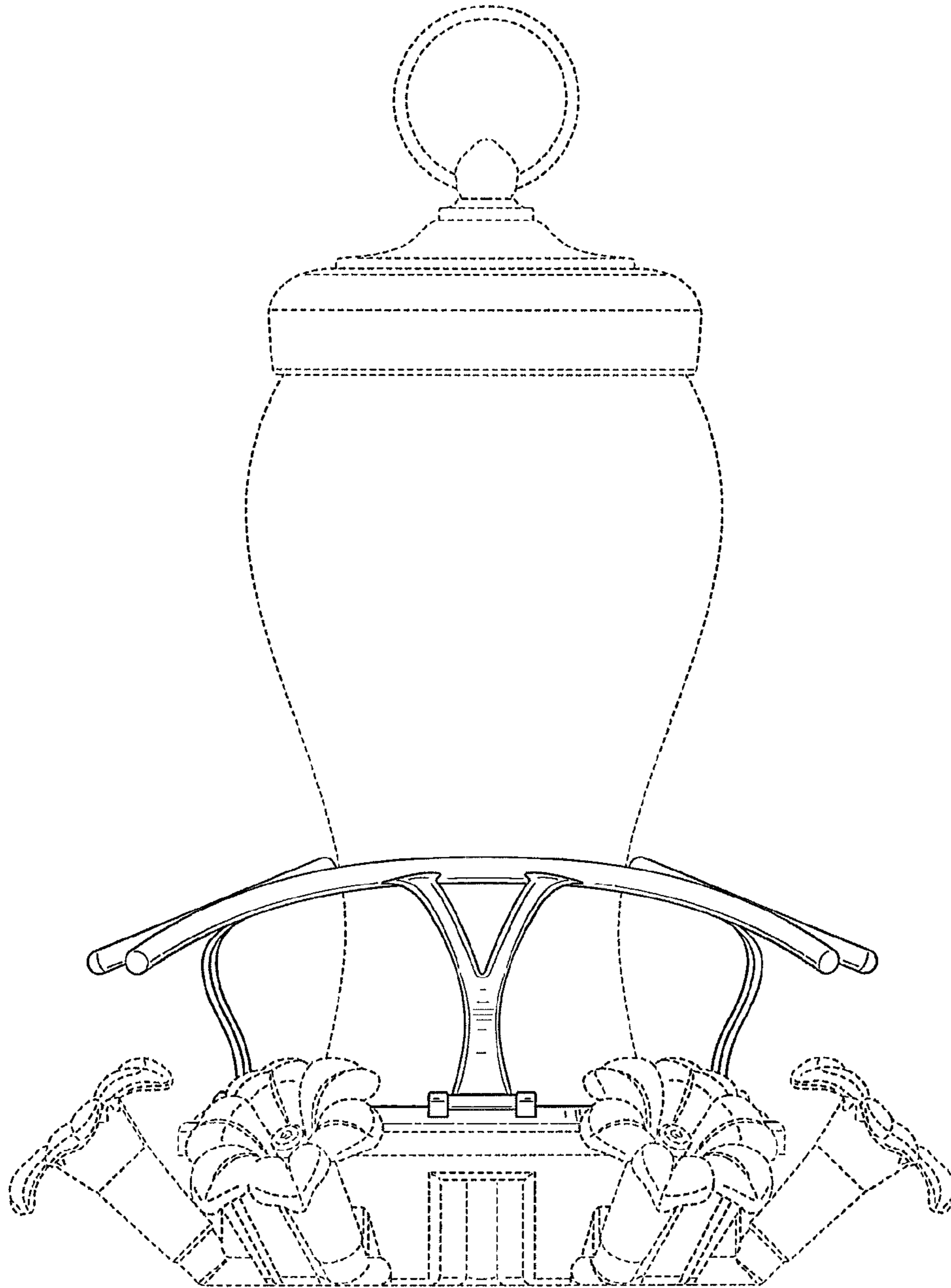


FIG. 9

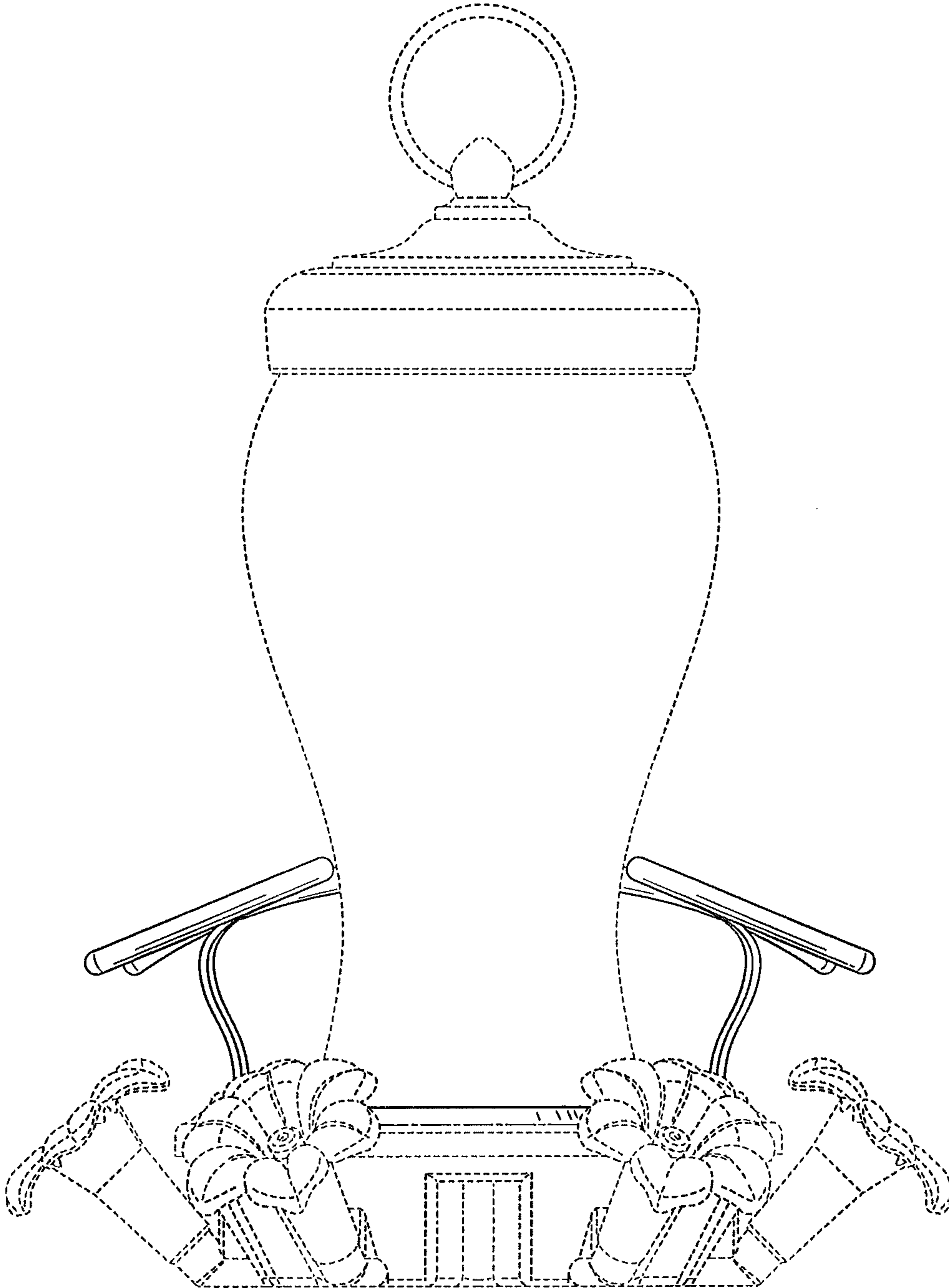


FIG. 10

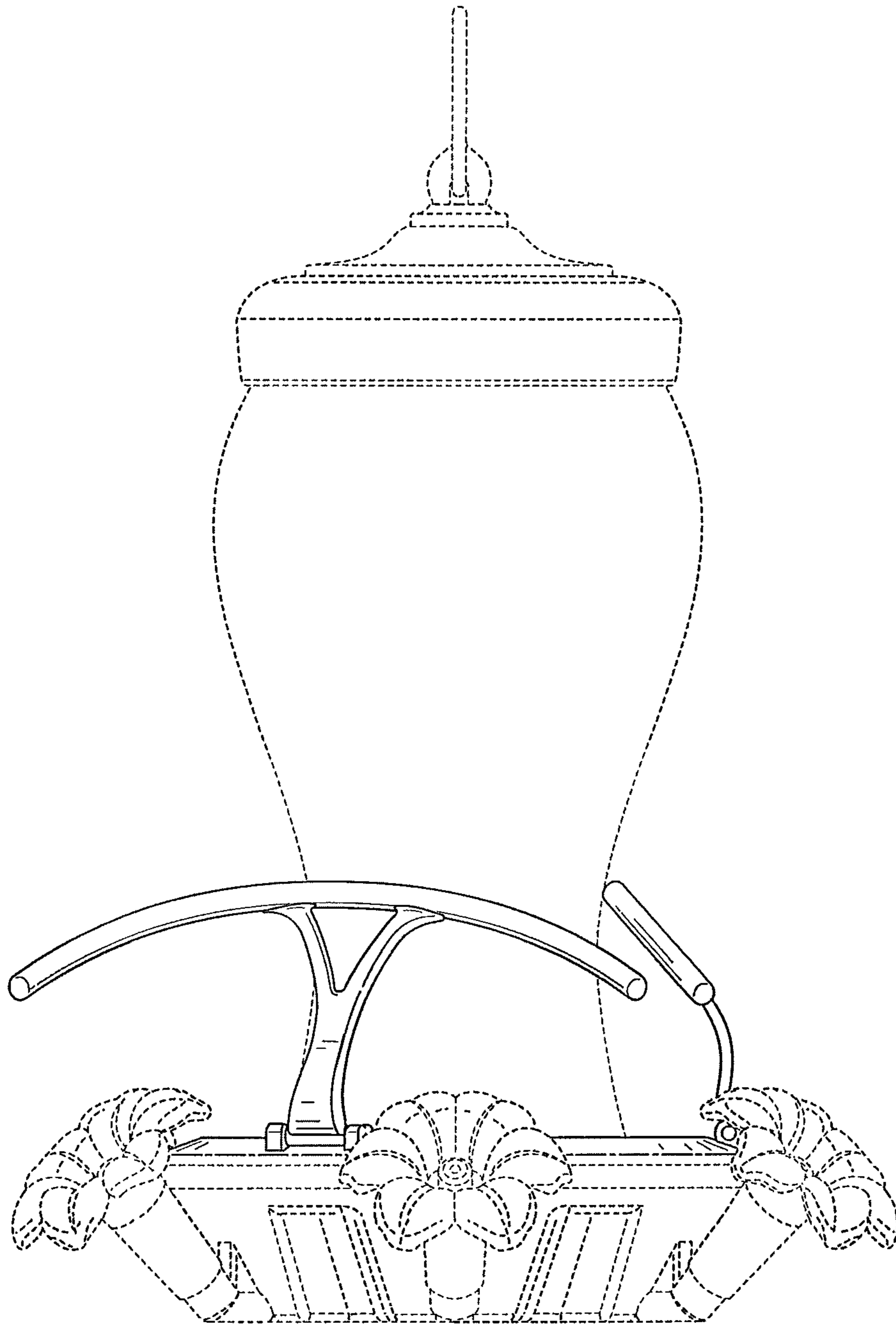


FIG. 11

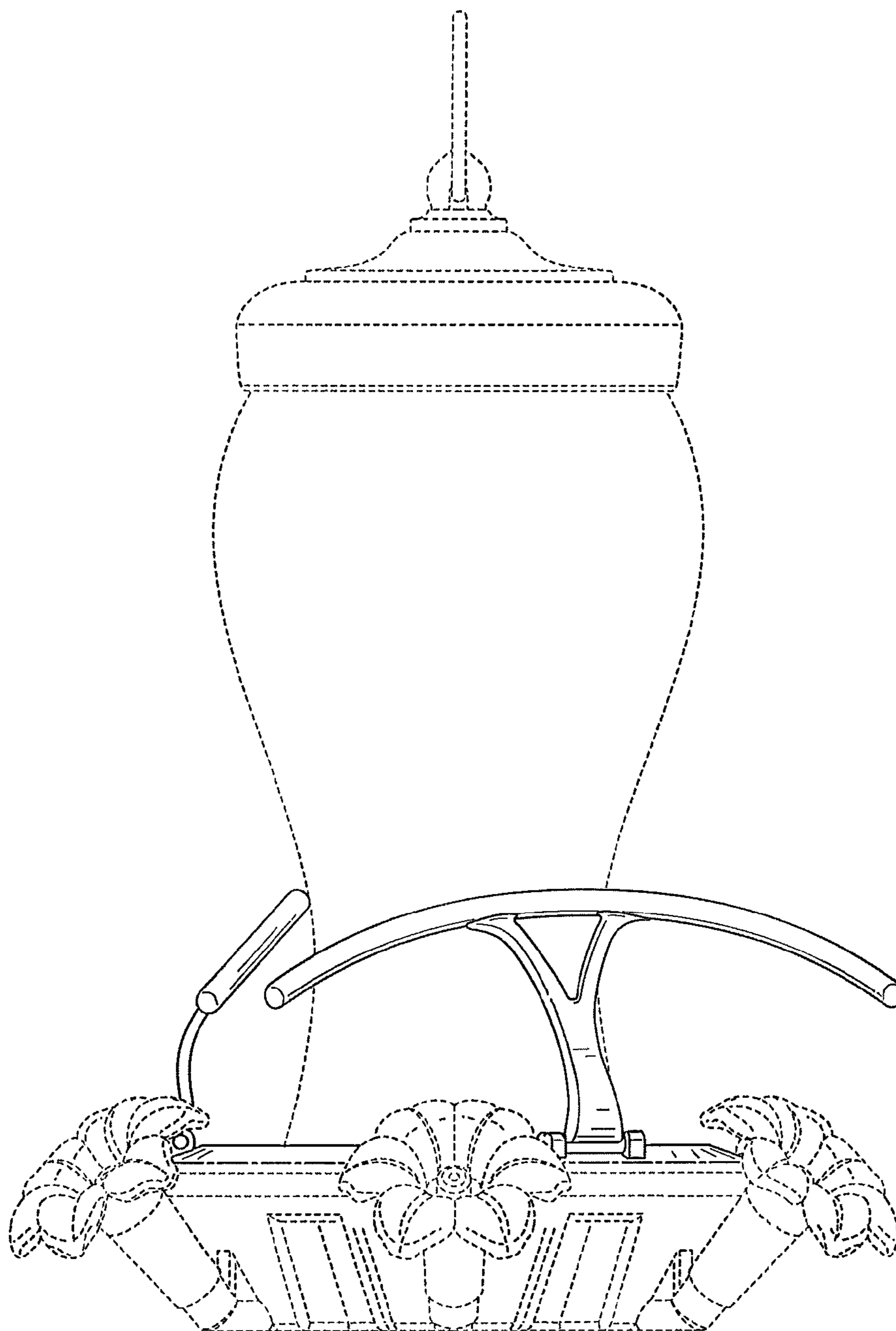


FIG. 12

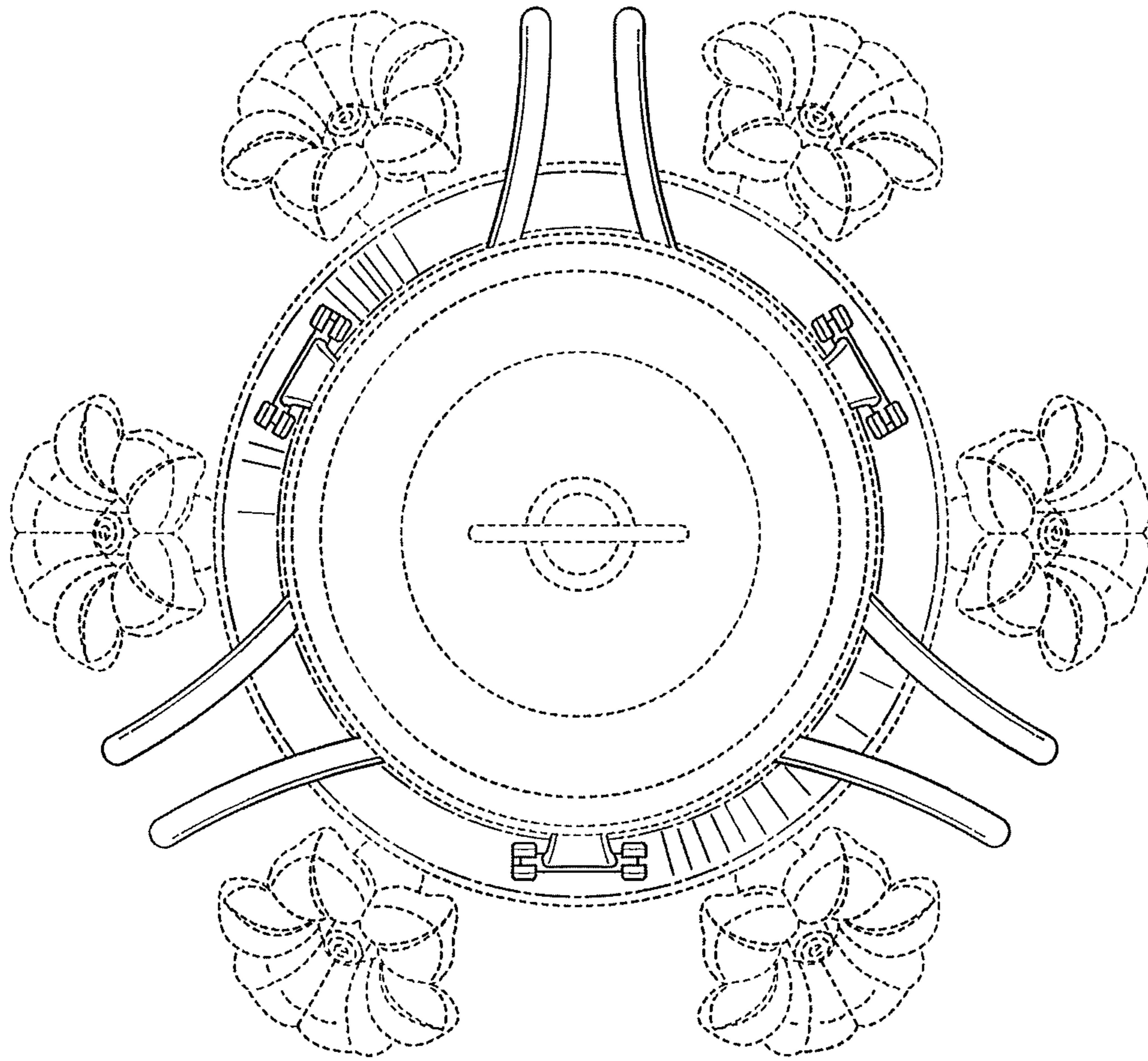


FIG. 13

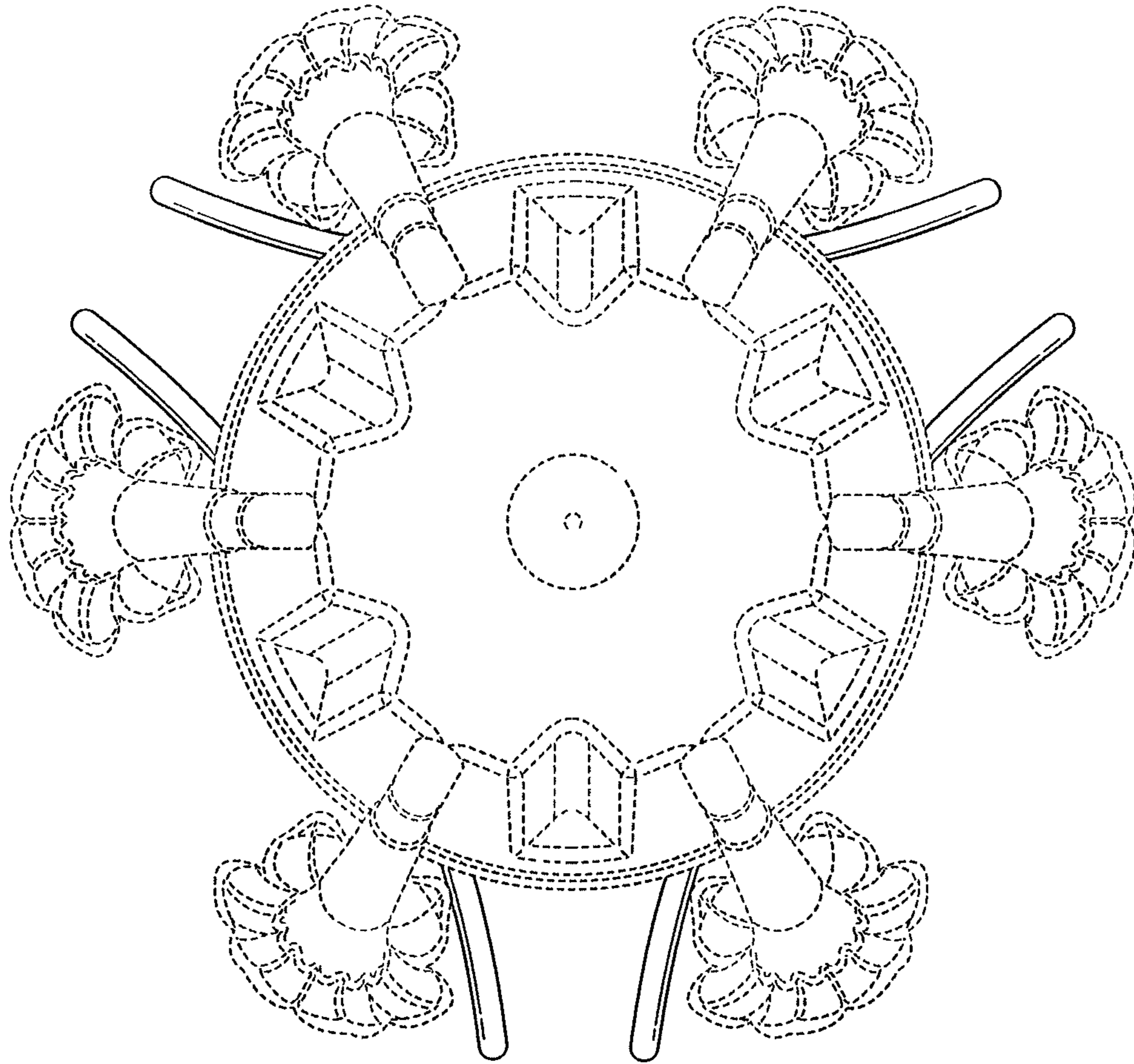


FIG. 14