



US00D727572S

(12) **United States Design Patent**
Mihlbauer

(10) **Patent No.:** **US D727,572 S**
(45) **Date of Patent:** **** Apr. 21, 2015**

(54) **INTERLOCKING PUZZLE TANK**

(71) Applicant: **Central Garden & Pet Company**,
Walnut Creek, CA (US)

(72) Inventor: **Brad L. Mihlbauer**, Mukwonago, WI
(US)

(73) Assignee: **Central Garden & Pet Company**,
Walnut Creek, CA (US)

(**) Term: **14 Years**

(21) Appl. No.: **29/477,293**

(22) Filed: **Dec. 20, 2013**

(51) **LOC (10) Cl.** **30-02**

(52) **U.S. Cl.**
USPC **D30/102**

(58) **Field of Classification Search**
USPC D30/101–107; D11/145; D21/478–480;
D3/270, 271.1; 119/249–248,
119/253–258, 264–265; 273/153 R,
273/156–157 R

See application file for complete search history.

(56) **References Cited**

U.S. PATENT DOCUMENTS

3,334,798	A *	8/1967	Pezely, Jr. et al.	D21/479
D241,333	S *	9/1976	Wheeler	D30/101
5,409,227	A *	4/1995	Walker	273/157 R
D370,562	S *	6/1996	Arini et al.	D21/479
D553,304	S *	10/2007	Wang	D30/101
8,544,849	B2 *	10/2013	Knell et al.	273/157 R

OTHER PUBLICATIONS

“Fish Tank Toilet”, <http://walyou.com/fish-tank-toilet-aquarium>,
Mar. 28, 2013.

“Puzzle Wall Mount Fish Bowls”, <http://thisnext.com>, Dec. 23, 2013.

* cited by examiner

Primary Examiner — Wan Laymon

(74) *Attorney, Agent, or Firm* — Grossman, Tucker,
Perreault & Pflieger, PLLC

(57) **CLAIM**

The ornamental design for an interlocking puzzle tank, as
shown and described.

DESCRIPTION

FIG. 1 is a perspective view of the interlocking puzzle tank of
the present invention;

FIG. 2 is a front view thereof;

FIG. 3 is a back view thereof;

FIG. 4 is a left side view thereof;

FIG. 5 is a right side view thereof;

FIG. 6 is a top view thereof;

FIG. 7 is a bottom view thereof;

FIG. 8 is a top view showing an assembled state with other
interlocking puzzle tanks;

FIG. 9 is a perspective view thereof;

FIG. 10 is a perspective view of the interlocking puzzle tank
of the present invention;

FIG. 11 is a front view thereof;

FIG. 12 is a back view thereof;

FIG. 13 is a left side view thereof;

FIG. 14 is a right side view thereof;

FIG. 15 is a top view thereof;

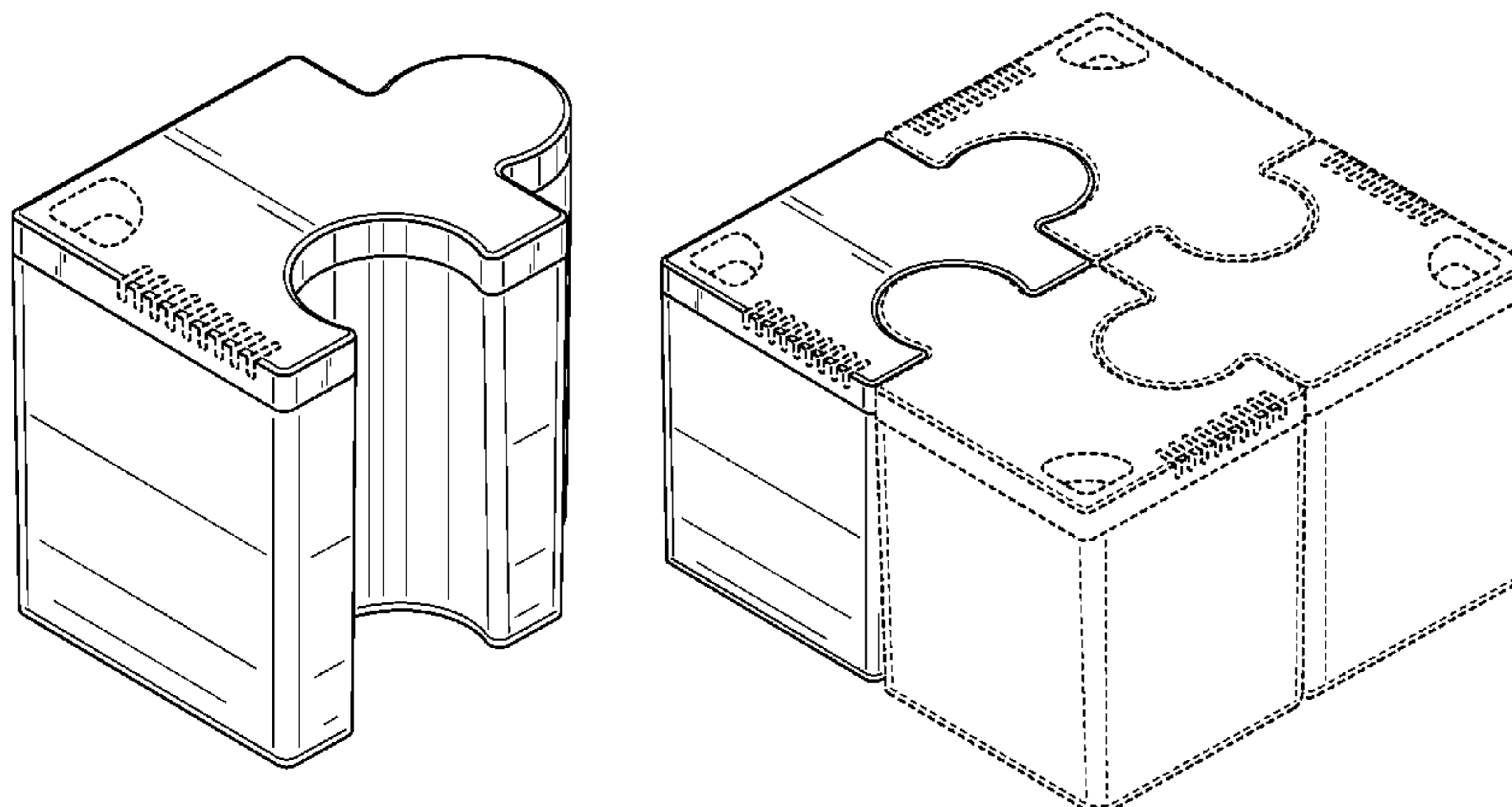
FIG. 16 is a bottom view thereof;

FIG. 17 is a top view showing an assembled state with other
interlocking puzzle tanks; and,

FIG. 18 is a perspective view thereof.

The broken lines showing of the lid, slots, opening, support
feet, and additional interlocking puzzle tanks in the figures
represent portions of the interlocking puzzle tank that form no
part of the claimed design.

1 Claim, 18 Drawing Sheets



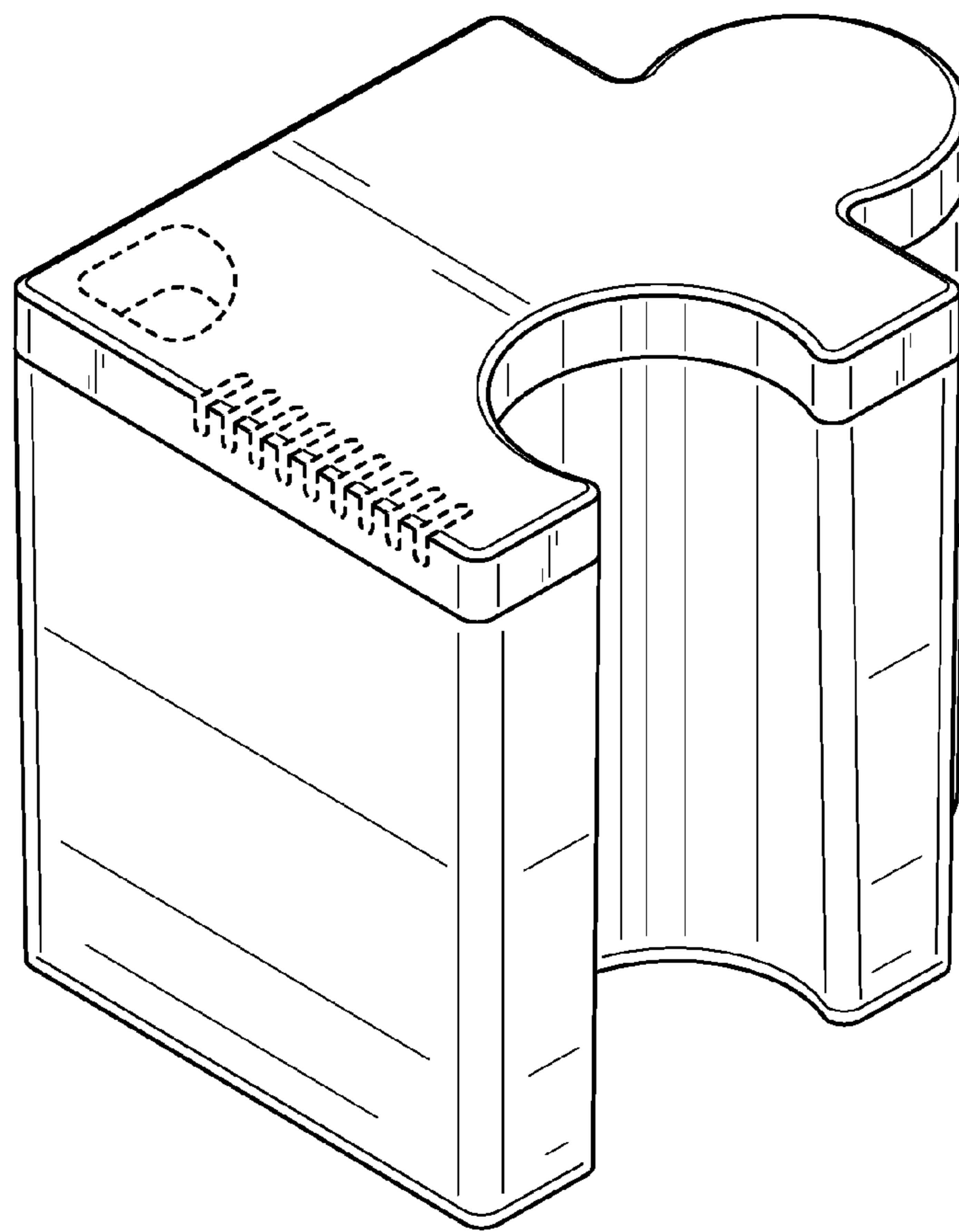


FIG. 1

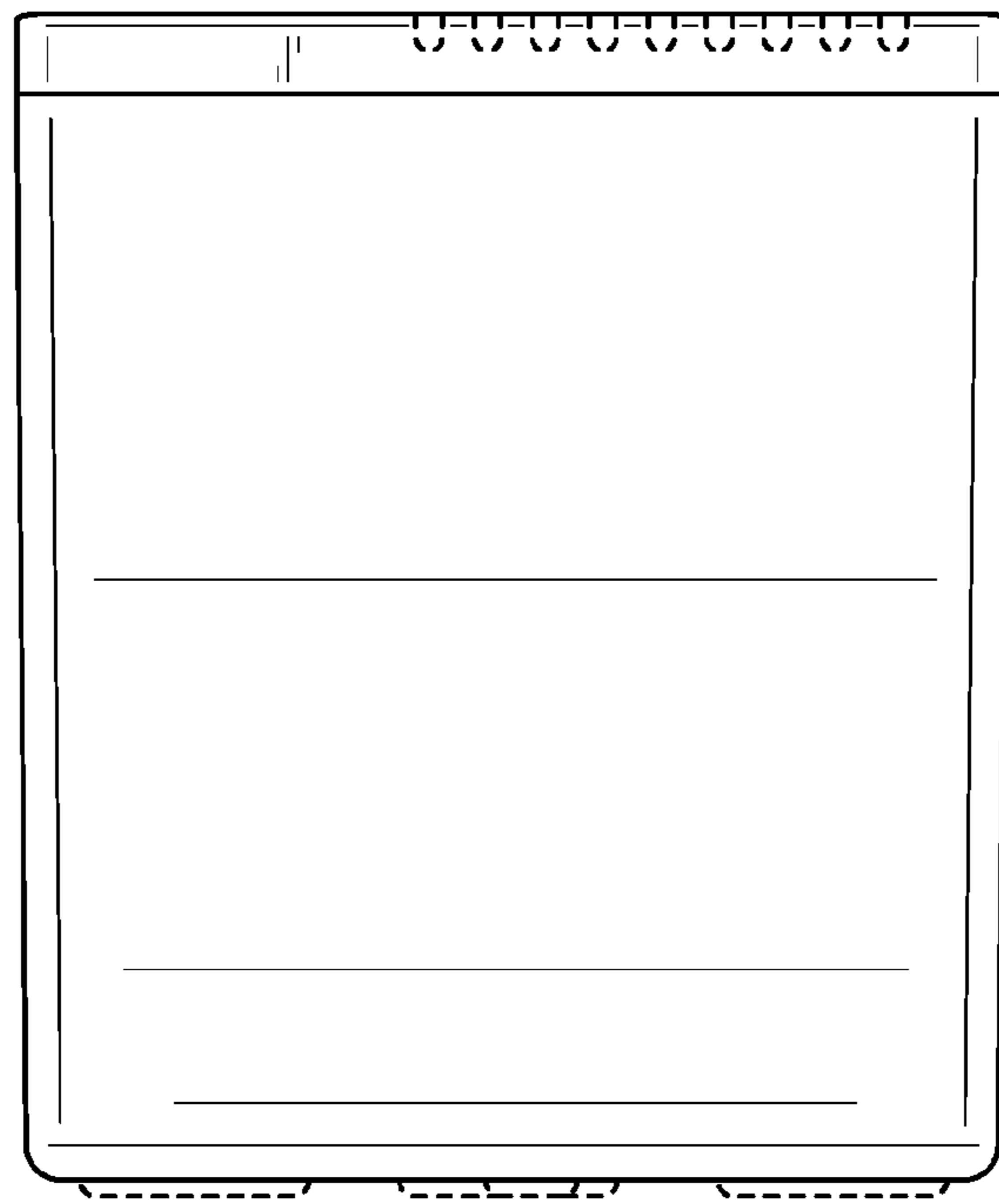


FIG. 2

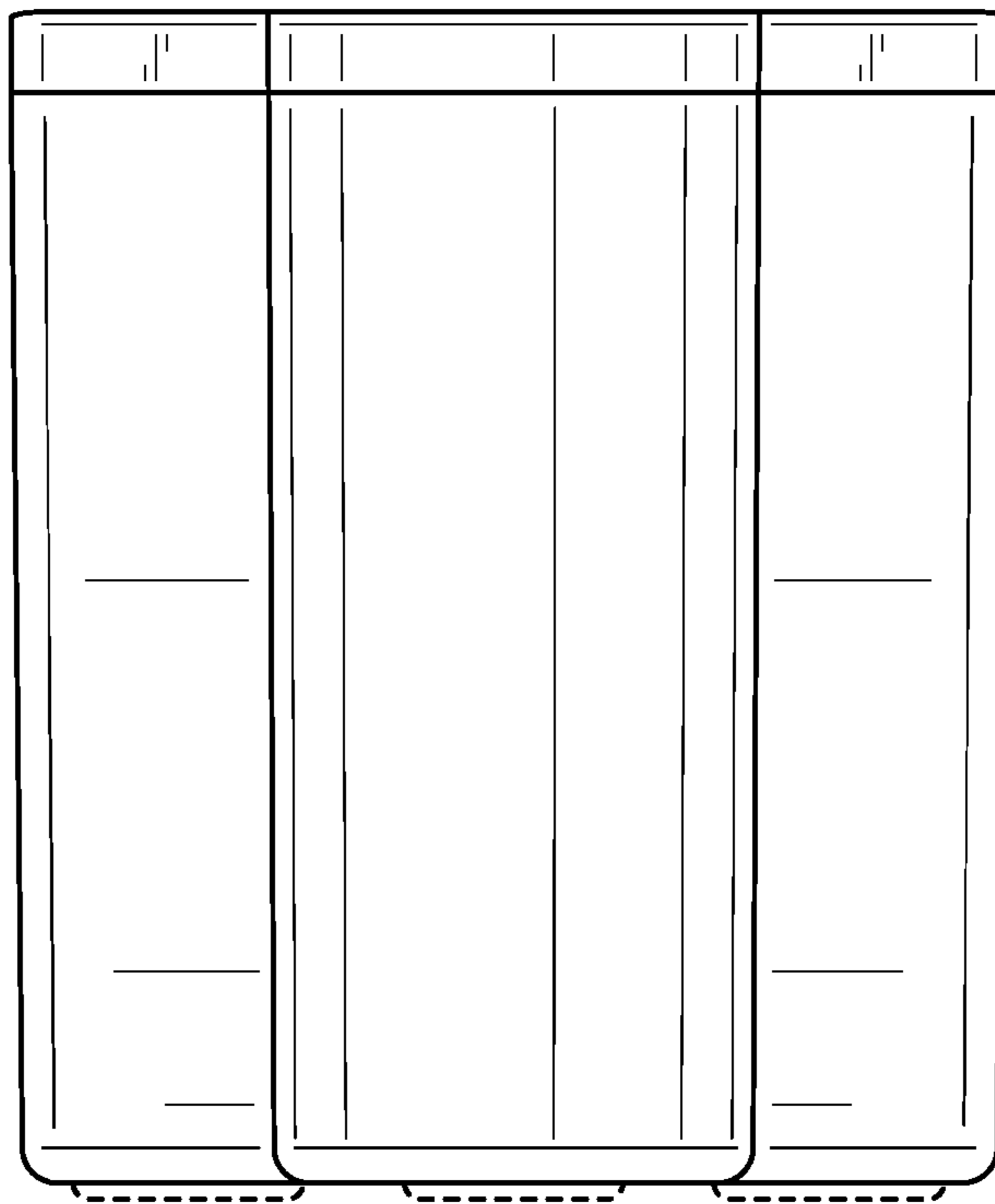


FIG. 3

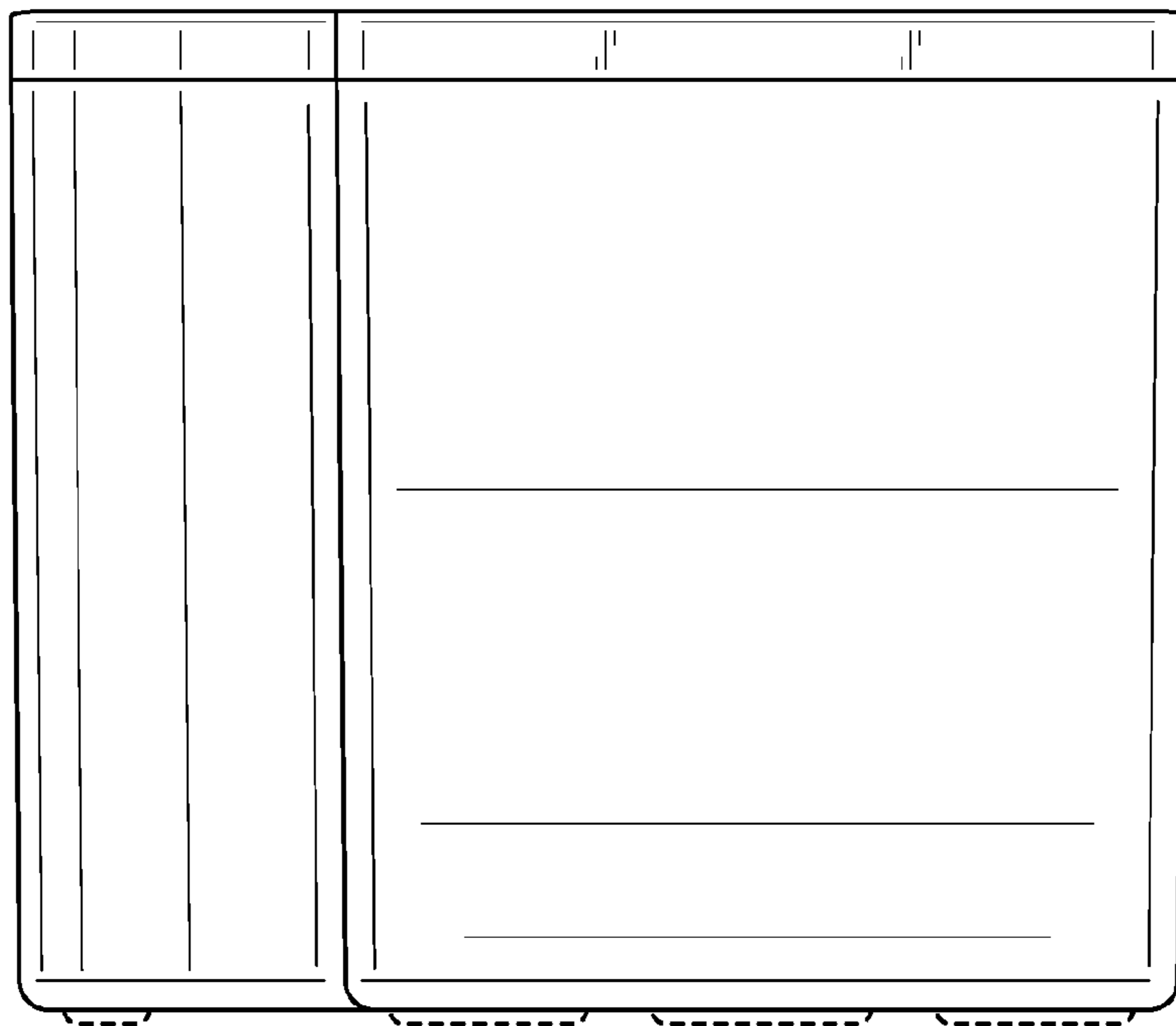


FIG. 4

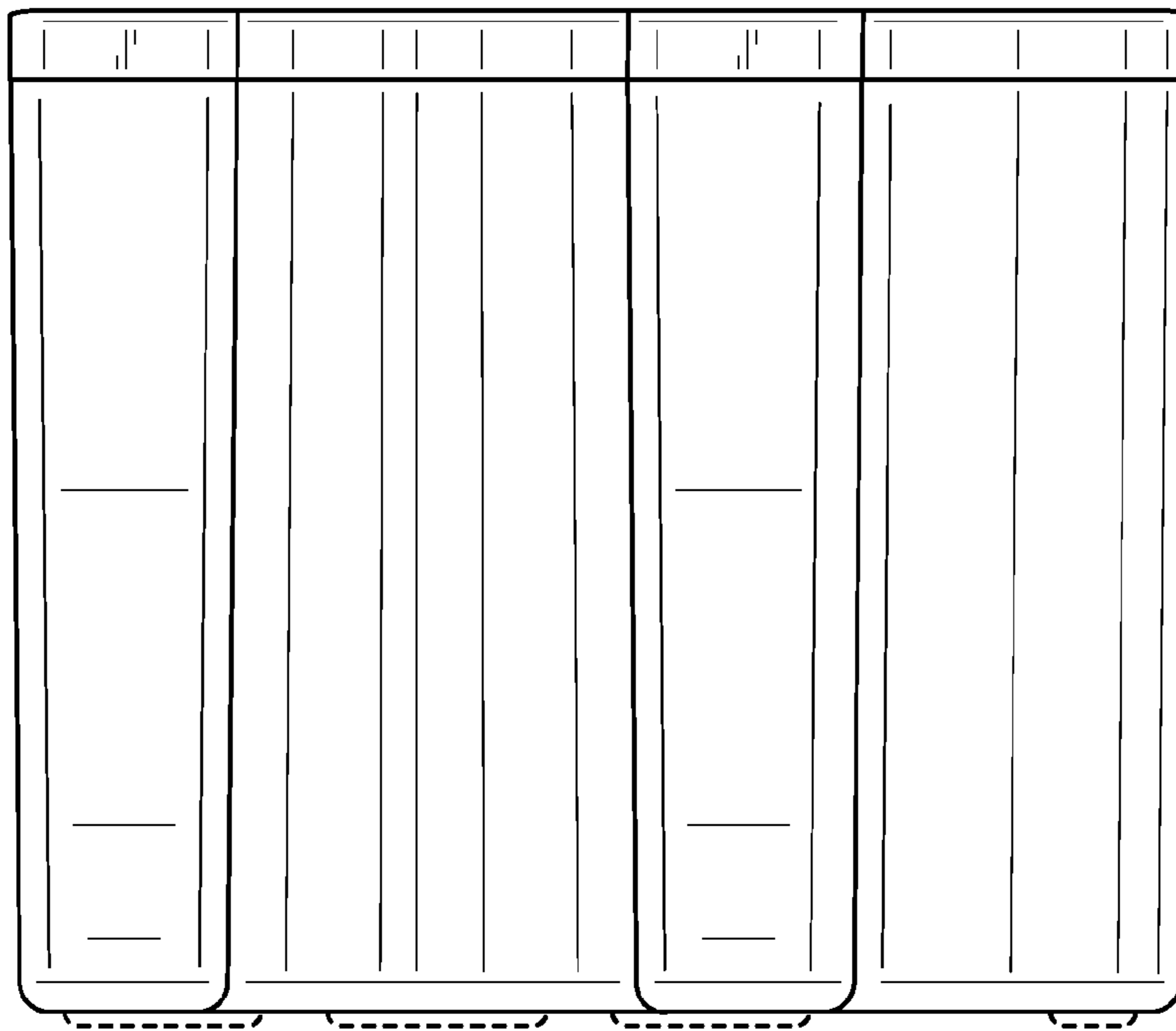


FIG. 5

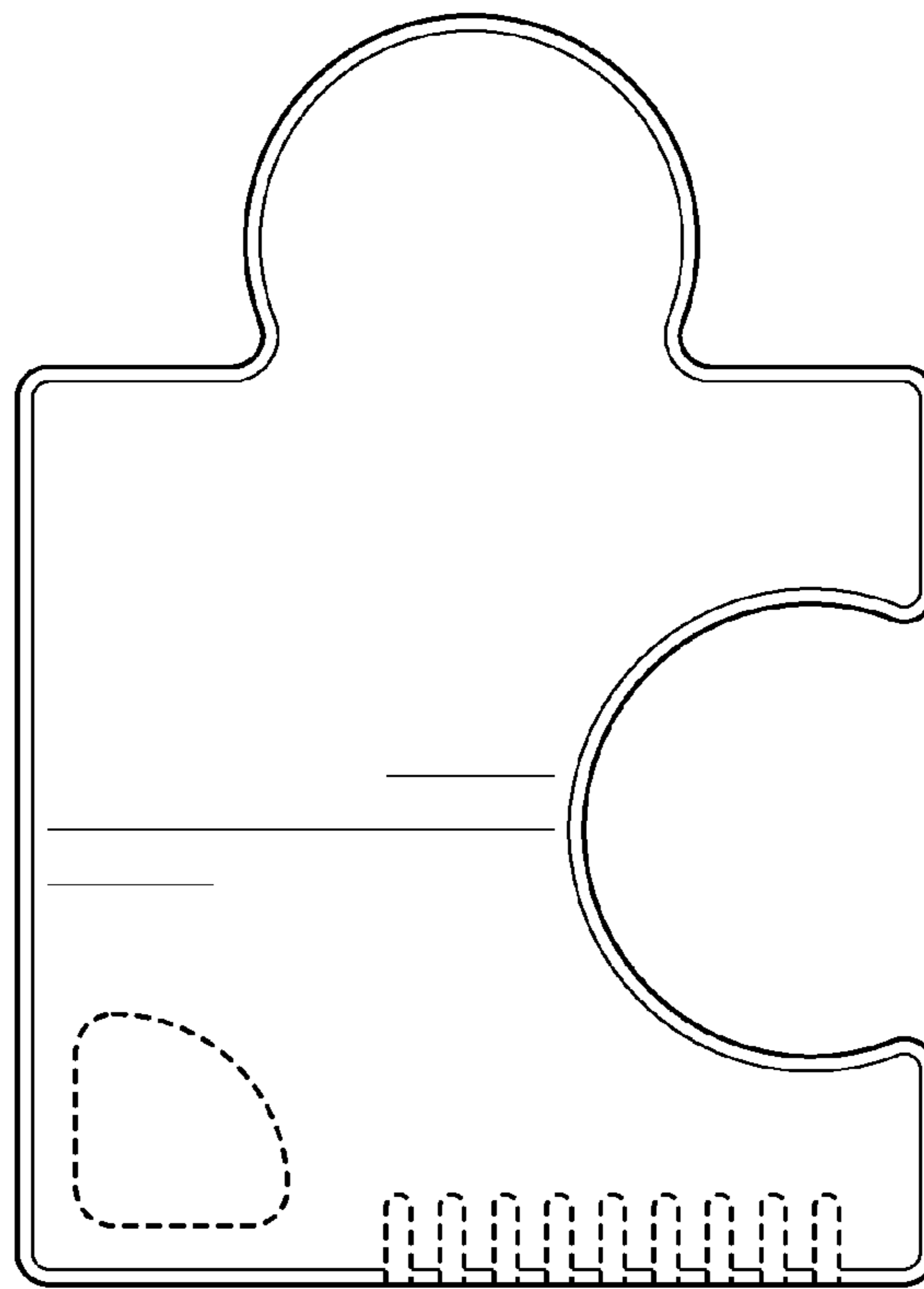


FIG. 6

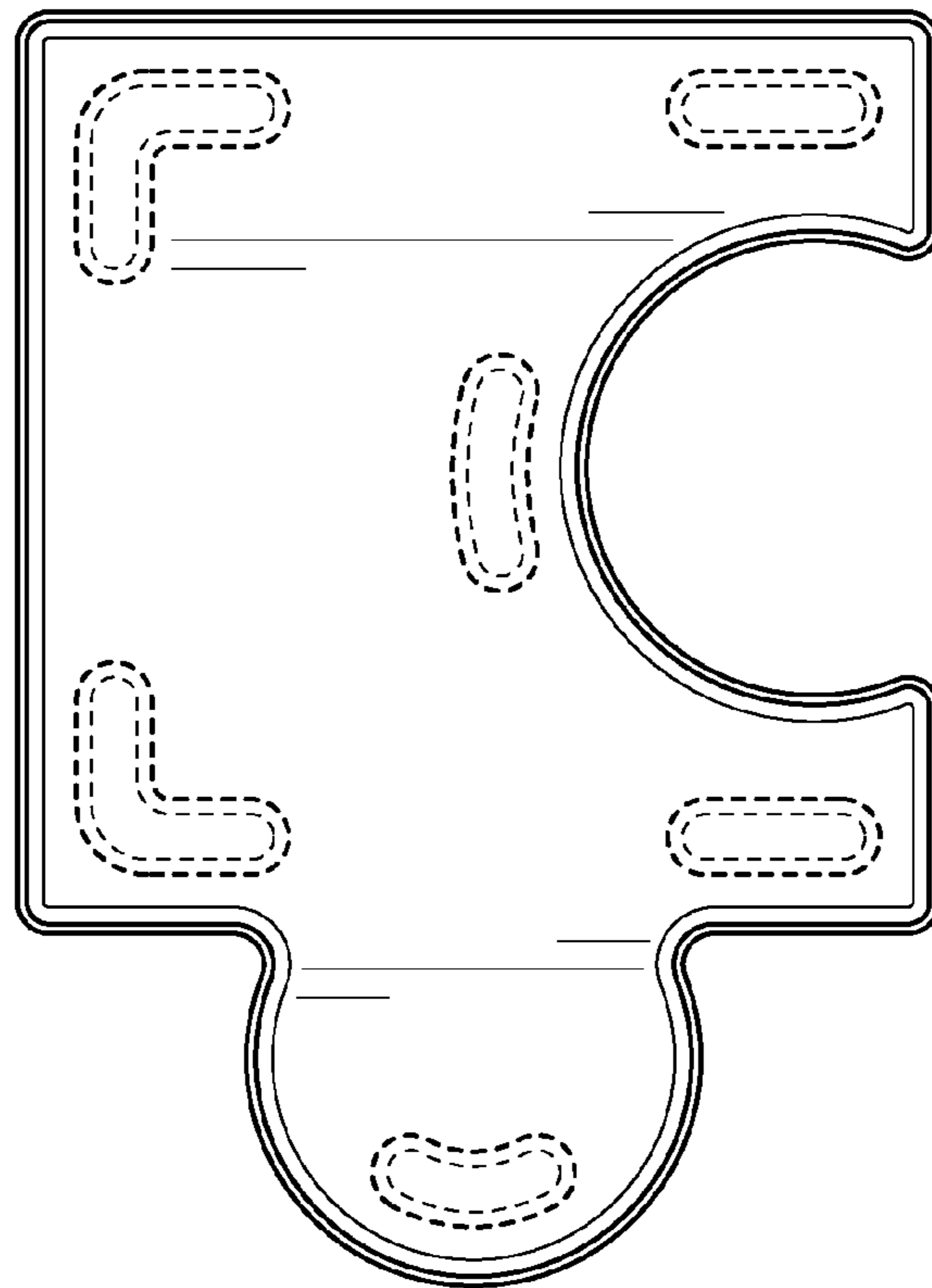


FIG. 7

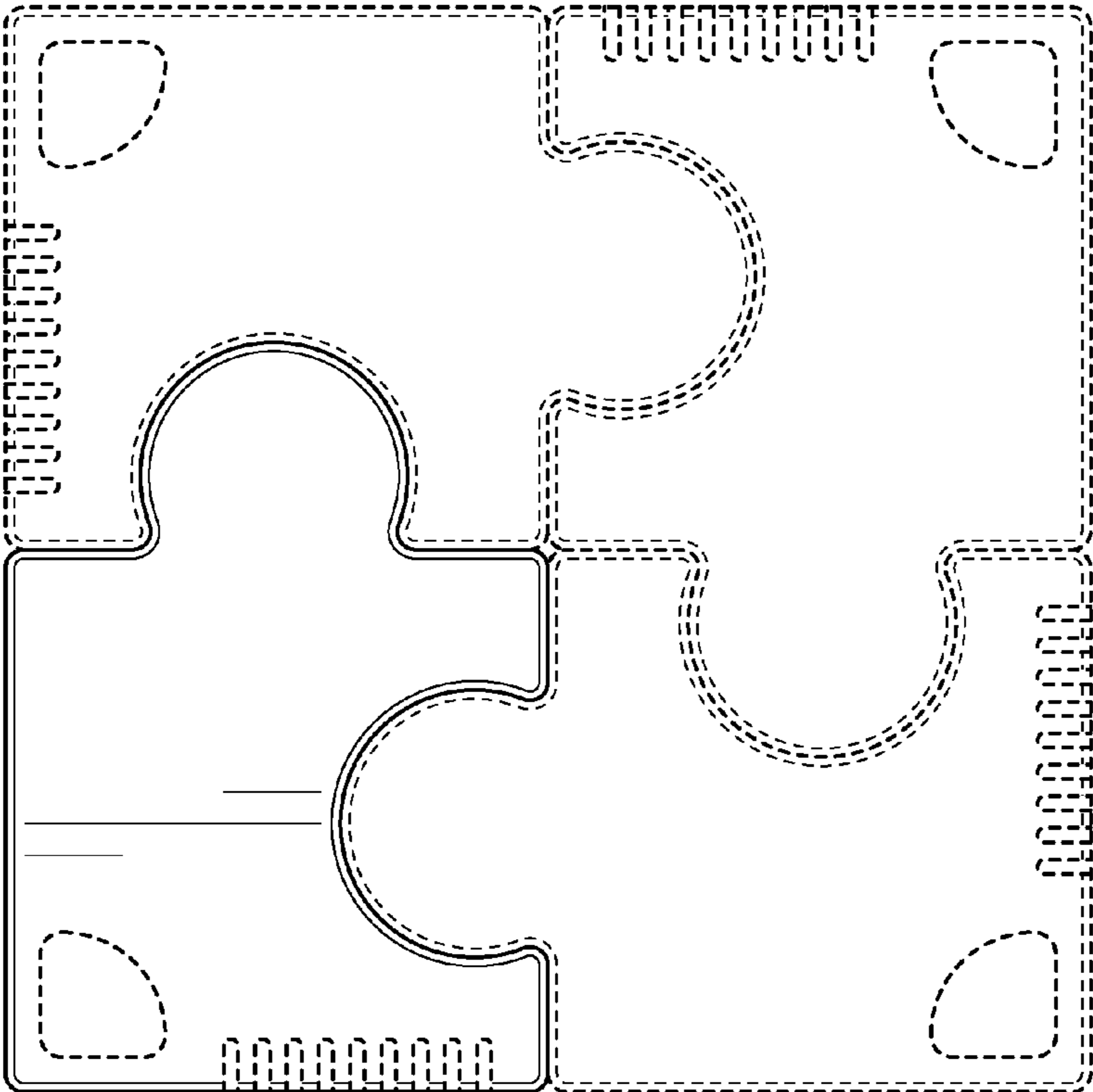


FIG. 8

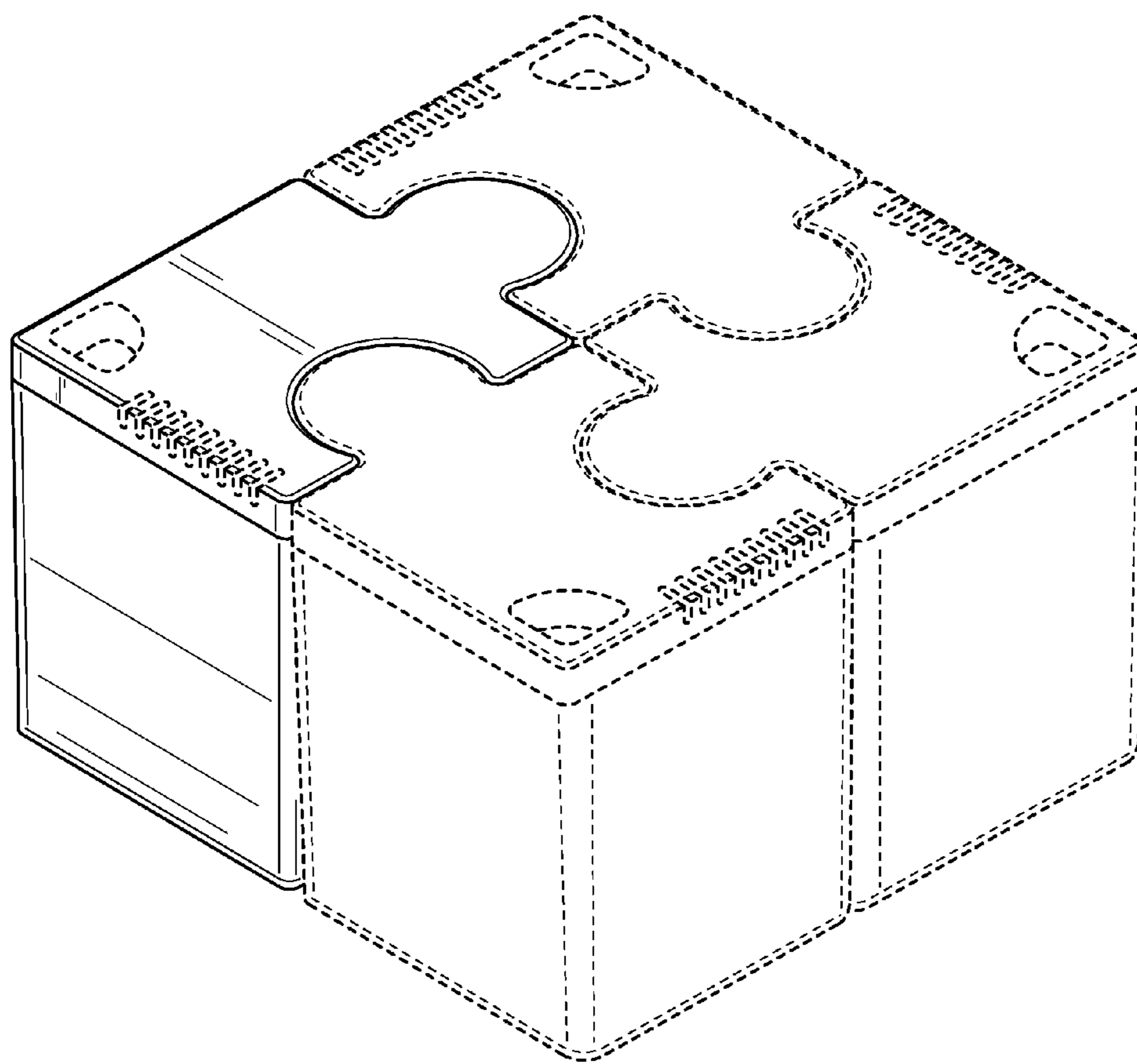


FIG. 9

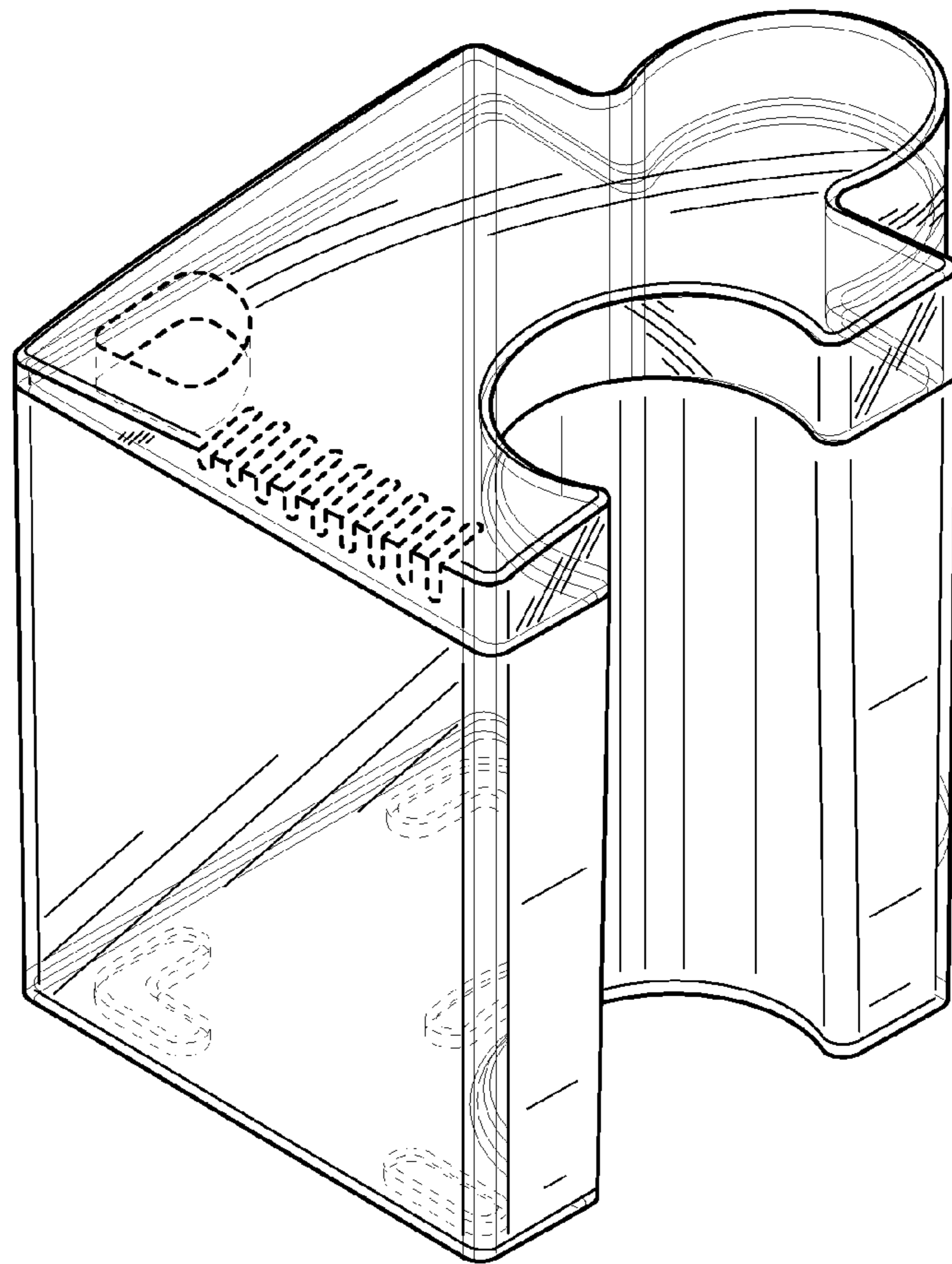


FIG. 10

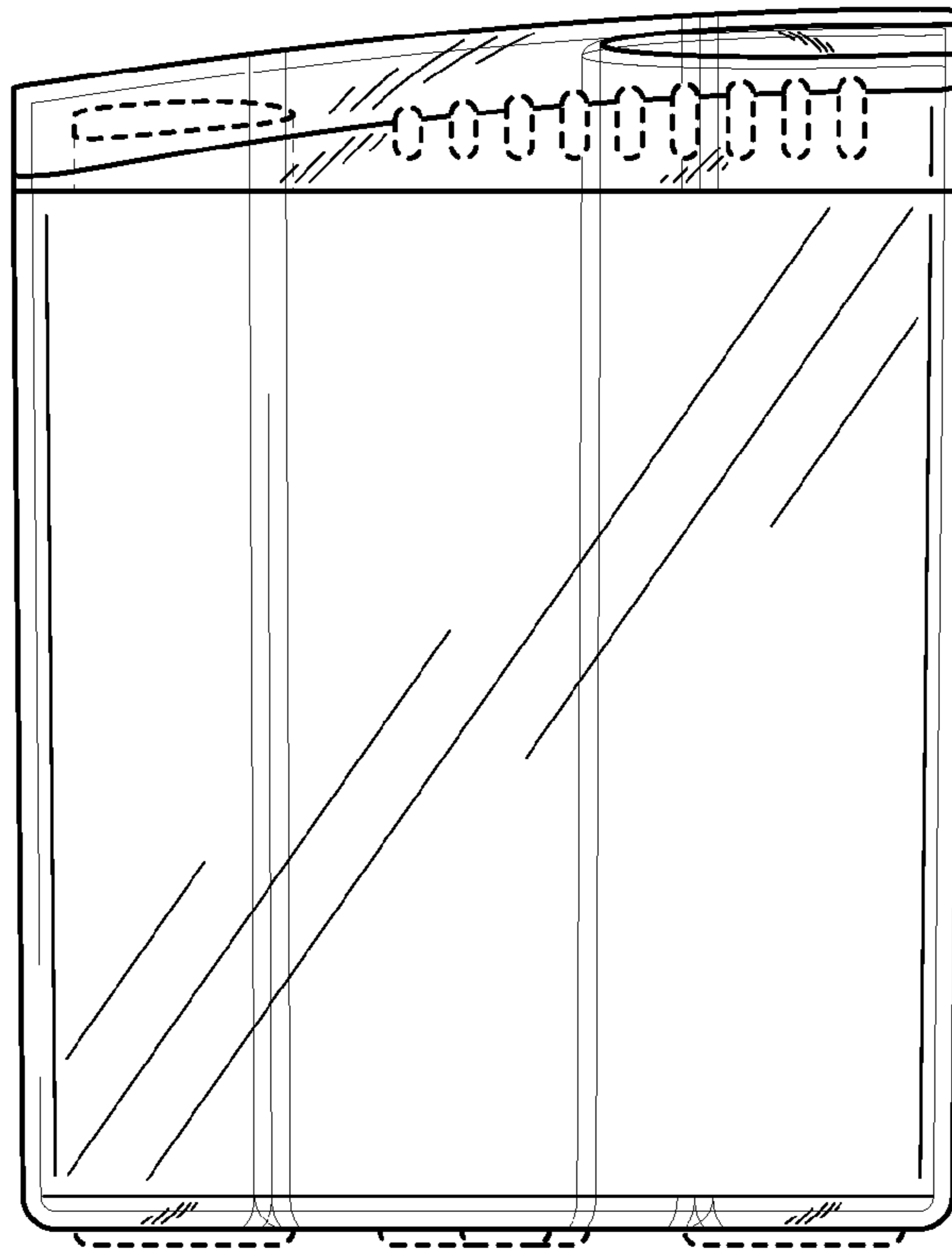


FIG. 11

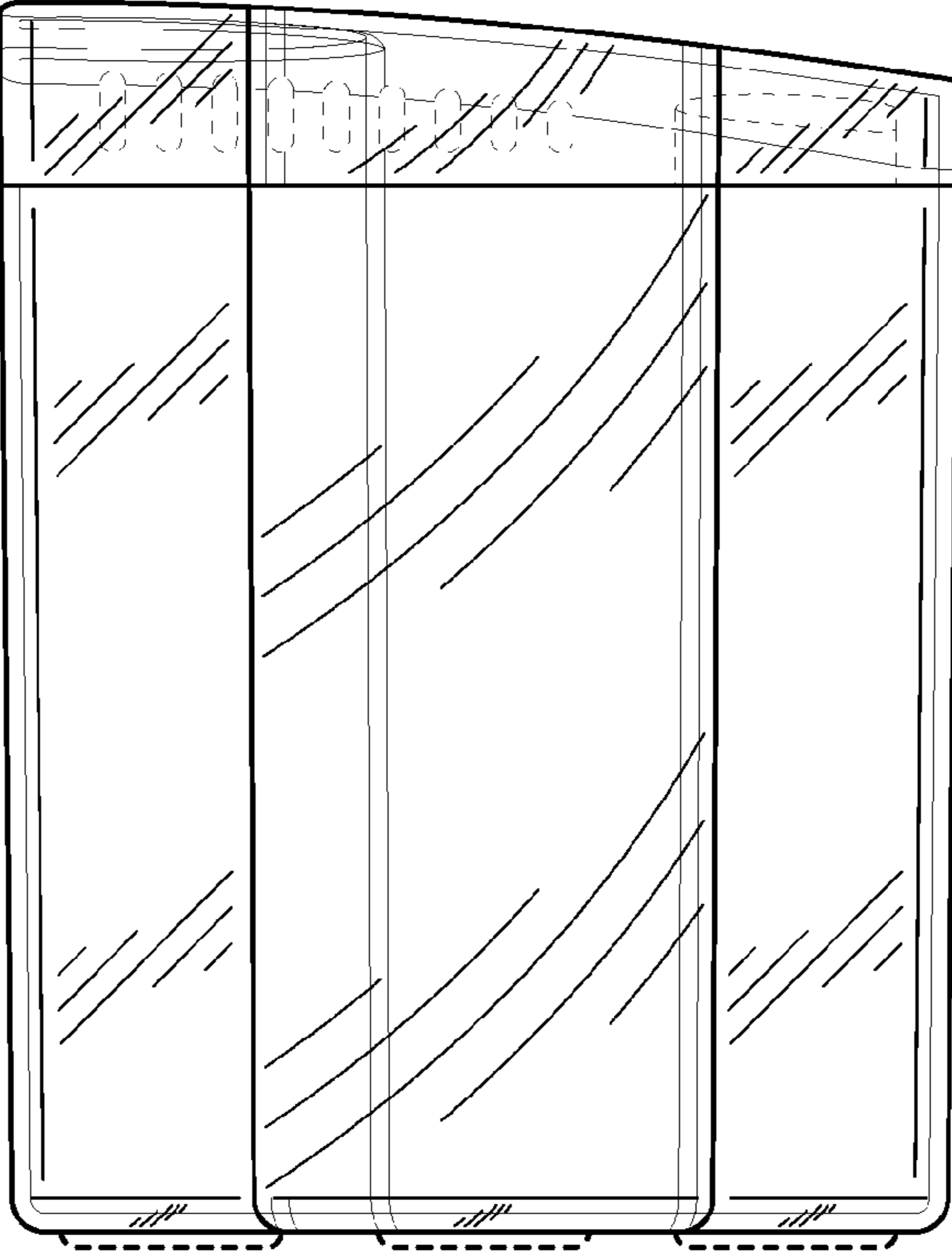


FIG. 12

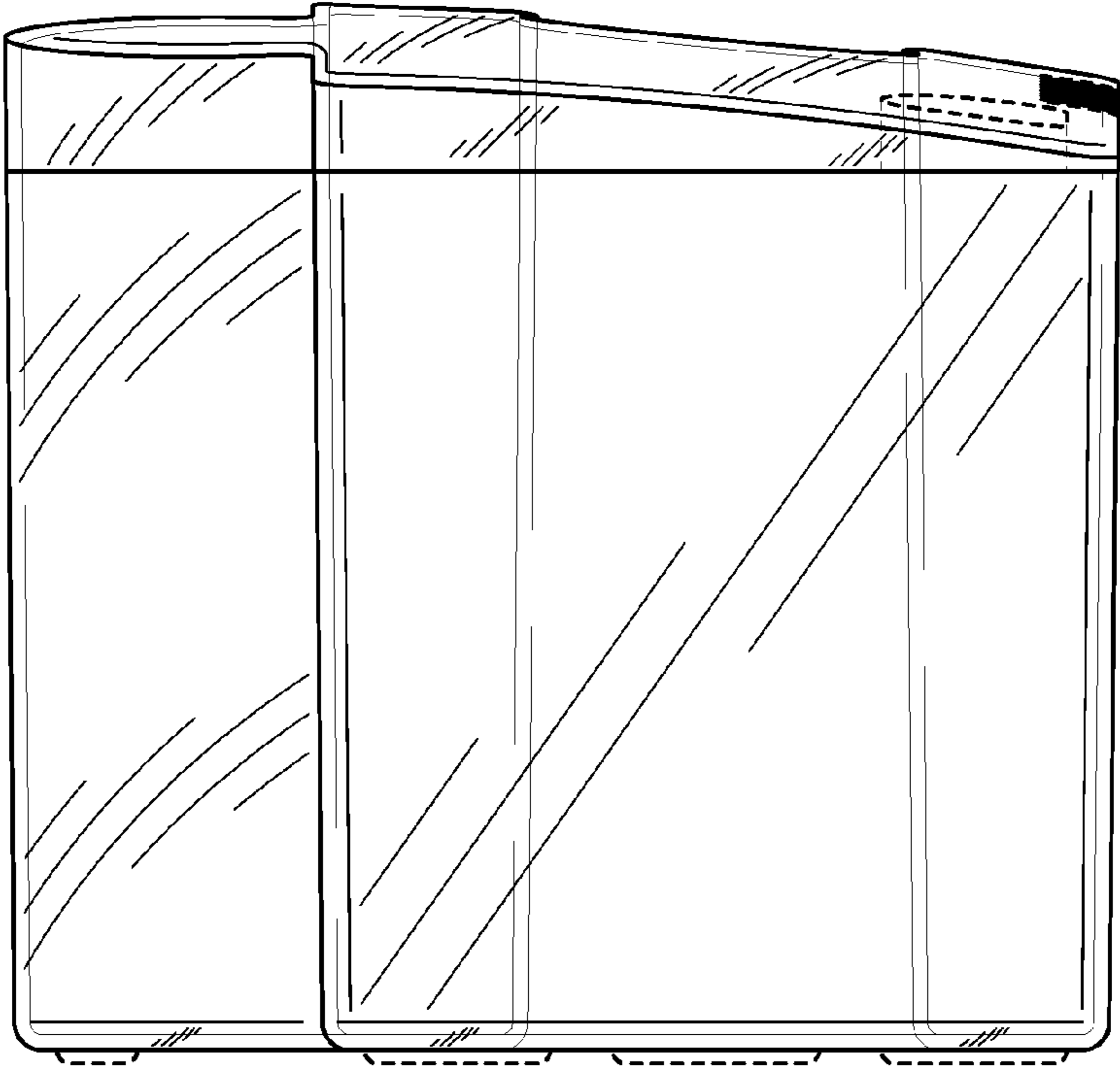


FIG. 13

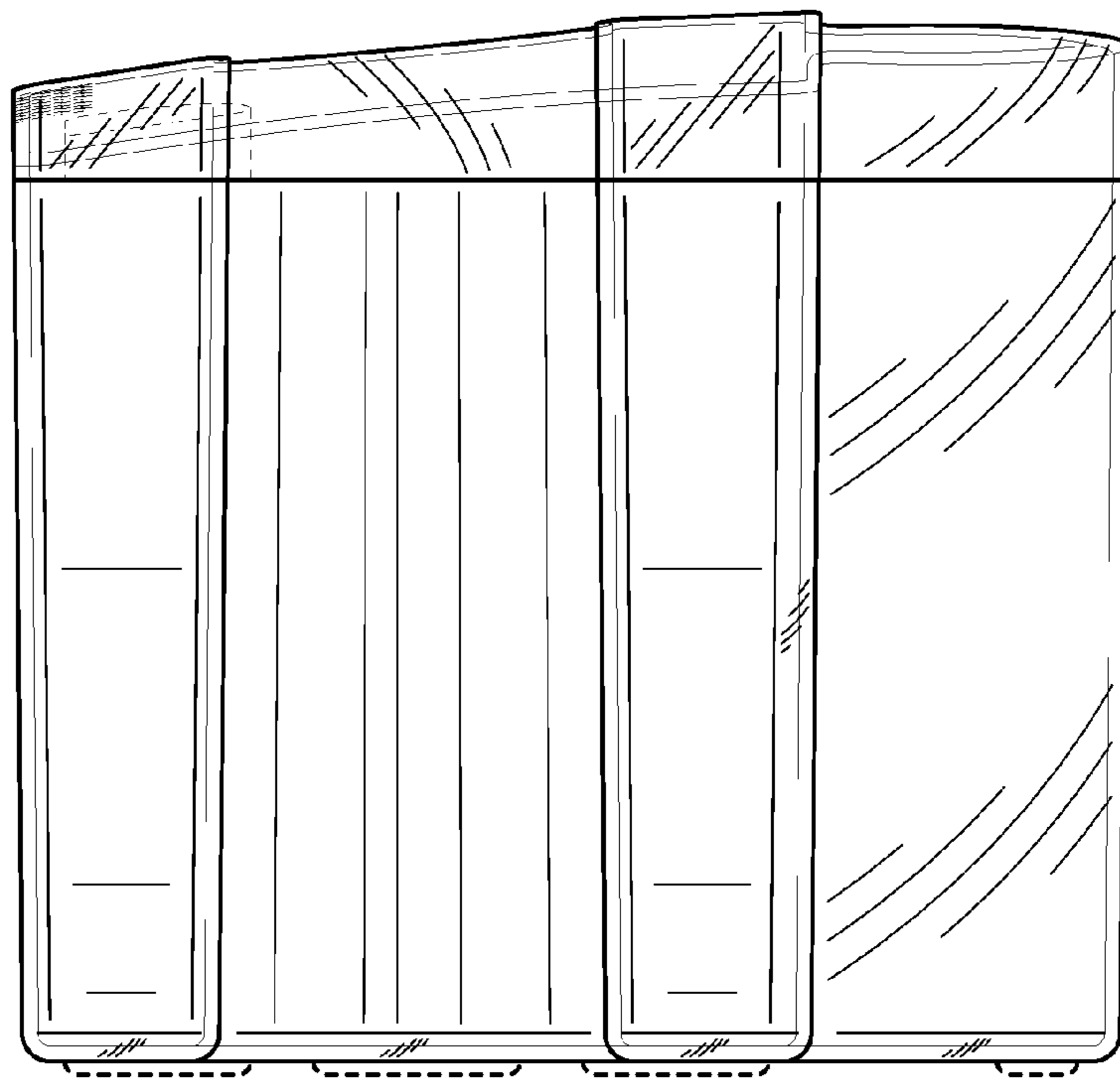


FIG. 14

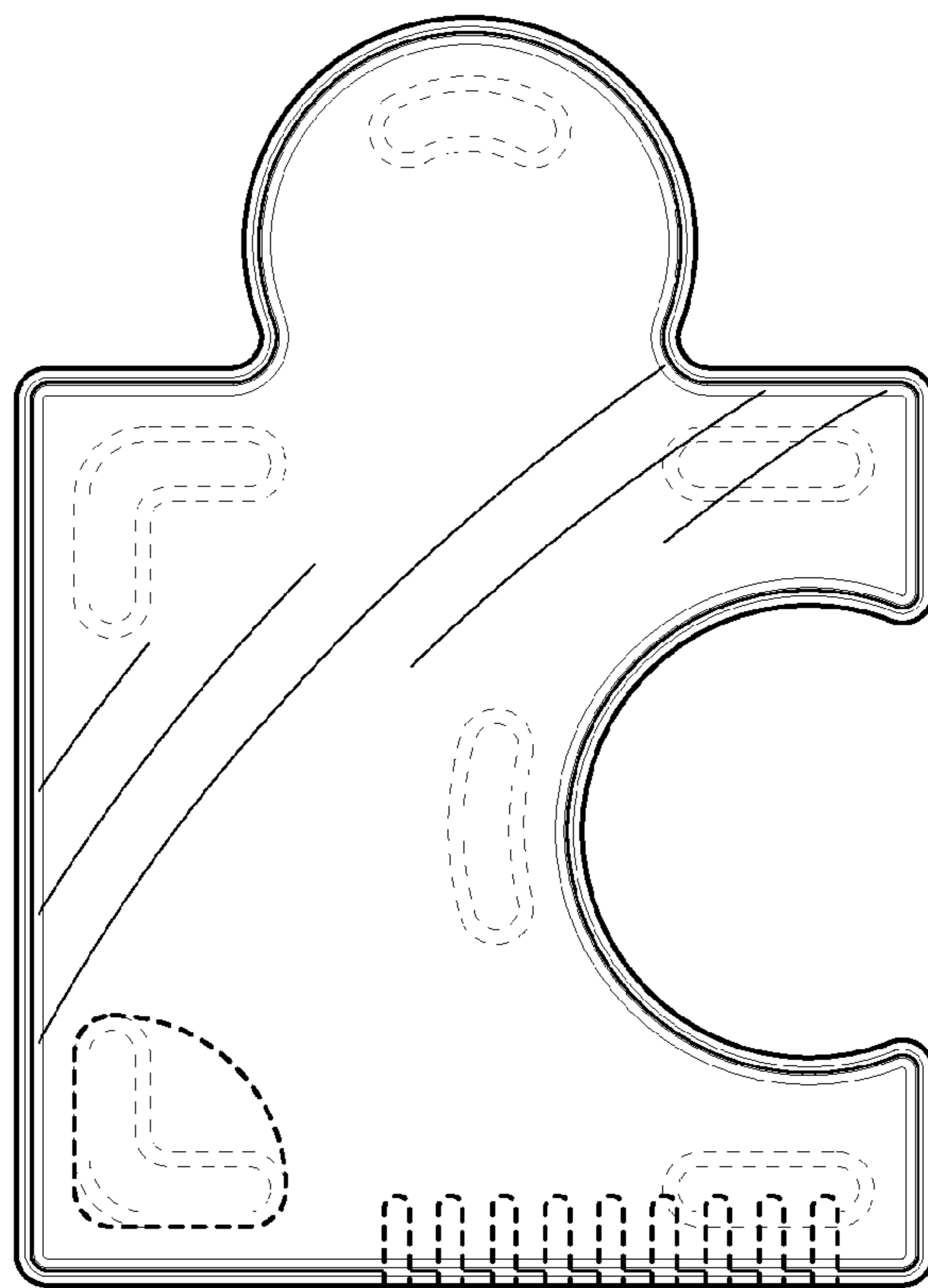


FIG. 15

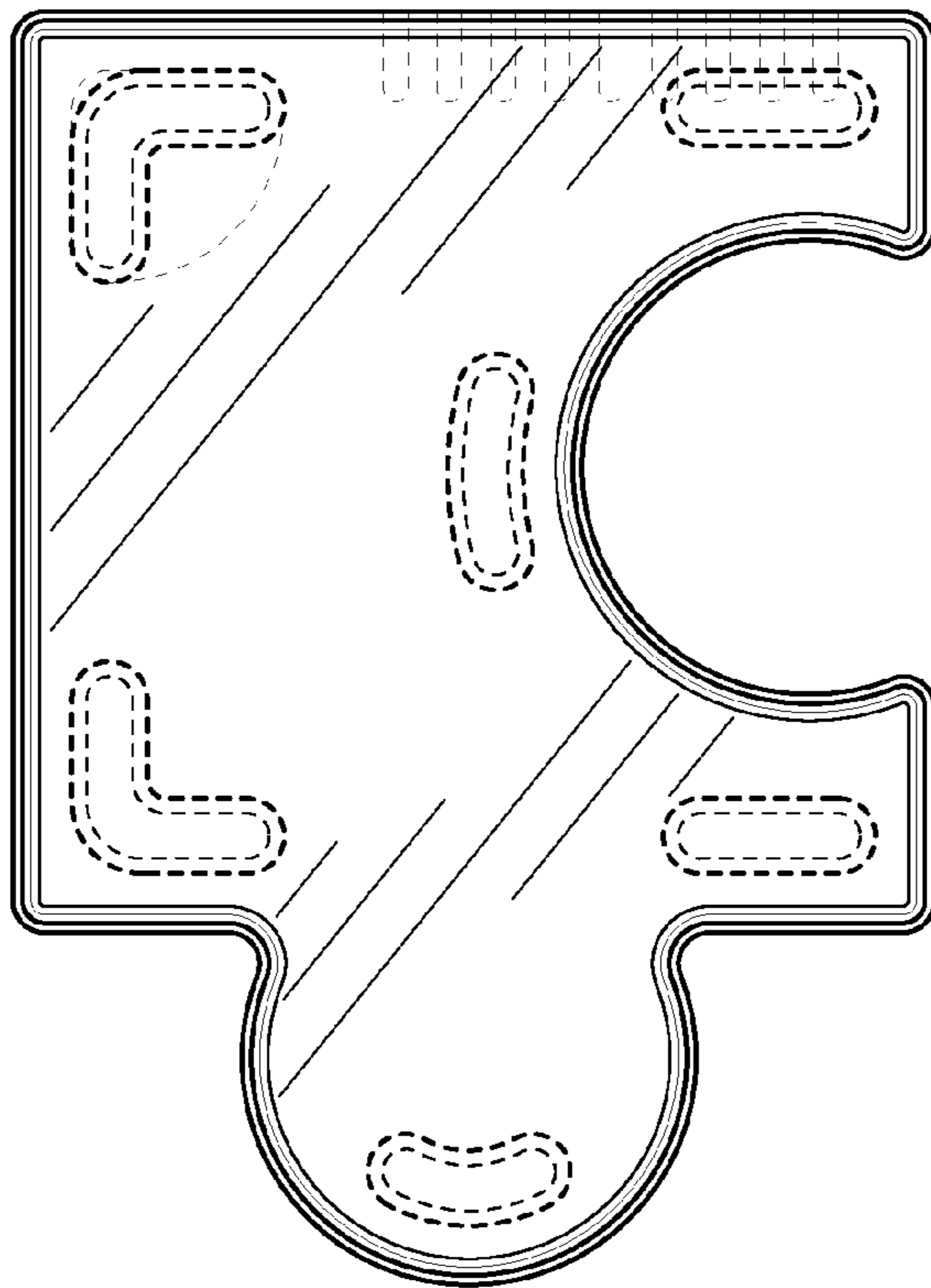


FIG. 16

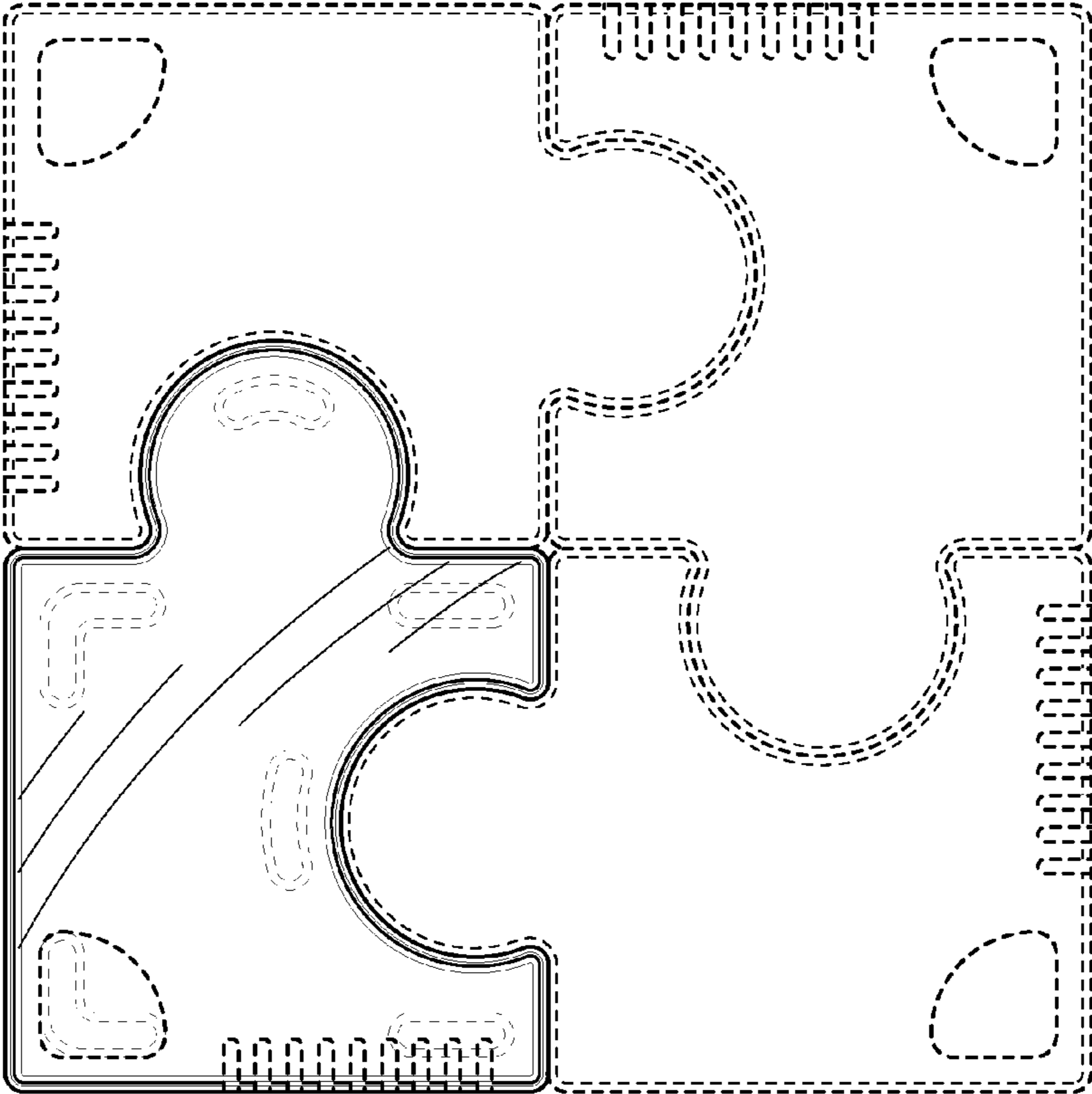


FIG. 17

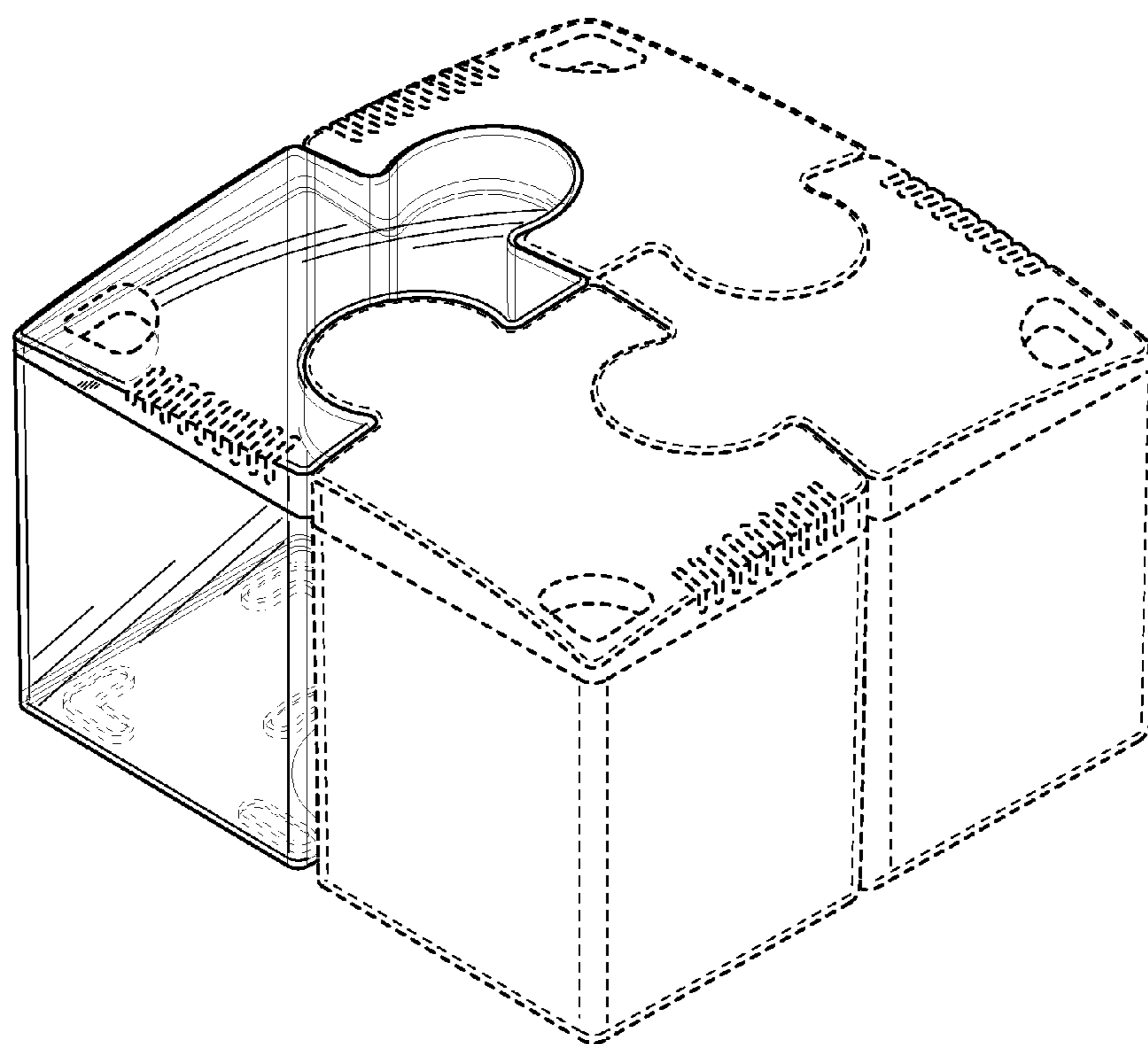


FIG. 18