



US00D727571S

(12) **United States Design Patent**
Brett et al.

(10) **Patent No.:** **US D727,571 S**
(45) **Date of Patent:** **** Apr. 21, 2015**

- (54) **MOUTHGUARD**
- (71) Applicant: **Sportsguard Laboratories, Inc.**, Kent, OH (US)
- (72) Inventors: **Daniel J. Brett**, Kent, OH (US); **Rick P. Sepi**, Kent, OH (US)
- (73) Assignee: **Sportsguard Laboratories, Inc.**, Kent, OH (US)
- (**) Term: **14 Years**
- (21) Appl. No.: **29/455,805**
- (22) Filed: **May 24, 2013**
- (51) **LOC (10) Cl.** **29-02**
- (52) **U.S. Cl.**
USPC **D29/108**
- (58) **Field of Classification Search**
CPC A61F 5/566; A61F 5/58; A63B 71/08; A63B 71/081; A63B 71/085; A63B 2071/085; A63B 2071/088; A61C 7/08; A61C 7/10; A61C 13/08; A61C 13/081; A61C 13/083; A61C 13/087; A61C 19/066; A61C 5/14; A61B 13/00; A61B 1/24
USPC D29/100, 105, 106, 108, 122; D24/108-110.5, 156, 176, 181; 128/859, 860, 861, 862, 857, 846, 848; 602/902; 433/6, 18, 24, 168.1; 2/9, 2/424, 425; D21/812
See application file for complete search history.

(56) **References Cited**
U.S. PATENT DOCUMENTS

2,590,118	A *	3/1952	Oddo, Jr.	128/861
2,966,908	A *	1/1961	Cathcart et al.	128/861
3,223,085	A *	12/1965	Gores et al.	128/861
3,236,235	A *	2/1966	Jacobs	128/862
3,312,218	A *	4/1967	Jacobs	128/862
3,333,582	A *	8/1967	Cathcart	128/862

3,411,501	A *	11/1968	Greenberg	128/862
3,485,242	A	12/1969	Greenberg	
3,692,025	A	9/1972	Greenberg	
4,977,905	A	12/1990	Kittelsen et al.	
D328,494	S *	8/1992	Schwendeman et al.	D24/176
5,234,005	A	8/1993	Kittelsen et al.	
5,353,810	A	10/1994	Kittelsen et al.	
5,365,946	A	11/1994	McMillan	
D382,965	S *	8/1997	Wagner	D29/108
5,692,523	A	12/1997	Croll et al.	
5,755,233	A	5/1998	Adell	
6,584,978	B1 *	7/2003	Brett et al.	128/859
D492,785	S *	7/2004	Garabito	D24/181
D496,498	S	9/2004	Kittelsen et al.	
D500,895	S *	1/2005	Manzo et al.	D29/108
D523,994	S *	6/2006	Manzo	D29/108
D526,095	S *	8/2006	Manzo et al.	D29/108
D548,402	S *	8/2007	Trodick	D29/108
7,353,828	B1	4/2008	Hirshberg	
D593,714	S *	6/2009	Hirshberg	D29/108
7,708,018	B1	5/2010	Hirshberg	
D626,292	S *	10/2010	Farrell	D29/108
D627,107	S *	11/2010	Manzo et al.	D29/108
D630,382	S *	1/2011	Manzo et al.	D29/108
D634,480	S *	3/2011	Manzo et al.	D29/108

(Continued)

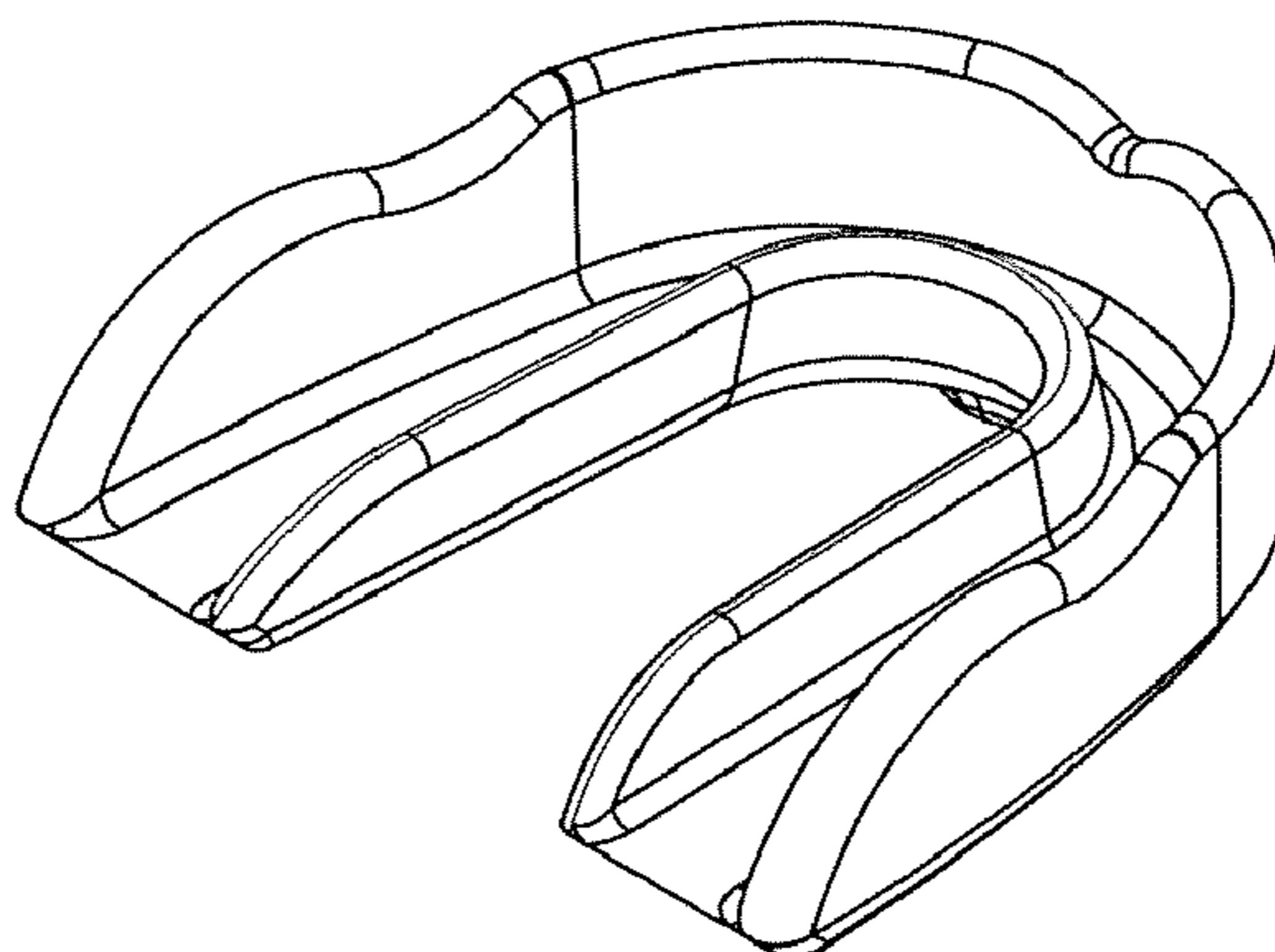
Primary Examiner — Elizabeth J Oswecki
(74) *Attorney, Agent, or Firm* — Hudak, Shunk & Farine Co. LPA

(57) **CLAIM**
The ornamental design for a mouthguard, as shown and described.

DESCRIPTION

FIG. 1 is a right, rear perspective view of a mouthguard showing our new design;
FIG. 2 is a front view thereof;
FIG. 3 is a rear view thereof;
FIG. 4 is a right side view thereof;
FIG. 5 is a left side view thereof;
FIG. 6 is a top view thereof; and,
FIG. 7 is a bottom view thereof.

1 Claim, 1 Drawing Sheet



(56)

References Cited

U.S. PATENT DOCUMENTS

D642,277 S *	7/2011	Farrell	D24/181	D663,486 S	7/2012	Turkbas et al.	
D648,900 S *	11/2011	Manzo	D29/108	D710,506 S *	8/2014	Tolentino et al.	D24/181
8,074,658 B2	12/2011	Kittelsen et al.		2006/0084024 A1 *	4/2006	Farrell	433/6
D652,576 S *	1/2012	Farrell	D29/108	2007/0254256 A1 *	11/2007	Farrell	433/6
D658,813 S *	5/2012	Manzo	D29/108	2010/0051038 A1 *	3/2010	Quigless	128/861
D663,485 S	7/2012	Turkbas et al.		2010/0196837 A1 *	8/2010	Farrell	433/6
				2012/0111343 A1	5/2012	Turkbas et al.	
				2012/0279506 A1	11/2012	Thompson et al.	

* cited by examiner

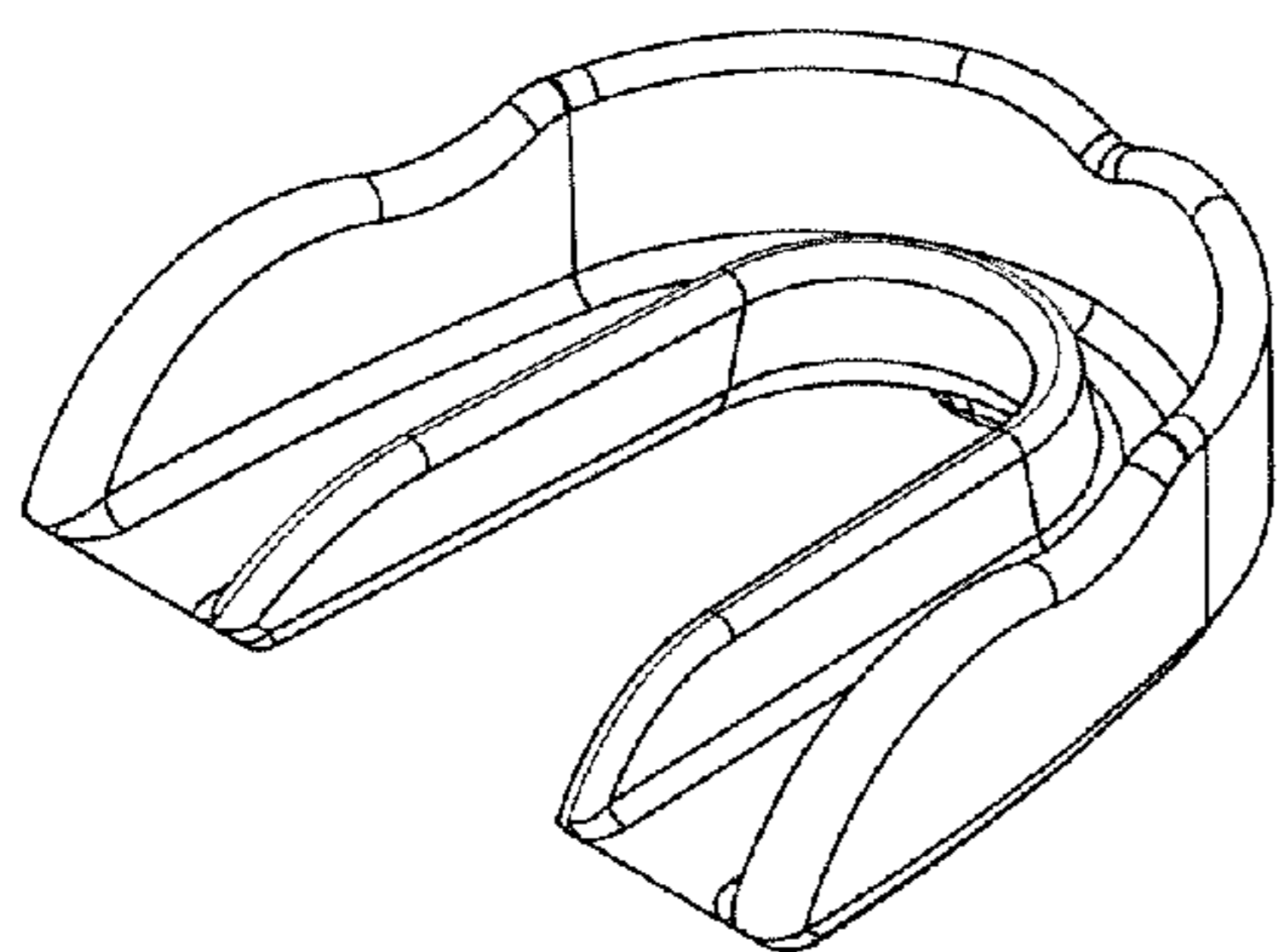


FIG. 1

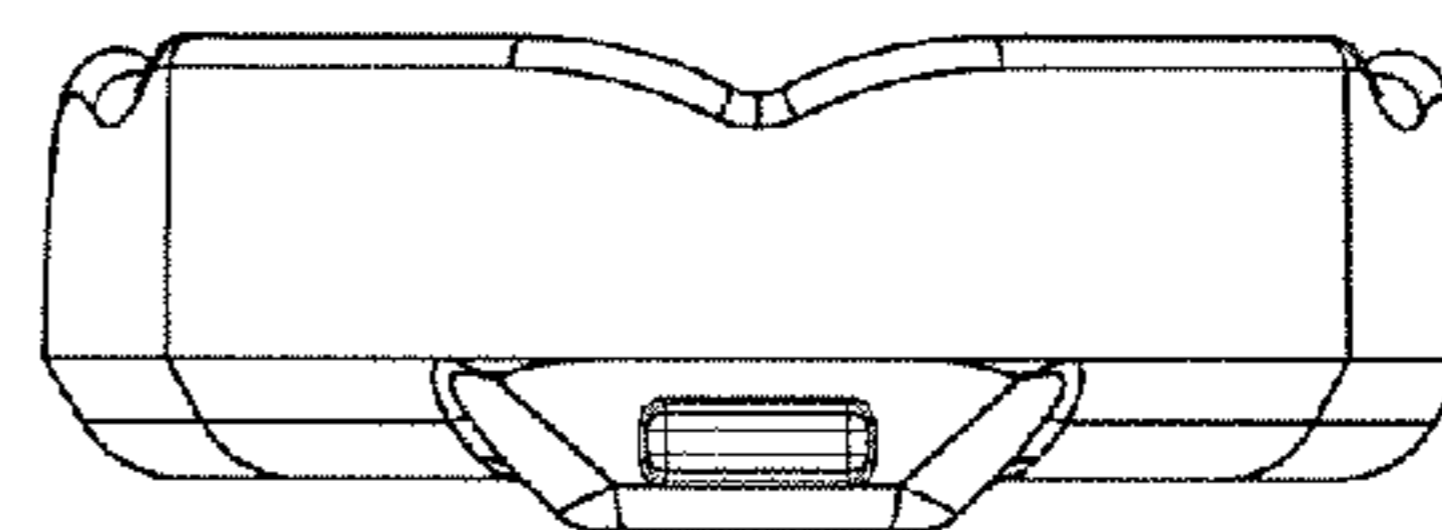


FIG. 2

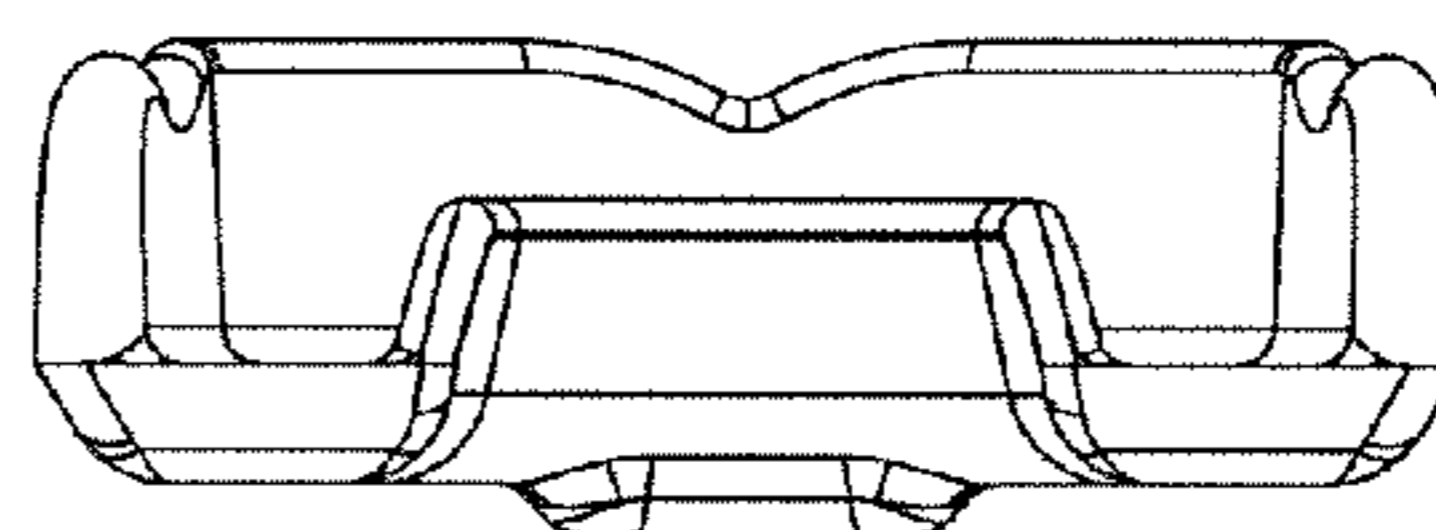


FIG. 3

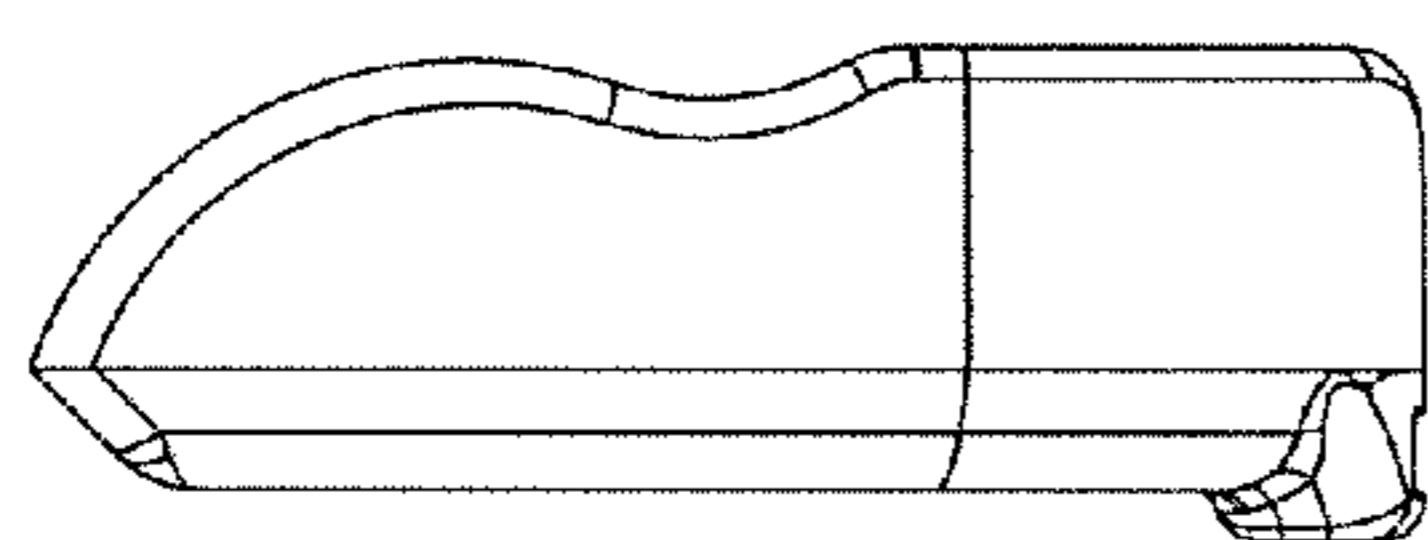


FIG. 4

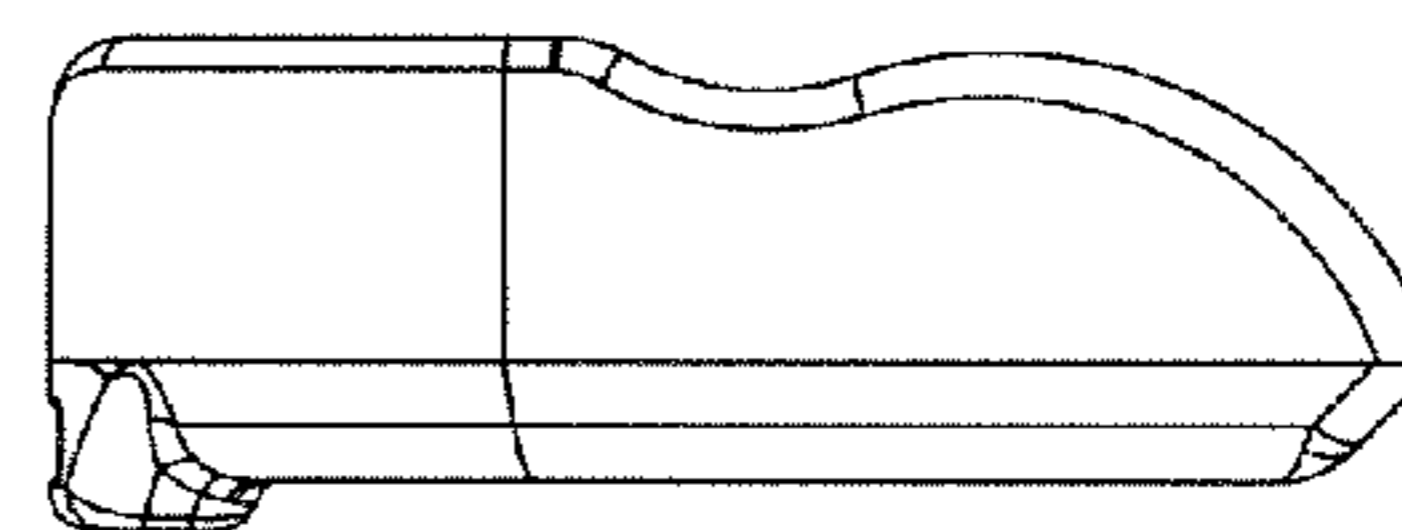


FIG. 5

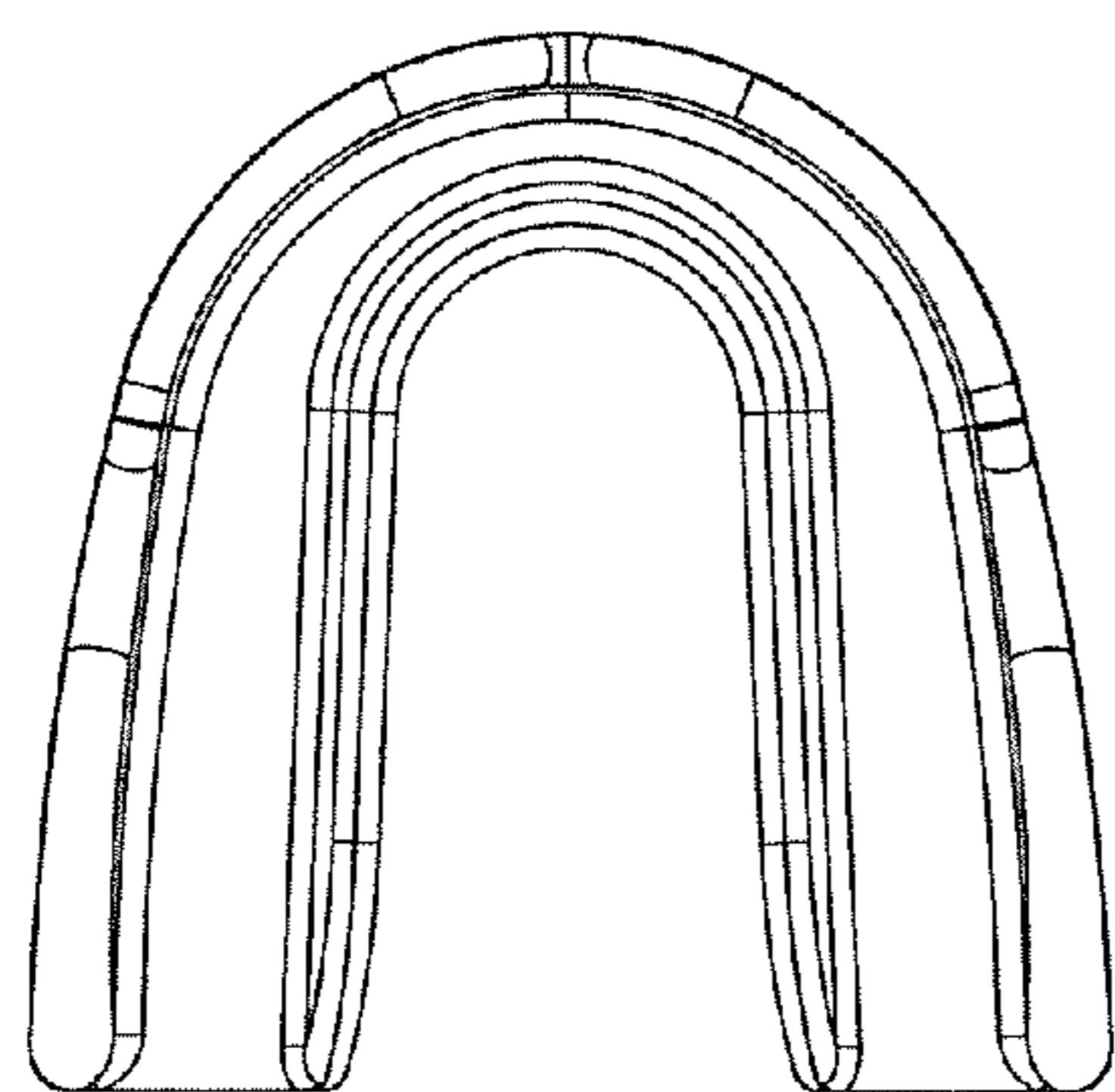


FIG. 6

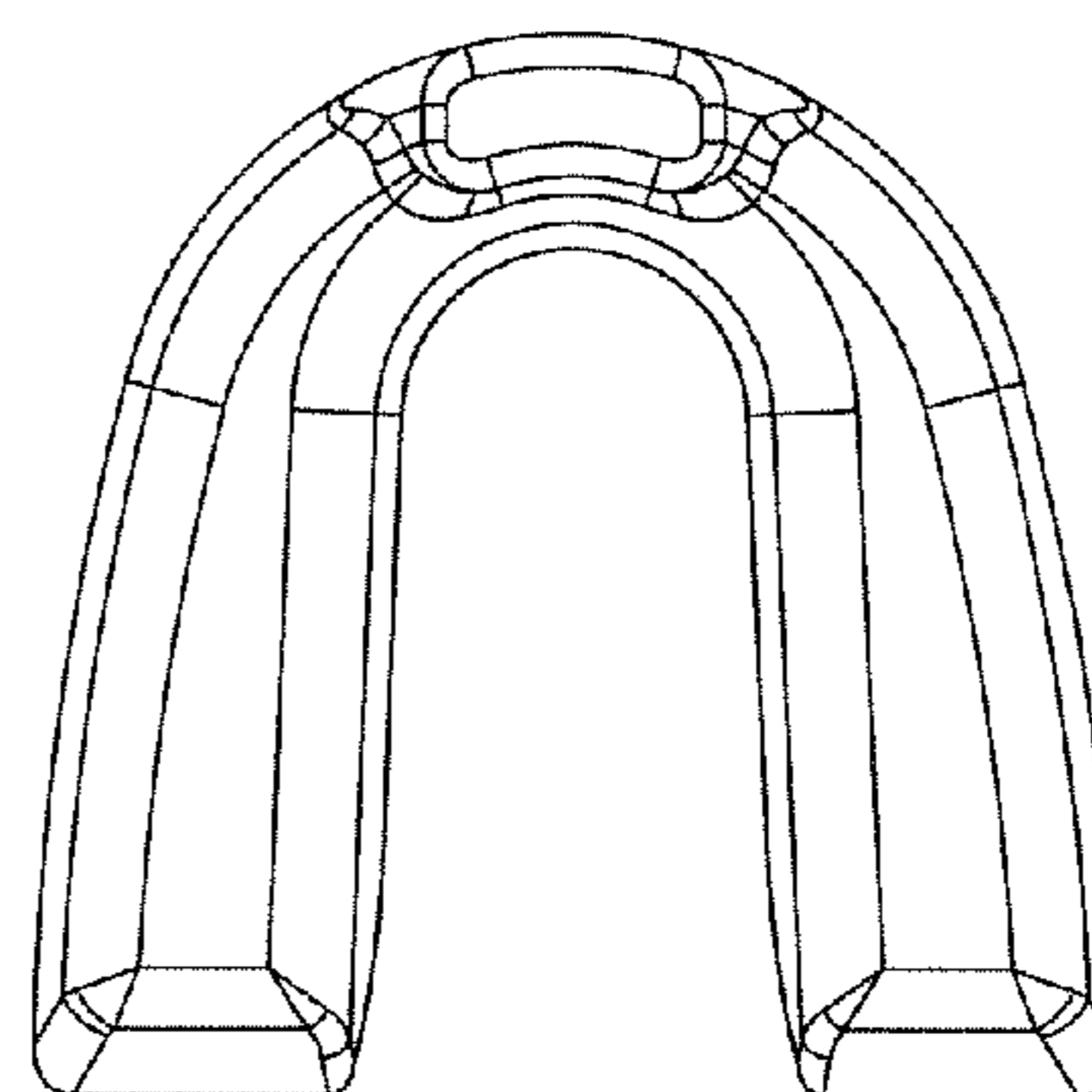


FIG. 7